

US00D975037S

(12) **United States Design Patent**
Greiser et al.

(10) **Patent No.:** **US D975,037 S**

(45) **Date of Patent:** **** Jan. 10, 2023**

(54) **EQUIPMENT FOR DISTRIBUTION OF ELECTRIC POWER**

(71) Applicant: **Beckhoff Automation GmbH, Verl (DE)**

(72) Inventors: **Frank Greiser, Rheda-Wiedenbrück (DE); Hans Beckhoff, Verl (DE)**

(**) Term: **15 Years**

(21) Appl. No.: **35/515,104**

(22) Filed: **May 18, 2022**

(80) **Hague Agreement Data**

Int. Filing Date: **May 18, 2022**

Int. Reg. No.: **DM/223144**

Int. Reg. Date: **May 18, 2022**

Int. Reg. Pub. Date: **Sep. 9, 2022**

(51) **LOC (14) Cl.** **13-03**

(52) **U.S. Cl.**
USPC **D13/162.1**

(58) **Field of Classification Search**

USPC **D13/123, 162, 162.1, 184; D14/240, 358**

CPC **G05B 9/02; G05B 19/05; G05B 19/054;**

G05B 19/056; G06F 1/182; G06F 1/183;

H05K 7/1462; H05K 7/1467; H05K

7/1474

See application file for complete search history.

(56) **References Cited**

U.S. PATENT DOCUMENTS

D573,945 S * 7/2008 Park D13/110

D621,351 S * 8/2010 Huang D13/110

D733,665 S * 7/2015 Ringer D13/162.1

D735,145 S * 7/2015 Liu D13/162.1

D803,280 S * 11/2017 Suzuki D15/138

D868,006 S * 11/2019 Ueda D13/162.1

D922,365 S * 6/2021 Liu D14/240

* cited by examiner

Primary Examiner — Michael A. Pratt

(57) **CLAIM**

The ornamental design for the equipment for distribution of electric power, as shown and described.

DESCRIPTION

1. Equipment for distribution of electric power

1.1 : Perspective top view

1.2 : Perspective rear view

1.3 : Right

1.4 : Front

1.5 : Back

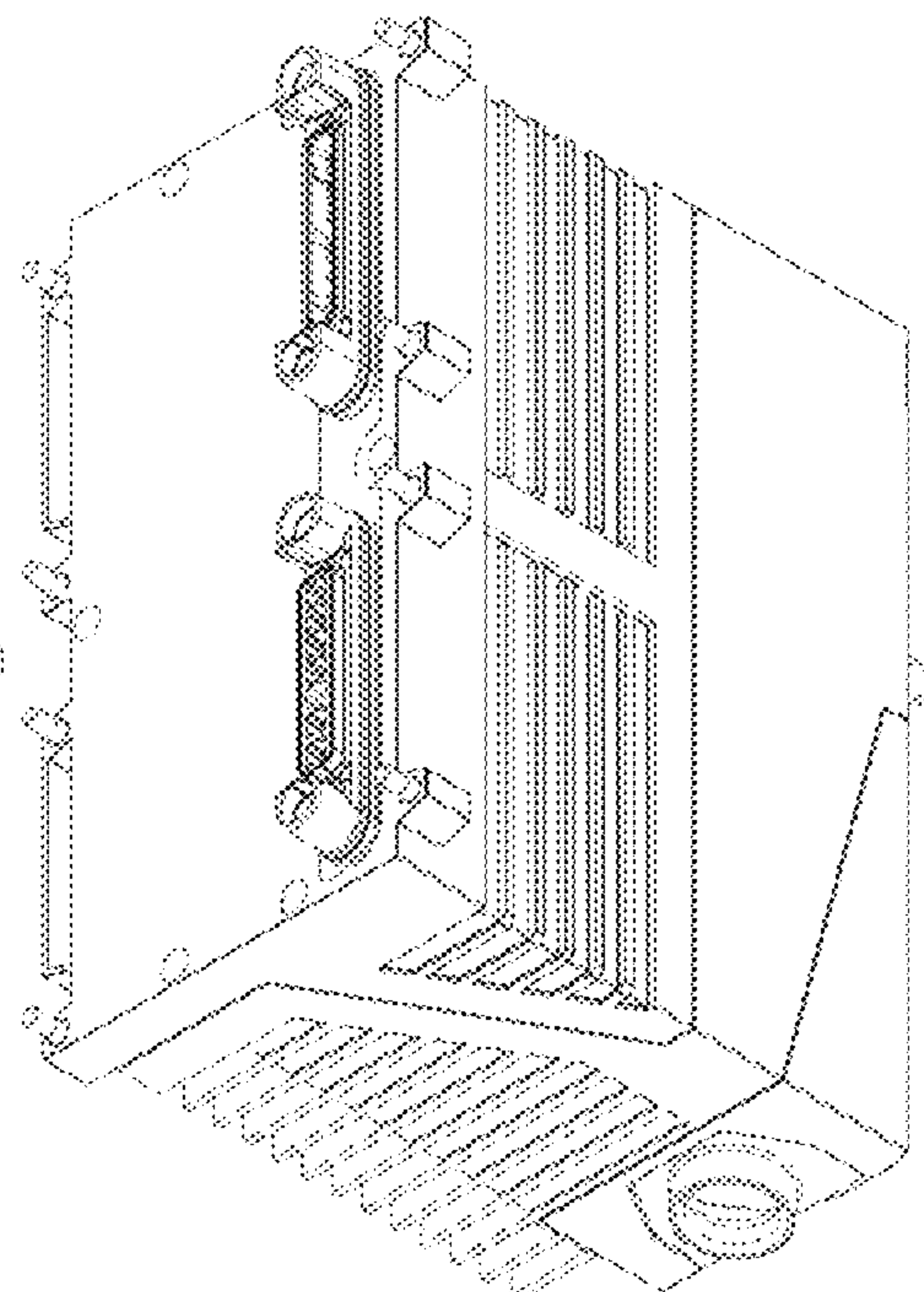
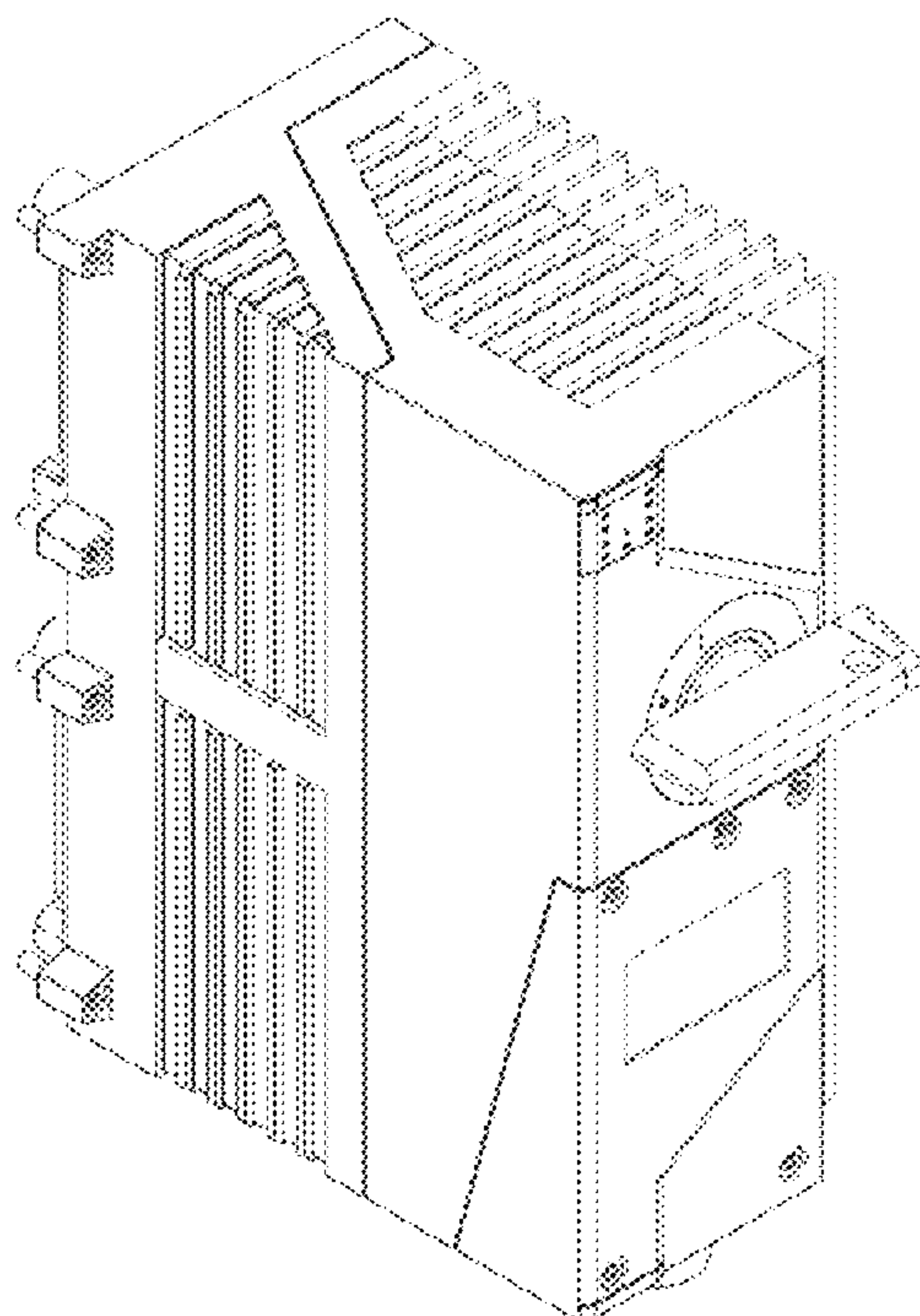
1.6 : Top

1.7 : Rear view

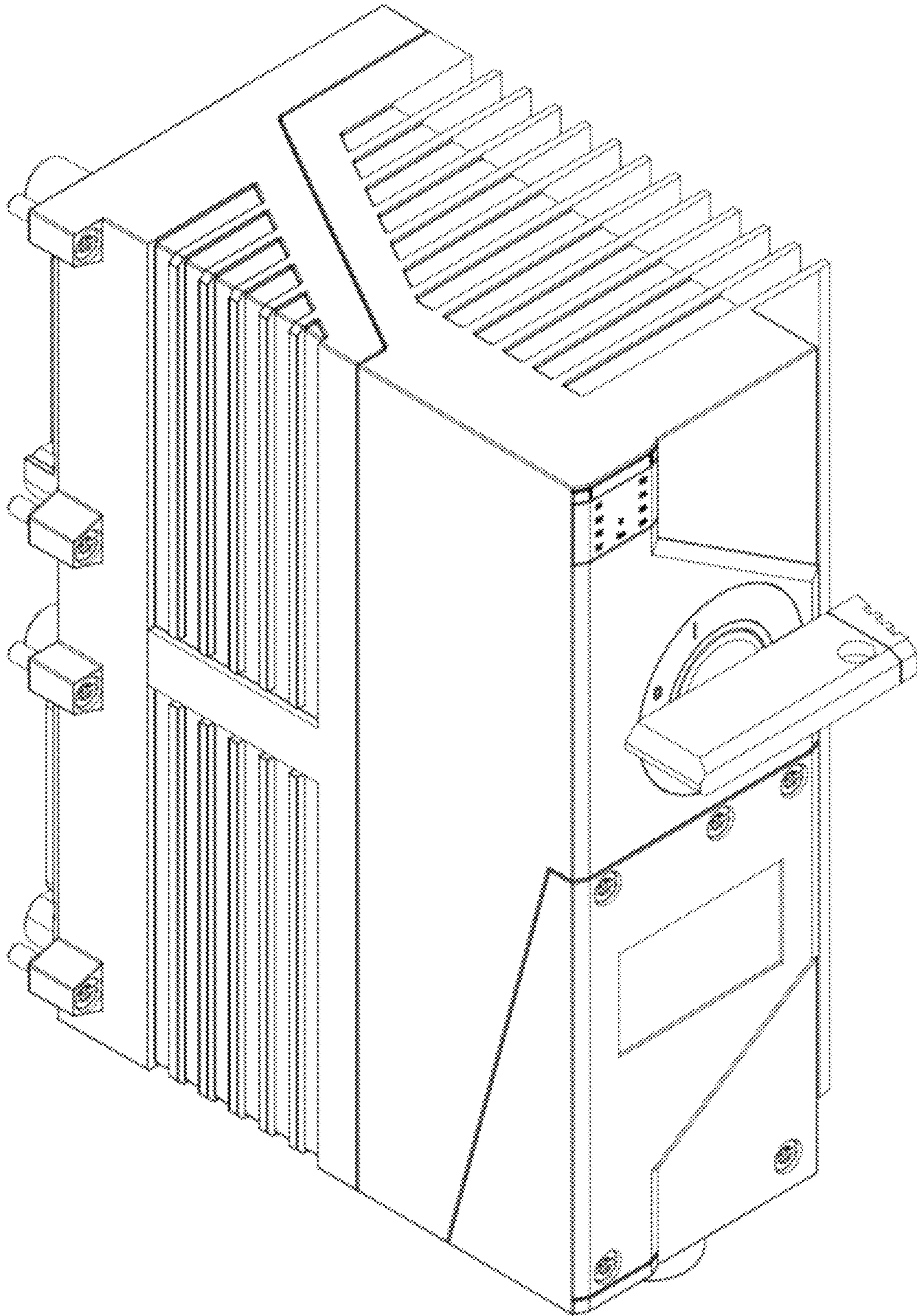
1.8 : Left

1.1: Perspective top view of a function module of a modular equipment for distribution of electric power and data signals; **1.2:** Perspective rear view of the function module; **1.3:** Right view of the function module; **1.4:** Front view of the function module; **1.5:** Back view of the function module; **1.6:** Top view of the function module; **1.7:** Rear view of the function module; **1.8:** Left view of the function module; the function module can be plugged onto a baseplate of a modular equipment for distribution of electric power and data signals as a rear panel and then screwed in place using captive screws located in the baseplate.

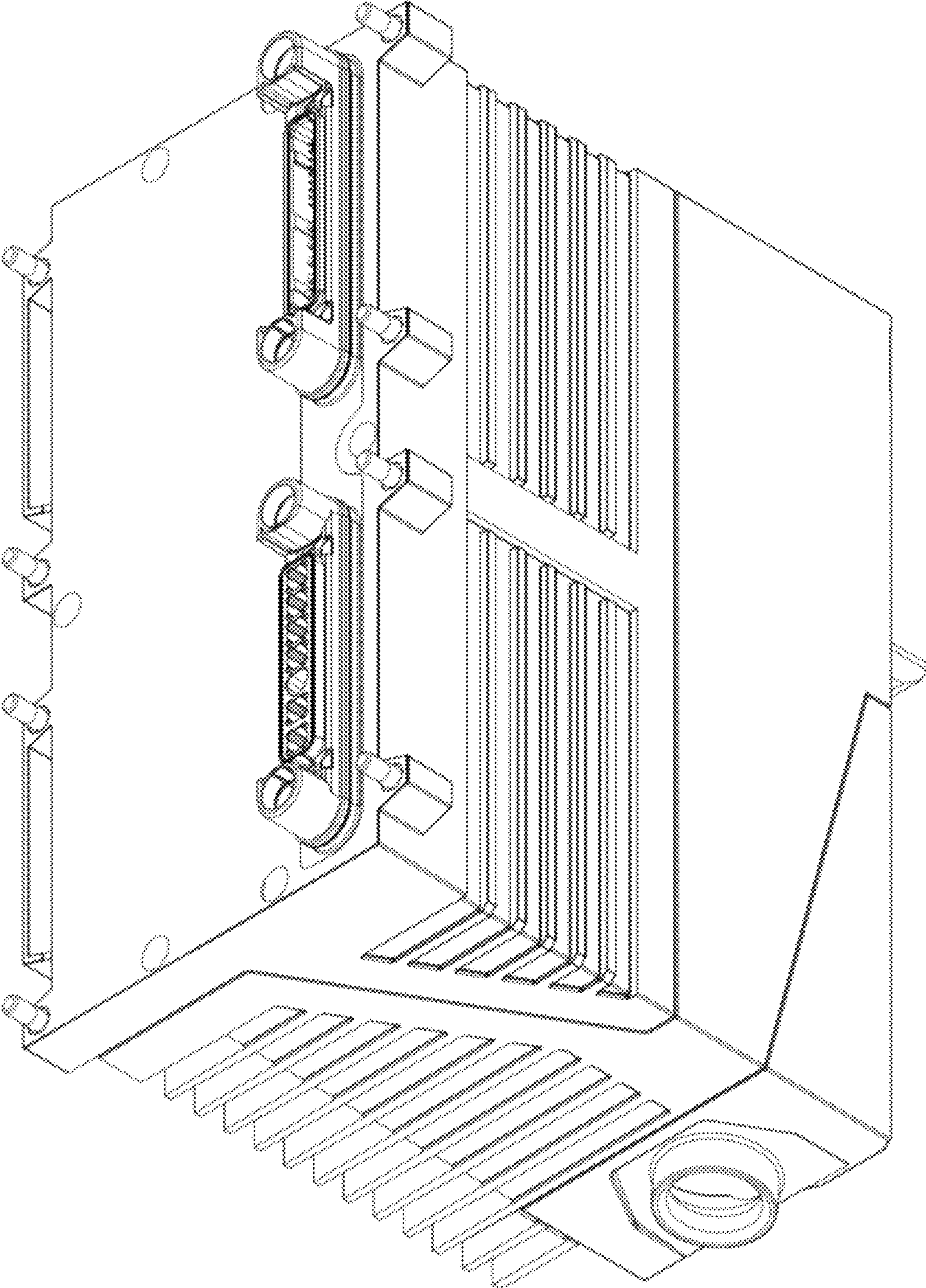
1 Claim, 8 Drawing Sheets



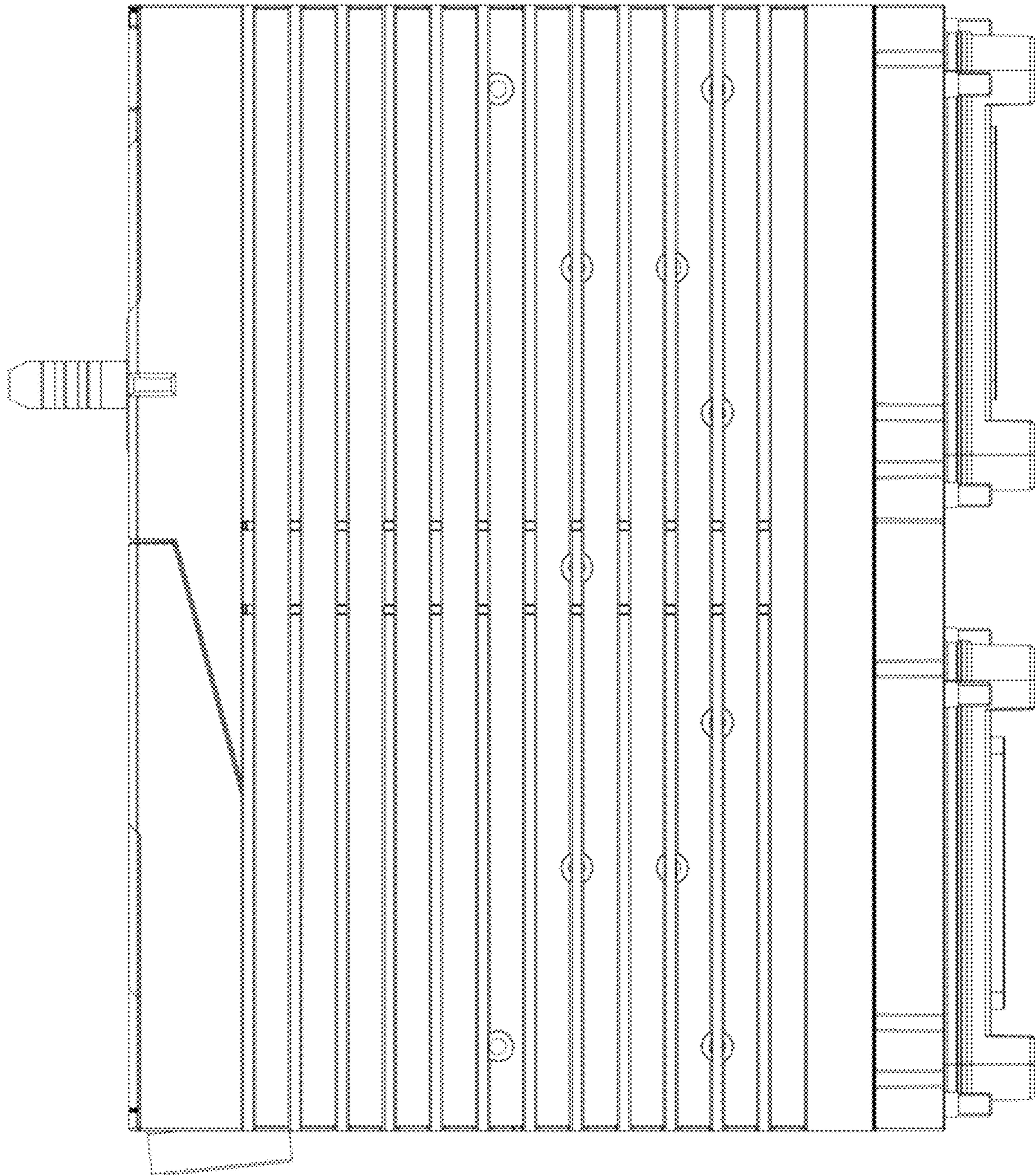
1.1



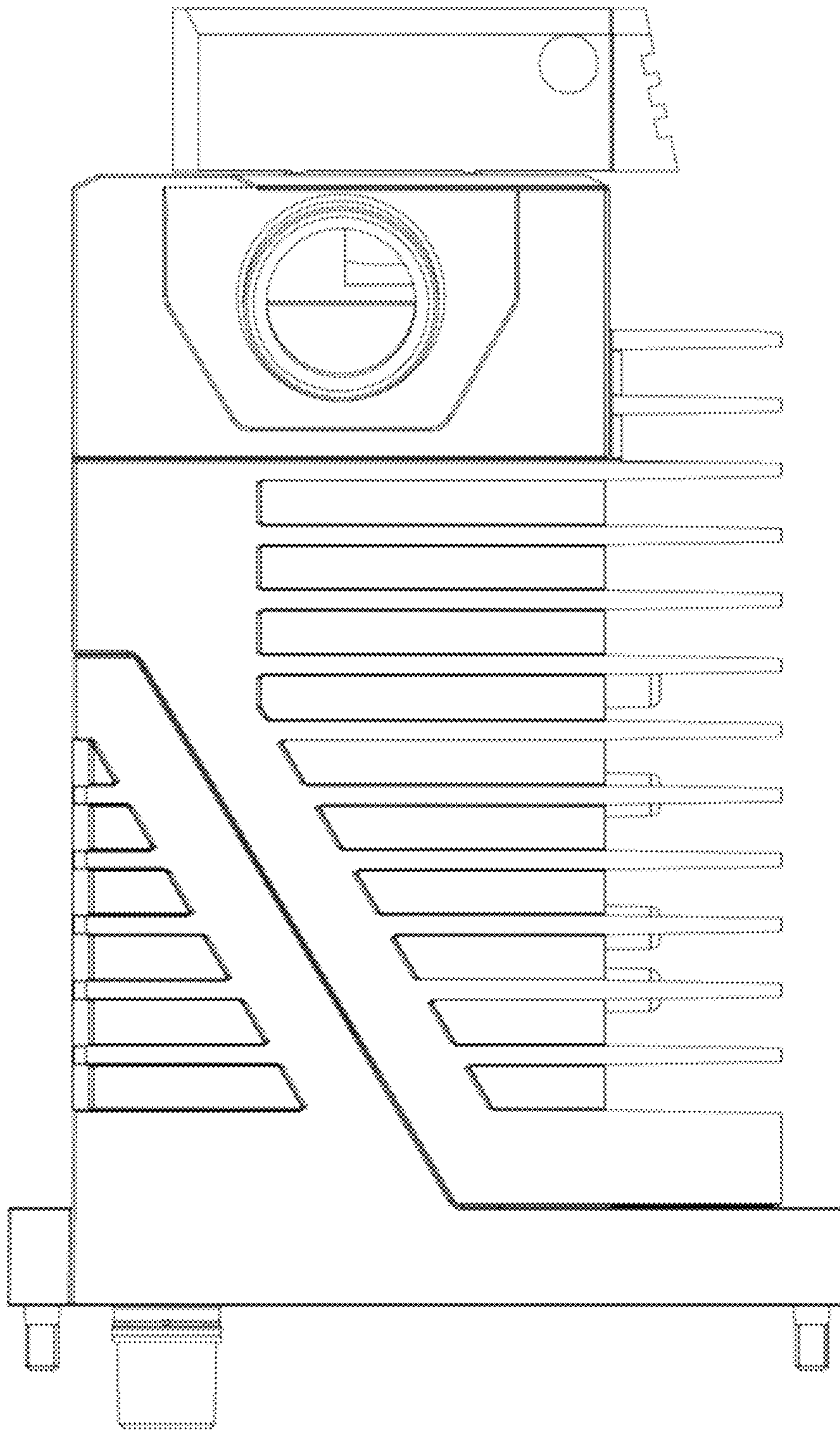
1.2



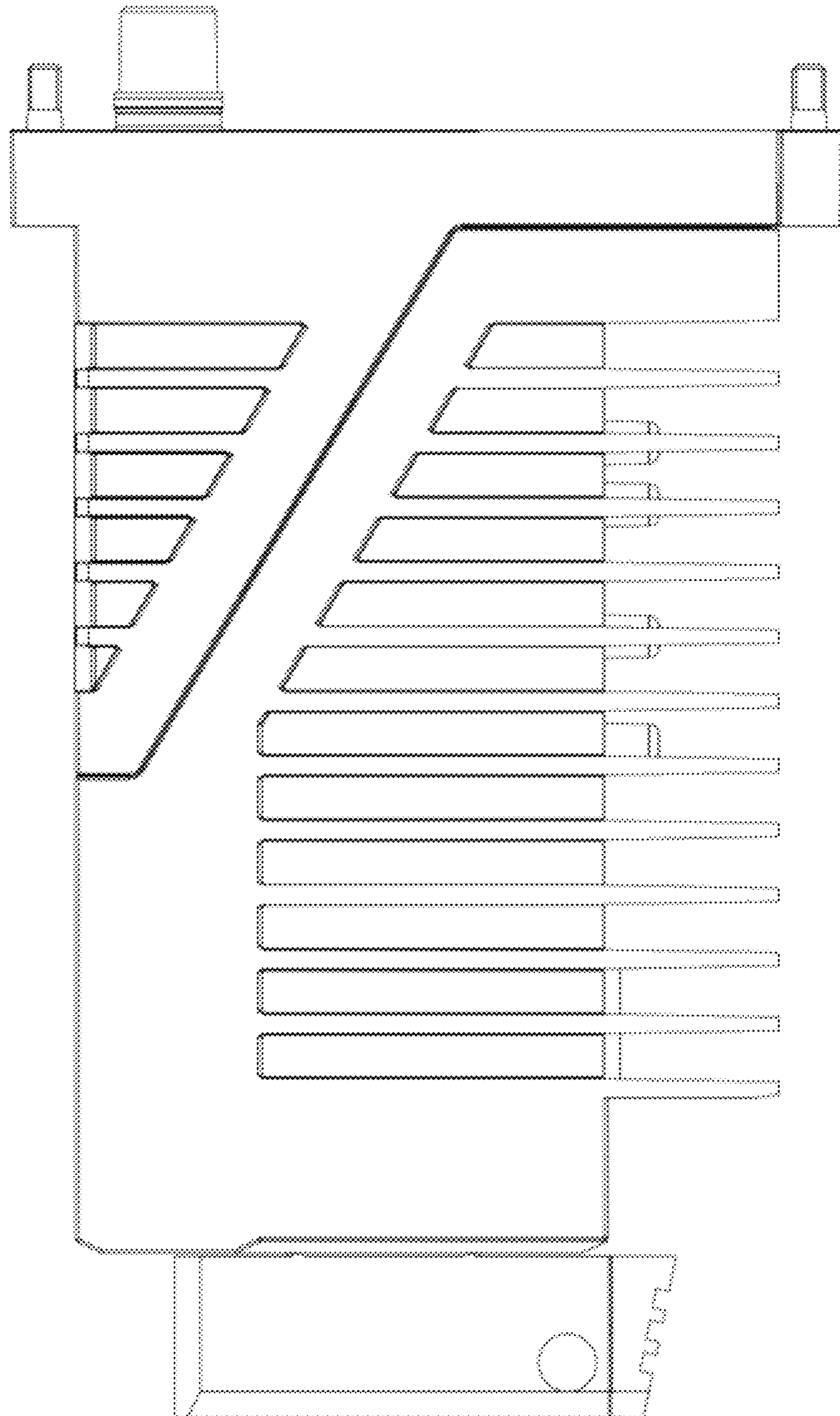
1.3



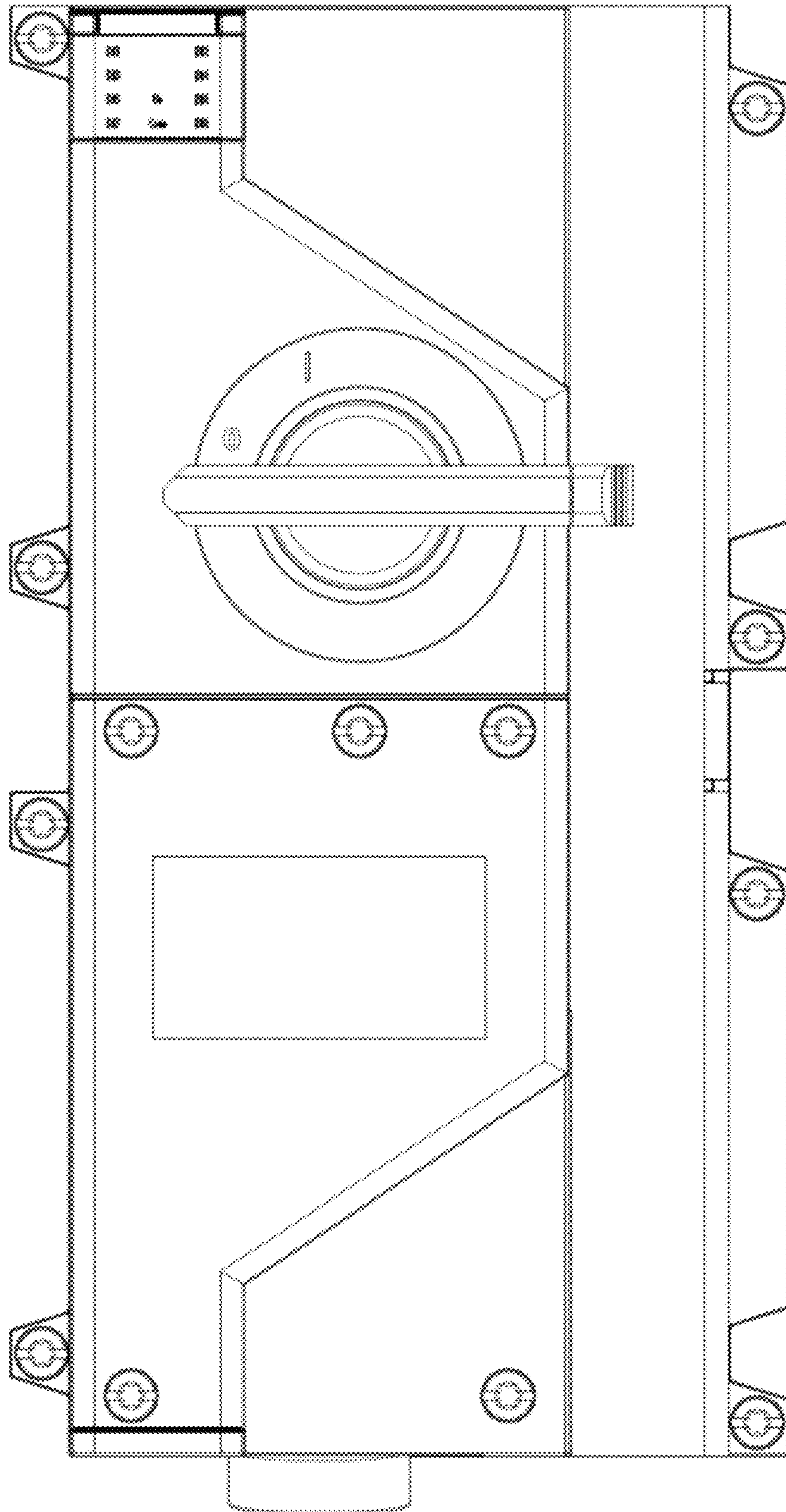
1.4



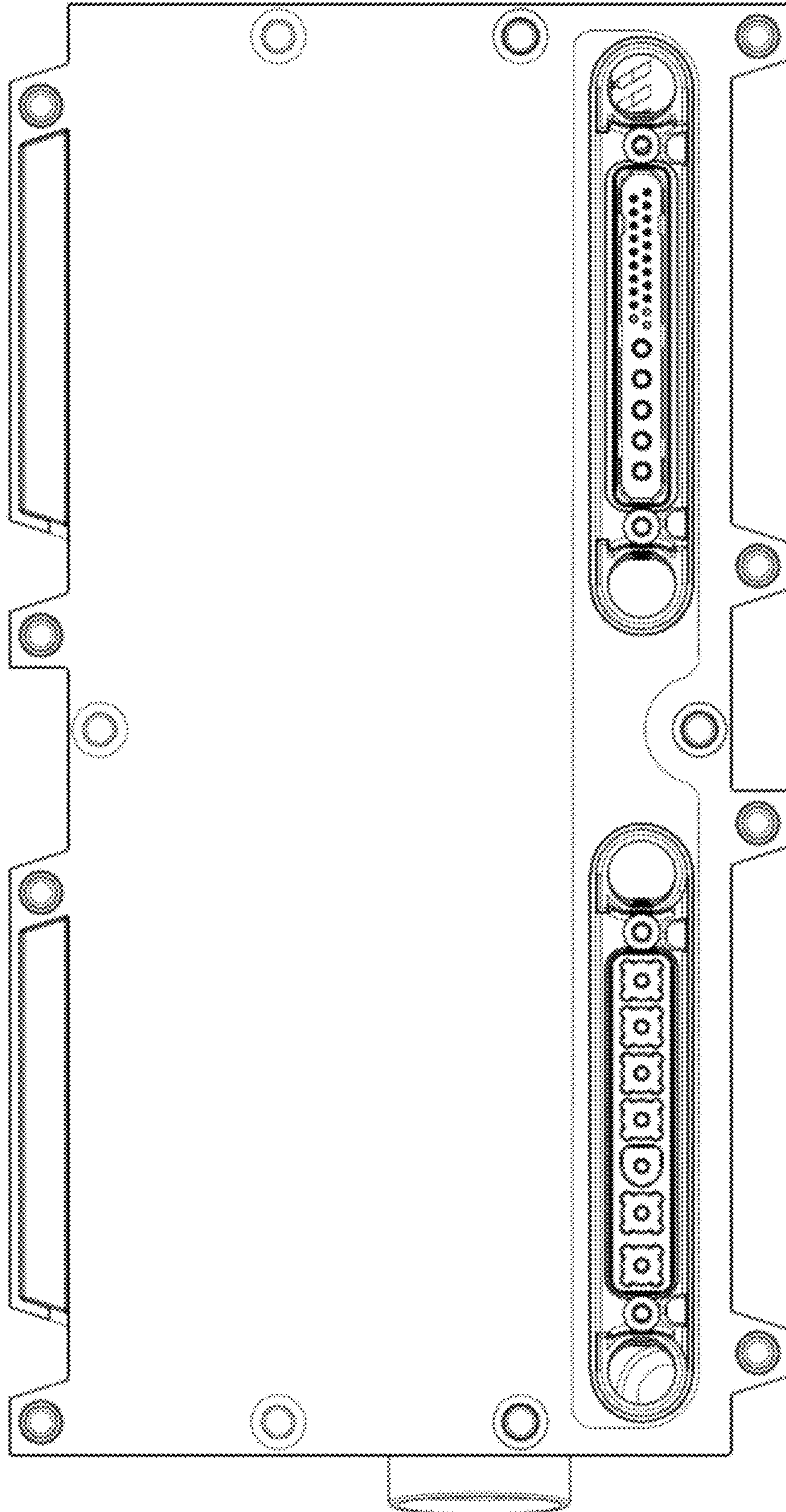
1.5



1.6



1.7



1.8

