



US00D975035S

(12) **United States Design Patent**  
**Greiser et al.**

(10) **Patent No.:** **US D975,035 S**

(45) **Date of Patent:** **\*\* Jan. 10, 2023**

(54) **EQUIPMENT FOR DISTRIBUTION OF ELECTRIC POWER**

(71) Applicant: **Beckhoff Automation GmbH, Verl (DE)**

(72) Inventors: **Frank Greiser, Rheda-Wiedenbrück (DE); Hans Beckhoff, Verl (DE)**

(\*\*) Term: **15 Years**

(21) Appl. No.: **35/515,100**

(22) Filed: **May 18, 2022**

(80) **Hague Agreement Data**

Int. Filing Date: **May 18, 2022**

Int. Reg. No.: **DM/223142**

Int. Reg. Date: **May 18, 2022**

Int. Reg. Pub. Date: **Sep. 9, 2022**

(51) **LOC (14) Cl.** ..... **13-03**

(52) **U.S. Cl.**  
USPC ..... **D13/162.1**

(58) **Field of Classification Search**

USPC .... D13/123, 162, 162.1, 184; D14/240, 358

CPC ..... G05B 9/02; G05B 19/05; G05B 19/054;  
G05B 19/056; G06F 1/182; G06F 1/183;  
H05K 7/1462; H05K 7/1467; H05K  
7/1474

See application file for complete search history.

(56) **References Cited**

**U.S. PATENT DOCUMENTS**

D573,945 S \* 7/2008 Park ..... D13/110  
D621,351 S \* 8/2010 Huang ..... D13/110  
D733,665 S \* 7/2015 Ringer ..... D13/162.1

D735,145 S \* 7/2015 Liu ..... D13/162.1  
D803,280 S \* 11/2017 Suzuki ..... D15/138  
D868,006 S \* 11/2019 Ueda ..... D13/162.1  
D922,365 S \* 6/2021 Liu ..... D14/240

\* cited by examiner

*Primary Examiner* — Michael A. Pratt

(57) **CLAIM**

The ornamental design for the equipment for distribution of electric power, as shown and described.

**DESCRIPTION**

1. Equipment for distribution of electric power

1.1 : Perspective top view

1.2 : Perspective rear view

1.3 : Right

1.4 : Front

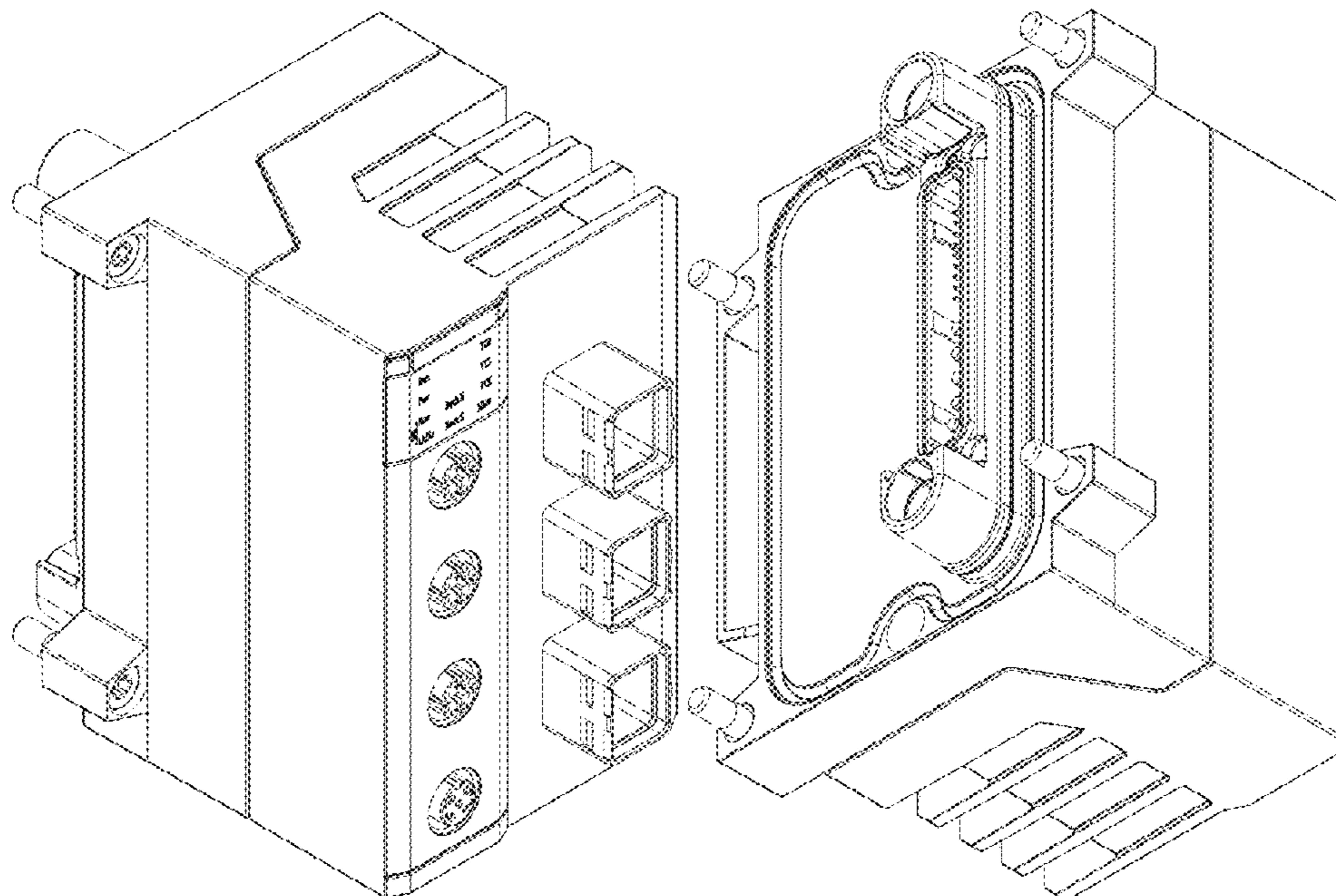
1.5 : Back

1.6 : Top

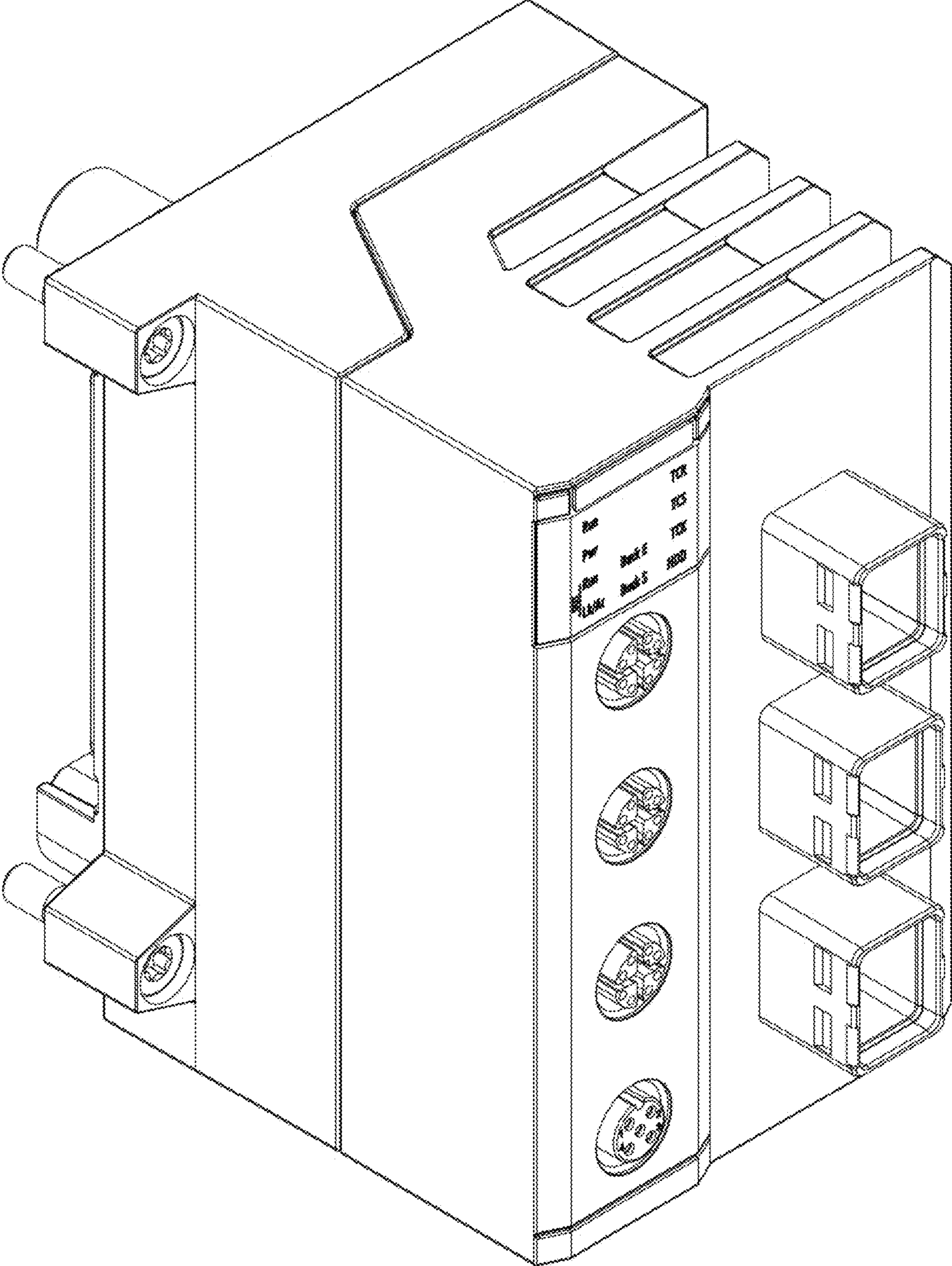
1.7 : Rear view

1.8 : Left  
1.1: Perspective top view of a equipment for distribution of electric power of a modular equipment for distribution of electric power and data signals; 1.2: Perspective rear view of the equipment for distribution of electric power; 1.3: Right view of the equipment for distribution of electric power; 1.4: Front view of the equipment for distribution of electric power; 1.5: Back view of the equipment for distribution of electric power; 1.6: Top view of the equipment for distribution of electric power; 1.7: Rear view of the equipment for distribution of electric power; 1.8: Left view of the equipment for distribution of electric power; the equipment for distribution of electric power can be plugged onto a baseplate of a modular equipment for distribution of electric power and data signals as a rear panel and then screwed in place using captive screws located in the baseplate.

**1 Claim, 8 Drawing Sheets**

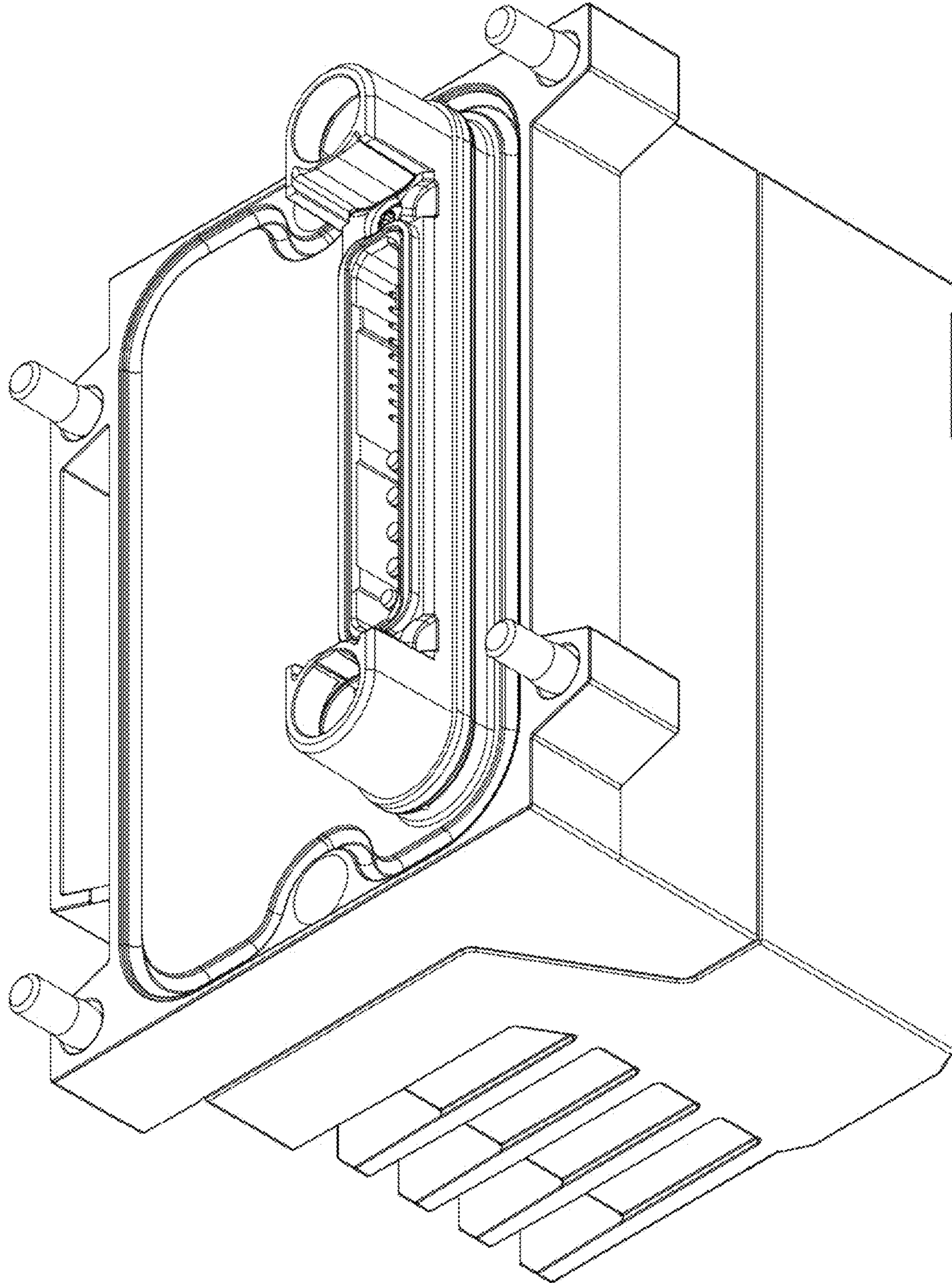


1.1

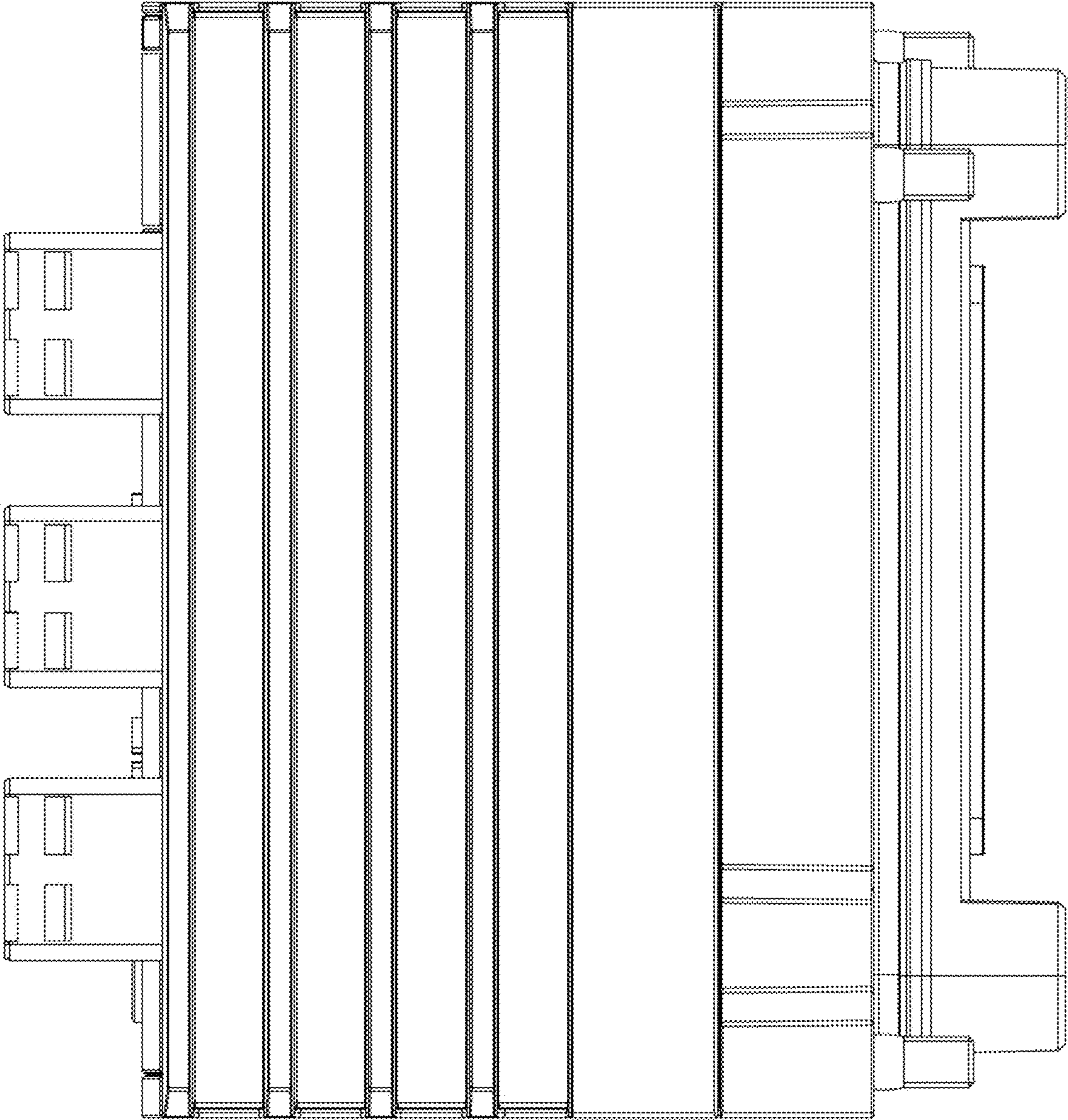




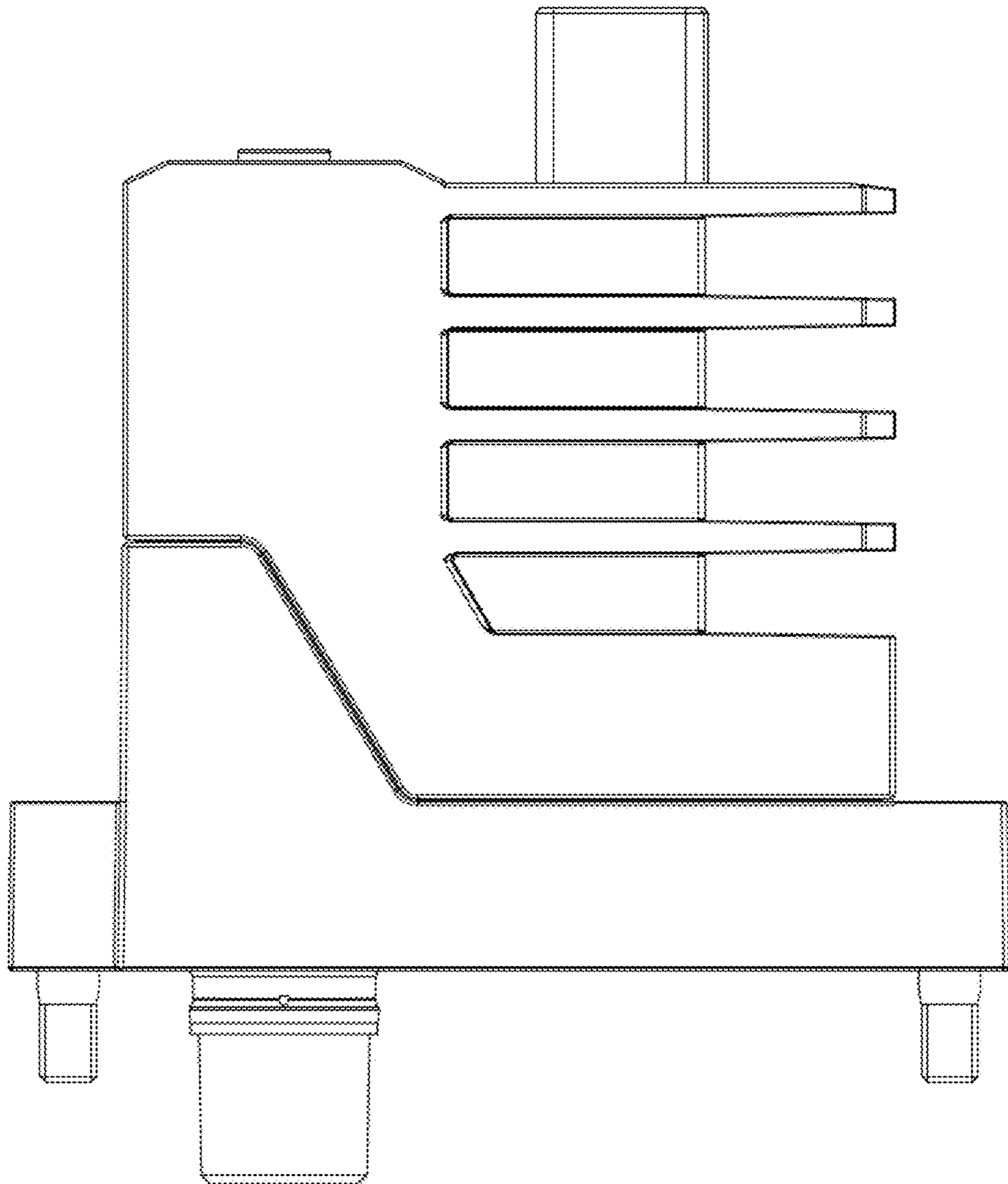
1.2



1.3

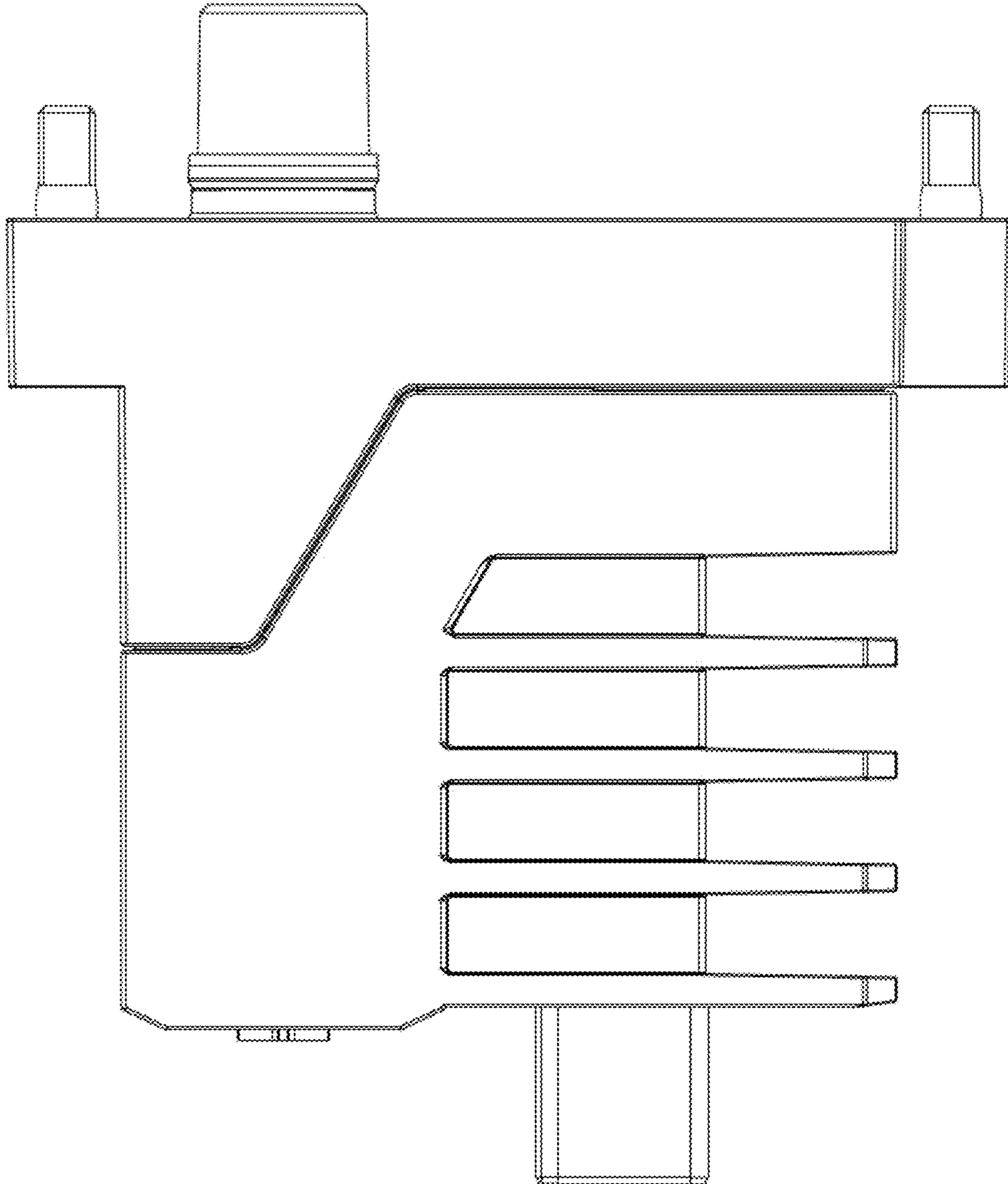


1.4

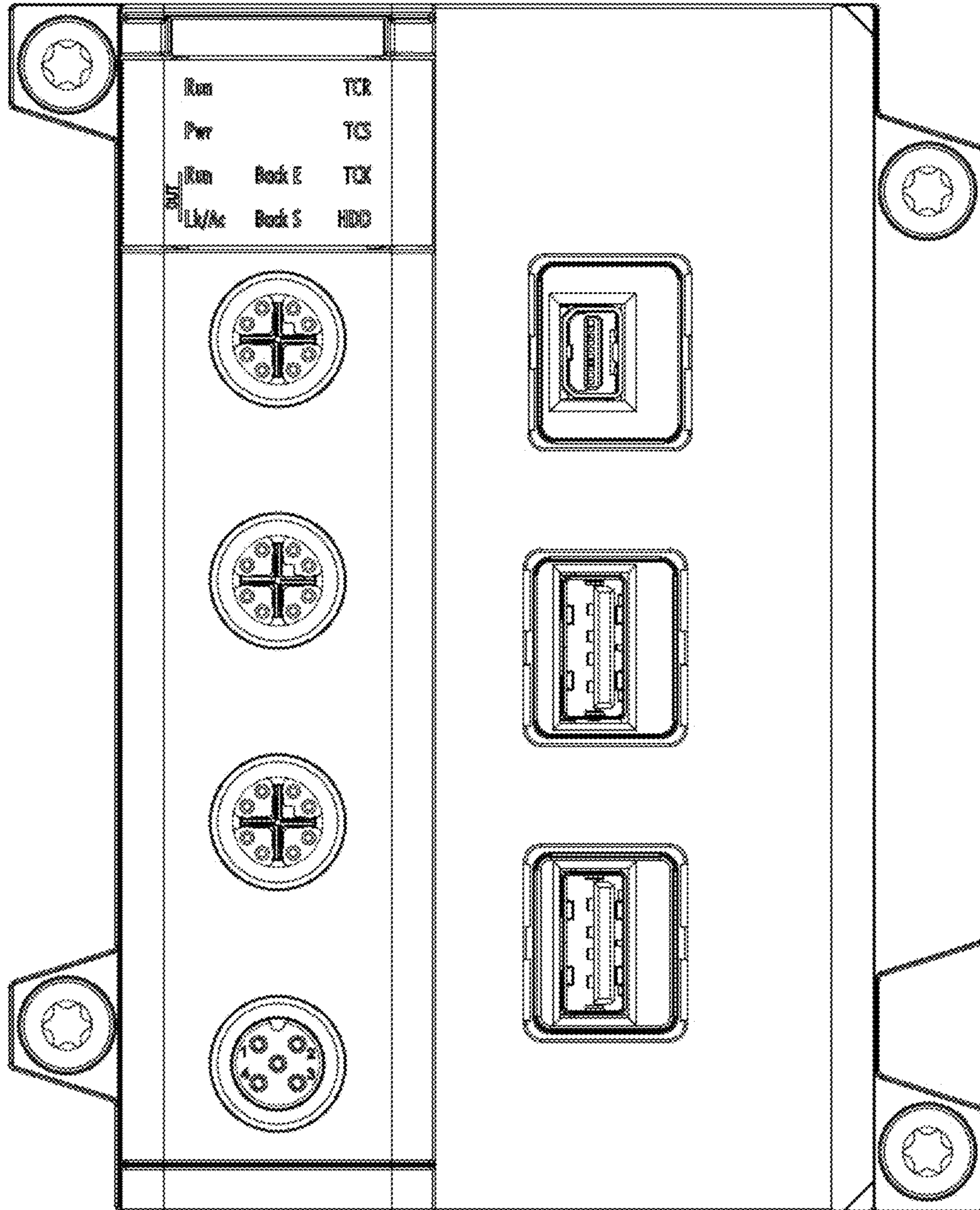




1.5

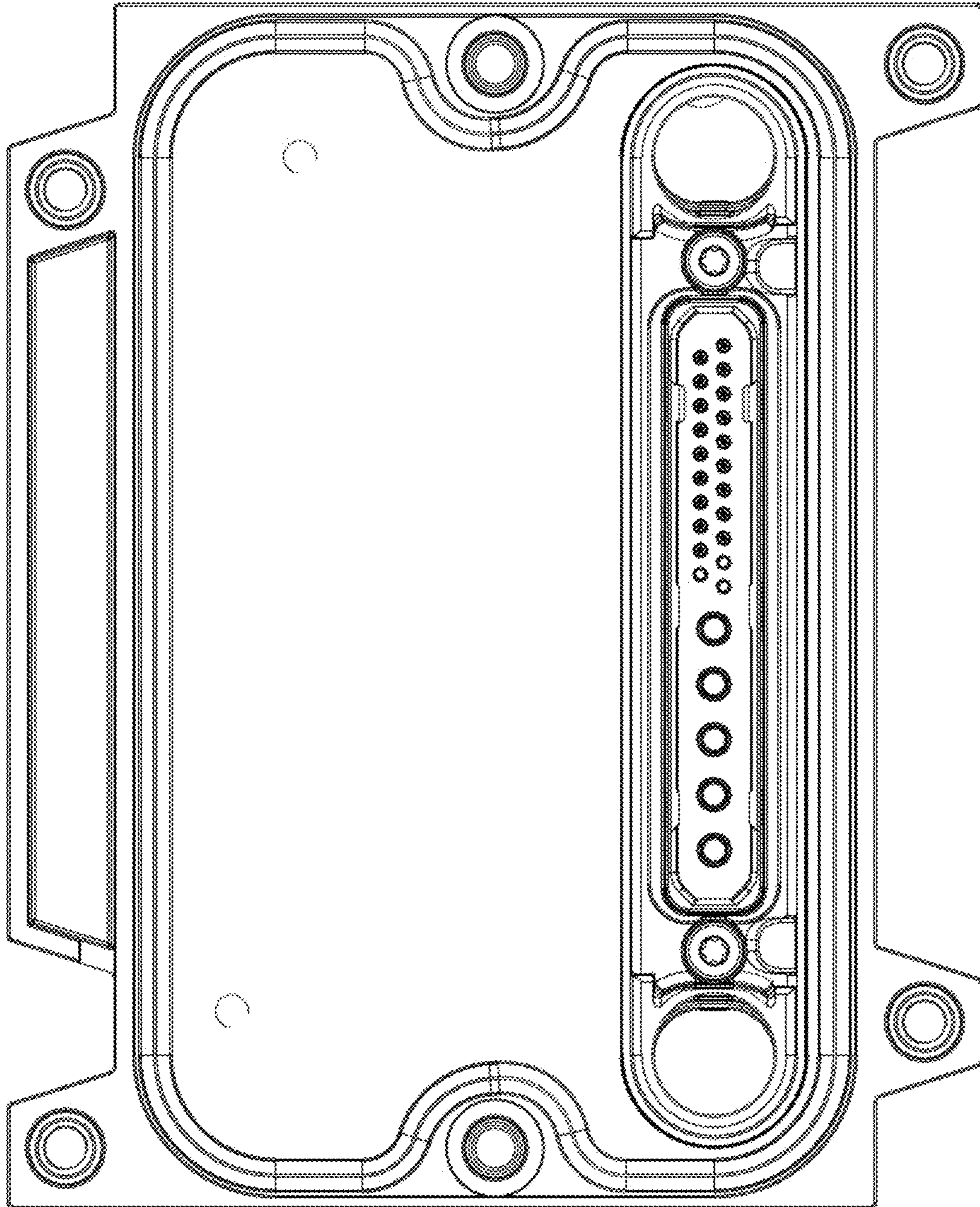


1.6





1.7





1.8

