



US00D975034S

(12) **United States Design Patent**
Greiser et al.

(10) **Patent No.:** **US D975,034 S**

(45) **Date of Patent:** **** Jan. 10, 2023**

(54) **EQUIPMENT FOR DISTRIBUTION OF ELECTRIC POWER**

(71) Applicant: **Beckhoff Automation GmbH, Verl (DE)**

(72) Inventors: **Frank Greiser, Rheda-Wiedenbrück (DE); Hans Beckhoff, Verl (DE)**

(**) Term: **15 Years**

(21) Appl. No.: **35/515,093**

(22) Filed: **May 18, 2022**

(80) **Hague Agreement Data**

Int. Filing Date: **May 18, 2022**

Int. Reg. No.: **DM/223148**

Int. Reg. Date: **May 18, 2022**

Int. Reg. Pub. Date: **Sep. 9, 2022**

(51) **LOC (14) Cl.** **13-03**

(52) **U.S. Cl.**
USPC **D13/162.1**

(58) **Field of Classification Search**
USPC D13/123, 162, 162.1, 184; D14/240, 358
CPC G05B 9/02; G05B 19/05; G05B 19/054;
G05B 19/056; G06F 1/182; G06F 1/183;
H05K 7/1462; H05K 7/1467; H05K
7/1474

See application file for complete search history.

(56) **References Cited**

U.S. PATENT DOCUMENTS

D600,213 S * 9/2009 Inoue D13/133
D692,397 S * 10/2013 Liu D13/162.1

D733,665 S * 7/2015 Ringer D13/162.1
D738,829 S * 9/2015 Cech D13/162
D776,625 S * 1/2017 Geitner D13/159
D857,636 S * 8/2019 Ueda D13/162.1
D869,404 S * 12/2019 Ueda D13/162.1
D904,317 S * 12/2020 Choi D13/162.1
D922,365 S * 6/2021 Liu D14/240

* cited by examiner

Primary Examiner — Michael A. Pratt

(57) **CLAIM**

The ornamental design for the equipment for distribution of electric power, as shown and described.

DESCRIPTION

1. Equipment for distribution of electric power

1.1 : Perspective top view

1.2 : Perspective rear view

1.3 : Right

1.4 : Front

1.5 : Back

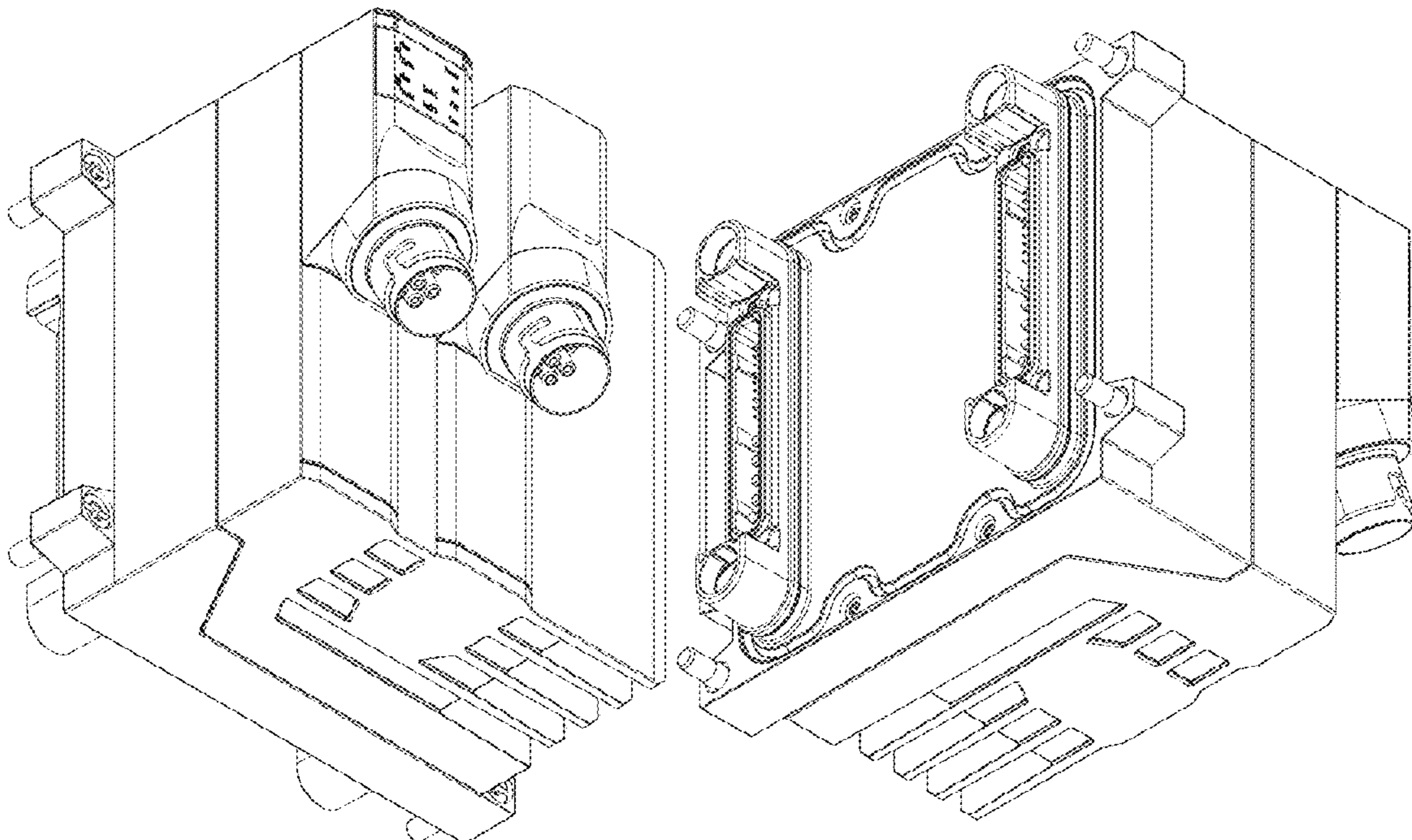
1.6 : Top

1.7 : Rear view

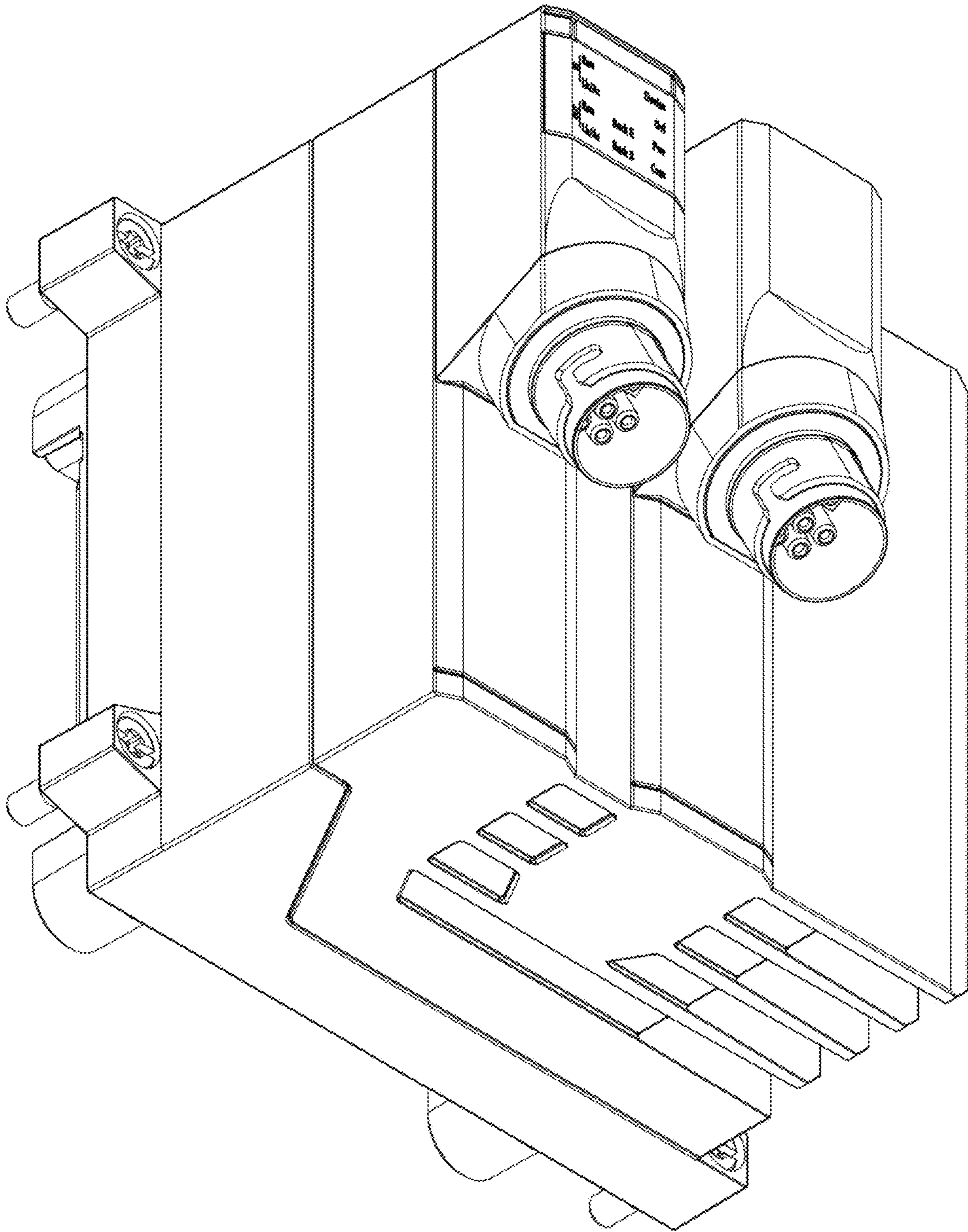
1.8 : Left

1.1: Perspective top view of a function module of a modular equipment for distribution of electric power and data signals; 1.2: Perspective rear view of the function module; 1.3: Right view of the function module; 1.4: Front view of the function module; 1.5: Back view of the function module; 1.6: Top view of the function module; 1.7: Rear view of the function module; 1.8: Left view of the function module; the function module can be plugged onto a baseplate of a modular equipment for distribution of electric power and data signals as a rear panel and then screwed in place using captive screws located in the baseplate.

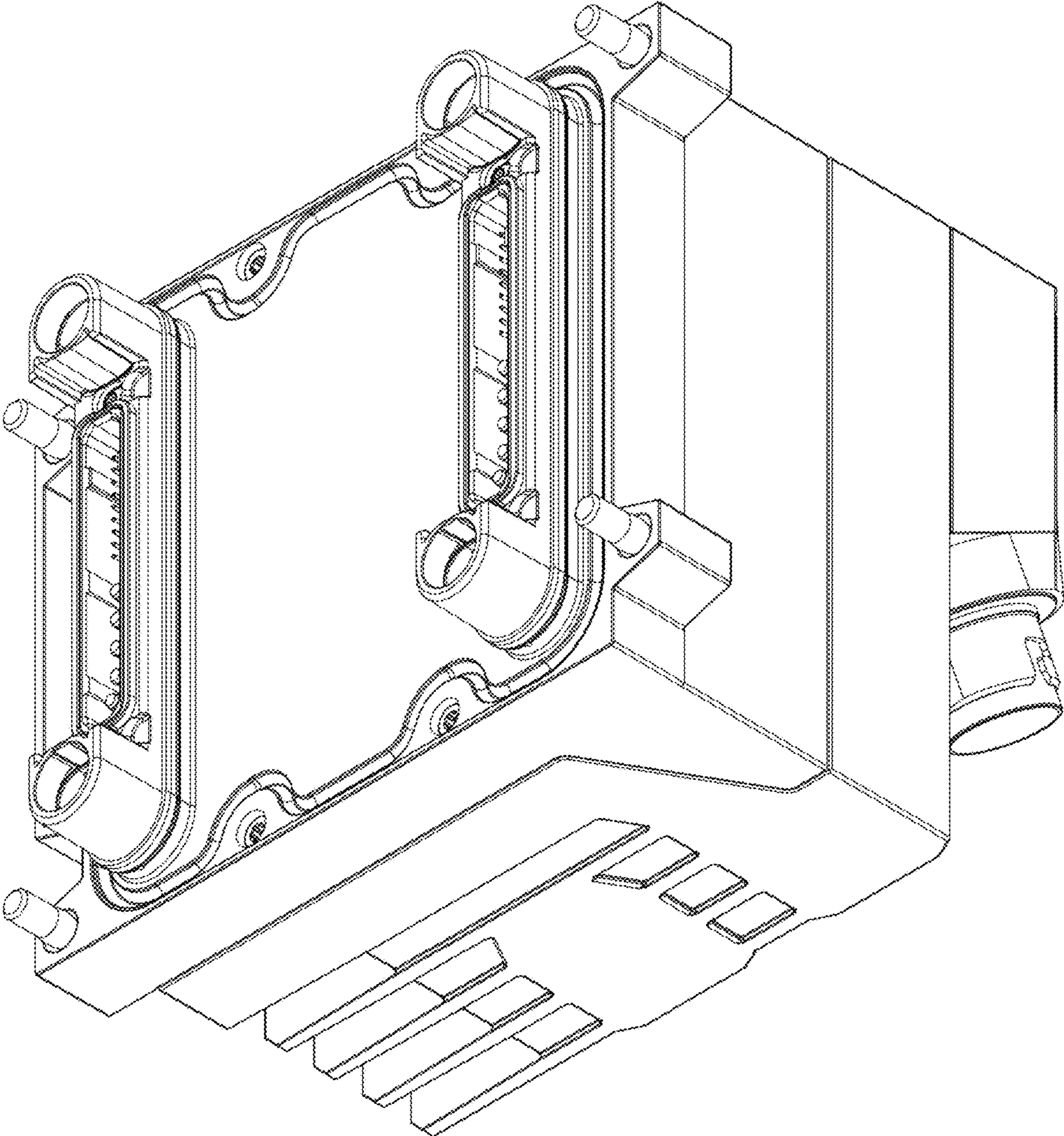
1 Claim, 8 Drawing Sheets



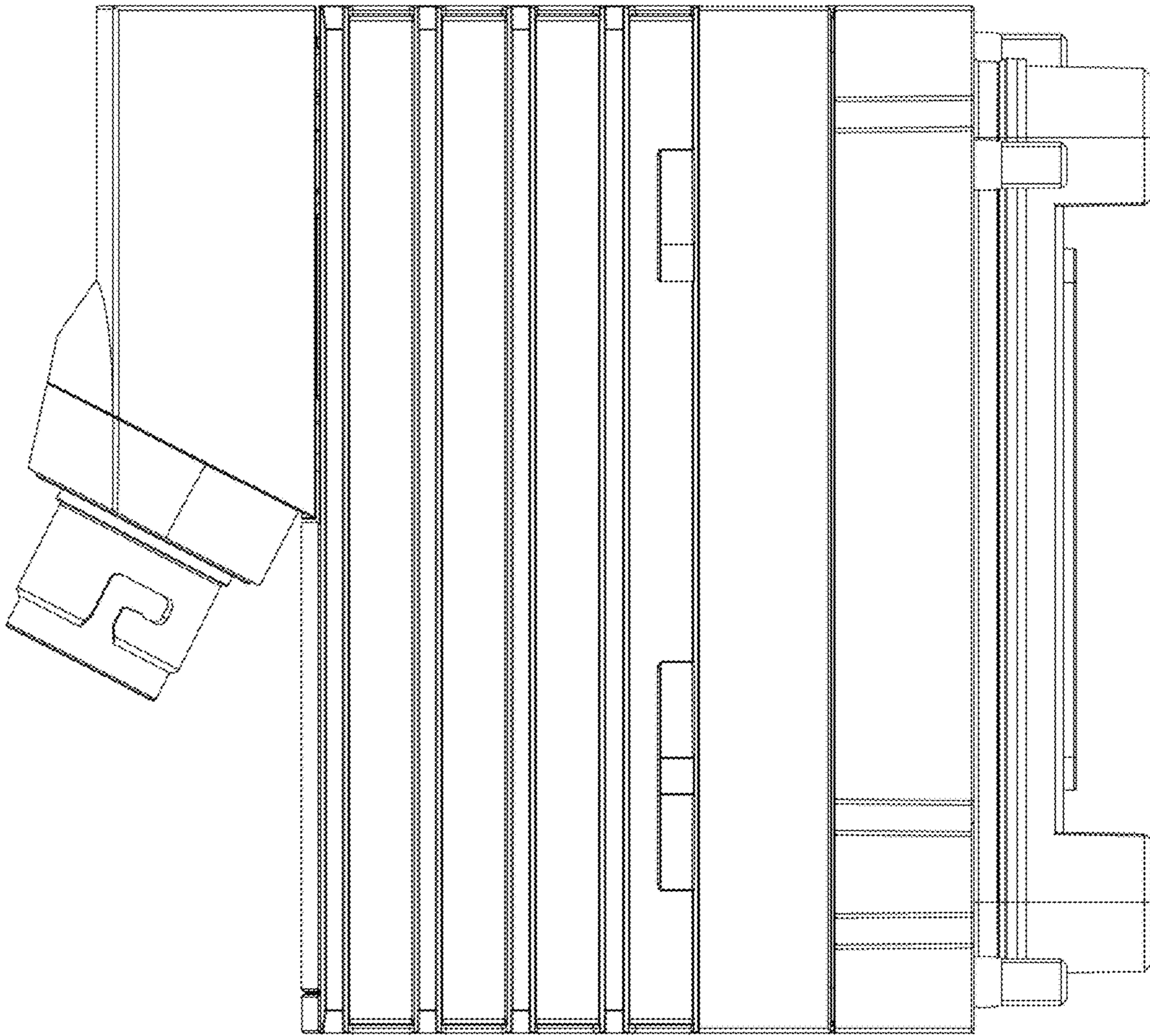
1.1



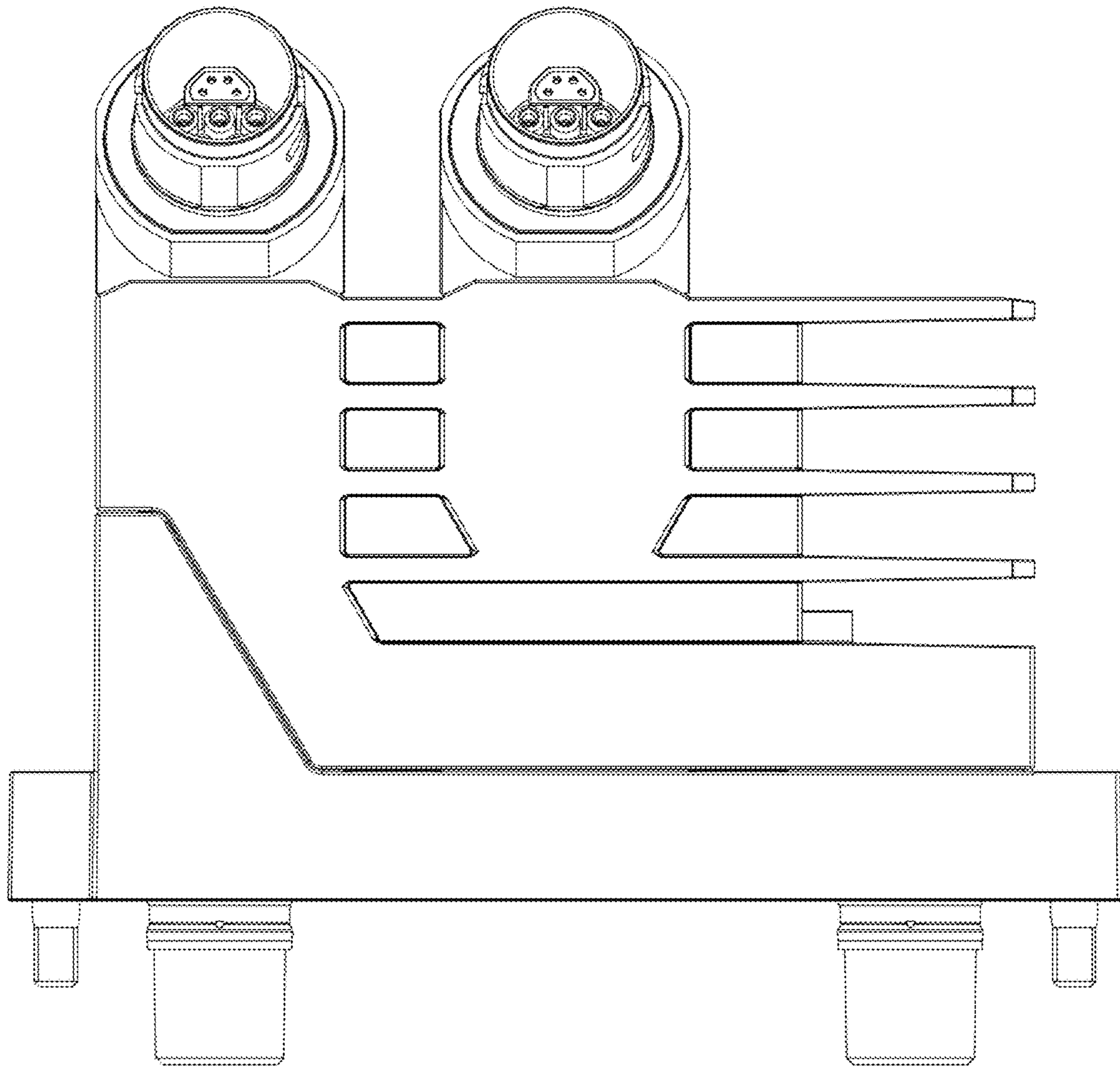
1.2



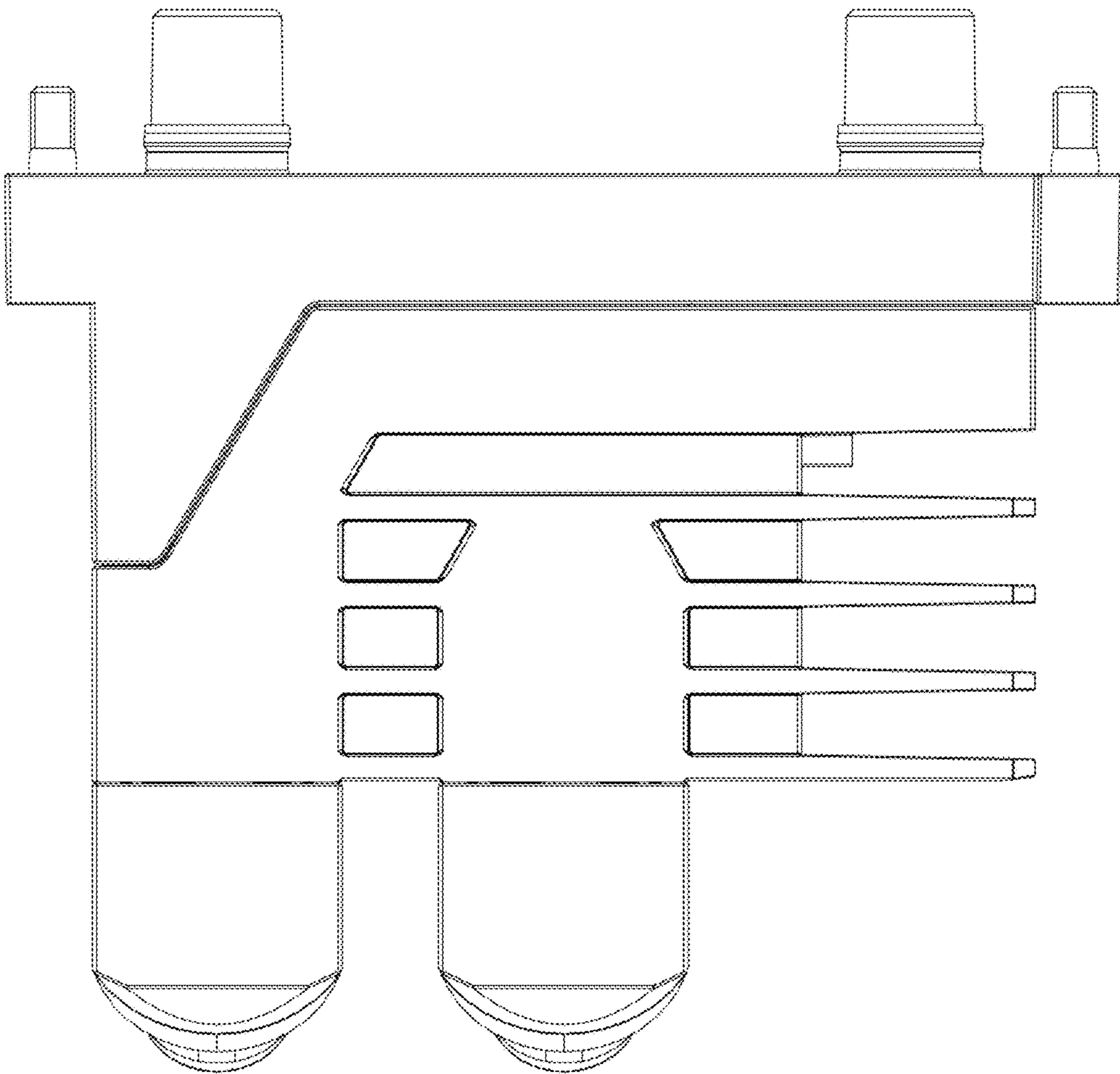
1.3



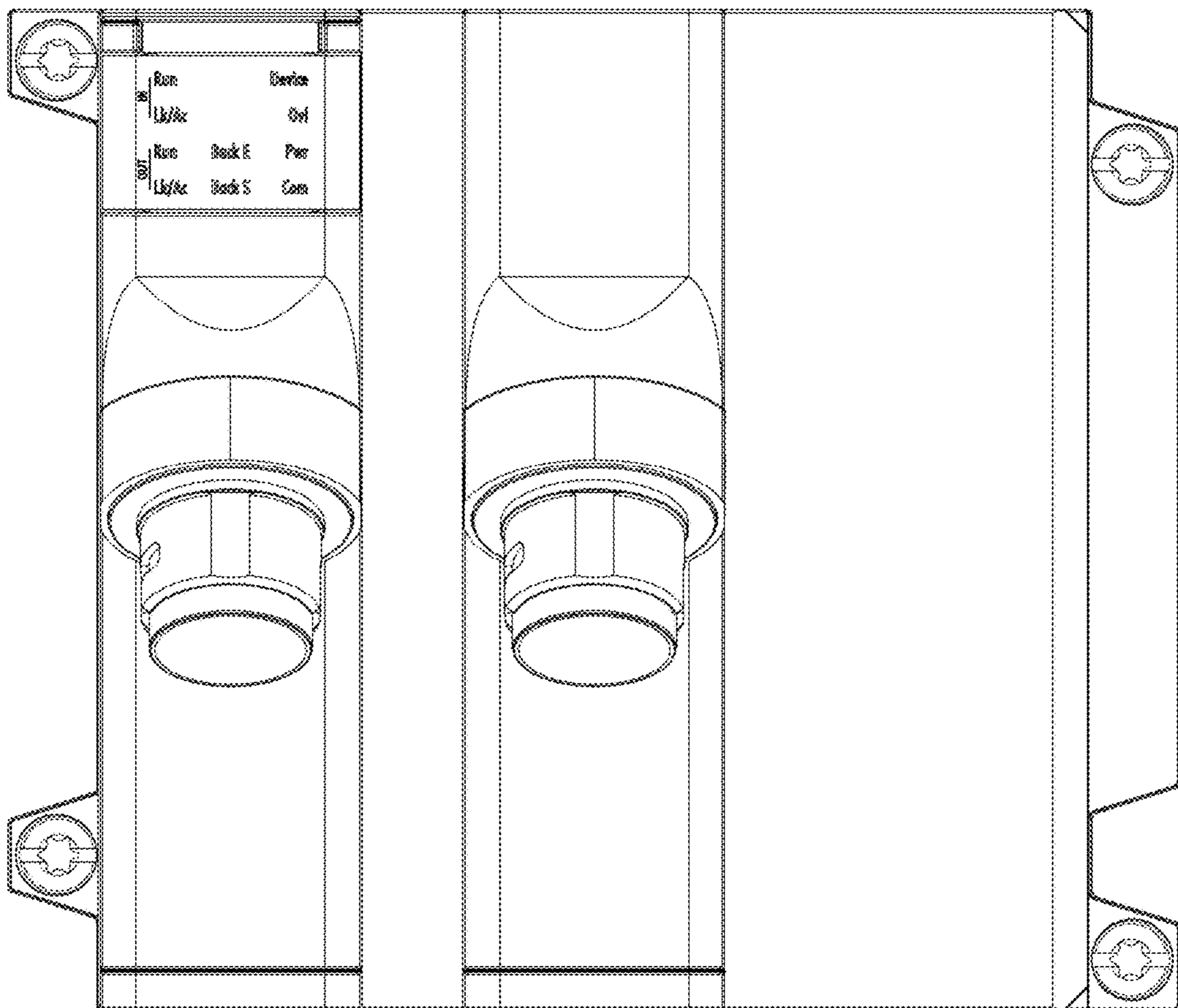
1.4



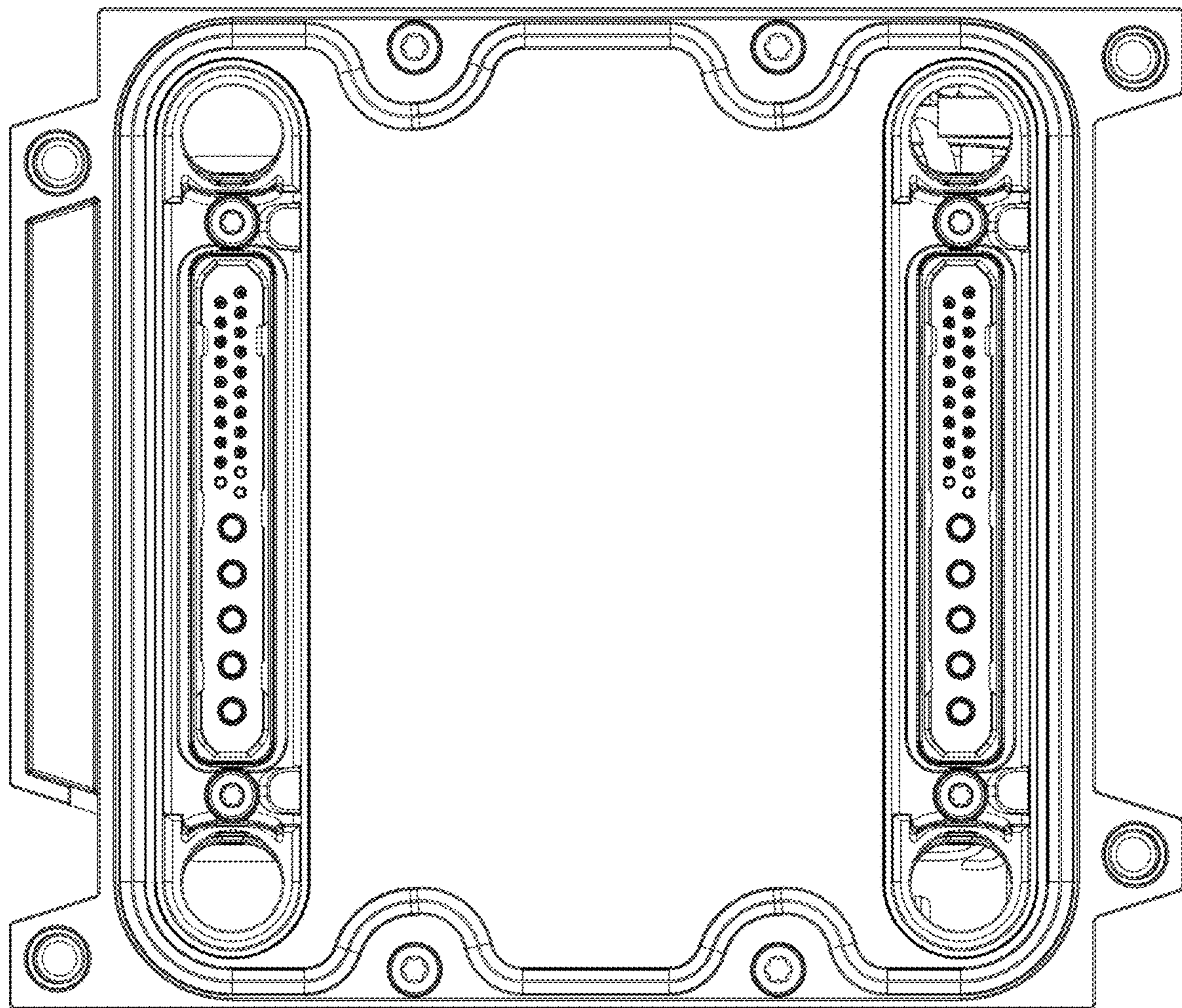
1.5



1.6



1.7



1.8

