



US00D975033S

(12) **United States Design Patent**
Greiser et al.

(10) **Patent No.:** **US D975,033 S**

(45) **Date of Patent:** **** Jan. 10, 2023**

(54) **EQUIPMENT FOR DISTRIBUTION OF ELECTRIC POWER**

(71) Applicant: **Beckhoff Automation GmbH, Verl (DE)**

(72) Inventors: **Frank Greiser, Rheda-Wiedenbrück (DE); Hans Beckhoff, Verl (DE)**

(**) Term: **15 Years**

(21) Appl. No.: **35/515,061**

(22) Filed: **May 18, 2022**

(80) **Hague Agreement Data**

Int. Filing Date: **May 18, 2022**

Int. Reg. No.: **DM/222991**

Int. Reg. Date: **May 18, 2022**

Int. Reg. Pub. Date: **Sep. 2, 2022**

(51) **LOC (14) Cl.** **13-03**

(52) **U.S. Cl.**
USPC **D13/162.1**

(58) **Field of Classification Search**

USPC **D13/123, 162, 162.1, 184; D14/240, 358**

CPC **G05B 9/02; G05B 19/05; G05B 19/054;**

G05B 19/056; G06F 1/182; G06F 1/183;

H05K 7/1462; H05K 7/1467; H05K

7/1474

See application file for complete search history.

(56) **References Cited**

U.S. PATENT DOCUMENTS

6,172,875 B1 * 1/2001 Suzuki **H05K 7/1465**

361/752

D559,844 S * 1/2008 Slotin **D14/300**

D588,552 S * 3/2009 Radau **D13/162**

D776,066 S * 1/2017 Geitner **D13/159**

D776,067 S * 1/2017 Geitner **D13/159**

D776,626 S * 1/2017 Geitner **D13/159**

D791,086 S * 7/2017 Balschat **D14/300**

D803,911 S * 11/2017 Suzuki **D15/138**

10,454,229 B2 * 10/2019 Wolff **A61M 5/1413**

D898,678 S * 10/2020 Thatcher **D13/158**

D952,580 S * 5/2022 Andersson **D13/162.1**

* cited by examiner

Primary Examiner — Michael A. Pratt

(57) **CLAIM**

The ornamental design for the equipment for distribution of electric power, as shown and described.

DESCRIPTION

1. Equipment for distribution of electric power

1.1 : Perspective top view

1.2 : Perspective rear view

1.3 : Right

1.4 : Front

1.5 : Back

1.6 : Top

1.7 : Rear view

1.8 : Left

1.1: Perspective top view of a equipment for distribution of

electric power of a modular equipment for distribution of

electric power and data signals; **1.2:** Perspective rear view of

the equipment for distribution of electric power; **1.3:** Right

view of the equipment for distribution of electric power; **1.4:**

Front view of the equipment for distribution of electric

power; **1.5:** Back view of the equipment for distribution of

electric power; **1.6:** Top view of the equipment for distri-

bution of electric power; **1.7:** Rear view of the equipment for

distribution of electric power; **1.8:** Left view of the equip-

ment for distribution of electric power; the equipment for

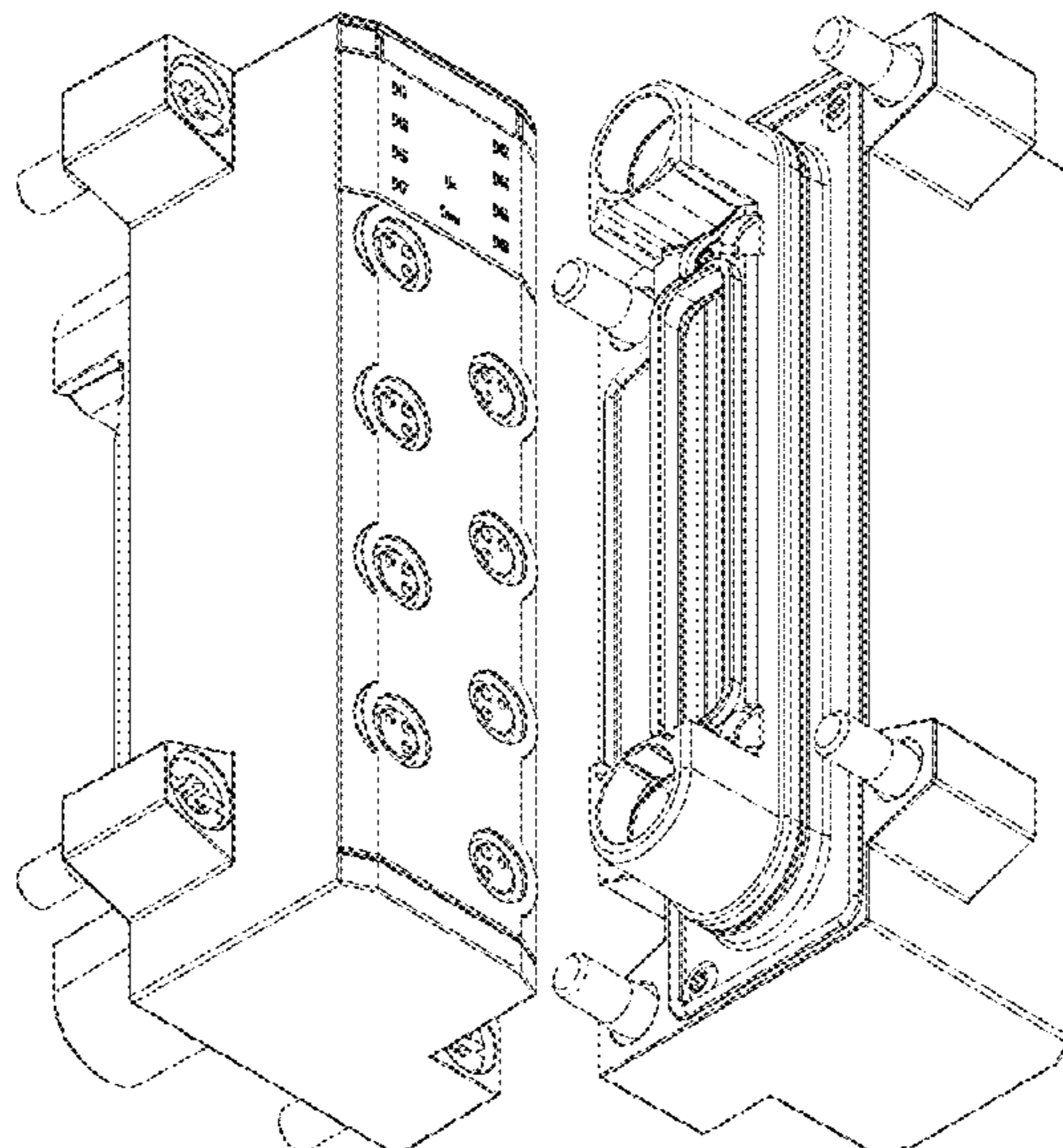
distribution of electric power can be plugged onto a base-

plate of a modular equipment for distribution of electric

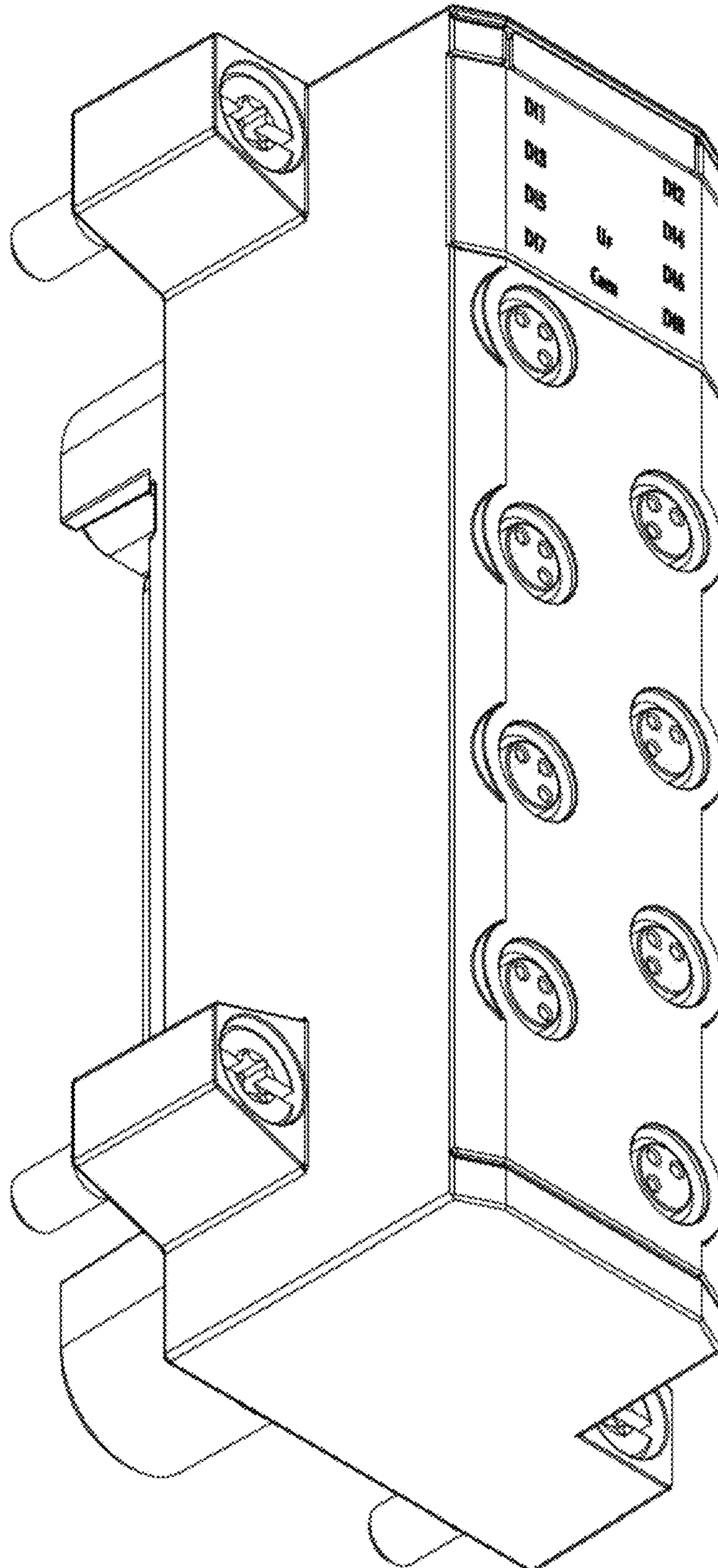
power and data signals as a rear panel and then screwed in

place using captive screws located in the baseplate.

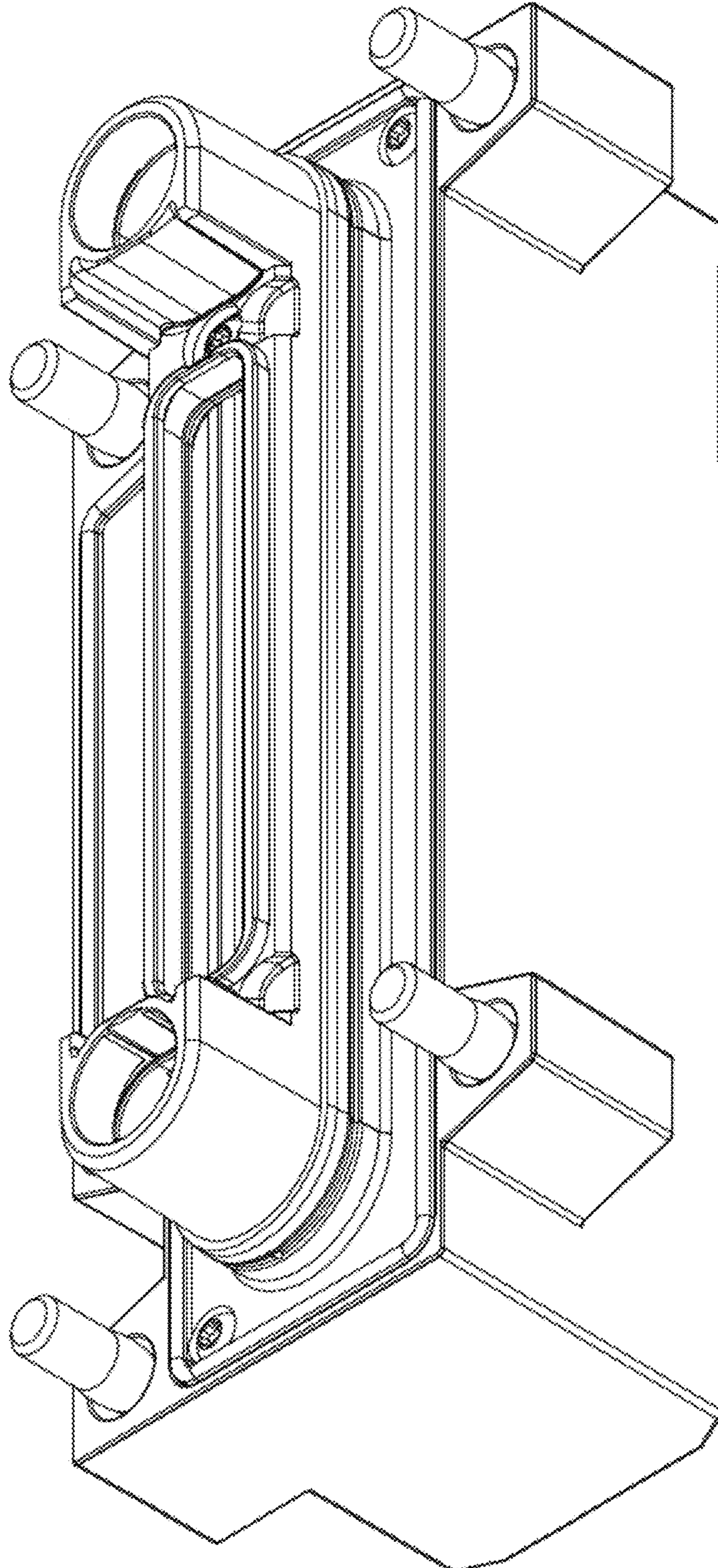
1 Claim, 8 Drawing Sheets



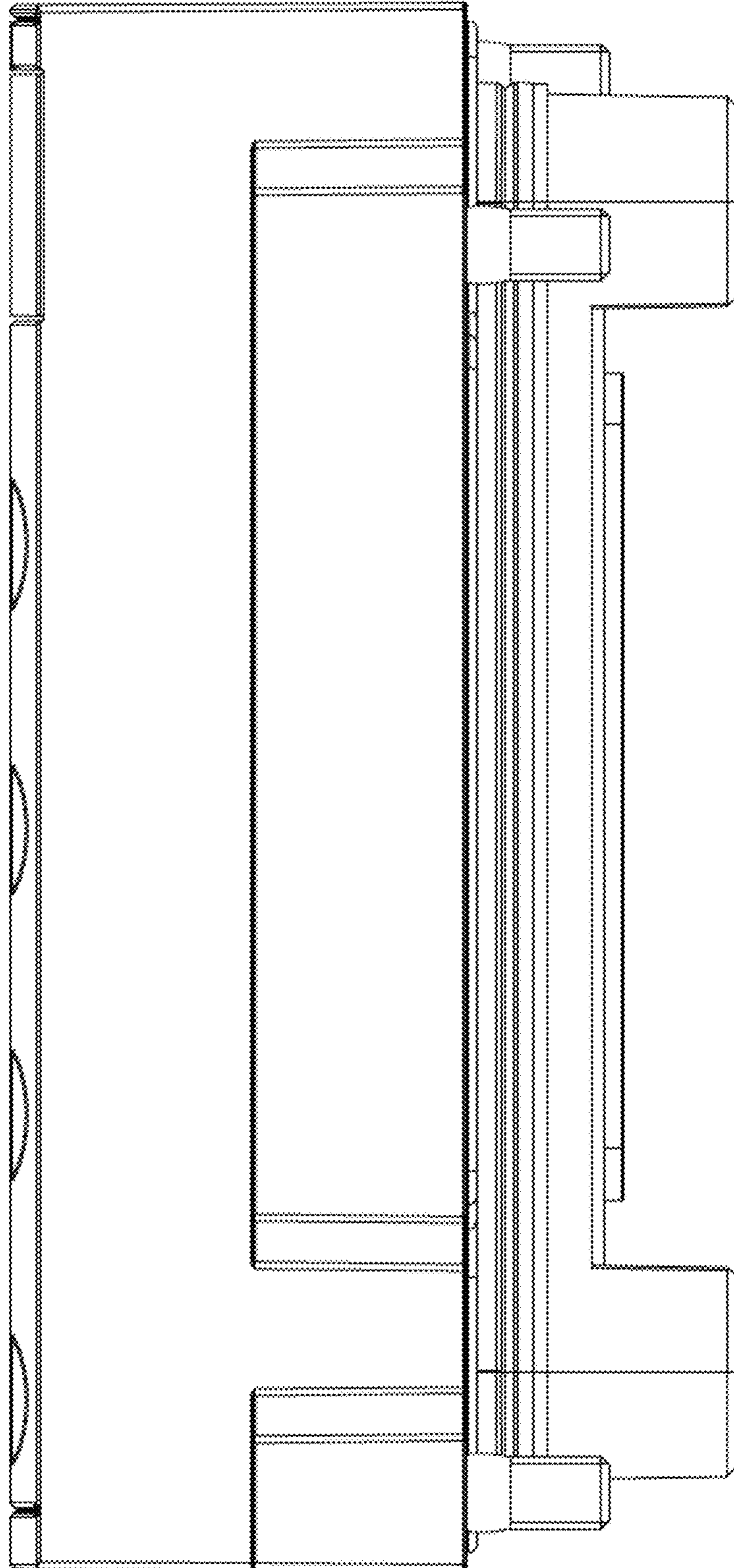
1.1



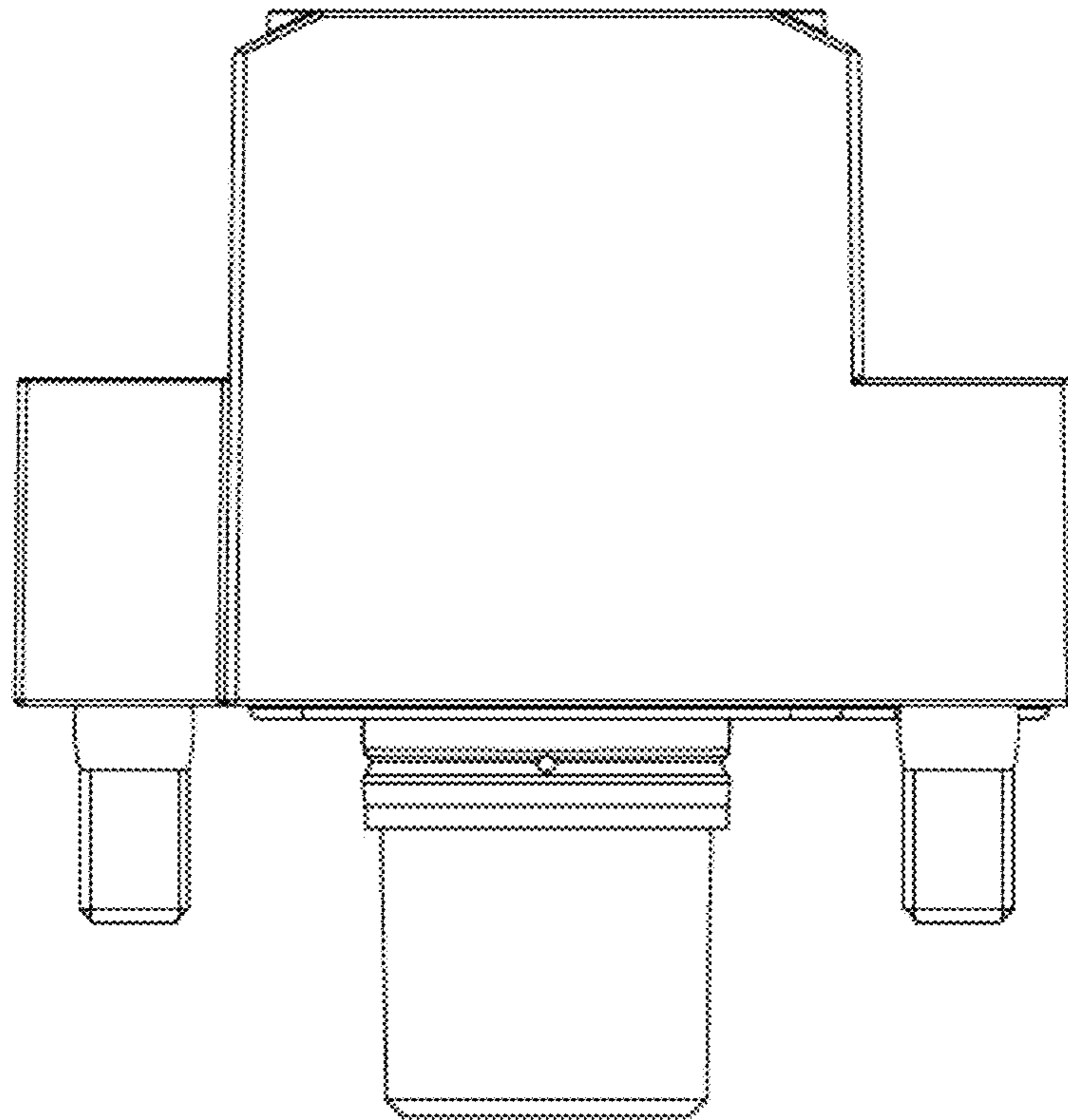
1.2



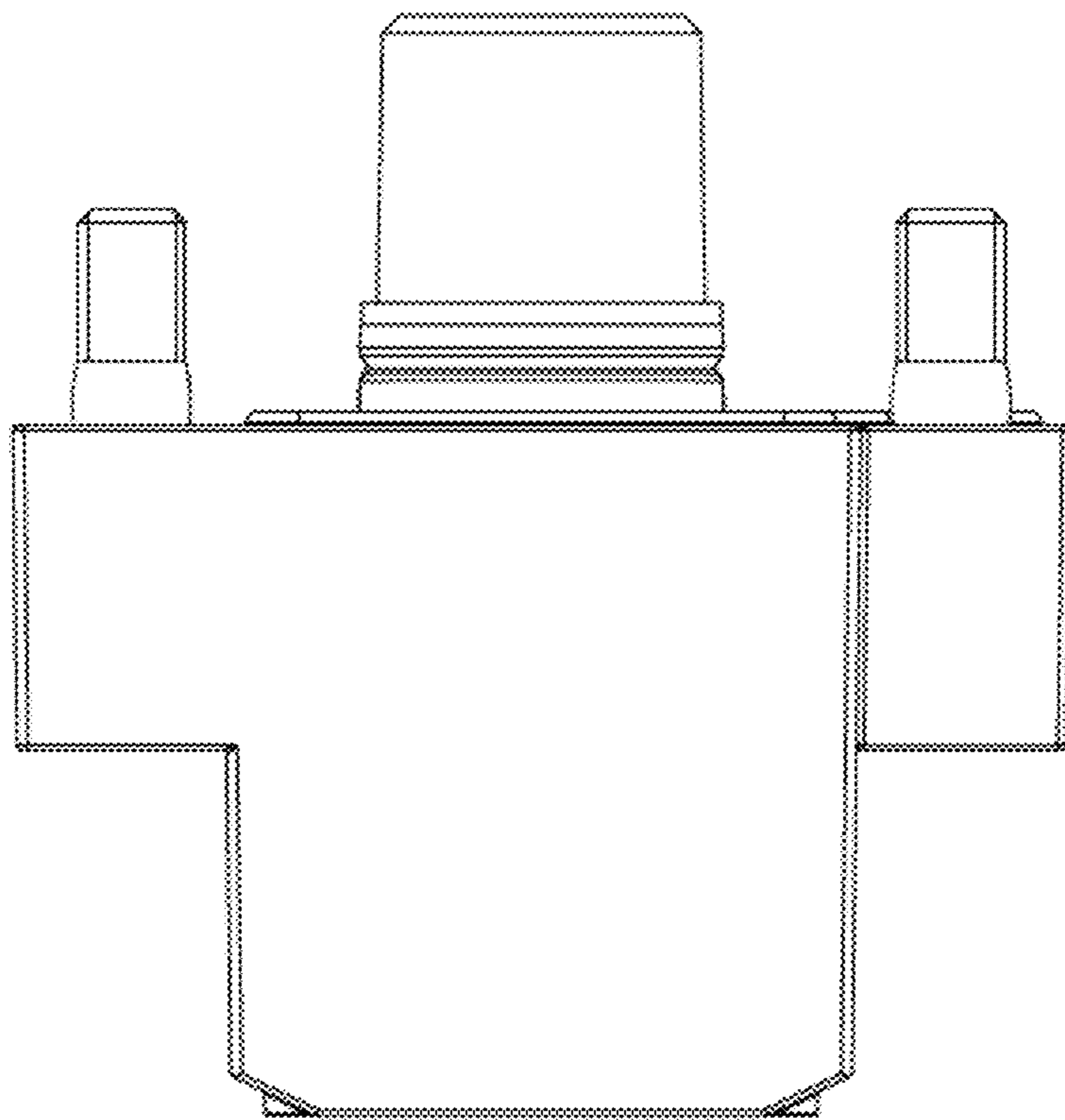
1.3



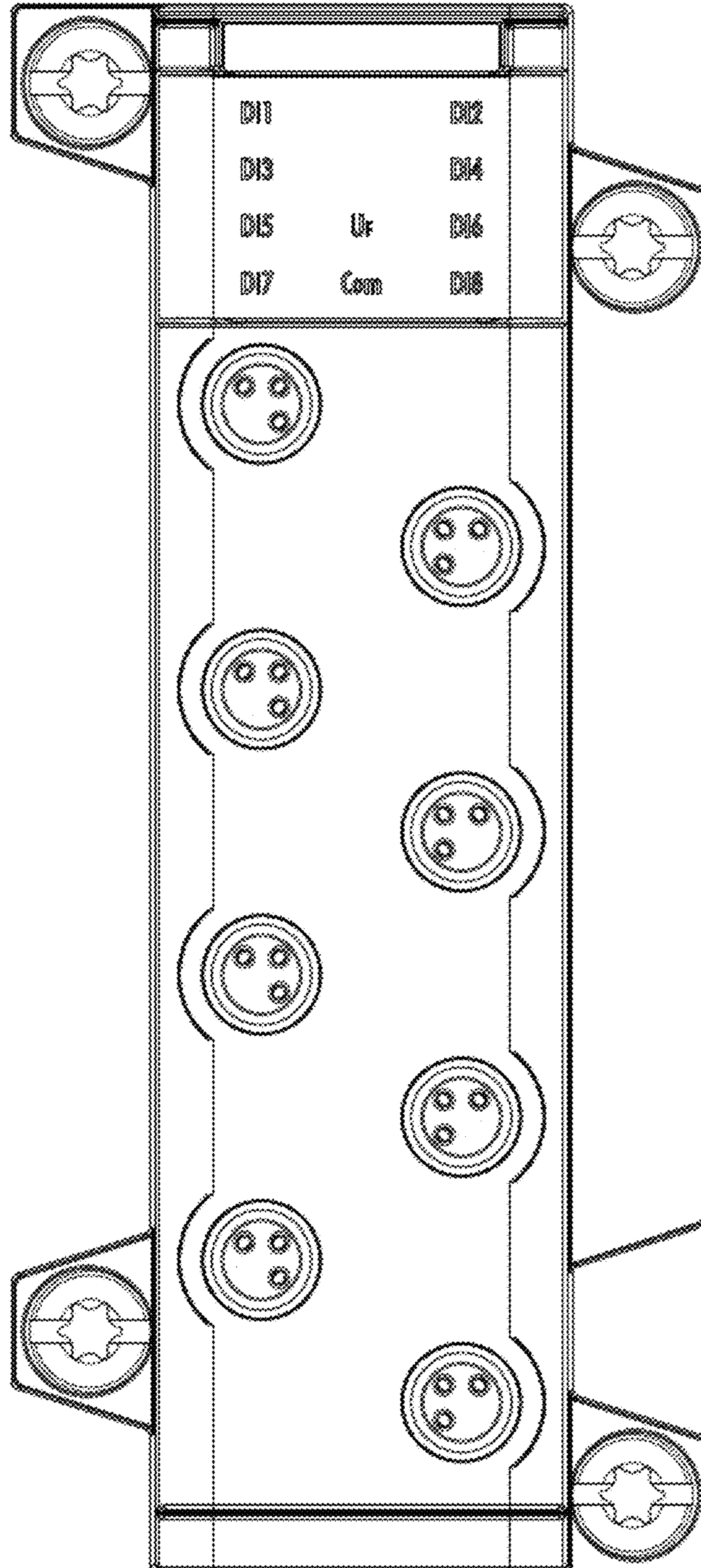
1.4



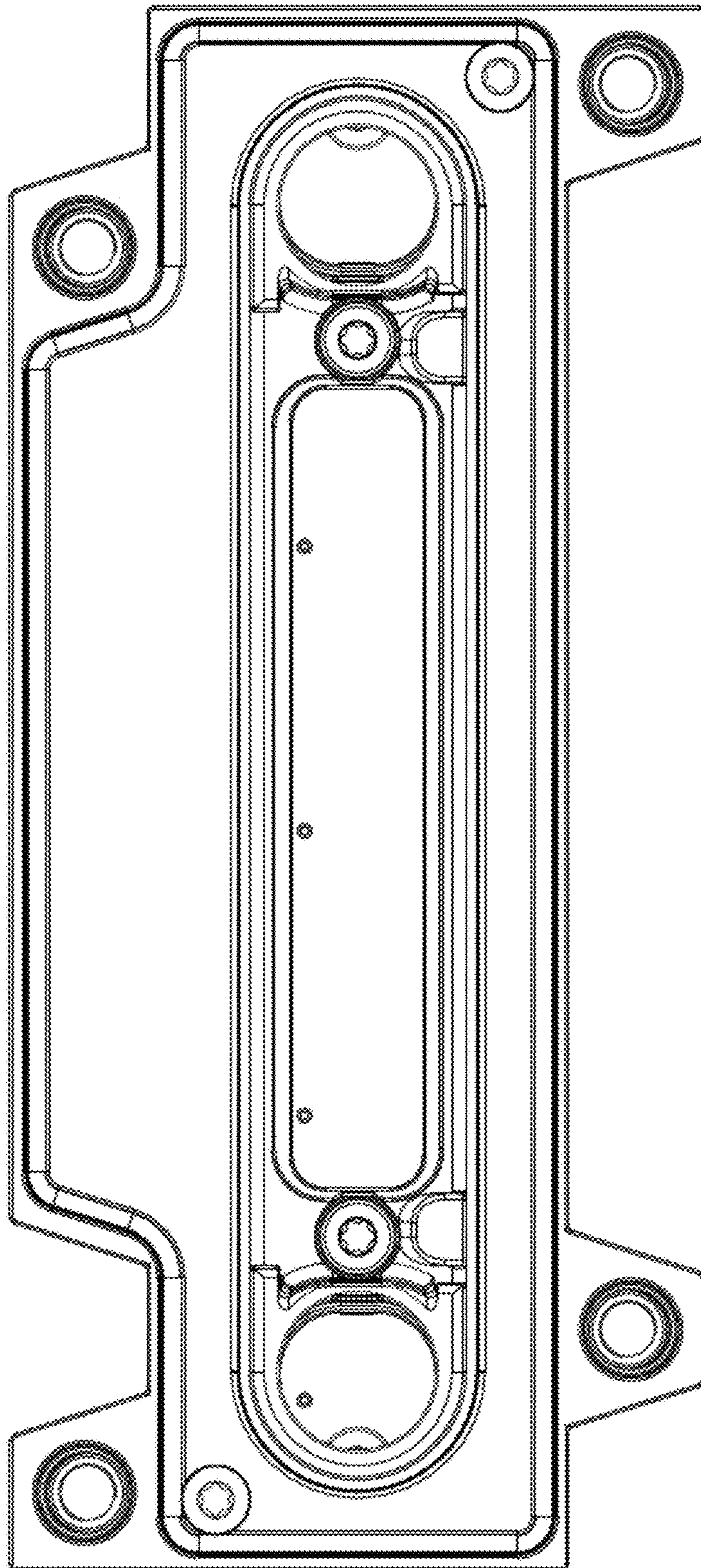
1.5



1.6



1.7



1.8

