



US00D975032S

(12) **United States Design Patent** (10) **Patent No.:** **US D975,032 S**
Xie (45) **Date of Patent:** **** Jan. 10, 2023**

(54) **CONTROLLER**

(71) Applicant: **Shenzhen Hantop E-Commerce Co., Ltd, Shenzhen (CN)**

(72) Inventor: **Hanjie Xie, Shenzhen (CN)**

(**) Term: **15 Years**

(21) Appl. No.: **29/803,687**

(22) Filed: **Aug. 16, 2021**

(51) **LOC (14) Cl.** **13-03**

(52) **U.S. Cl.**
USPC **D13/162**

(58) **Field of Classification Search**
USPC D23/200, 210, 212, 213, 214, 224, 229;
D10/40, 49; D13/162, 162.1, 163
CPC B05B 1/16; B05B 17/08; A01G 27/001;
A01G 27/003; A01G 25/165
See application file for complete search history.

(56) **References Cited**

U.S. PATENT DOCUMENTS

- D270,715 S * 9/1983 Perethian D13/184
- 5,511,341 A * 4/1996 Payne A01G 27/003
47/79
- D451,412 S * 12/2001 Jacobs D10/40
- 7,206,260 B1 * 4/2007 Klein G04F 1/005
368/88
- D546,772 S * 7/2007 Venegas D13/164
- D549,181 S * 8/2007 Riley
- D567,680 S * 4/2008 Michael D10/40
- D587,211 S * 2/2009 Greenslade D13/162
- D682,714 S * 5/2013 Barton D10/40
- D696,969 S * 1/2014 Aitken D10/40
- D720,303 S * 12/2014 Fischer
- D780,884 S * 3/2017 Crawford D23/207
- D782,971 S * 4/2017 Franchini D13/102
- D785,573 S * 5/2017 Yu
- D810,700 S * 2/2018 Jenkins D13/162
- D833,303 S * 11/2018 Cummings D10/49
- D857,529 S * 8/2019 Rodriguez D10/49

- D883,433 S * 5/2020 Wang D23/214
- 10,663,941 B2 * 5/2020 Nickerson G05D 7/0676
- 11,172,779 B1 * 11/2021 Munoz A47G 33/12
- D937,788 S * 12/2021 Doyle D13/184
- D942,957 S * 2/2022 Larsen D13/162
- D965,446 S * 10/2022 Chen D10/40
- 2019/0343054 A1 * 11/2019 Ayres F25B 21/02
- 2020/0011197 A1 * 1/2020 Lindgren C02F 1/42

OTHER PUBLICATIONS

AiHihome Automatic Watering System, May 21, 2021, Amazon, site visited Nov. 14, 2022: <https://www.amazon.ca/dp/B095KT91V8/> (Year: 2021).*

Naroot Irrigation Timer, Jul. 6, 2021, Amazon, site visited Nov. 14, 2022: <https://www.amazon.ca/dp/B087D3YDQD/> (Year: 2021).*

* cited by examiner

Primary Examiner — Jack Reickel
Assistant Examiner — Bobby W Jones, II
(74) *Attorney, Agent, or Firm* — Rumit Ranjit Kanakia

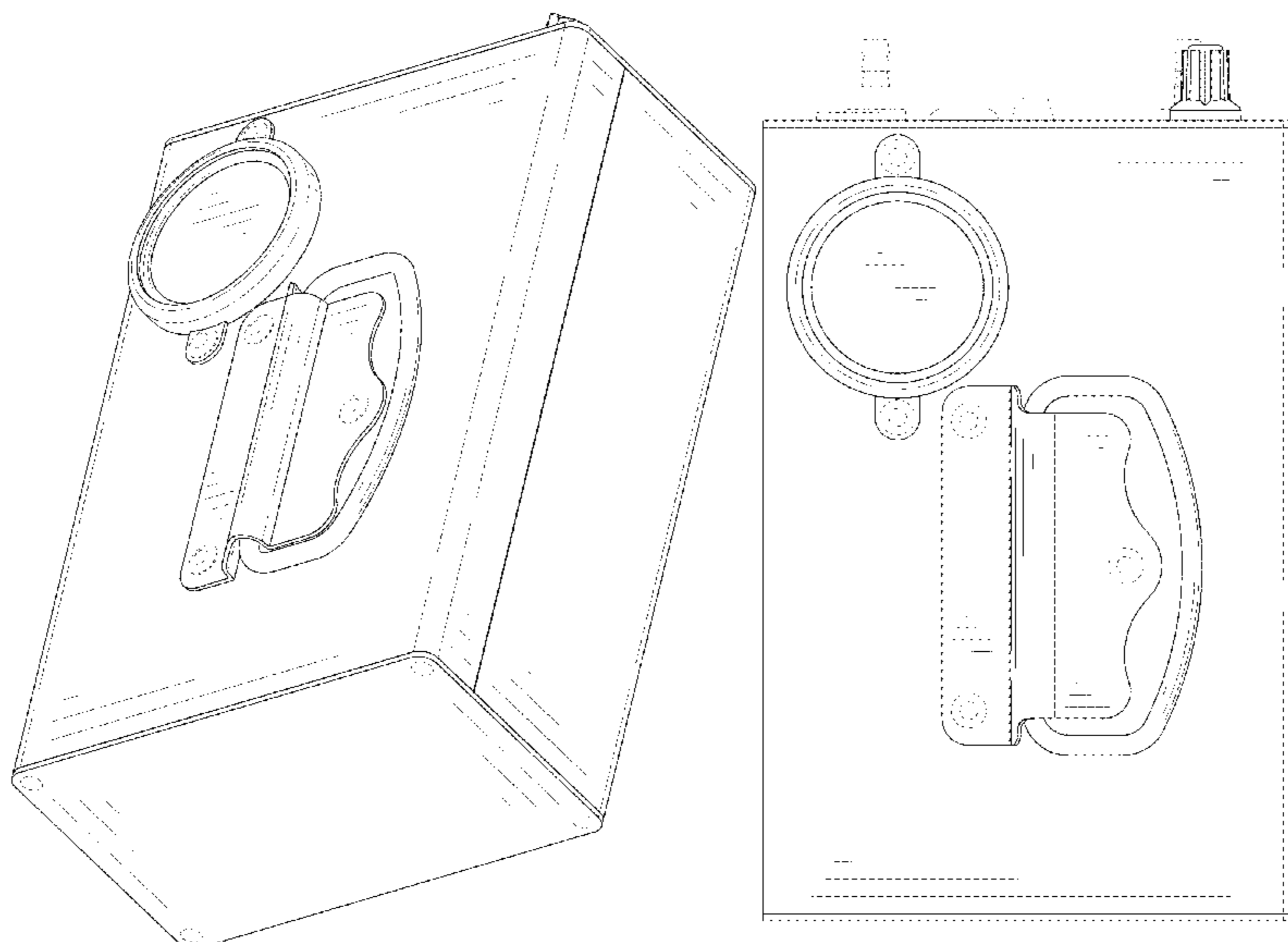
(57) **CLAIM**

The ornamental design for a controller, as shown and described.

DESCRIPTION

FIG. 1 is a first perspective view of a controller showing my new design;
FIG. 2 is a second perspective view thereof;
FIG. 3 is a front view thereof;
FIG. 4 is a back view thereof;
FIG. 5 is a left side view thereof;
FIG. 6 is a right side view thereof;
FIG. 7 is a top view thereof; and,
FIG. 8 is a bottom view thereof.
The broken lines shown in the drawings depict portions of the controller in which the design is embodied that form no part of the claimed design.

1 Claim, 8 Drawing Sheets



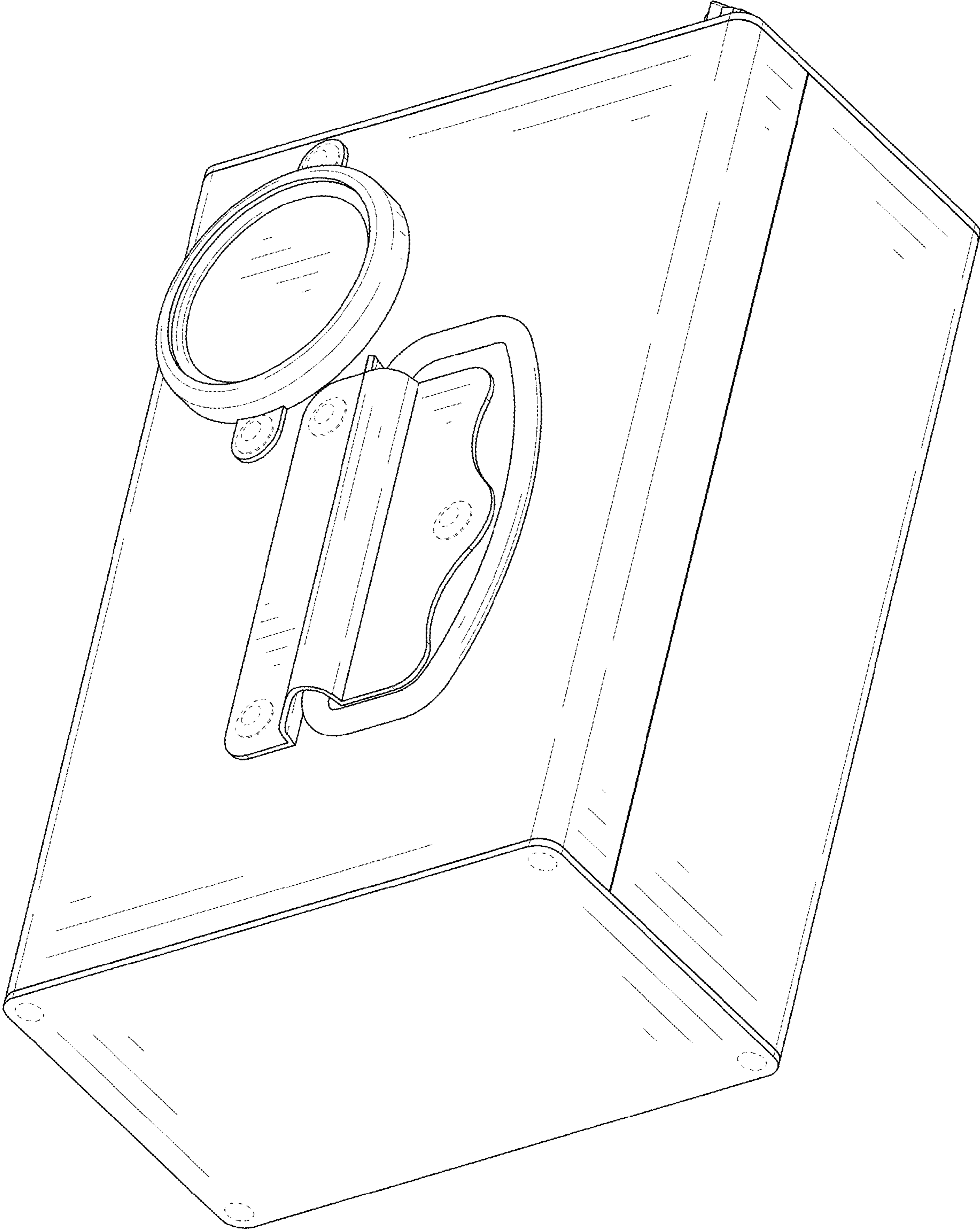


FIG. 1

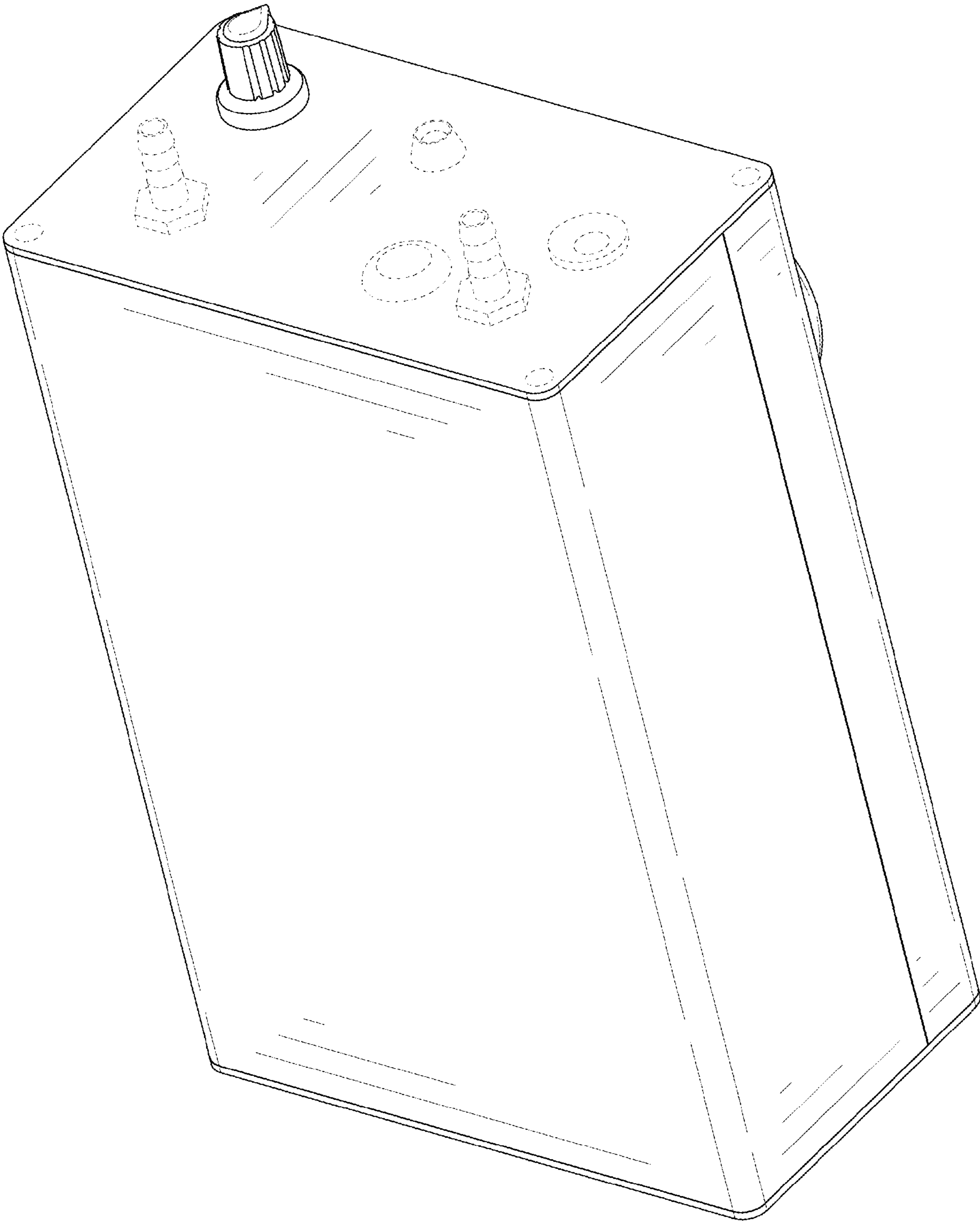


FIG. 2

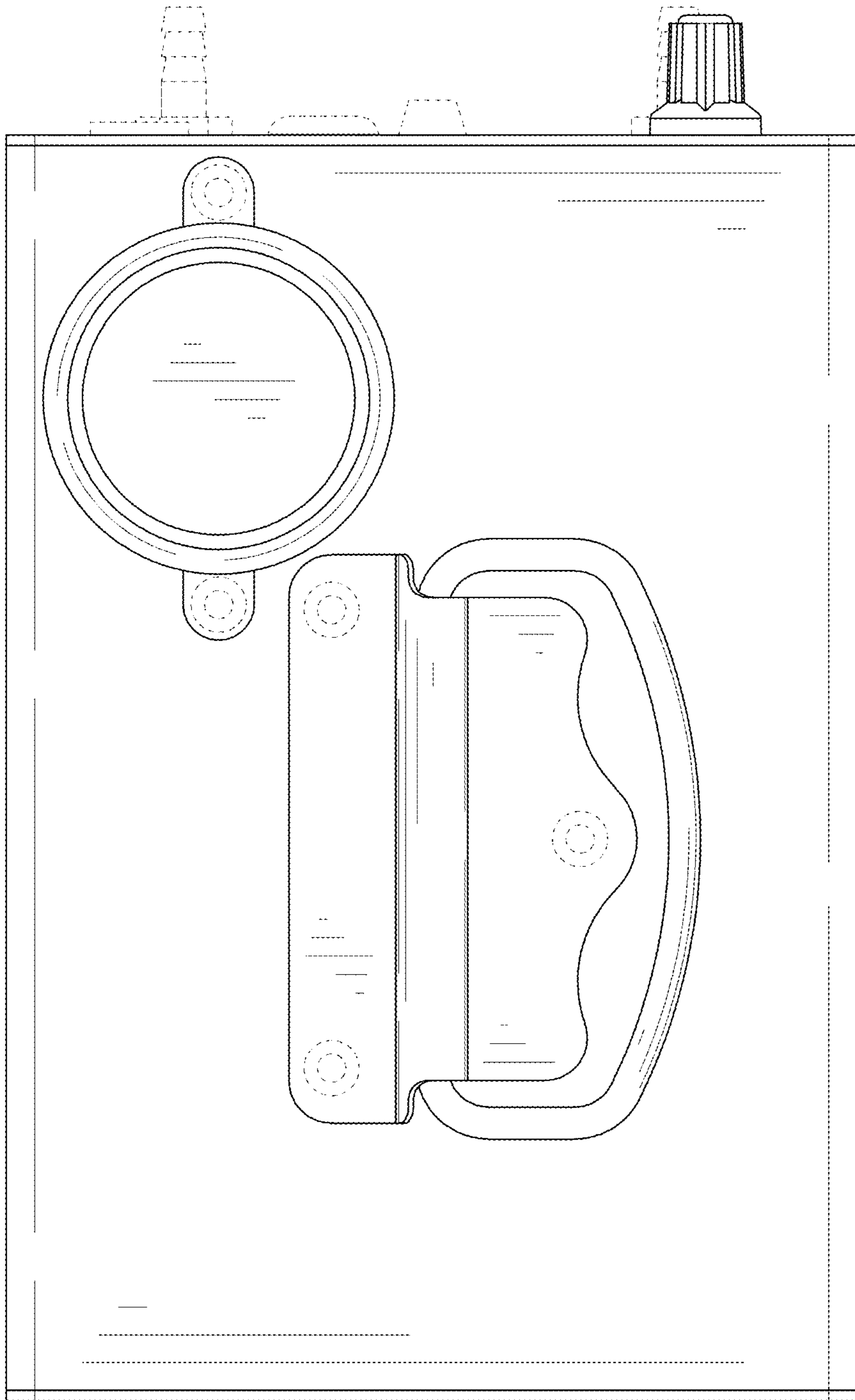


FIG. 3

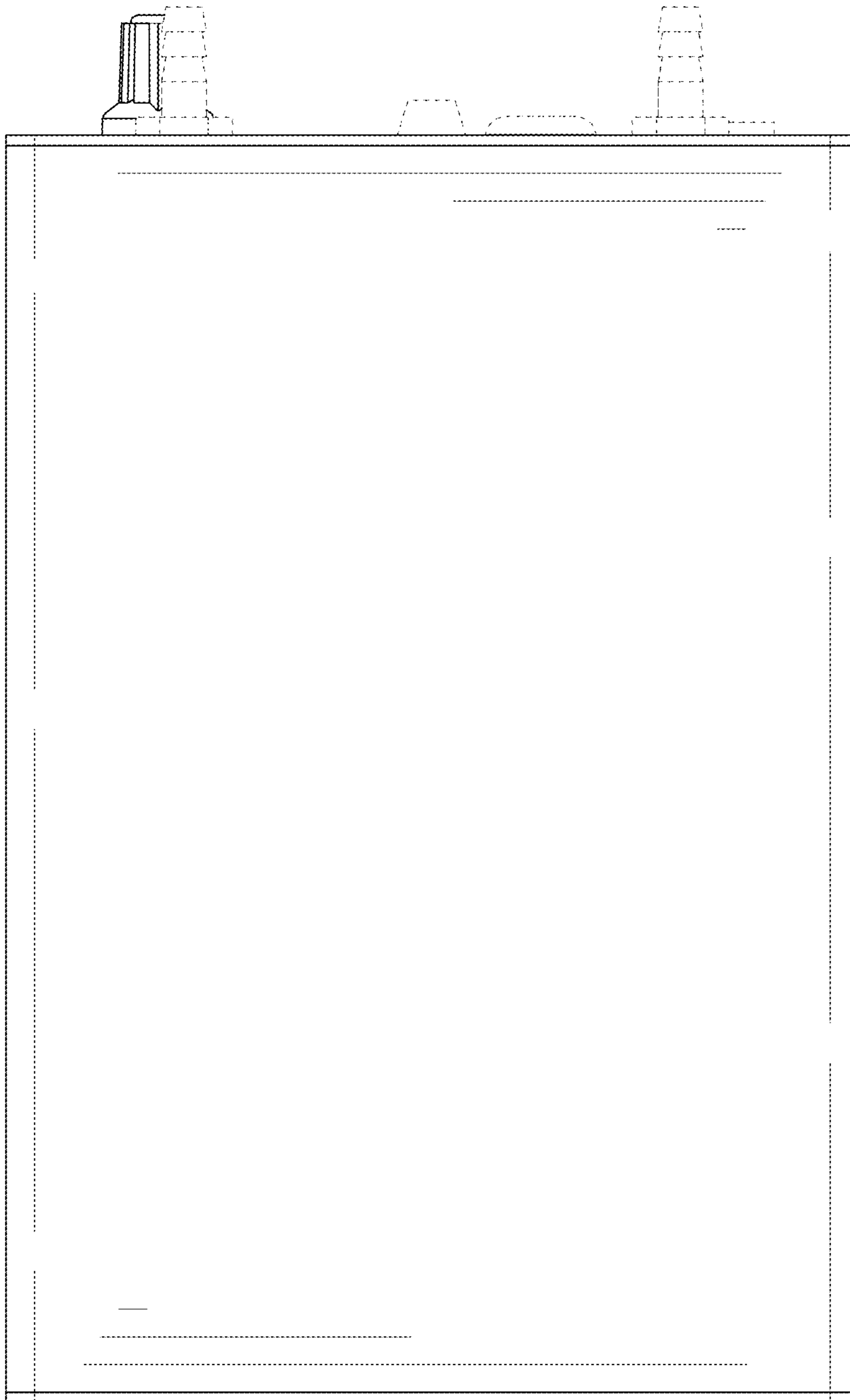


FIG. 4

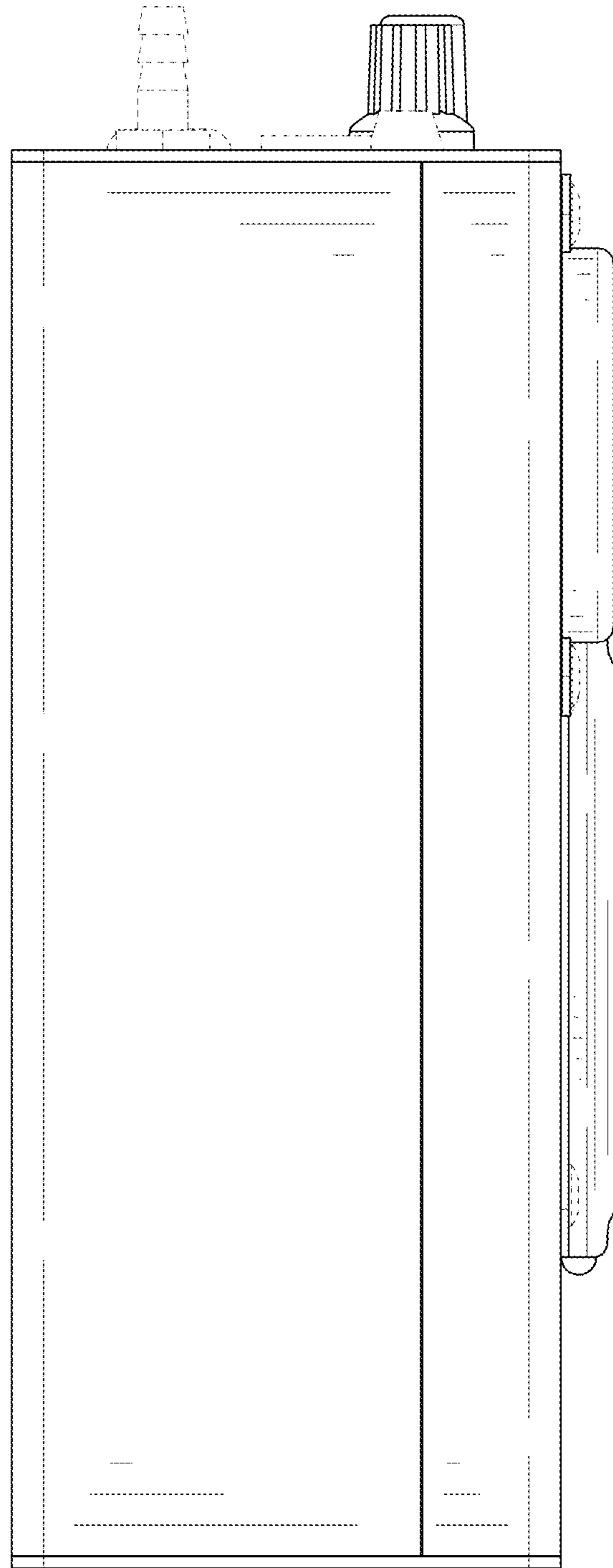


FIG. 5

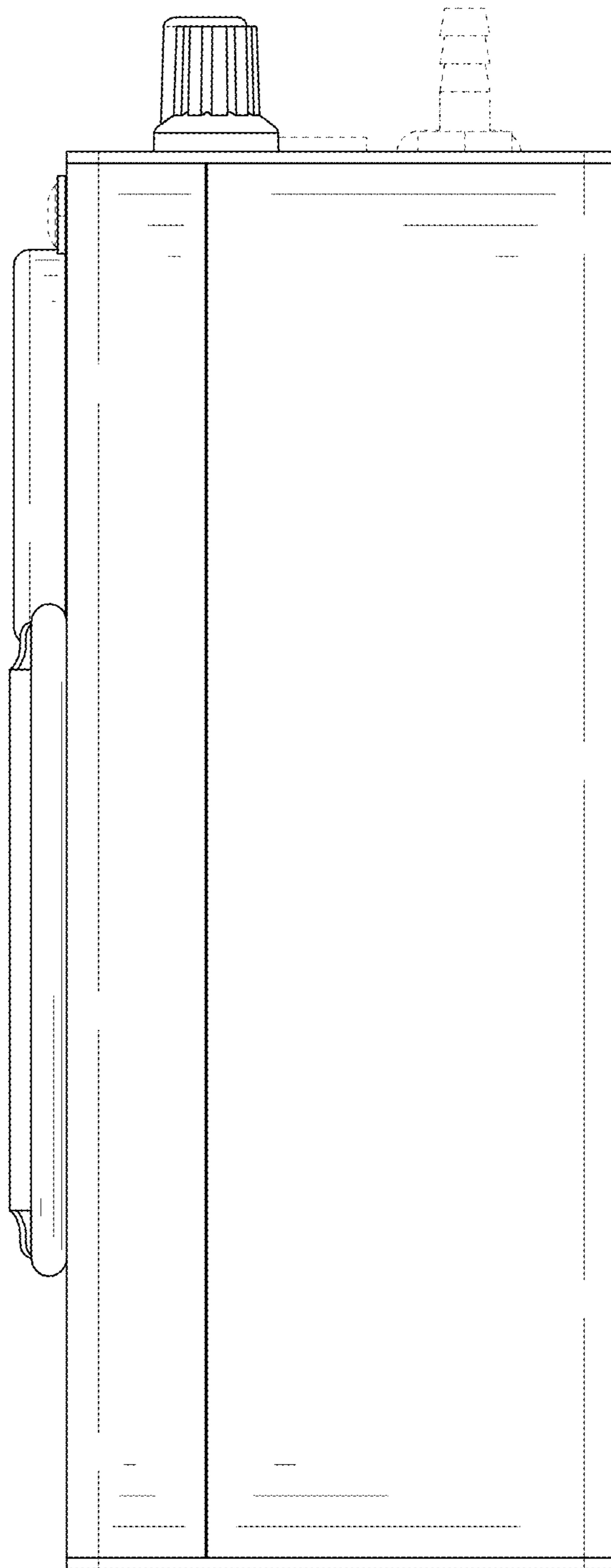


FIG. 6

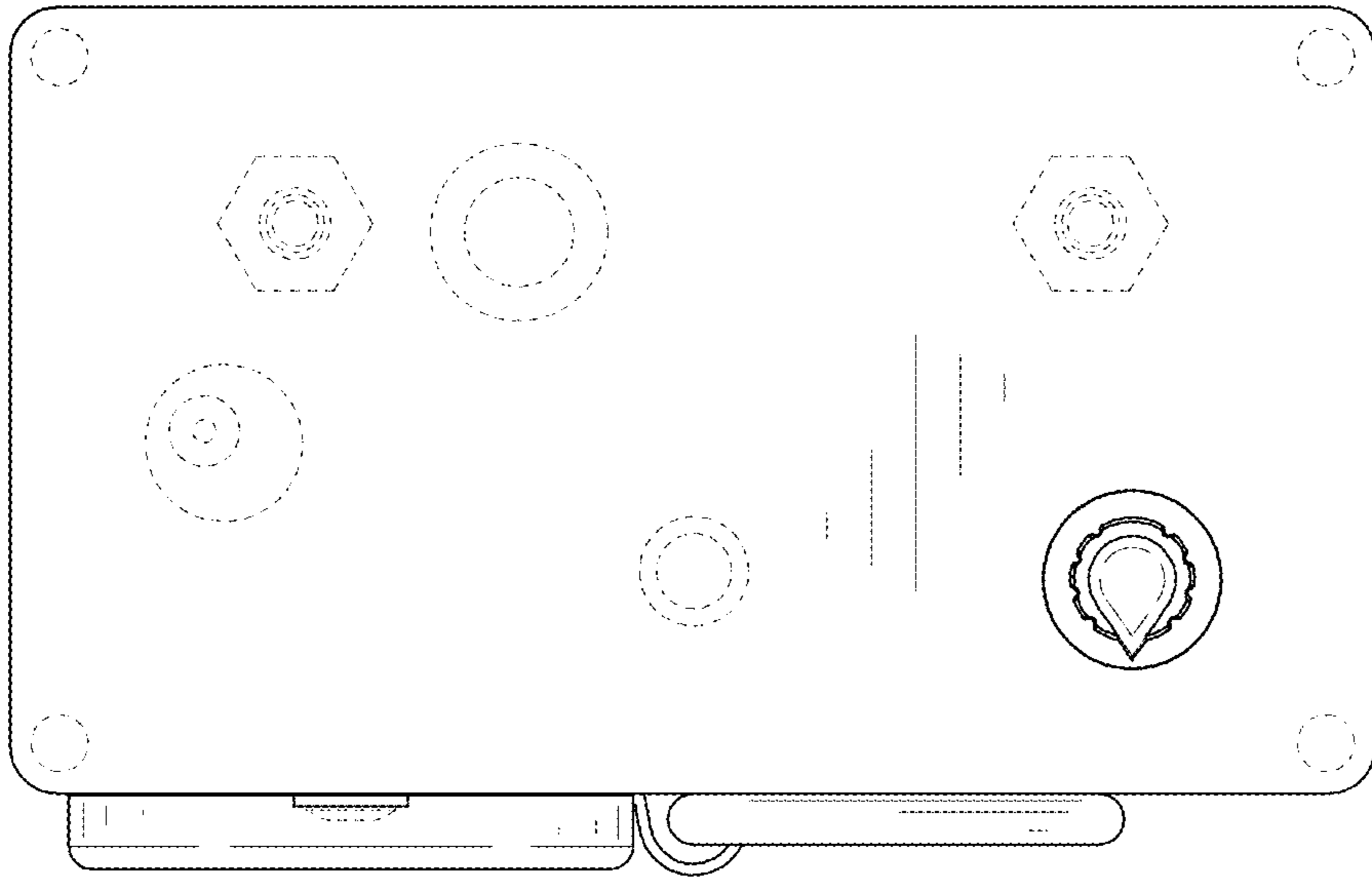


FIG. 7

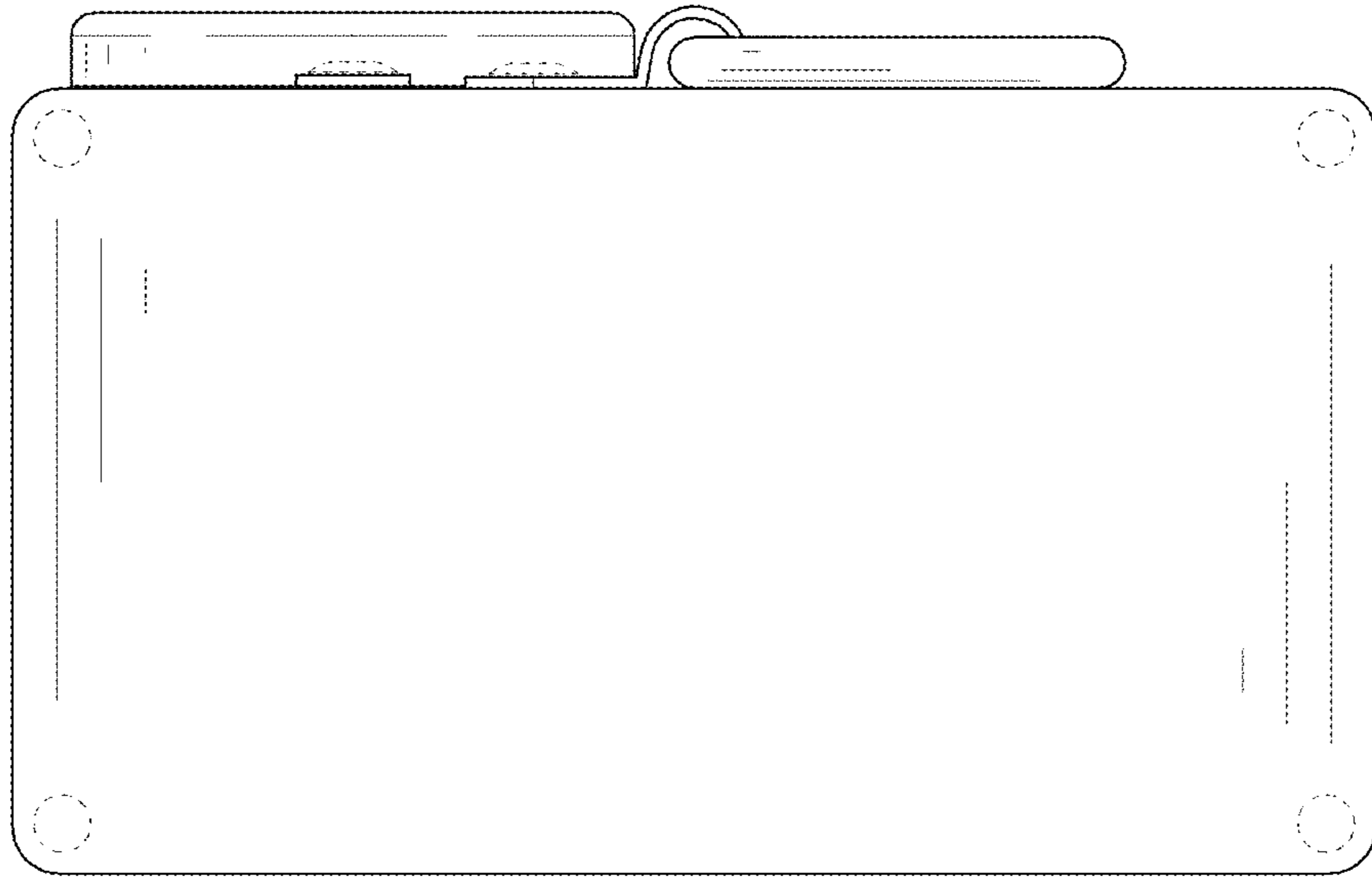


FIG. 8