



US00D975030S

(12) **United States Design Patent**
Atwood et al.

(10) **Patent No.:** **US D975,030 S**
(45) **Date of Patent:** **** Jan. 10, 2023**

(54) **WIRE CONNECTOR**

(71) Applicant: **3M innovative Properties Company**,
St. Paul, MN (US)

(72) Inventors: **William P. Atwood**, Coon Rapids, MN
(US); **Bernard Daoust**, Sutton (CA);
Katrin Braun, Montréal (CA)

(73) Assignee: **3M Innovative Properties Company**,
St. Paul, MN (US)

(**) Term: **15 Years**

(21) Appl. No.: **29/758,487**

(22) Filed: **Nov. 16, 2020**

(51) **LOC (14) Cl.** **13-03**

(52) **U.S. Cl.**
USPC **D13/156**

(58) **Field of Classification Search**
USPC D13/155, 156, 110; D8/353, 356
See application file for complete search history.

(56) **References Cited**

U.S. PATENT DOCUMENTS

3,399,433 A * 9/1968 Faulkner F16G 11/14
403/211
3,604,069 A * 9/1971 Jensen A44B 99/00
24/600.6

D456,796 S * 5/2002 Silver D14/299
D621,693 S * 8/2010 Dong D8/356
D742,354 S * 11/2015 McNamara D8/395
D749,209 S * 2/2016 Uhlenkamp D24/128
9,791,102 B2 * 10/2017 Moreau F16M 13/04
D886,991 S * 6/2020 Kindler D8/356
D908,098 S * 1/2021 Kim D13/133

* cited by examiner

Primary Examiner — Jennifer O King

(57) **CLAIM**

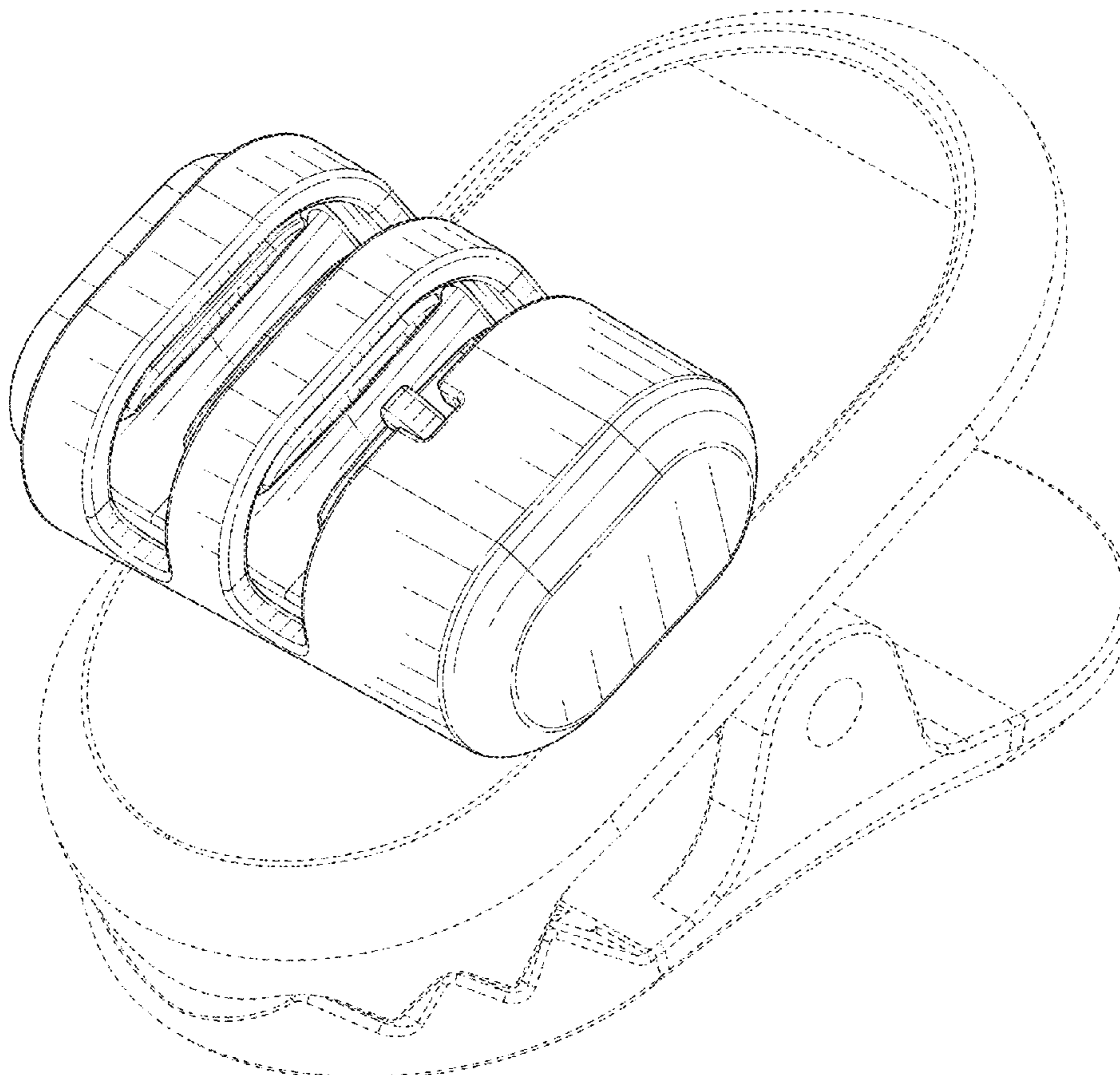
The ornamental design for a wire connector, as shown and described.

DESCRIPTION

FIG. 1 is a top right perspective view of a wire connector in accordance with an embodiment of the claimed design; FIG. 2 is a front elevation view thereof; FIG. 3 is a rear elevation view thereof; FIG. 4 is a left side elevation view thereof; FIG. 5 is a right side elevation view thereof; FIG. 6 is a top plan view thereof; and, FIG. 7 is a bottom plan view thereof.

The dash-dash broken lines in the figures represent portions of the wire connector that form no part of the claimed design.

1 Claim, 7 Drawing Sheets



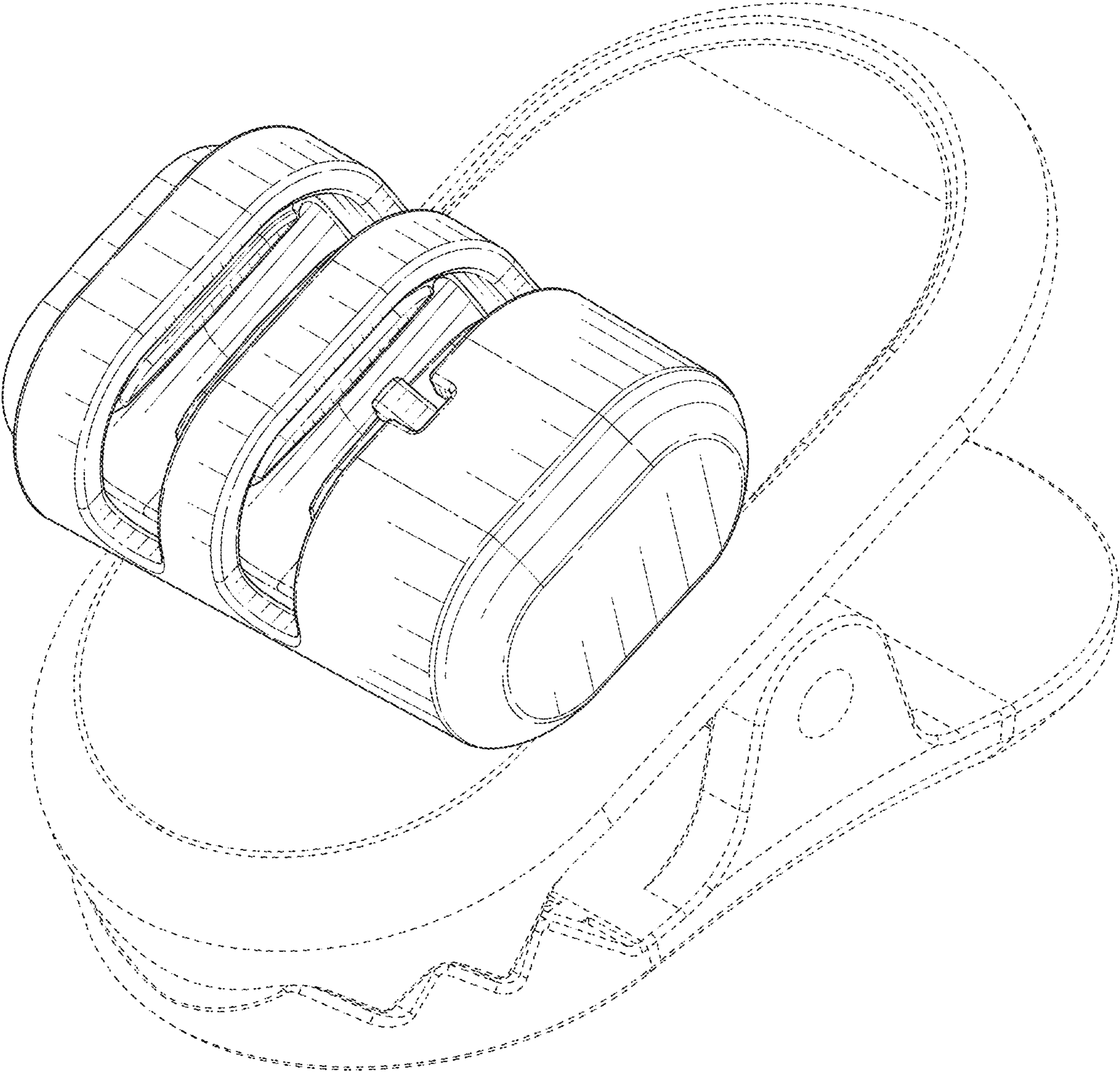


FIG. 1

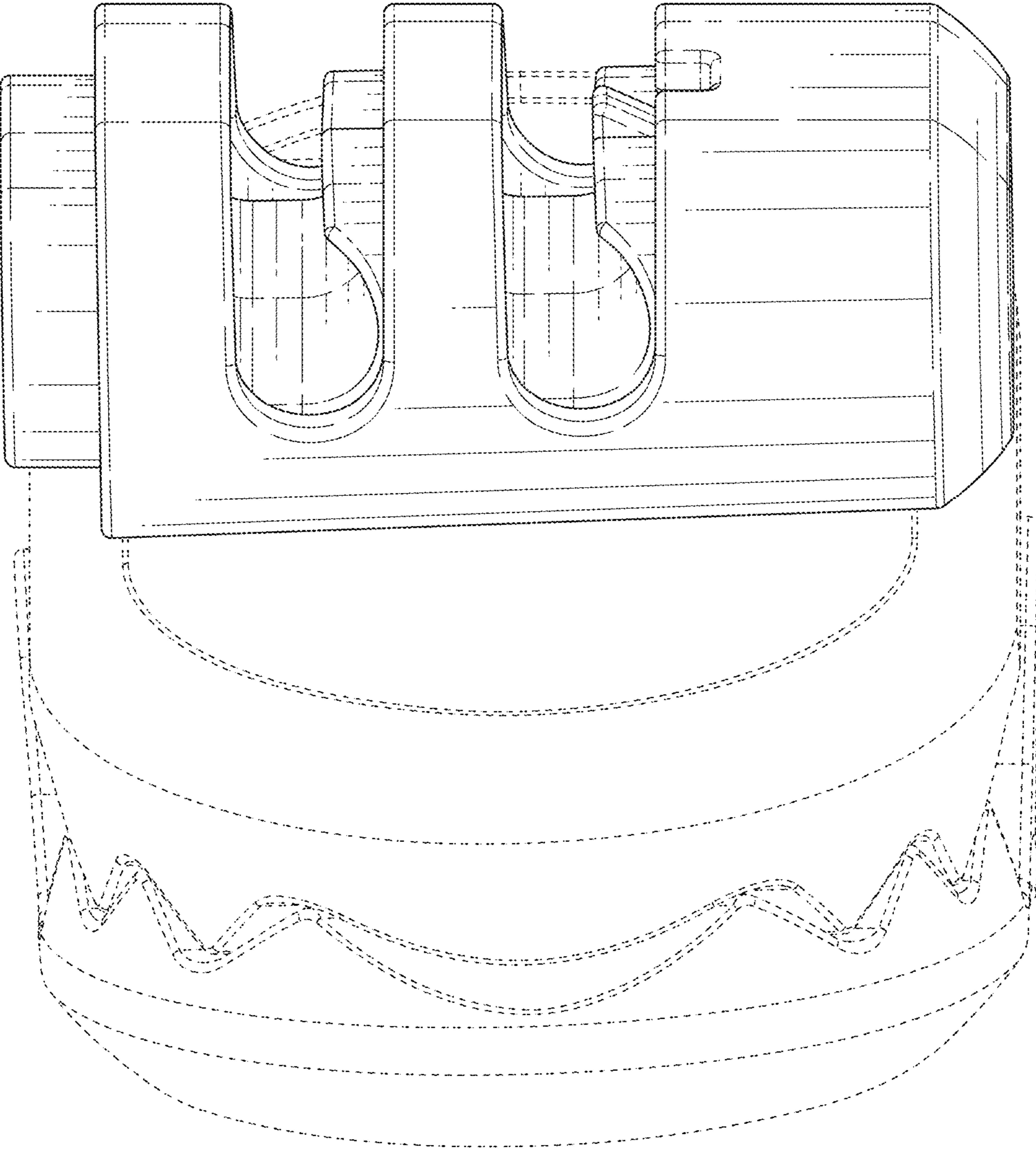


FIG. 2

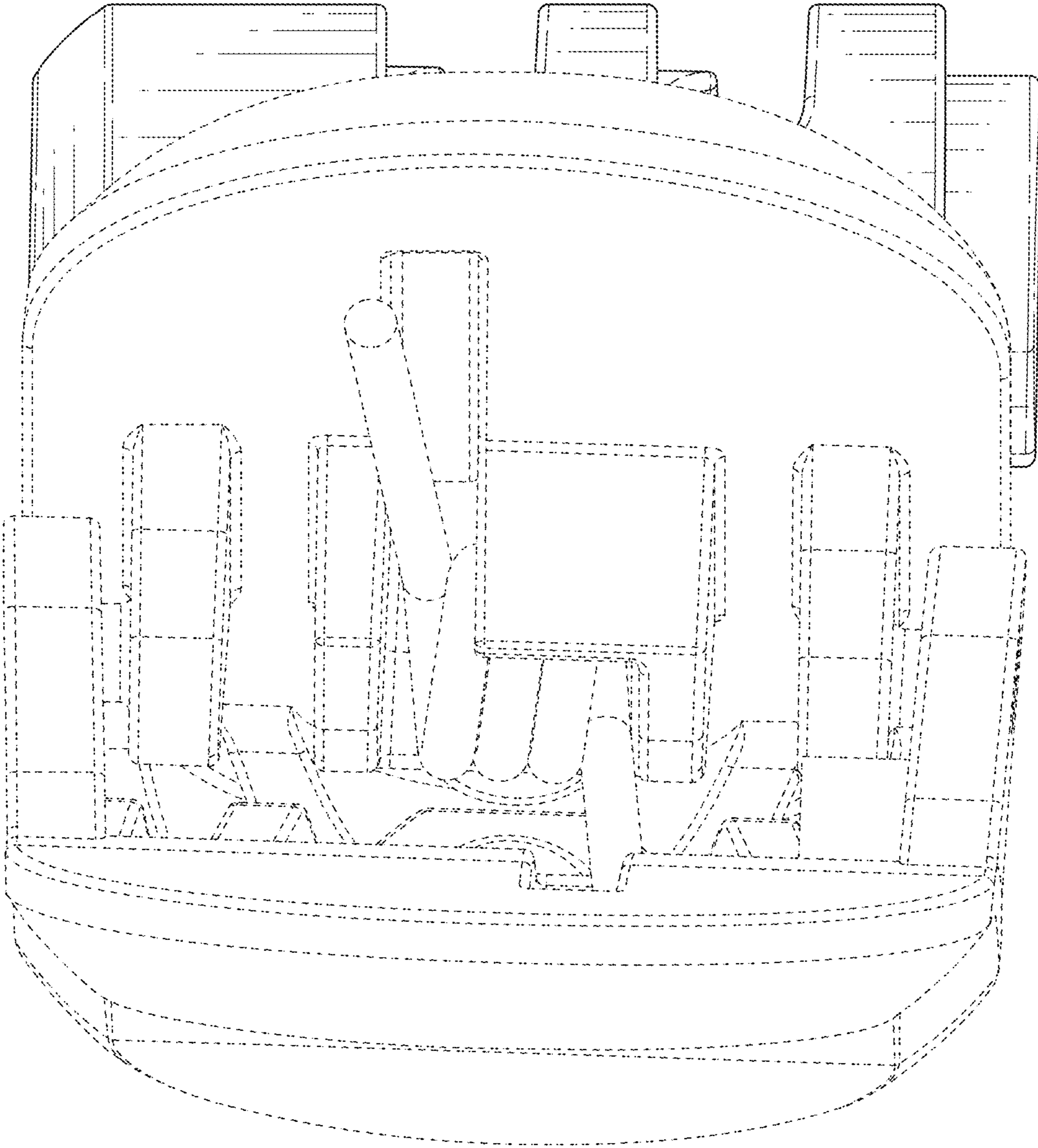


FIG. 3

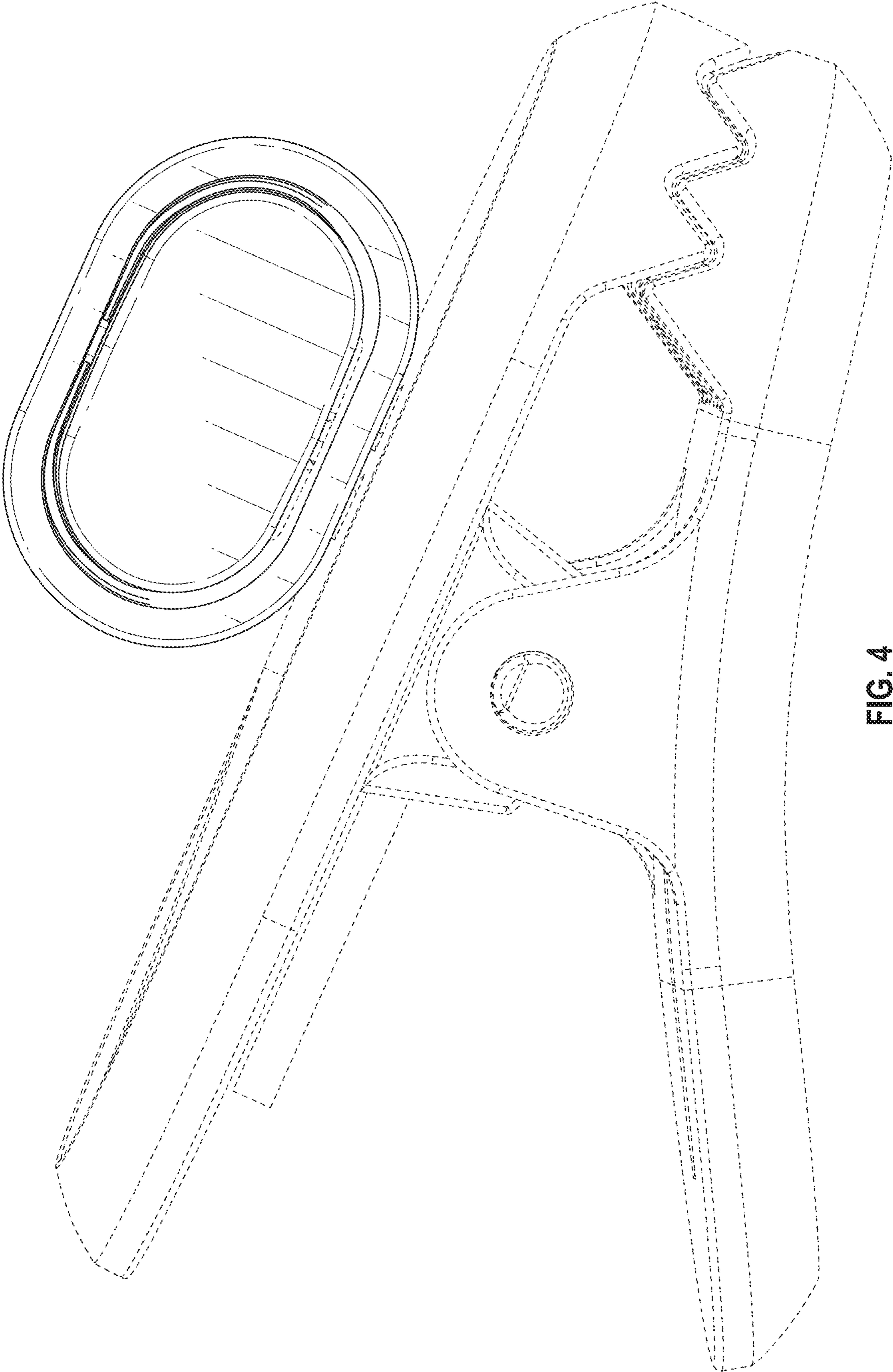


FIG. 4

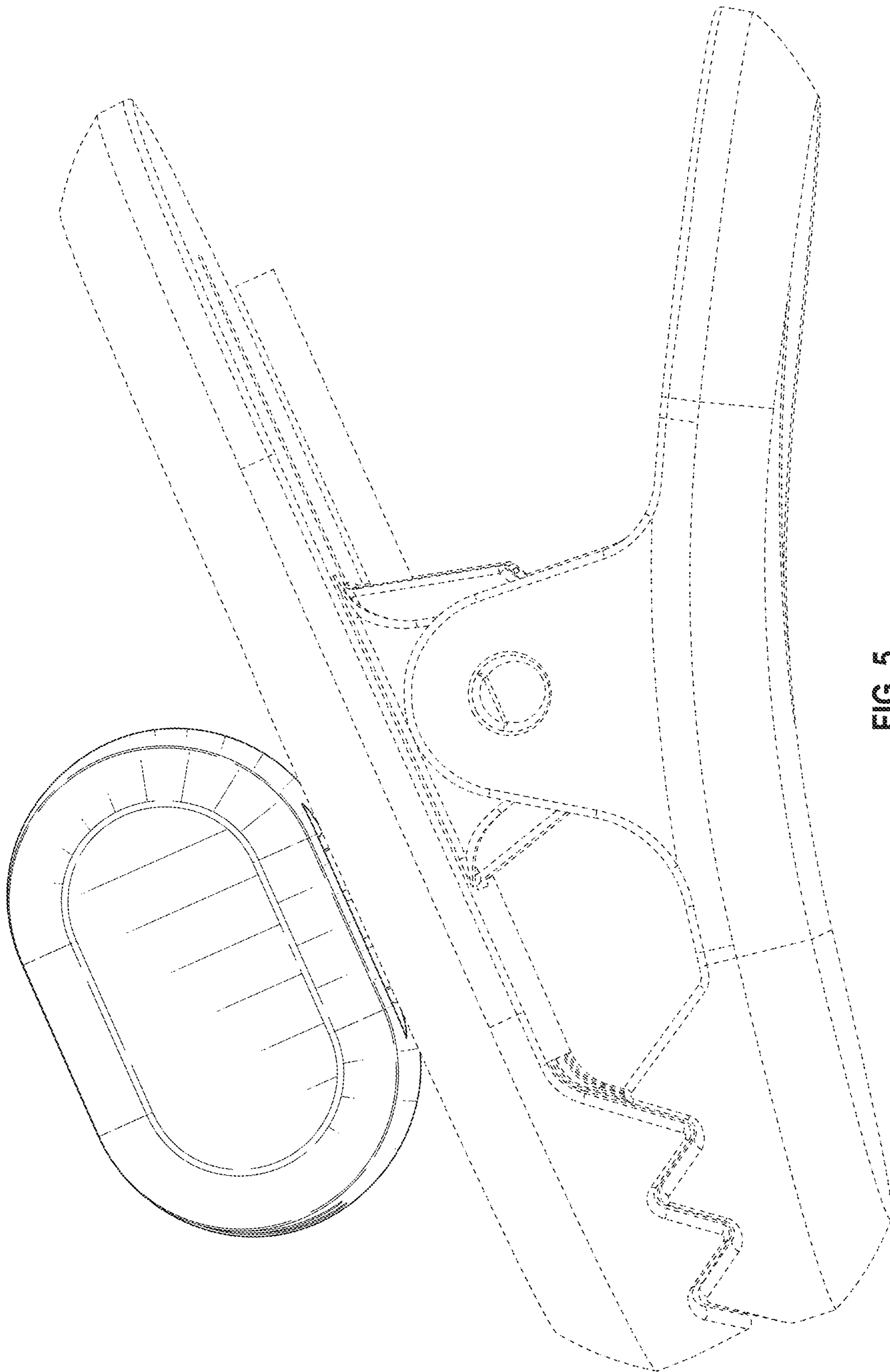


FIG. 5

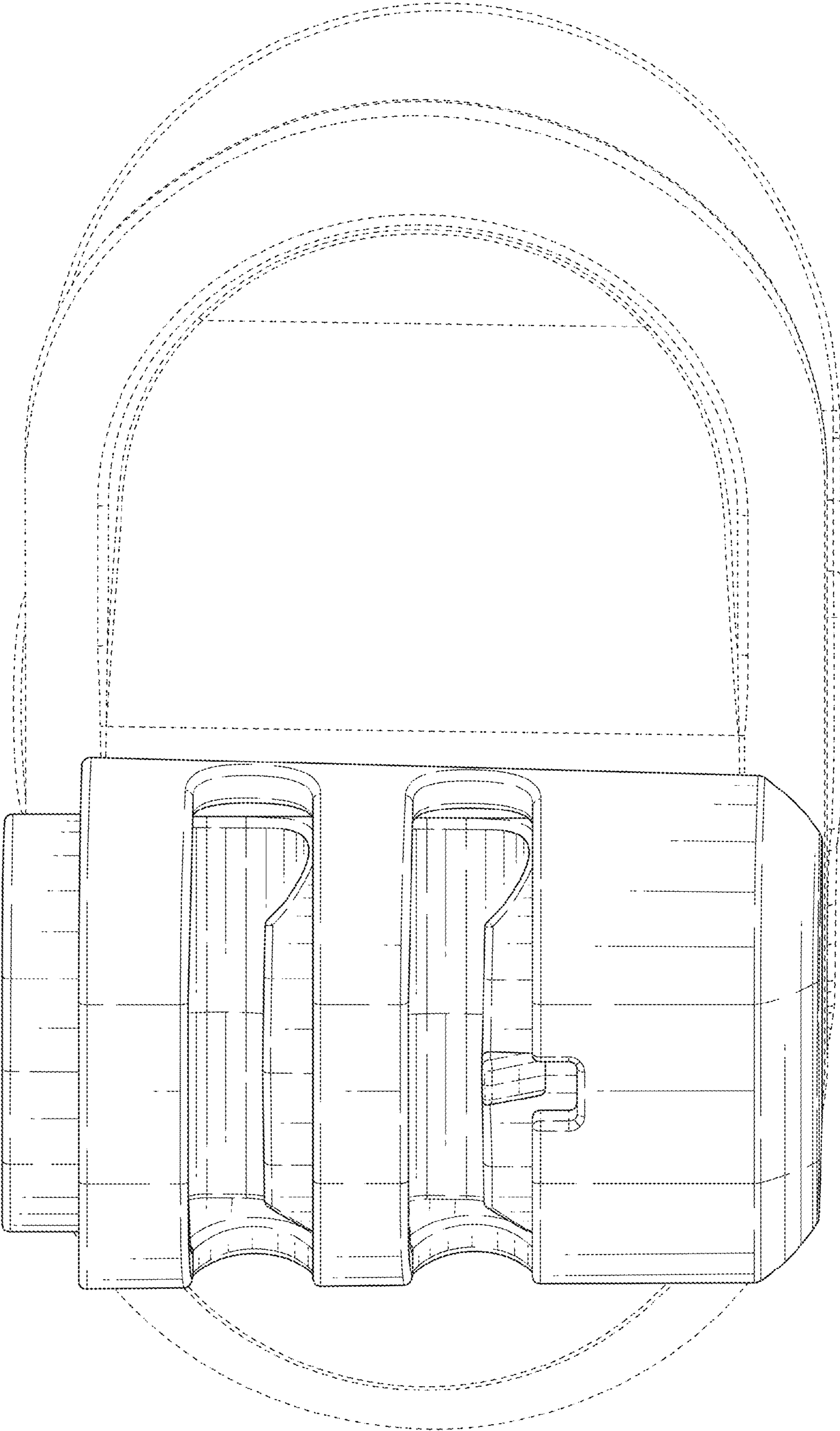


FIG. 6

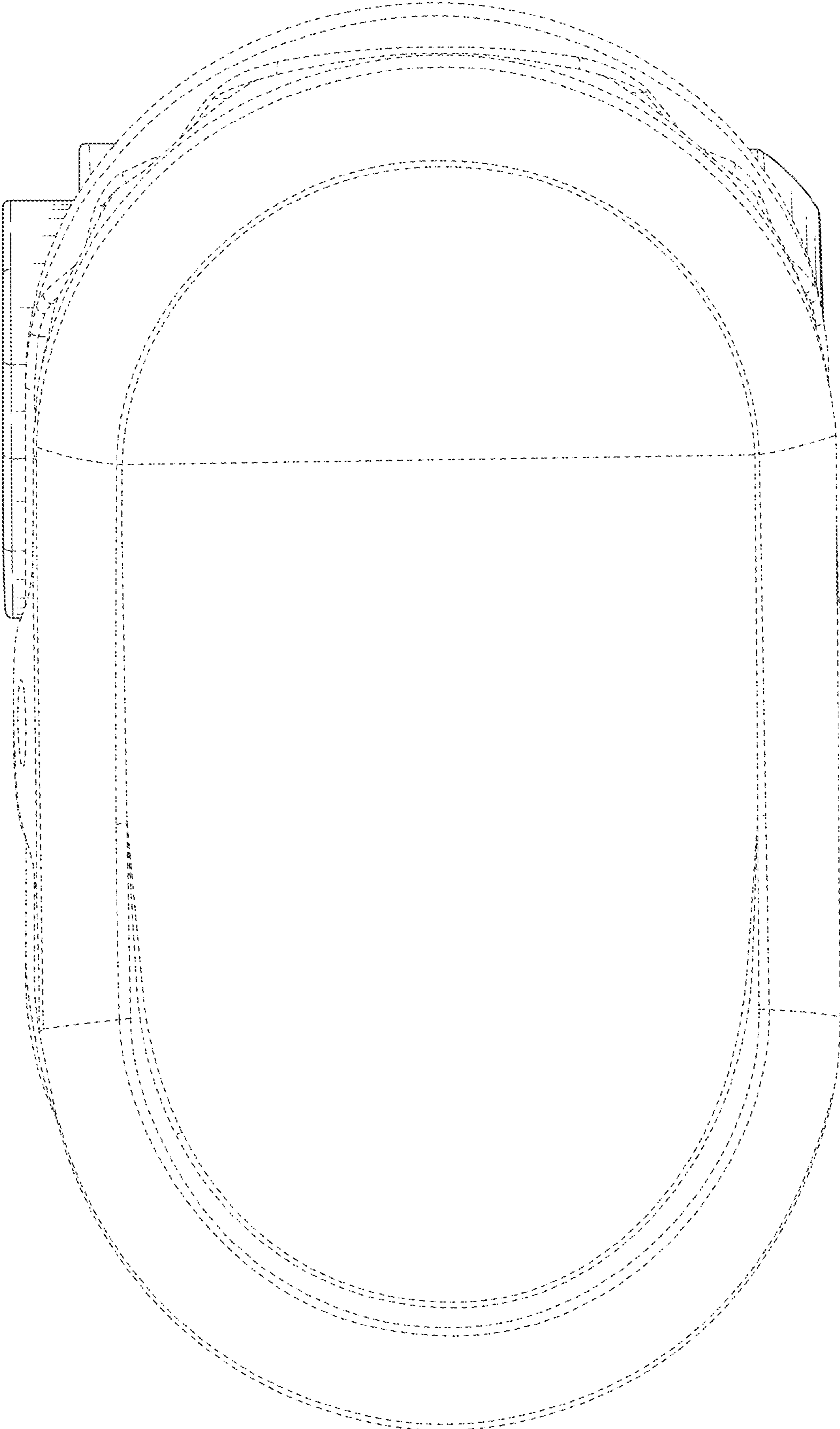


FIG. 7