



US00D975029S

(12) **United States Design Patent**
Olney

(10) **Patent No.:** **US D975,029 S**
(45) **Date of Patent:** **** Jan. 10, 2023**

(54) **ELECTRICAL JUNCTION BOX COVER PLATE**

D871,350 S * 12/2019 Lee D13/156
D920,767 S * 6/2021 Lee D8/352
D930,597 S * 9/2021 C D13/156

(71) Applicant: **Timothy Olney**, Amherst, OH (US)

(72) Inventor: **Timothy Olney**, Amherst, OH (US)

(**) Term: **15 Years**

(21) Appl. No.: **29/724,846**

(22) Filed: **Feb. 19, 2020**

(51) **LOC (14) Cl.** **13-03**

(52) **U.S. Cl.**
USPC **D13/156**

(58) **Field of Classification Search**
USPC D13/151, 154, 155, 156; D8/350, 352,
D8/351
See application file for complete search history.

(56) **References Cited**

U.S. PATENT DOCUMENTS

- 1,773,811 A * 8/1930 Flachbarth H02G 3/185
285/302
- 1,845,629 A * 2/1932 Saylor H02G 15/25
174/91
- D305,863 S * 2/1990 Gresens D8/352
- D464,630 S * 10/2002 Woodworth D13/177
- D725,603 S * 3/2015 Semans D13/156
- D801,286 S * 10/2017 Karlsson D13/156
- D864,125 S * 10/2019 Selig D13/156
- D866,482 S * 11/2019 DeCosta D8/349

OTHER PUBLICATIONS

vintagewireandsupply.com/pipe-room-canopy-industrial/ Pipe Room Canopy Industrial. Dec. 2021. Date Accessed: Oct. 2022. (Year: 2021).*

* cited by examiner

Primary Examiner — Jennifer O King

(74) *Attorney, Agent, or Firm* — Quickpatents, LLC; Kevin Prince

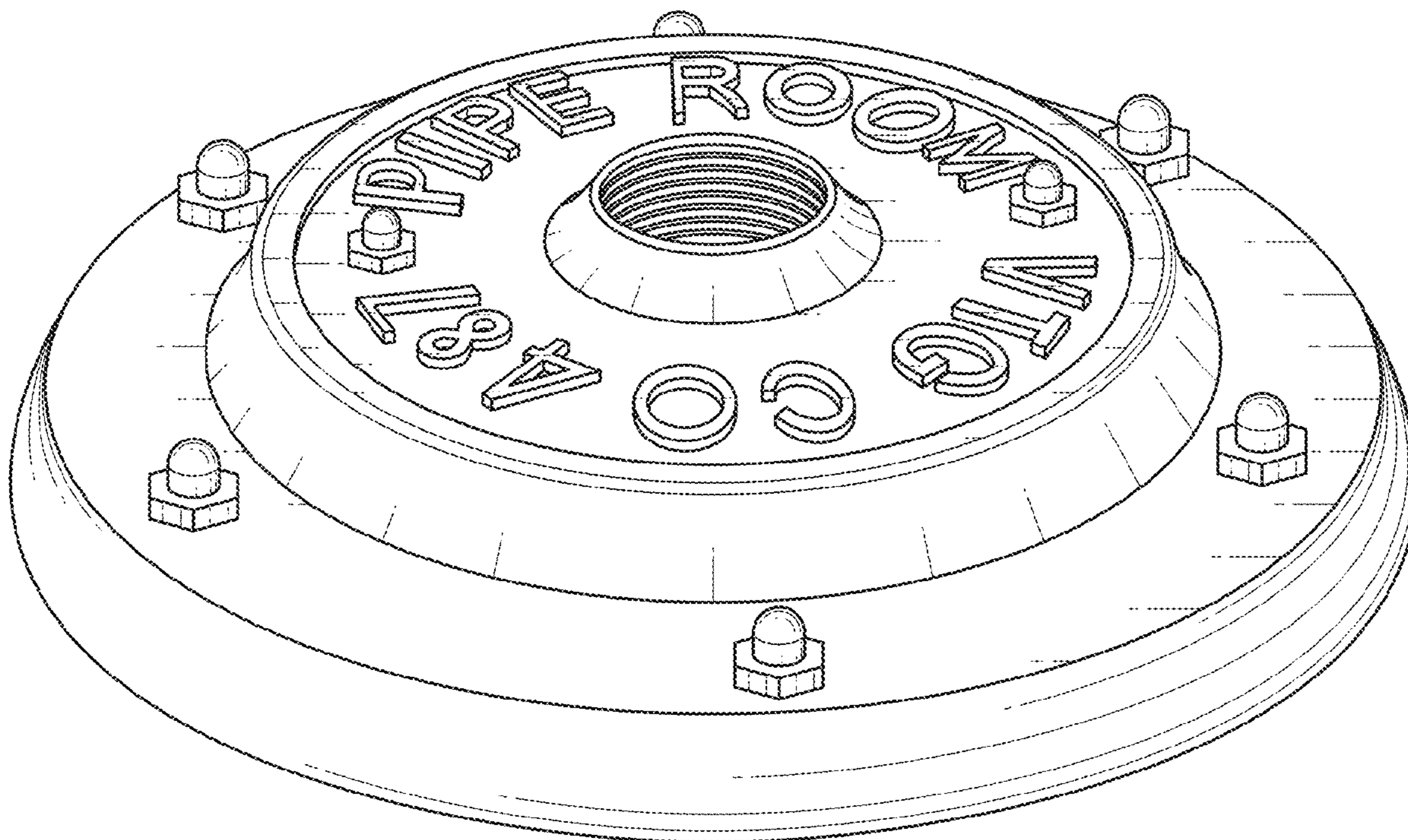
(57) **CLAIM**

The ornamental design for an electrical junction box cover plate, as shown and described.

DESCRIPTION

FIG. 1 is a top perspective view of an electrical junction box cover plate, showing my new design;
FIG. 2 is a bottom perspective view thereof;
FIG. 3 is a front elevational view thereof;
FIG. 4 is a rear elevational view thereof;
FIG. 5 is a left-side elevational view thereof;
FIG. 6 is a right-side elevational view thereof;
FIG. 7 is a top plan view thereof; and,
FIG. 8 is a bottom plan view thereof.

1 Claim, 6 Drawing Sheets



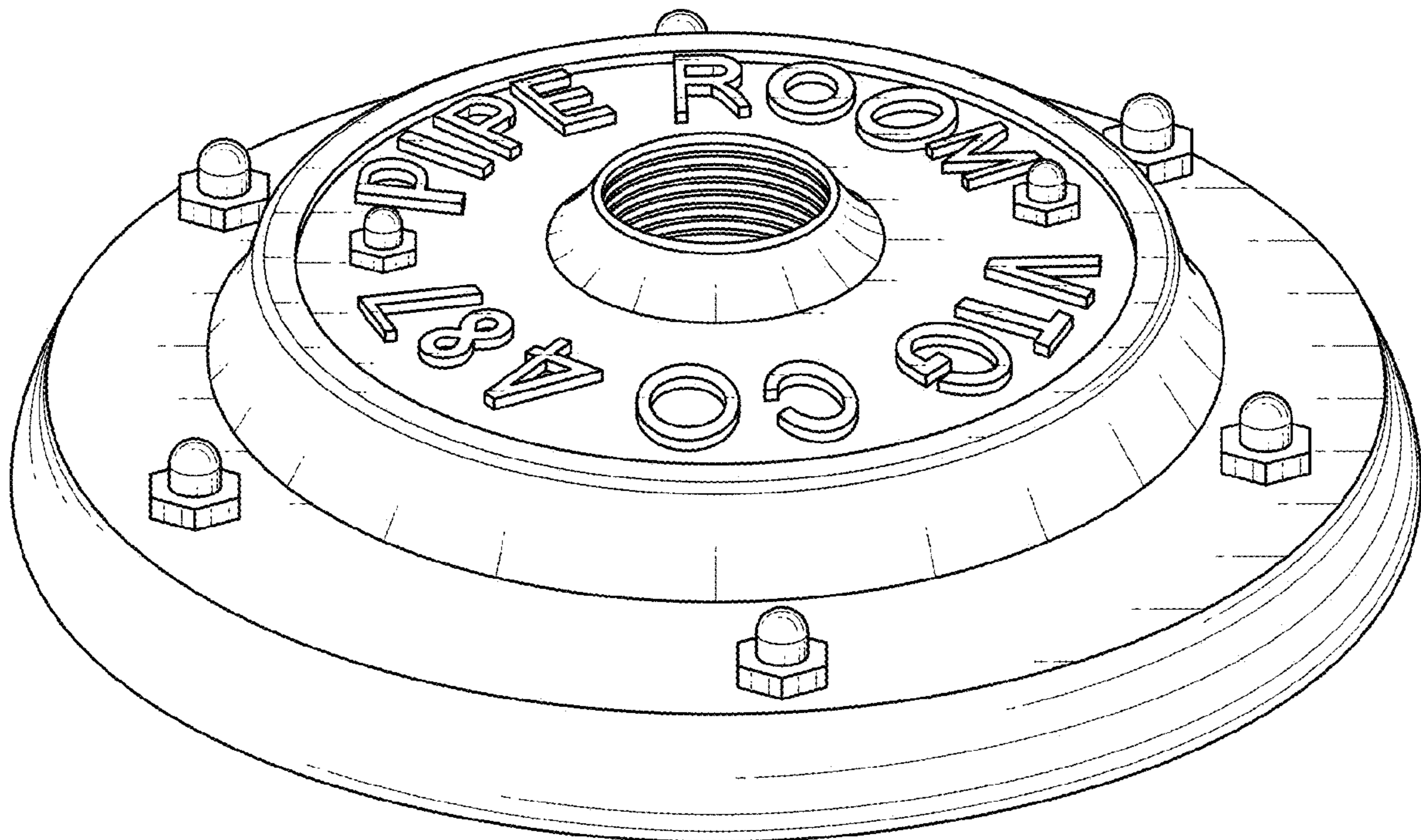


FIG. 1

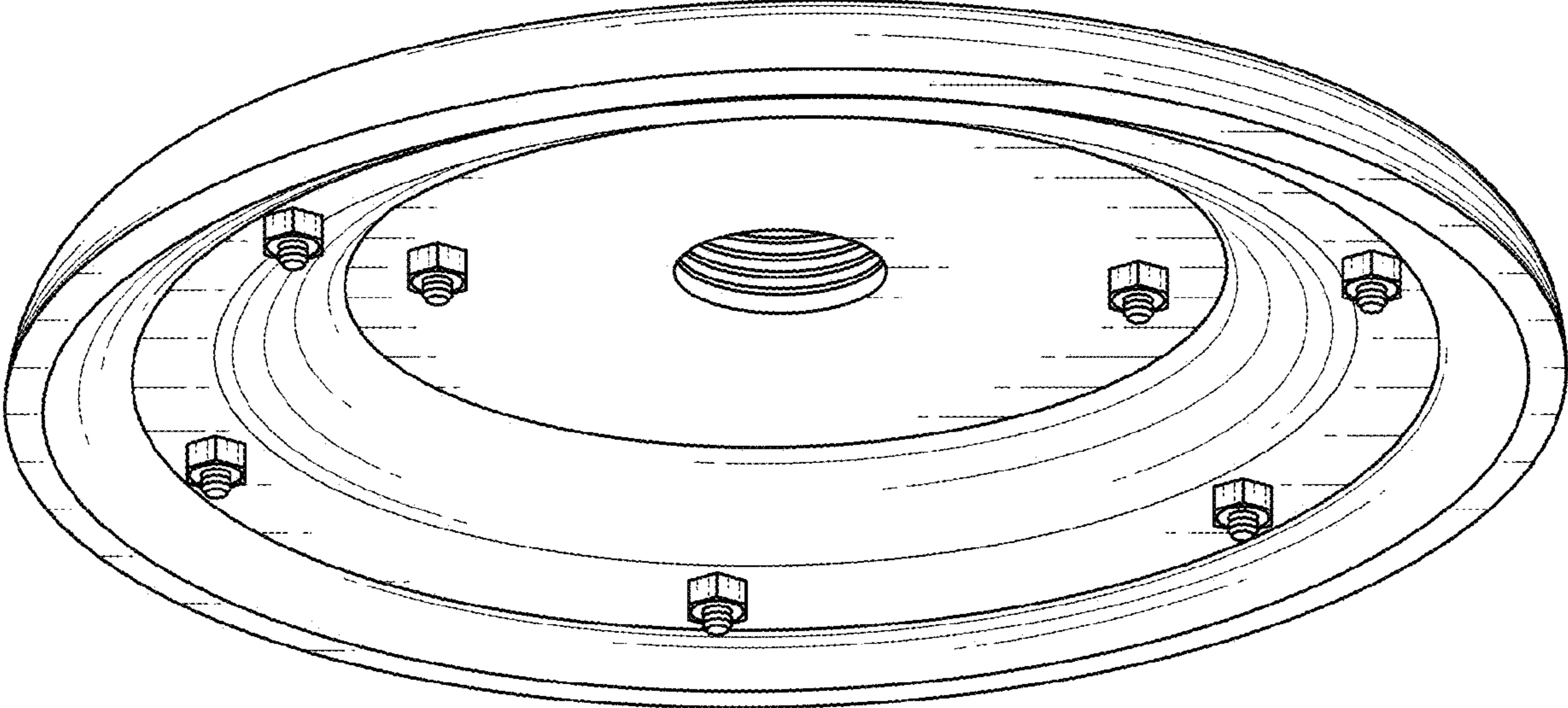


FIG. 2

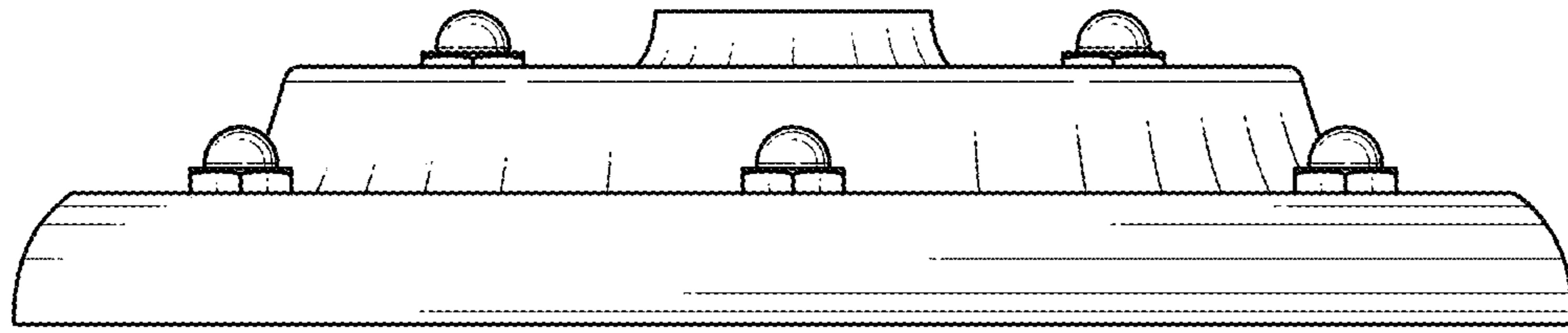


FIG. 3

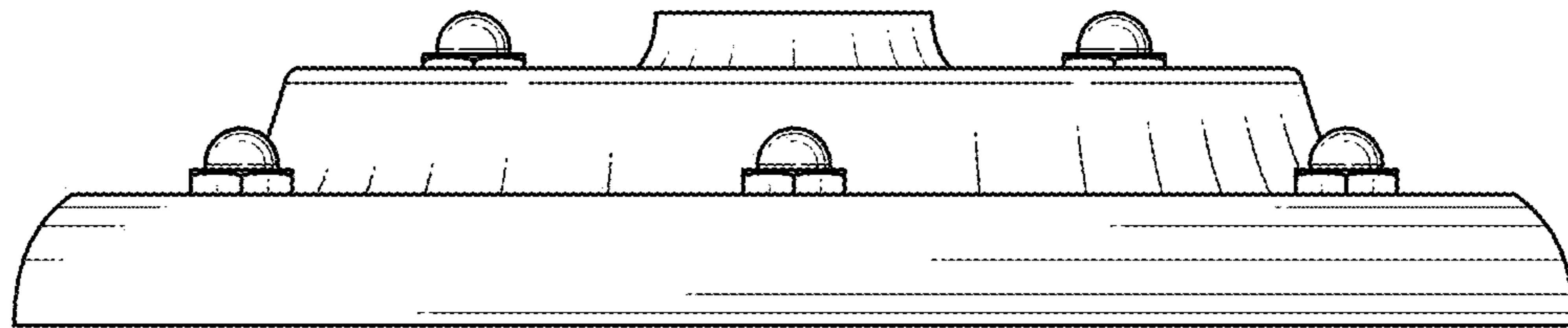


FIG. 4

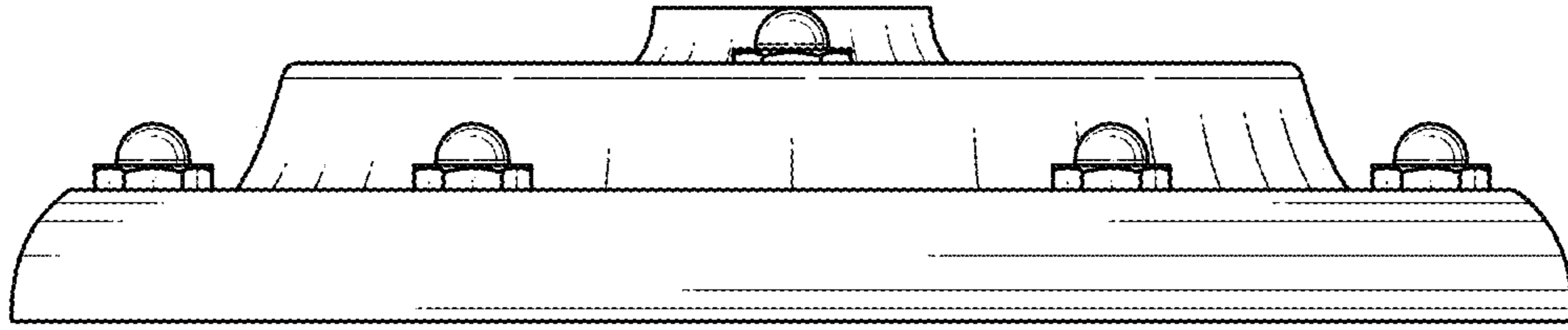


FIG. 5

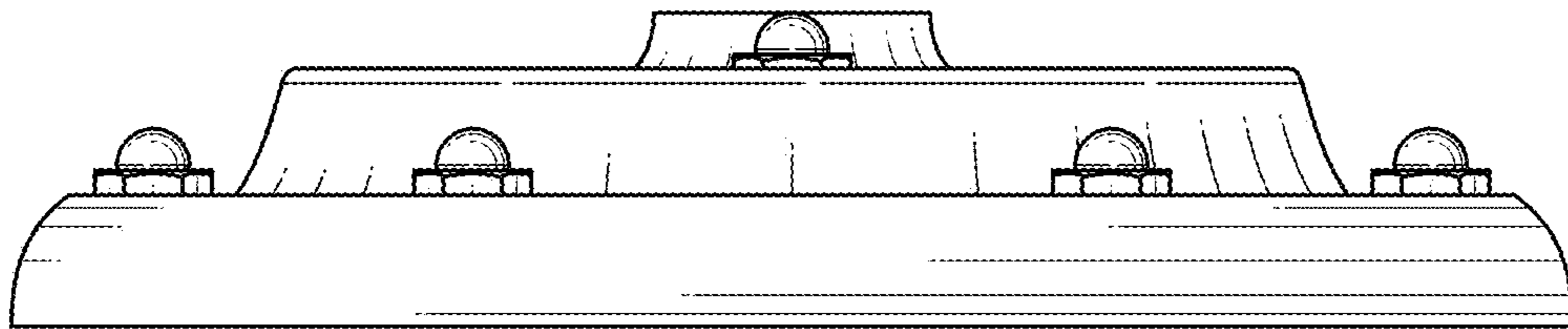


FIG. 6

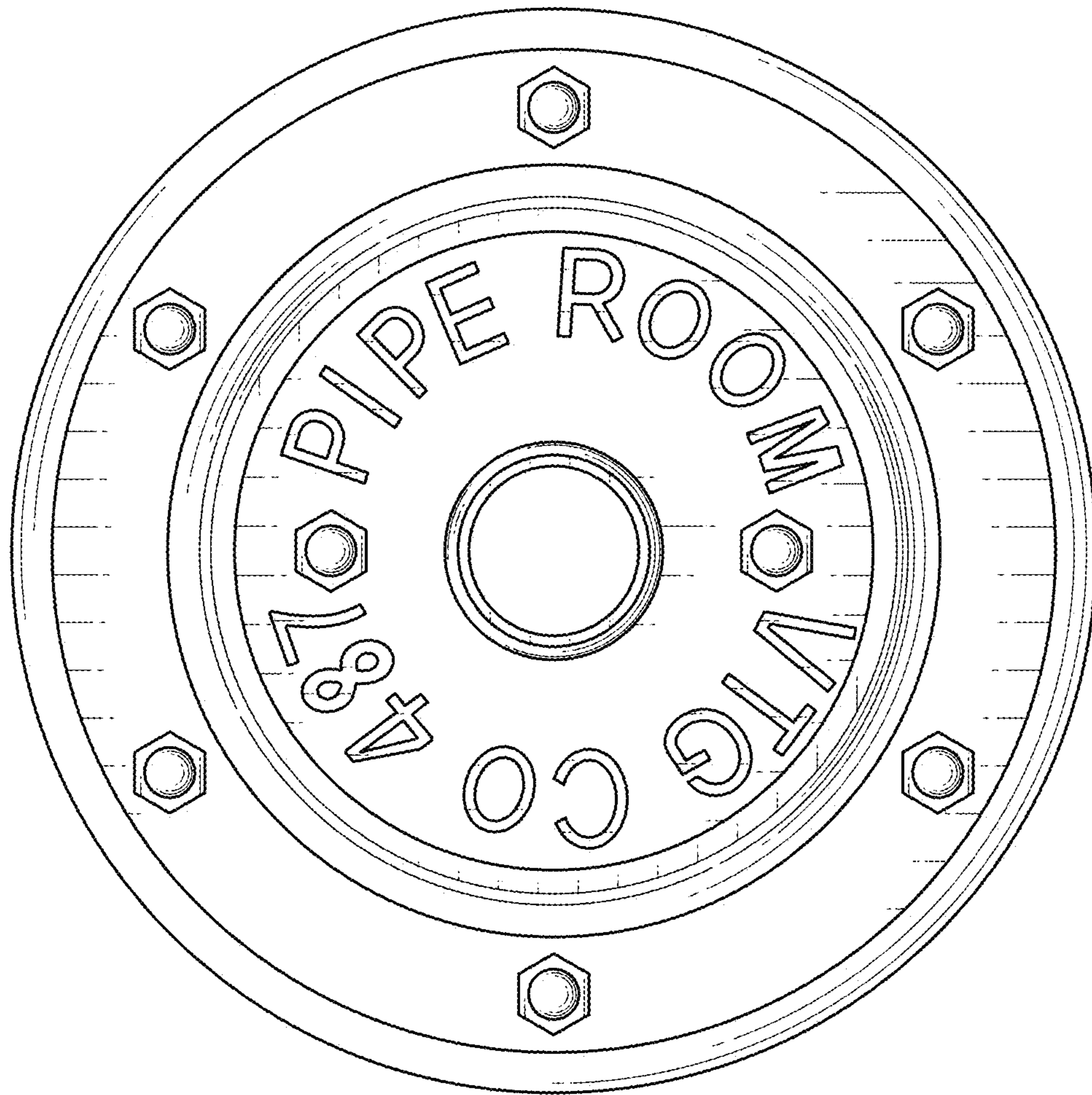


FIG. 7

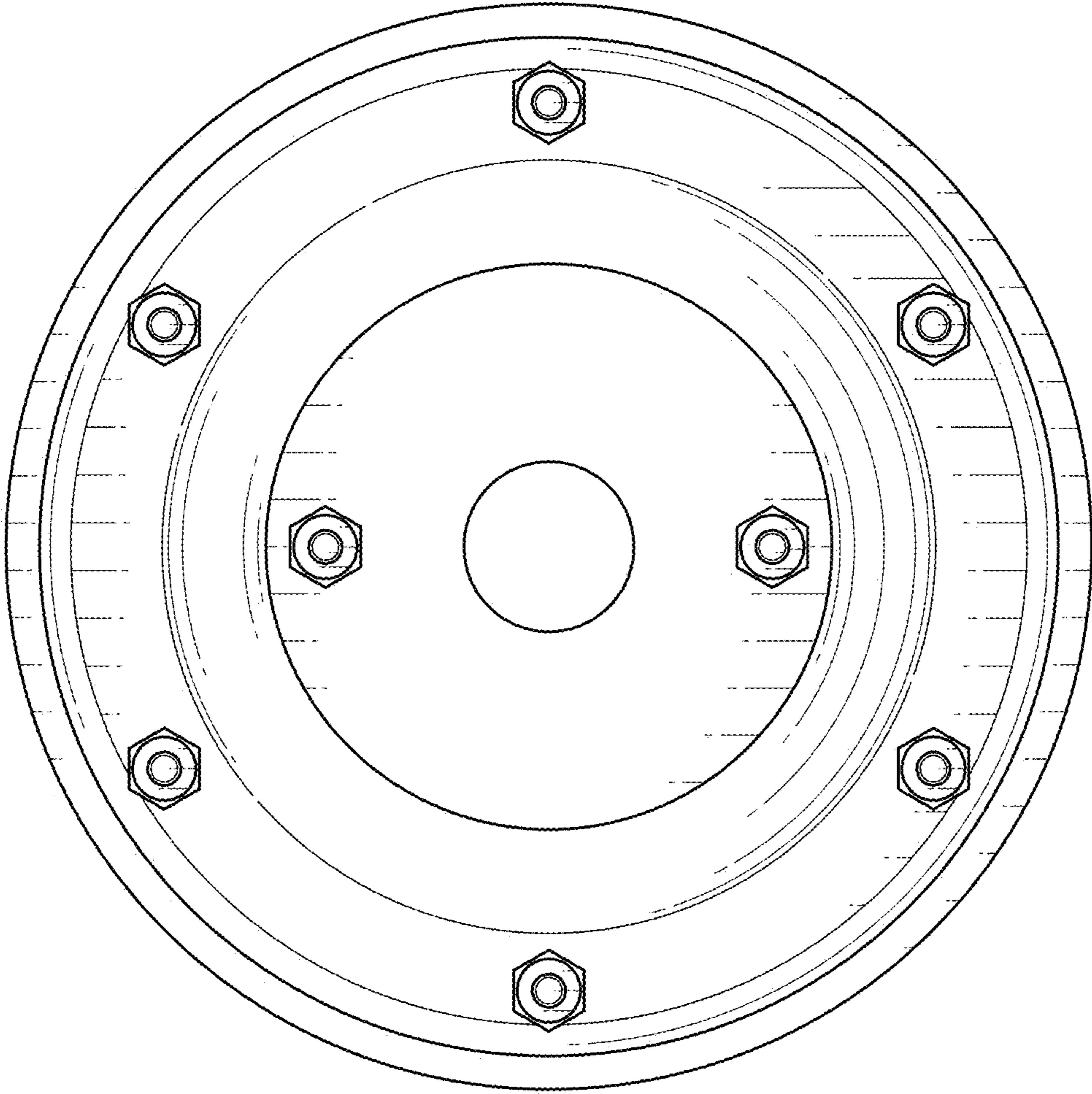


FIG. 8