



US00D975028S

(12) **United States Design Patent** (10) **Patent No.:** **US D975,028 S**  
**Bogart** (45) **Date of Patent:** **\*\* Jan. 10, 2023**

(54) **UTILITY JUNCTION BOX**

FOREIGN PATENT DOCUMENTS

(71) Applicant: **Michael Murray Bogart**, Boynton Beach, FL (US)

CA	100407	* 12/2003
CN	300827776	* 9/2008
CN	301976522	* 7/2012
CN	303207377	* 5/2015
CN	305933241	* 7/2020
CN	307169109	* 3/2022
CN	307255371	* 4/2022

(72) Inventor: **Michael Murray Bogart**, Boynton Beach, FL (US)

(\*\*) Term: **15 Years**

OTHER PUBLICATIONS

(21) Appl. No.: **29/786,329**

“SnowyFox 30 Amp RV Power Outlet Box, Outdoor Electrical 125 Volt NEMA TT-30R Receptacle Enclosed Lockable Weatherproof Electric Car Generator for RV Camper Trailer Motorhome”, first available Jun. 15, 2020. Amazon.com [https://www.amazon.com/dp/B08B67B3GX] (Year: 2020).\*

(22) Filed: **May 31, 2021**

(51) **LOC (14) Cl.** ..... **13-03**

(52) **U.S. Cl.**  
USPC ..... **D13/152**

(58) **Field of Classification Search**  
USPC ..... D13/103, 110, 112, 122, 152, 156, 158,  
D13/184, 199  
CPC ..... H05K 5/00; H05K 5/02; H05K 5/0247;  
H05K 7/00; H05K 7/20; H05K 7/20136;  
H05K 7/20154

See application file for complete search history.

(Continued)

*Primary Examiner* — Rosemary K Tarcza

*Assistant Examiner* — Seth David Kumpf

(56) **References Cited**

(57) **CLAIM**

The ornamental design for a utility junction box, as shown and described.

U.S. PATENT DOCUMENTS

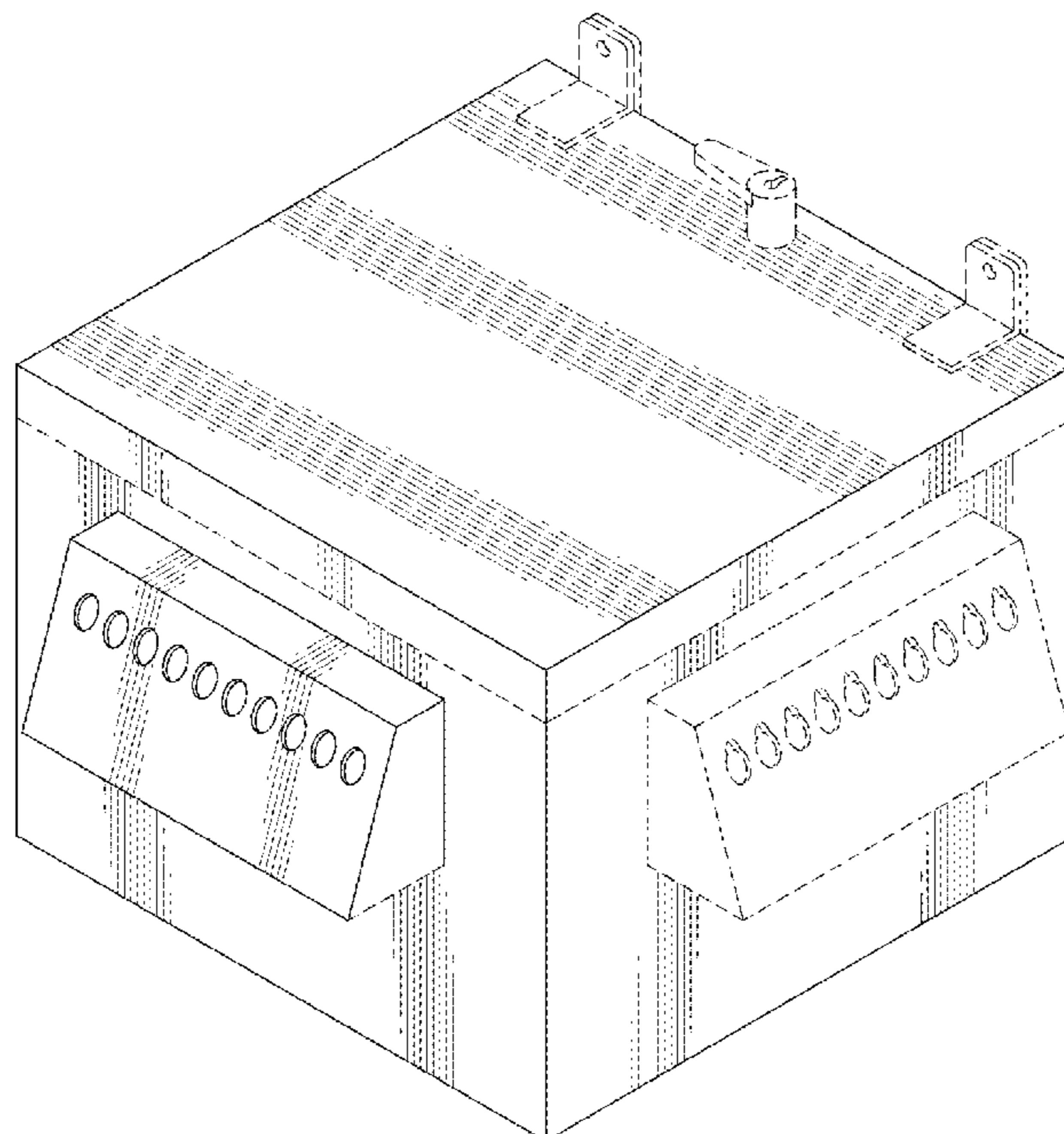
**DESCRIPTION**

D360,877 S *	8/1995	Ropponen	.....	D13/184
D390,834 S *	2/1998	Dizon	.....	D13/184
D428,603 S *	7/2000	Sonntag	.....	D13/184
D437,586 S *	2/2001	Sonntag	.....	D13/184
D702,198 S *	4/2014	Gretz	.....	D13/184
9,742,169 B1 *	8/2017	Matsumura	.....	H02G 3/081
10,090,654 B1 *	10/2018	Like	.....	H02G 3/083
D865,694 S *	11/2019	Xiang	.....	D13/184
D935,466 S *	11/2021	Hermann	.....	D14/432
D946,521 S *	3/2022	Miron	.....	D13/110
2021/0215306 A1 *	7/2021	Fox	.....	F21K 9/232
2021/0384715 A1 *	12/2021	Bogart	.....	H02G 3/088
2022/0014003 A1 *	1/2022	Bogart	.....	H02G 3/088

FIG. 1 is a left perspective view of the utility junction box; FIG. 2 is a rear perspective view thereof; FIG. 3 is a front view thereof; FIG. 4 is a rear view thereof; FIG. 5 is a left side view thereof; FIG. 6 is a right side view thereof; and, FIG. 7 is a top view thereof.

The broken lines depict portions of the utility junction box that form no part of the claimed design.

**1 Claim, 5 Drawing Sheets**



(56)

**References Cited**

OTHER PUBLICATIONS

“GERSIK Outdoor Stainless Steel Electrical Box Enclosure, IP65 Waterproof Junction Box, Weatherproof Nema Enclosure Box, Wall-mounted Project Boxes for Electronics with Insulation Mounting Plate 11.8" × 9.8" × 5.5"”, first available Nov. 14, 2021. Amazon.com [<https://www.amazon.com/dp/B09LT71H9J>] (Year: 2021).\*

“RVINGPRO 30 Amp 125 Volt RV Power Outlet Box, Enclosed Lockable Weatherproof Outdoor Electrical NEMA TT-30R Receptacle Panel, ETL Listed, Black”, first available Jul. 22, 2021. Amazon.com [<https://www.amazon.com/dp/B09B1PQPYT>] (Year: 2021).\*

“BUD Industries JB-3953-KO Steel NEMA 1 Sheet Metal Junction Box 6 L × 4 W × 4 H, Gray”, first available Oct. 11, 2011. Amazon.com [<https://www.amazon.com/dp/B005UP9KZG>] (Year: 2011).\*

\* cited by examiner

FIG. 1

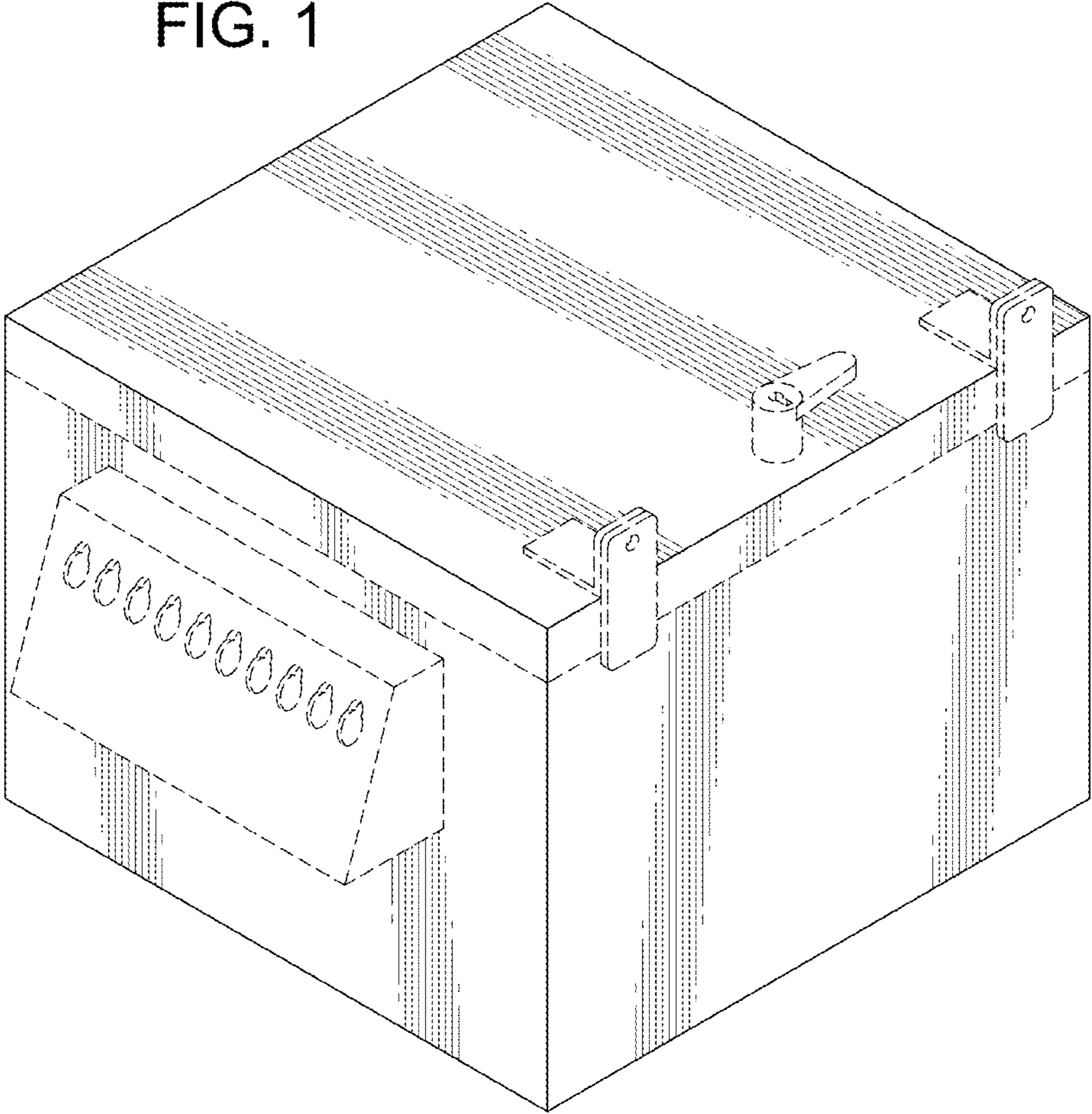


FIG. 2

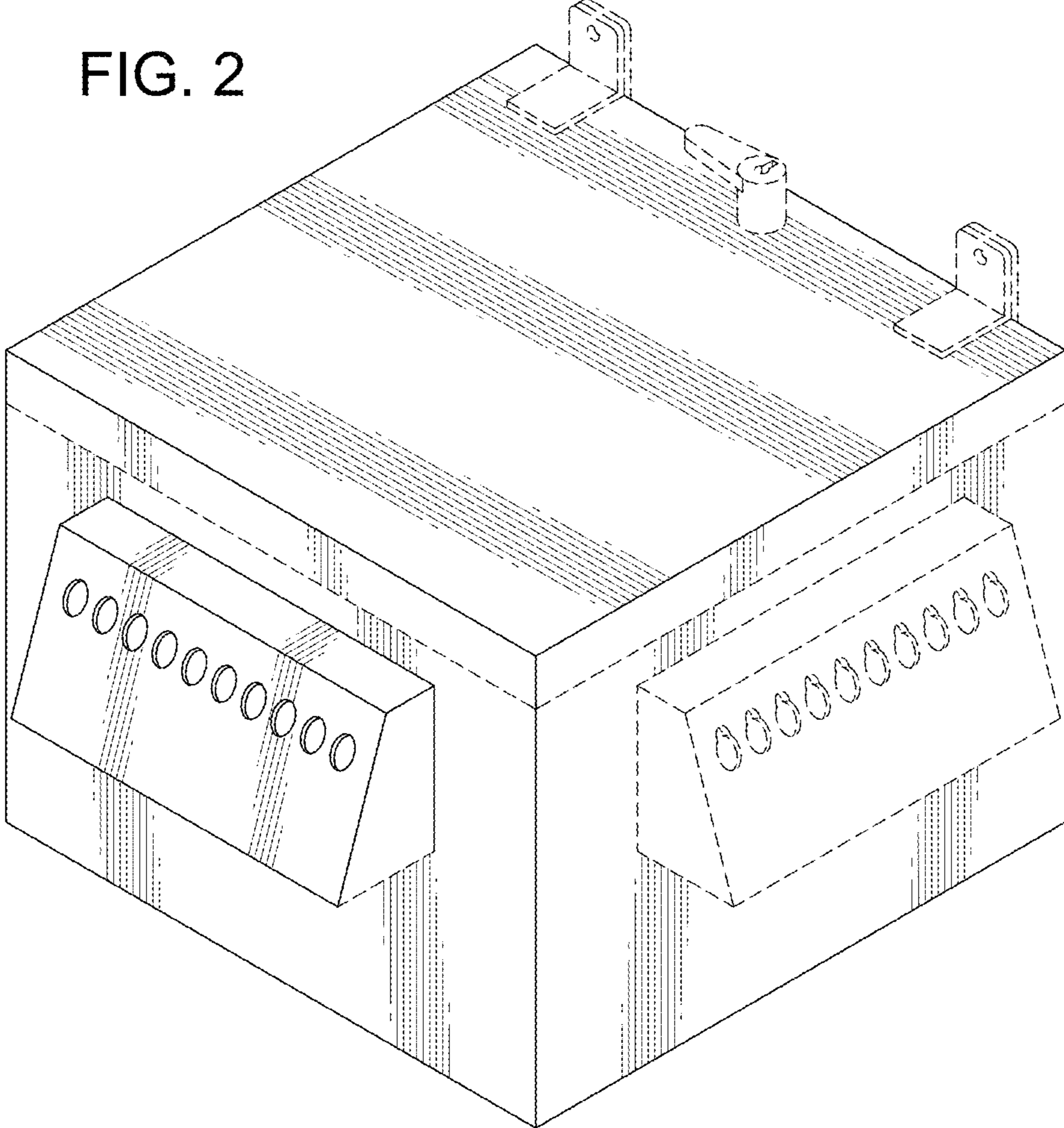


FIG. 3

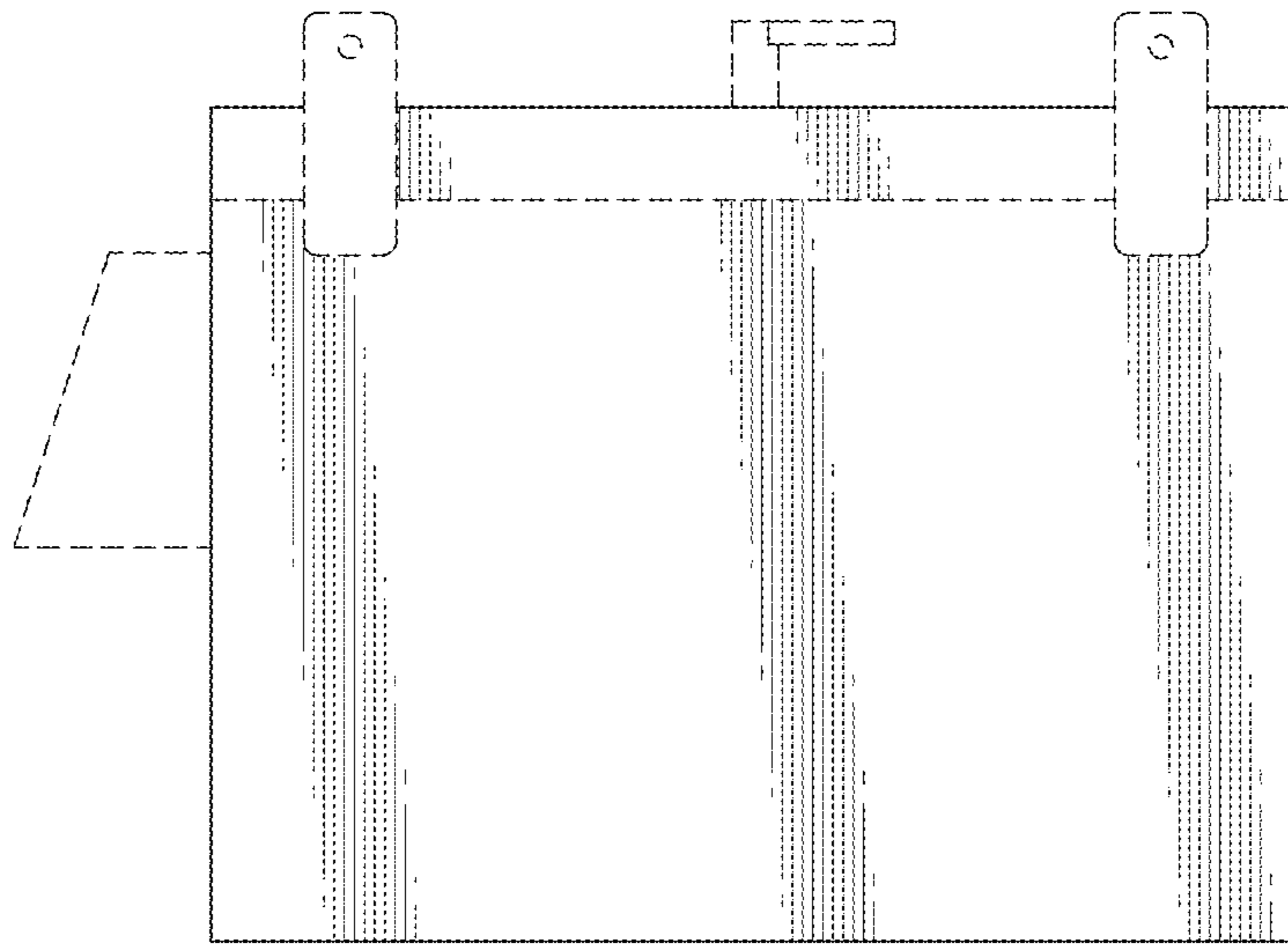


FIG. 4

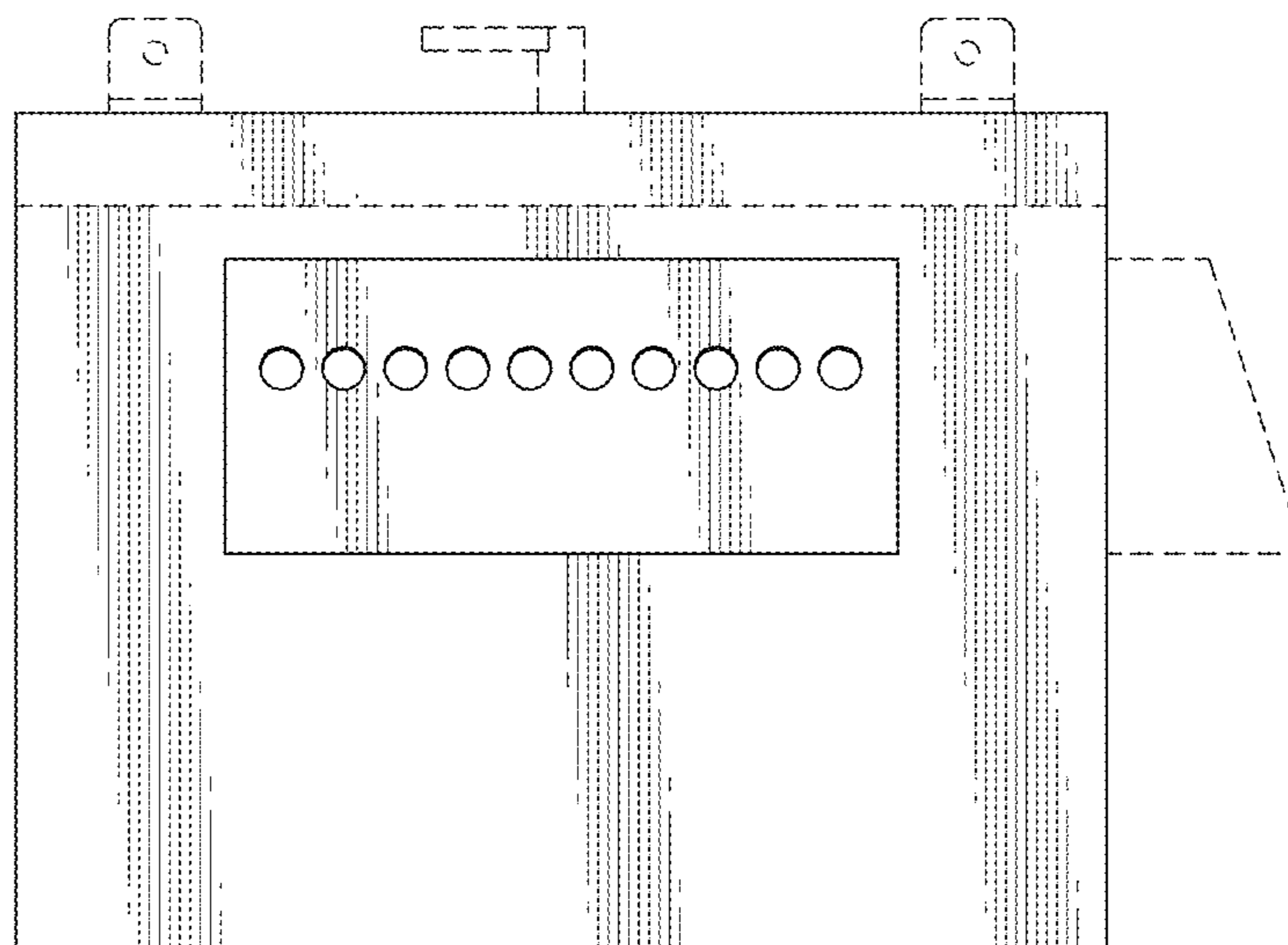


FIG. 5

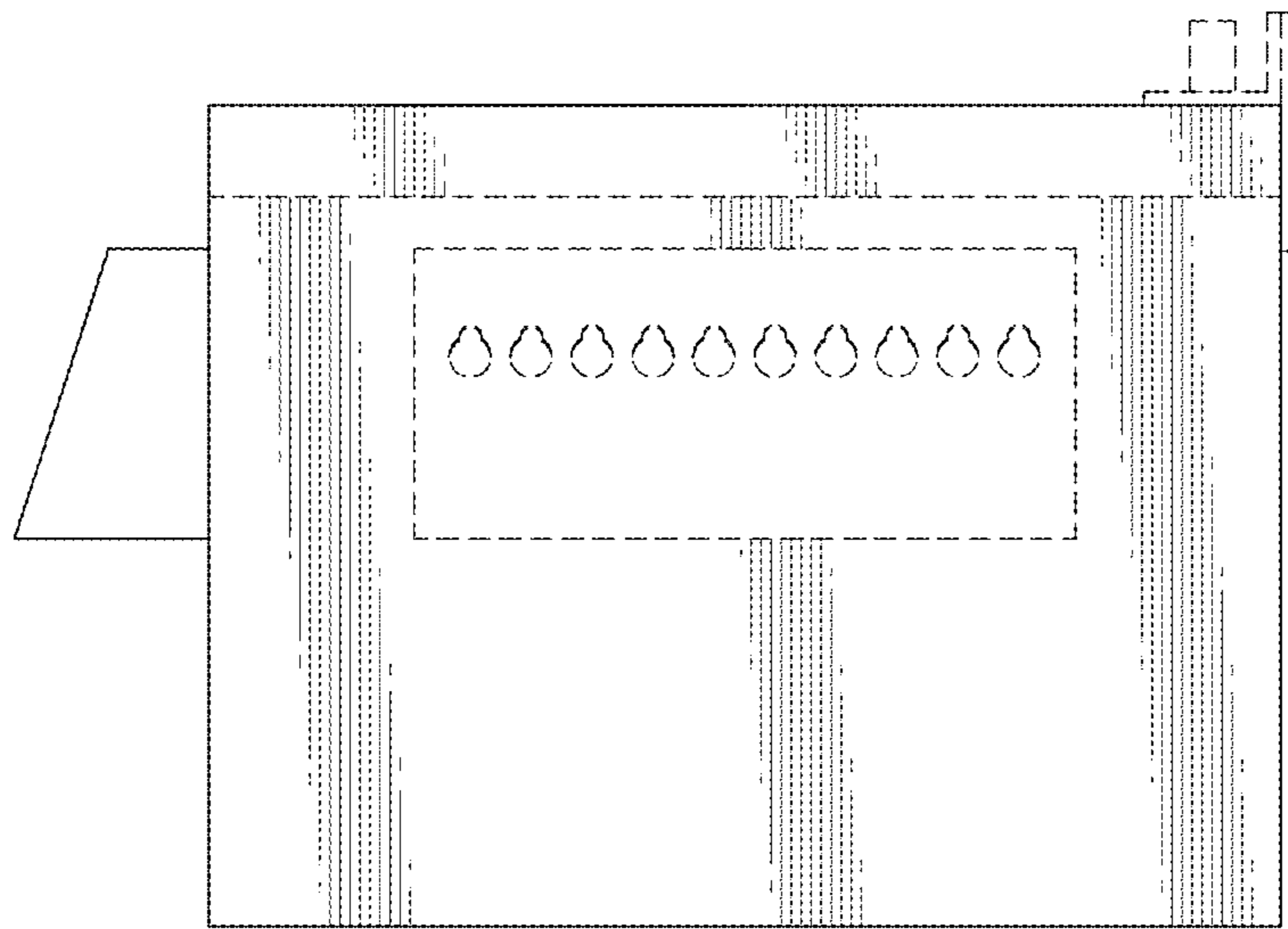


FIG. 6

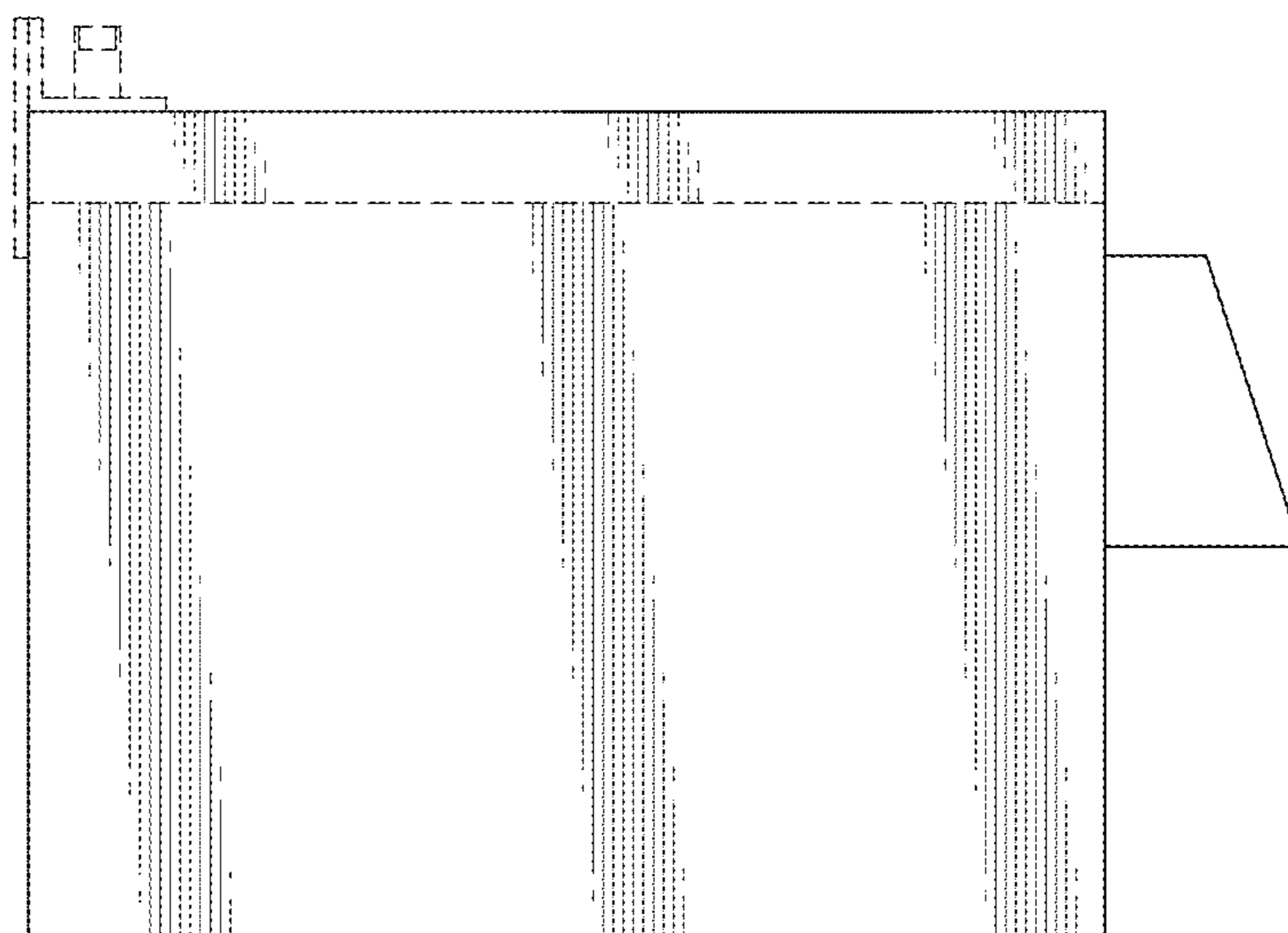


FIG. 7

