



US00D975027S

(12) **United States Design Patent**
Chen

(10) **Patent No.:** **US D975,027 S**

(45) **Date of Patent:** **** Jan. 10, 2023**

(54) **JUNCTION BOX**

(71) Applicant: **TIMOTION TECHNOLOGY CO., LTD.**, New Taipei (TW)

(72) Inventor: **Yi-Chun Chen**, New Taipei (TW)

(73) Assignee: **TIMOTION TECHNOLOGY CO., LTD.**, New Taipei (TW)

(**) Term: **15 Years**

(21) Appl. No.: **29/776,311**

(22) Filed: **Mar. 29, 2021**

(51) **LOC (14) Cl.** **13-03**

(52) **U.S. Cl.**
USPC **D13/152**

(58) **Field of Classification Search**
USPC D13/103, 110, 112, 122, 152, 156, 158,
D13/184, 199
CPC H05K 5/00; H05K 5/02; H05K 5/0247;
H05K 7/00; H05K 7/20; H05K 7/20136;
H05K 7/20154
See application file for complete search history.

(56) **References Cited**

U.S. PATENT DOCUMENTS

D246,852 S *	1/1978	Deitch	D13/133
D253,105 S *	10/1979	Legerius	D13/152
D396,692 S *	8/1998	Shen	D13/152
D840,944 S *	2/2019	Tejera-Sosa	D13/152
D884,824 S *	5/2020	Baker	D22/119
D896,864 S *	9/2020	Hasani	D16/203
D896,865 S *	9/2020	Hasani	D16/203
D897,511 S *	9/2020	Deivasigamani	D23/318
D912,192 S *	3/2021	Baker	D22/119
D938,920 S *	12/2021	O'Hanlan	D13/152
2003/0000720 A1 *	1/2003	Sato	H02G 3/088 174/50

2018/0083375 A1 *	3/2018	Matsumura	B60R 16/0238
2021/0317956 A1 *	10/2021	Jeswani	F21V 21/04
2022/0111808 A1 *	4/2022	Tomita	H02G 3/16

FOREIGN PATENT DOCUMENTS

JP	D1383731	*	4/2009
KR	301094707.0000	*	2/2021
TW	217080-0001	*	2/2022

OTHER PUBLICATIONS

“Zulkit Junction Box ABS Plastic Dustproof Waterproof IP65 Electrical Boxes Hinged Shell Outdoor Universal Project Enclosure with 2 Cable Glands 5.9×3.9×2.8 inch (150×100×70mm)(Outer Size)”, first available Oct. 8, 2020. Amazon.com [https://www.amazon.com/dp/B08KY7VK8W] (Year: 2020).*

(Continued)

Primary Examiner — Rosemary K Tarcza
Assistant Examiner — Seth David Kumpf
(74) *Attorney, Agent, or Firm* — Chun-Ming Shih; HDLS IPR Services

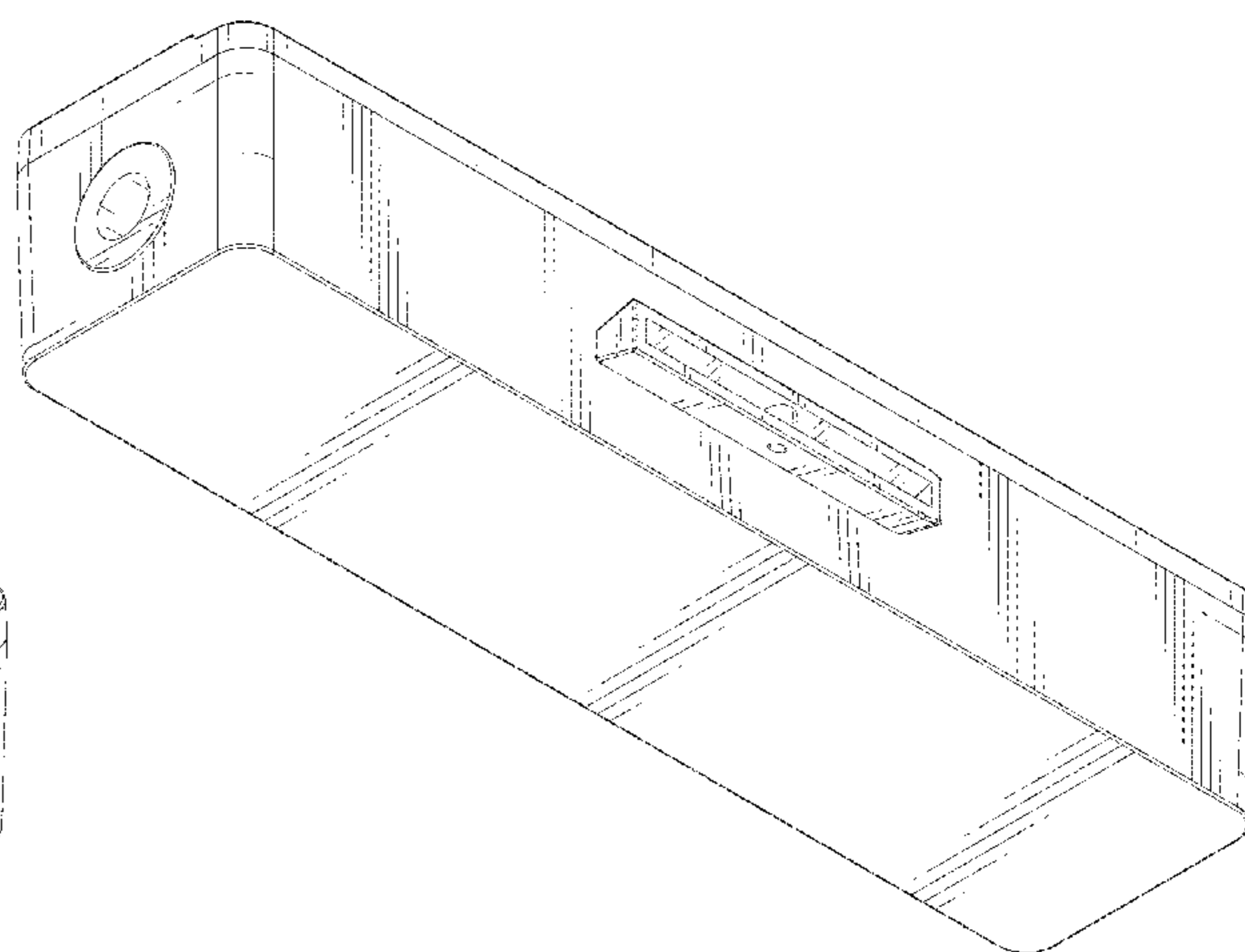
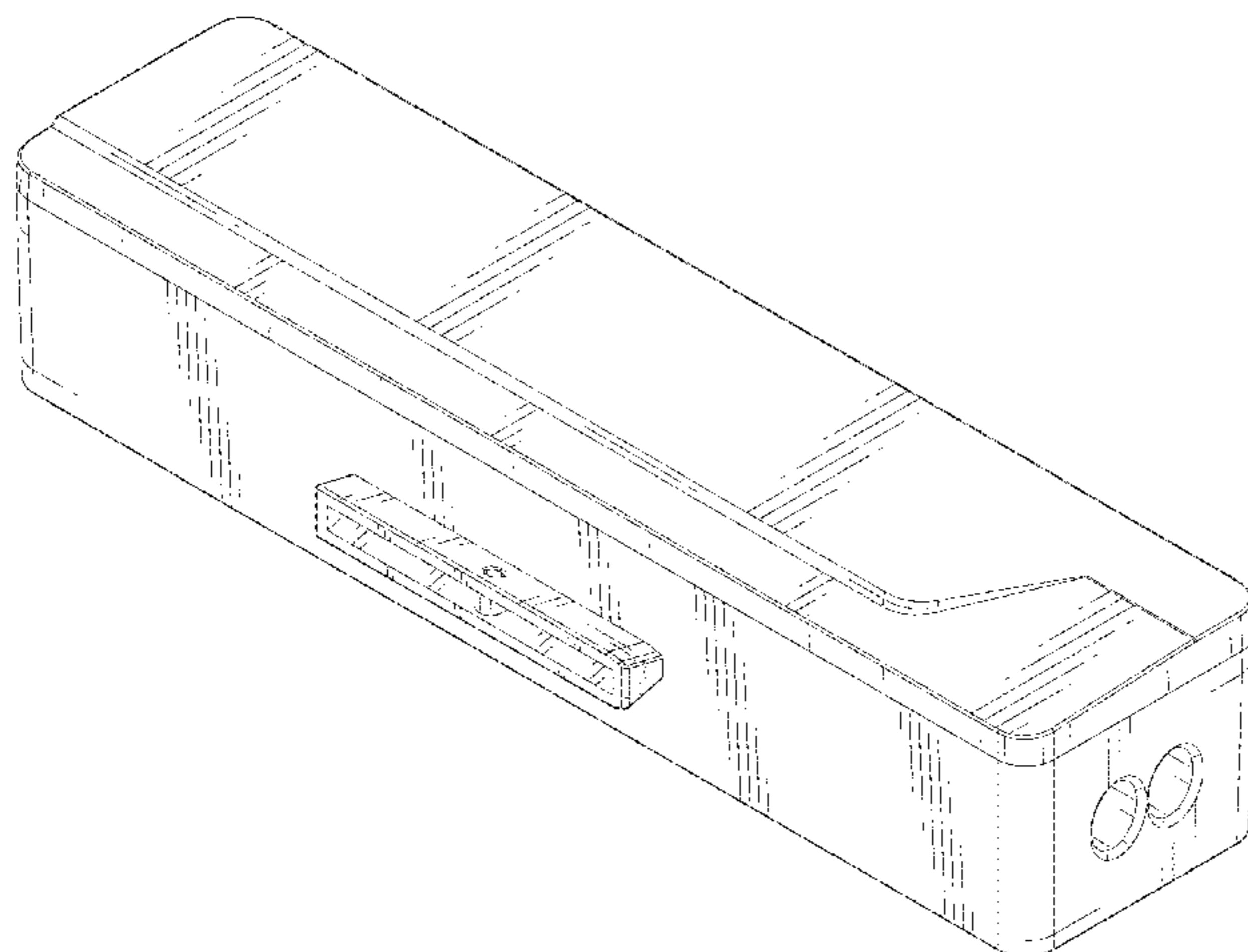
(57) **CLAIM**

The ornamental design for a junction box, as shown and described.

DESCRIPTION

FIG. 1 is a perspective view of a junction box showing my new design;
FIG. 2 is a front view thereof;
FIG. 3 is a rear view thereof;
FIG. 4 is a left side view thereof;
FIG. 5 is a right side view thereof;
FIG. 6 is a top view thereof;
FIG. 7 is a bottom view thereof; and,
FIG. 8 is a second perspective view thereof.
The broken lines in the drawings illustrate portions of the junction box that form no part of the claimed design.

1 Claim, 8 Drawing Sheets



(56)

References Cited

OTHER PUBLICATIONS

“LeMotech ABS Plastic Dustproof Waterproof IP65 Junction Box Universal Electrical Project Enclosure White 7.9×6.1×3.1 inch (200×155×80 mm)”, first available Nov. 14, 2017. Amazon.com [https://www.amazon.com/dp/B075DKNQSM] (Year: 2017).*

“GERSIK Outdoor Stainless Steel Electrical Box Enclosure, IP65 Waterproof Junction Box, Weatherproof Nema Enclosure Box, Wall-mounted Project Boxes for Electronics with Insulation Mounting Plate 11.8"×9.8"×5.5"”, first available Nov. 14, 2021. Amazon.com [https://www.amazon.com/dp/B09LT71H9J] (Year: 2021).*

* cited by examiner

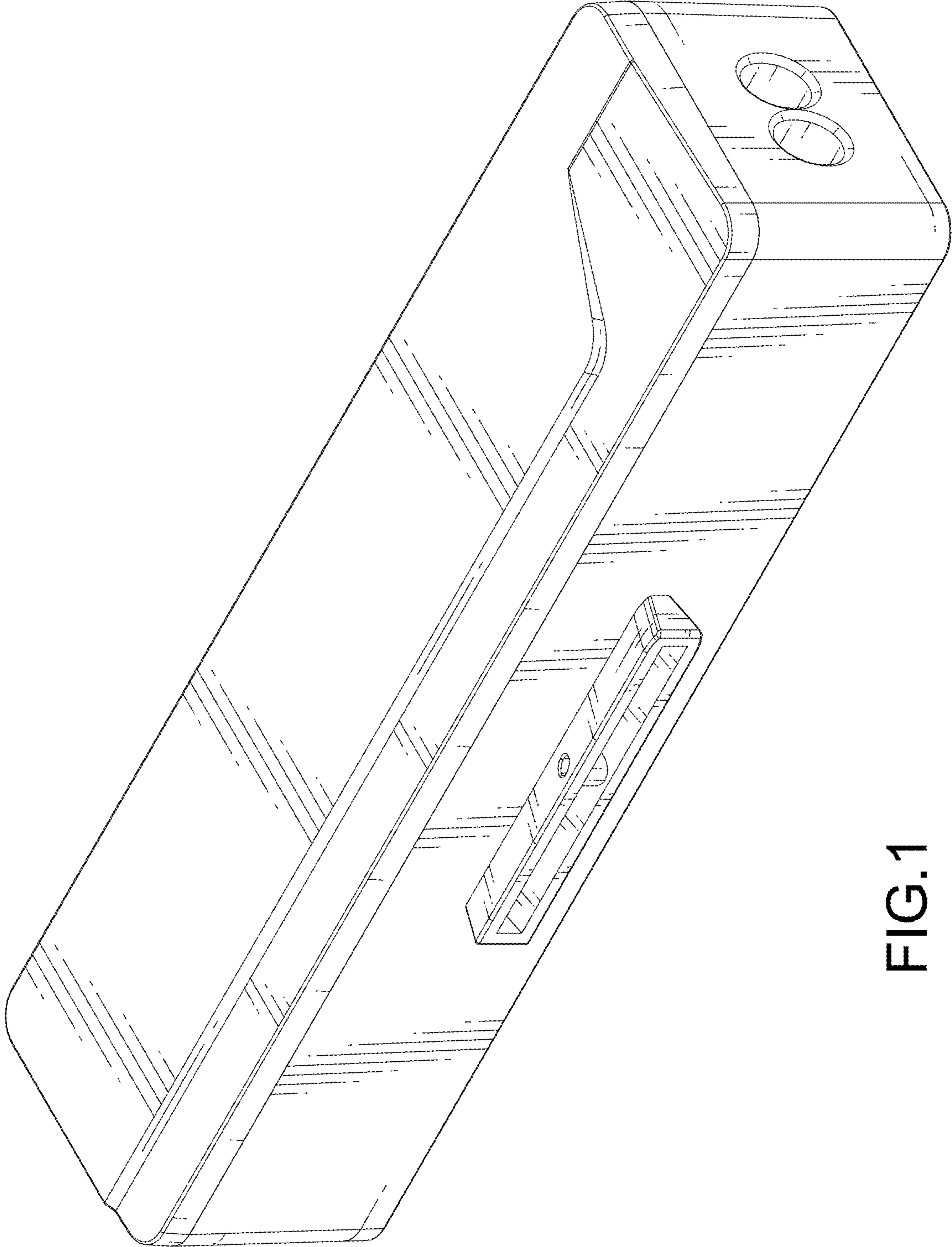


FIG.1

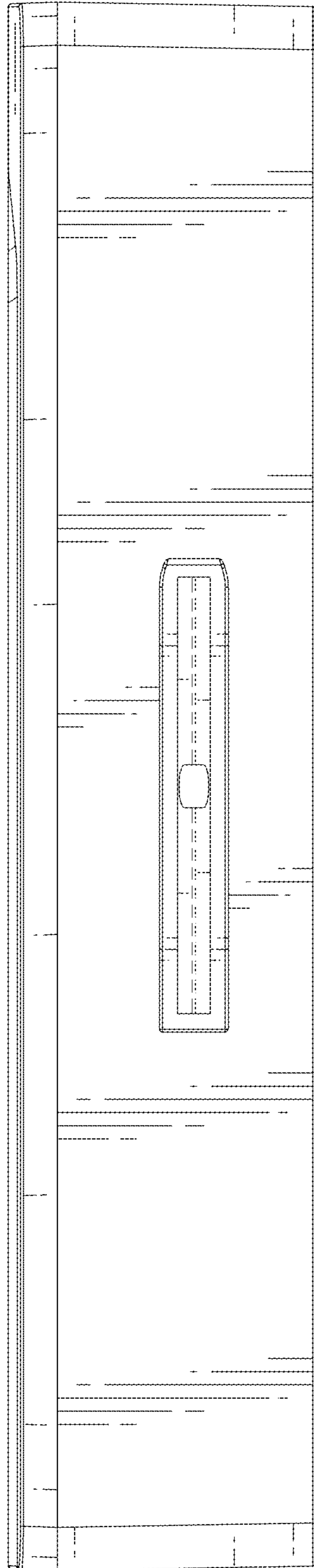


FIG.2

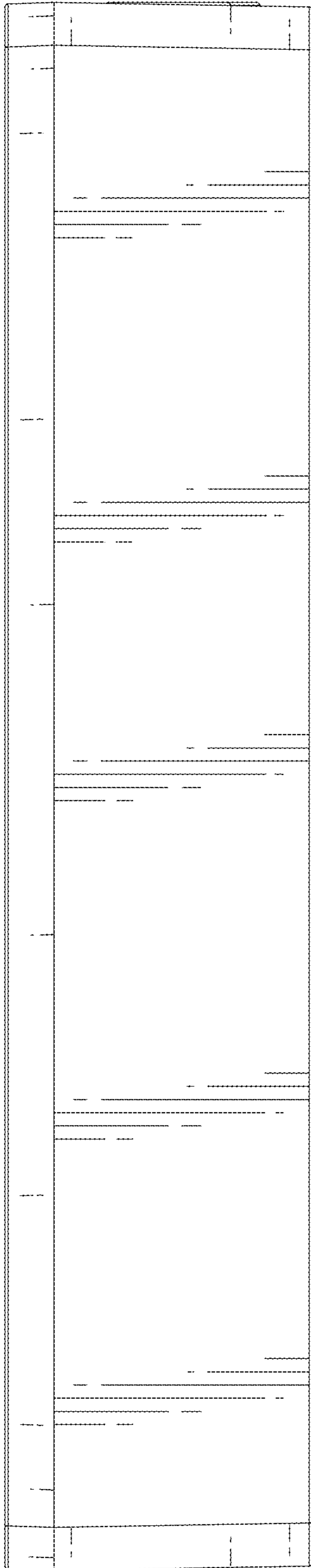


FIG.3

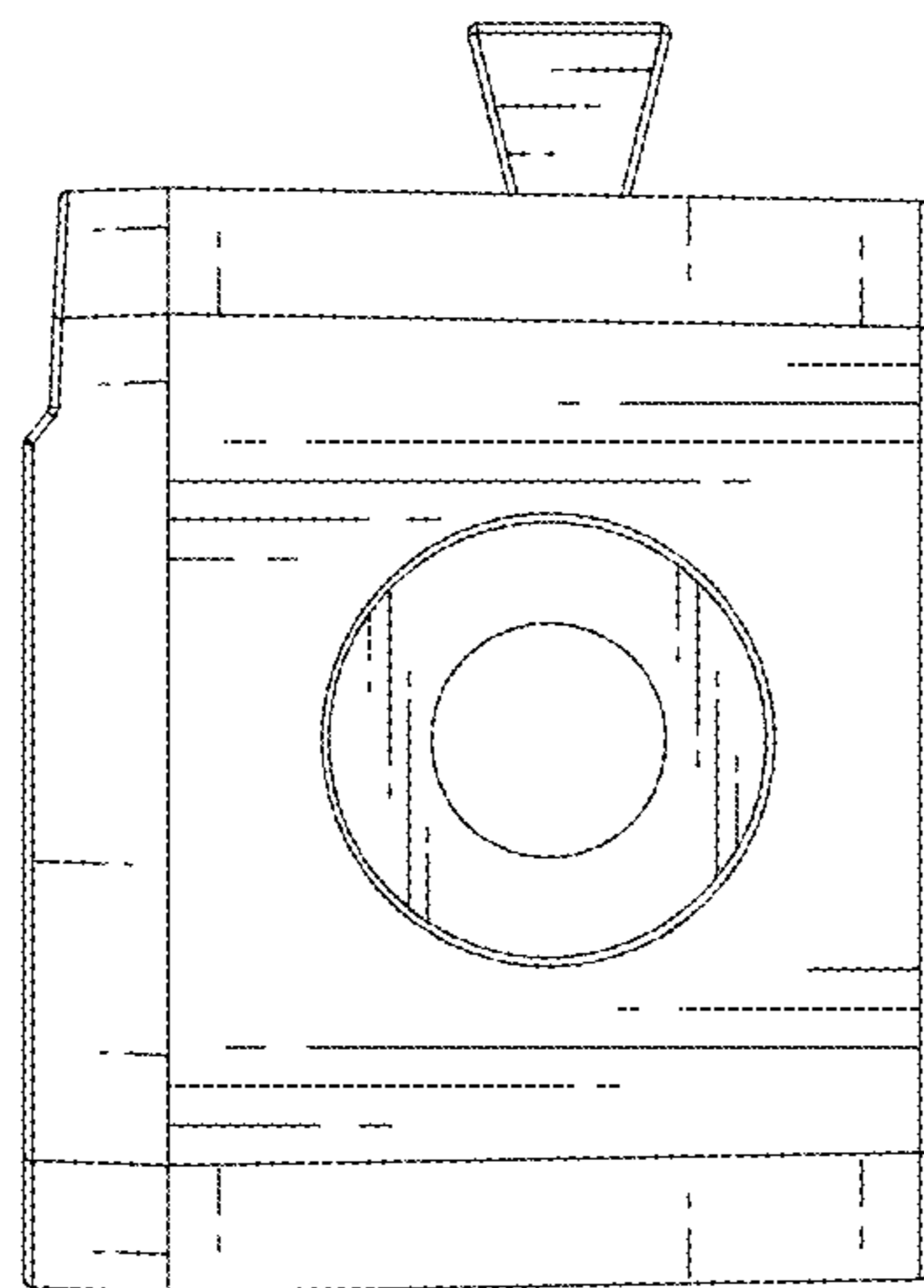


FIG.4

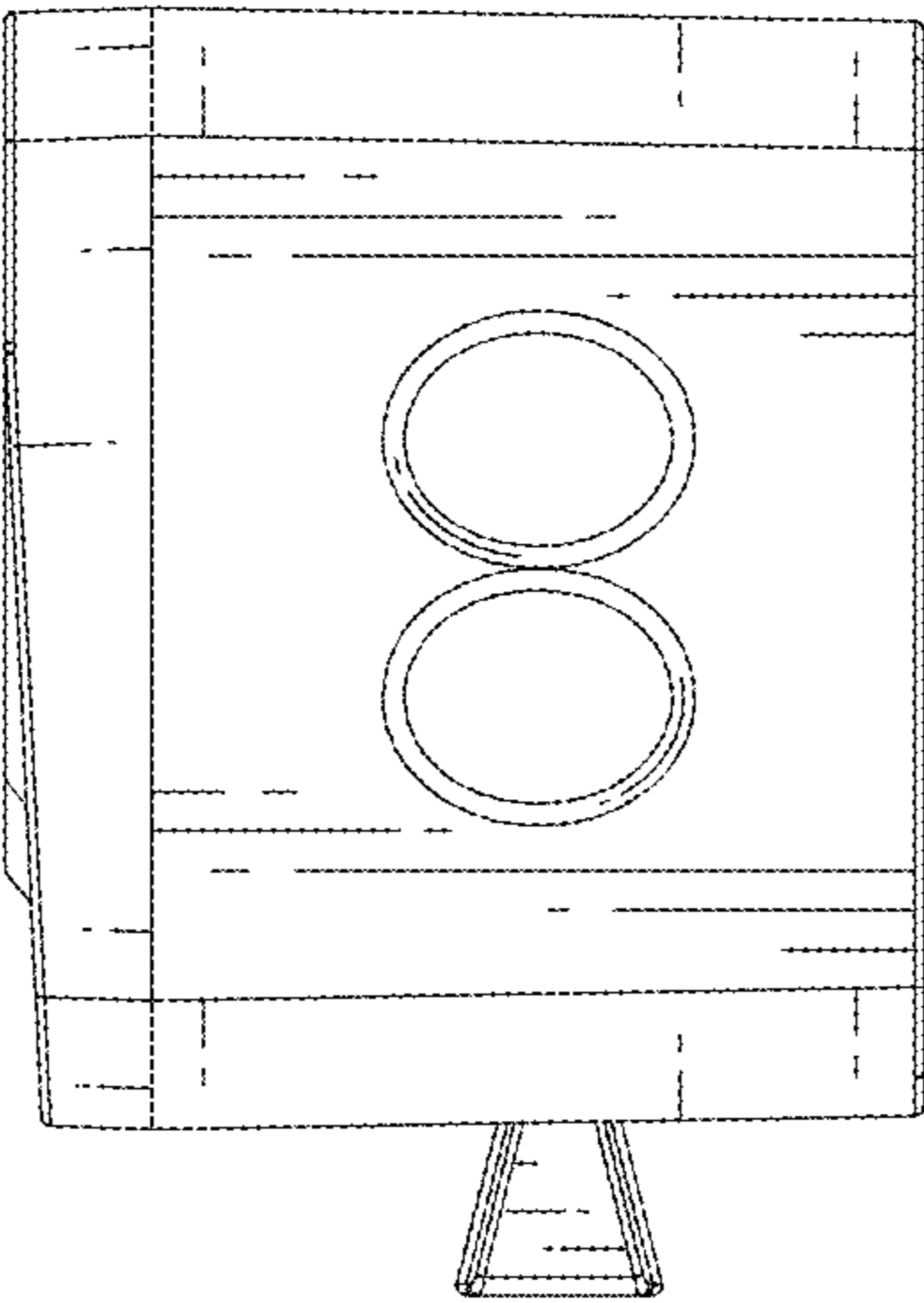


FIG.5

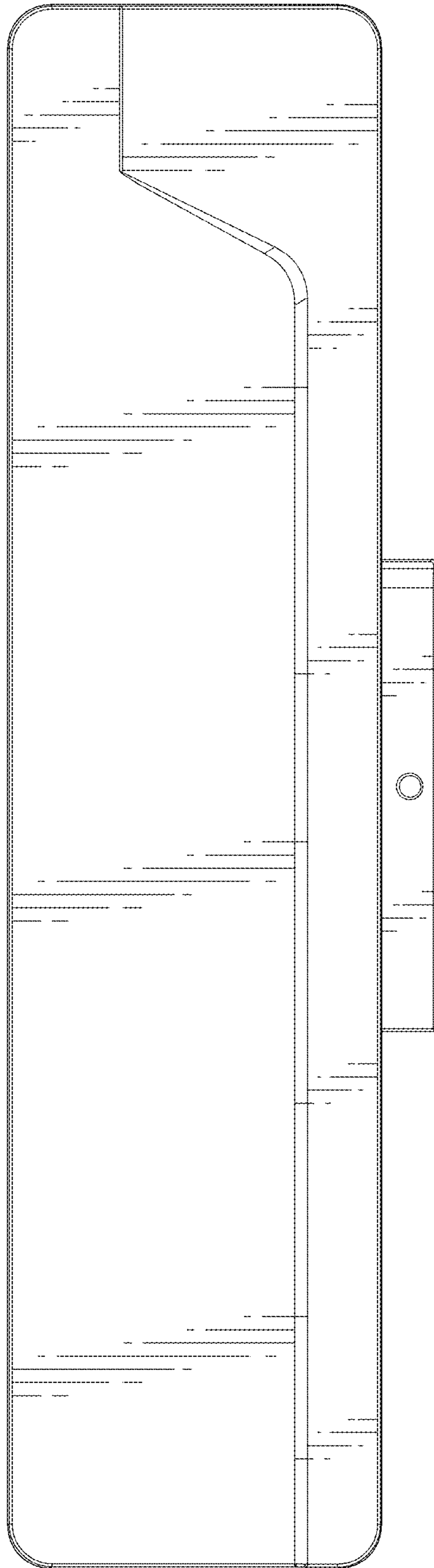


FIG.6

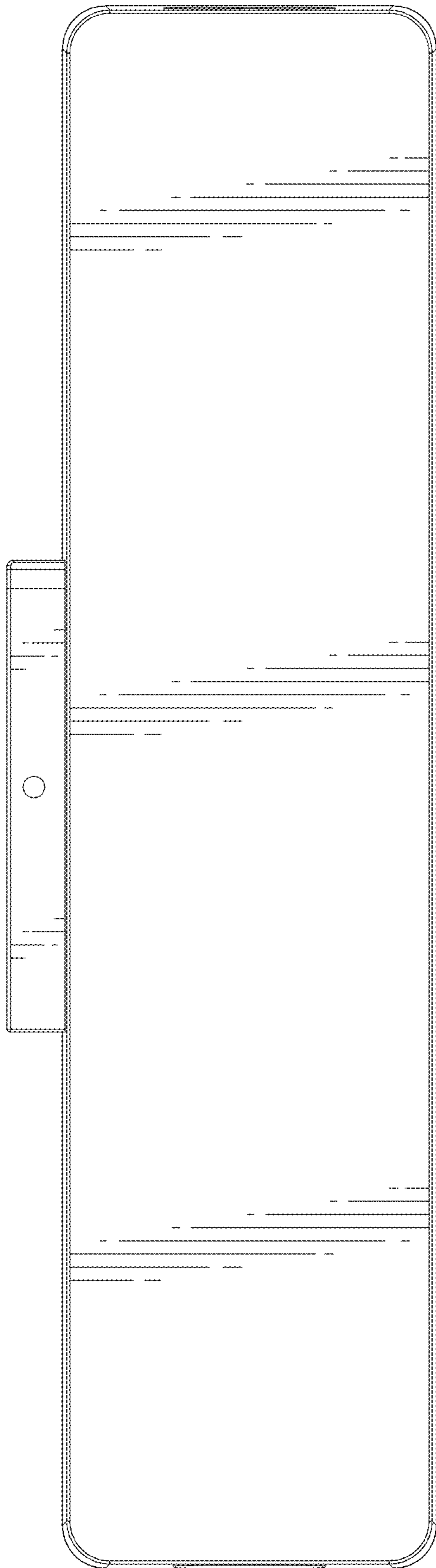


FIG.7

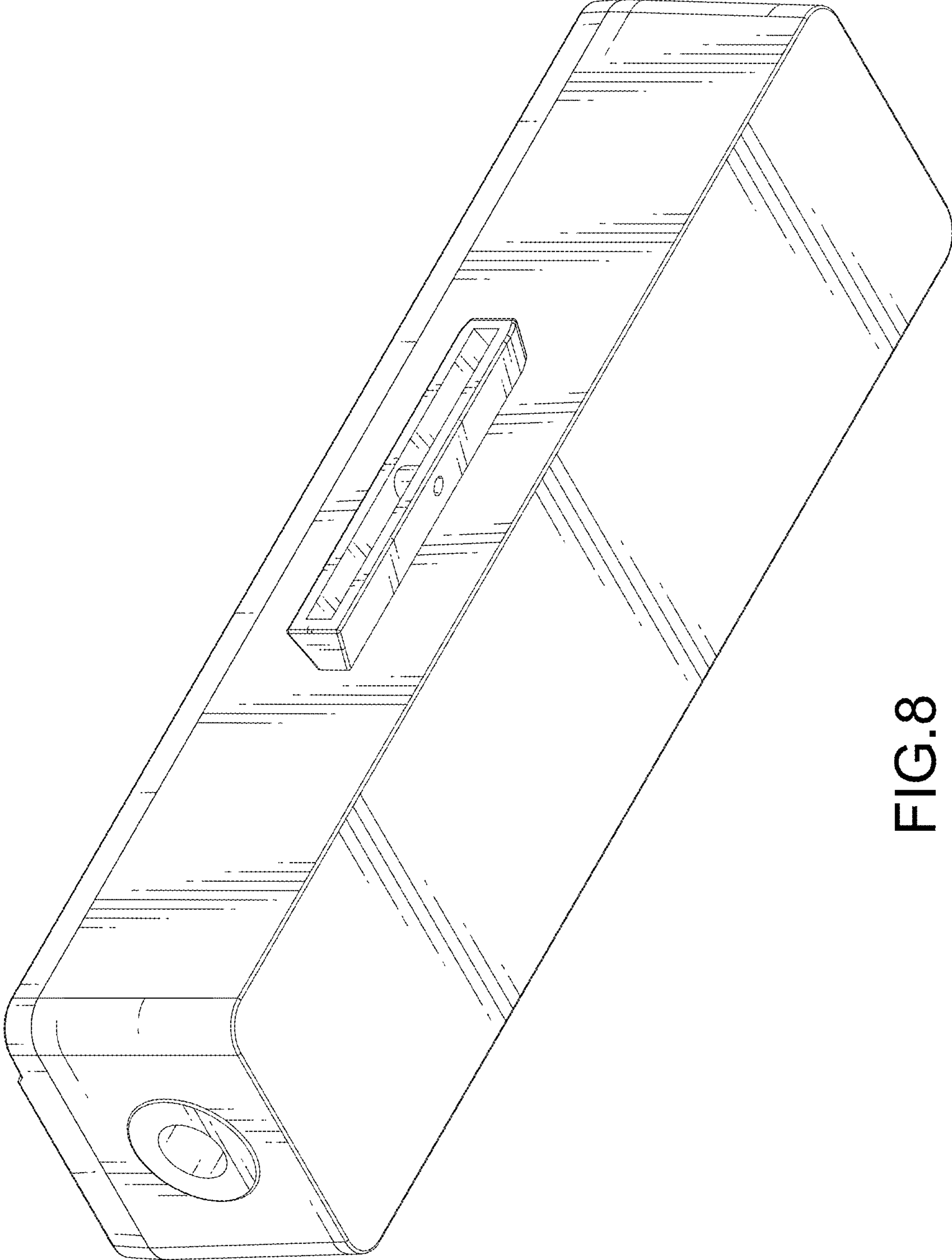


FIG.8