



US00D975026S

(12) **United States Design Patent**
Hung

(10) **Patent No.:** **US D975,026 S**
(45) **Date of Patent:** **** Jan. 10, 2023**

(54) **CONNECTOR OF FAN**

(56) **References Cited**

(71) Applicant: **DONGGUAN LUXSHARE TECHNOLOGIES CO., LTD,**
Dongguan (CN)

(72) Inventor: **Yung-Chih Hung,** Taipei (TW)

(73) Assignee: **DONGGUAN LUXSHARE TECHNOLOGIES CO., LTD,**
Dongguan (CN)

(**) Term: **15 Years**

(21) Appl. No.: **29/840,041**

(22) Filed: **May 25, 2022**

Related U.S. Application Data

(62) Division of application No. 29/739,493, filed on Jun. 25, 2020.

(30) **Foreign Application Priority Data**

May 11, 2020 (TW) 109302489
May 11, 2020 (TW) 109302490

(51) **LOC (14) Cl.** **13-03**

(52) **U.S. Cl.**
USPC **D13/147; D13/133**

(58) **Field of Classification Search**
USPC D13/119–120, 133–134, 146–147, 154,
D13/182, 199; D14/433
CPC H01R 31/02; H01R 24/62; H01R 13/64;
H01R 13/405; H01R 13/502; H01R
13/521; H01R 13/4538; H01R 13/6272;
H01R 13/6315; H01R 13/6474; H01R
27/02; H01R 12/721; H01R 12/725

See application file for complete search history.

U.S. PATENT DOCUMENTS

4,832,625 A	5/1989	Puerner	
D316,846 S	5/1991	Moriai et al.	
D324,031 S *	2/1992	Lambert, II	D13/147
D326,256 S	5/1992	Lambert, II et al.	
D327,469 S	6/1992	Moriai et al.	
D335,649 S *	5/1993	Ogawa	D13/147
D407,690 S	4/1999	Lai et al.	
D476,956 S	7/2003	Sukegawa et al.	
7,011,541 B2	3/2006	Matsunaga et al.	
D577,680 S *	9/2008	Shen	D13/147
D578,480 S *	10/2008	Zhu	D13/147
D578,964 S *	10/2008	Luo	D13/147

(Continued)

OTHER PUBLICATIONS

Luxsharetech, Date: Not Available, [online], [site visited Apr. 23, 2022]. Available from internet, URL: http://www.luxshare-tech.com/2121_FanModule_en.aspx (Year: 2022).

Primary Examiner — Shawn T Gingrich

Assistant Examiner — Bryan N. Melvin

(74) *Attorney, Agent, or Firm* — Birch, Stewart, Kolasch & Birch, LLP

(57) **CLAIM**

The ornamental design for a connector of fan, as shown and described.

DESCRIPTION

FIG. 1 is a perspective view of a connector of fan showing my new design;

FIG. 2 is a front view thereof;

FIG. 3 is a rear view thereof;

FIG. 4 is a left side view thereof;

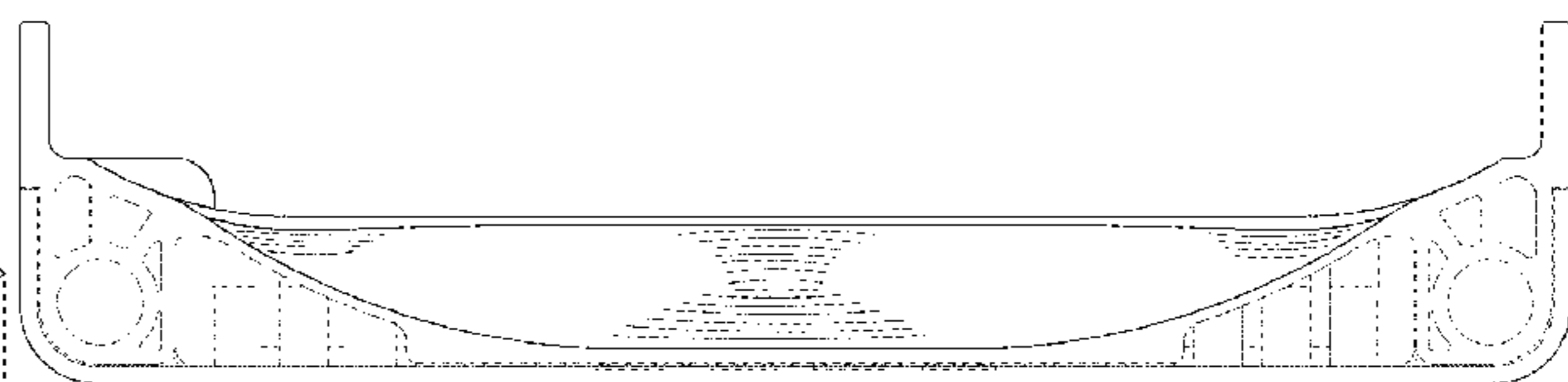
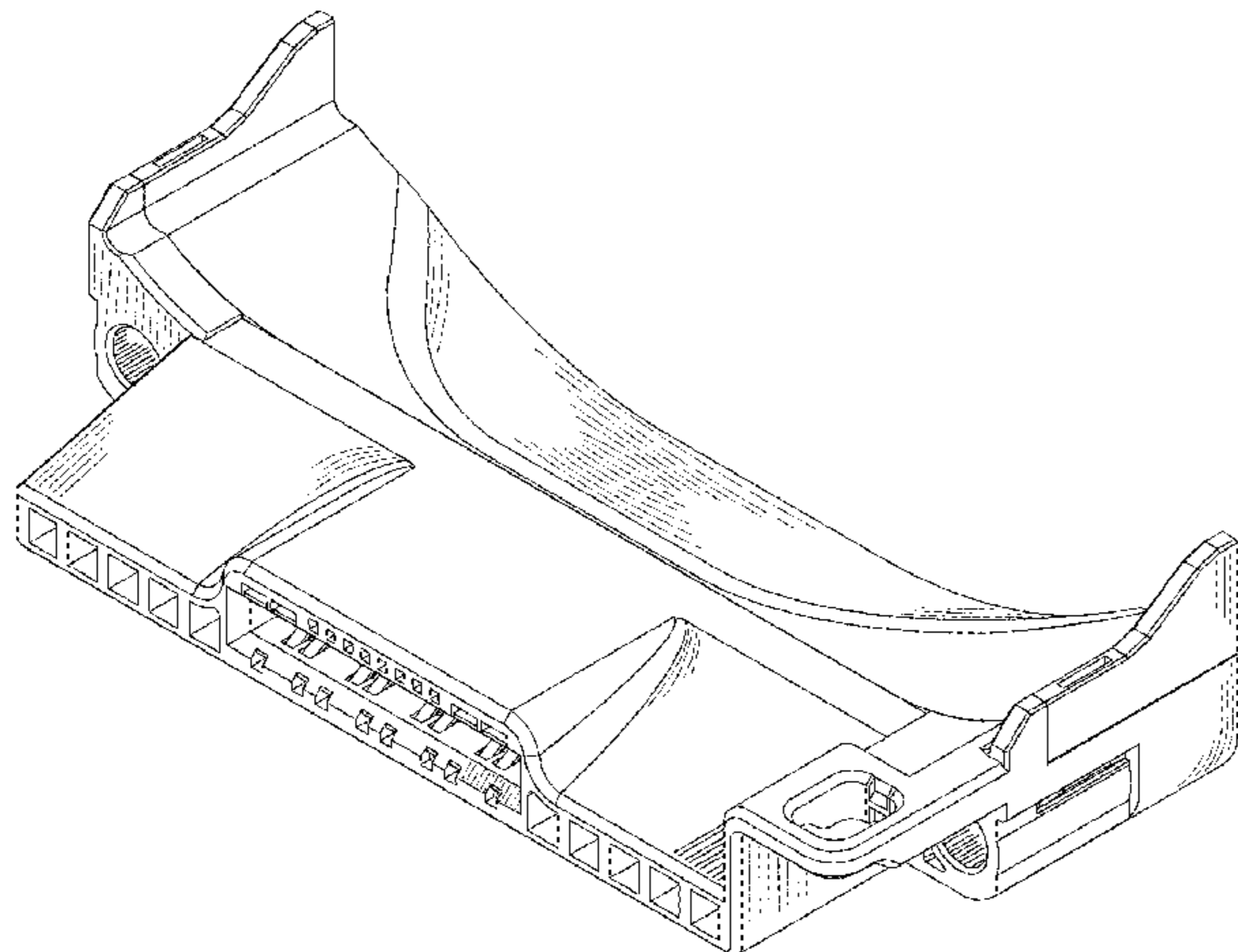
FIG. 5 is a right side view thereof;

FIG. 6 is a top view thereof; and,

FIG. 7 is a bottom view thereof.

The broken lines in the drawings illustrate portions of a connector of fan that form no part of the claimed design.

1 Claim, 7 Drawing Sheets



(56)

References Cited

U.S. PATENT DOCUMENTS

D604,700	S	11/2009	Asano	
D684,933	S	6/2013	Xie et al.	
D706,723	S	6/2014	Yokoyama	
D719,098	S *	12/2014	Endo	D13/147
D742,323	S *	11/2015	Endo	D13/147
D764,415	S *	8/2016	Qian	D13/147
D764,416	S *	8/2016	Zhong	D13/147
D767,494	S *	9/2016	Tada	D13/147
D858,454	S	9/2019	Huang et al.	
10,644,449	B2 *	5/2020	Iida	H01R 13/6272
2009/0209132	A1 *	8/2009	Sato	H01R 12/725 439/607.41
2012/0052696	A1 *	3/2012	Tay	H01R 13/521 439/55
2015/0244101	A1	8/2015	Chien et al.	
2021/0226367	A1	7/2021	Hung	

* cited by examiner

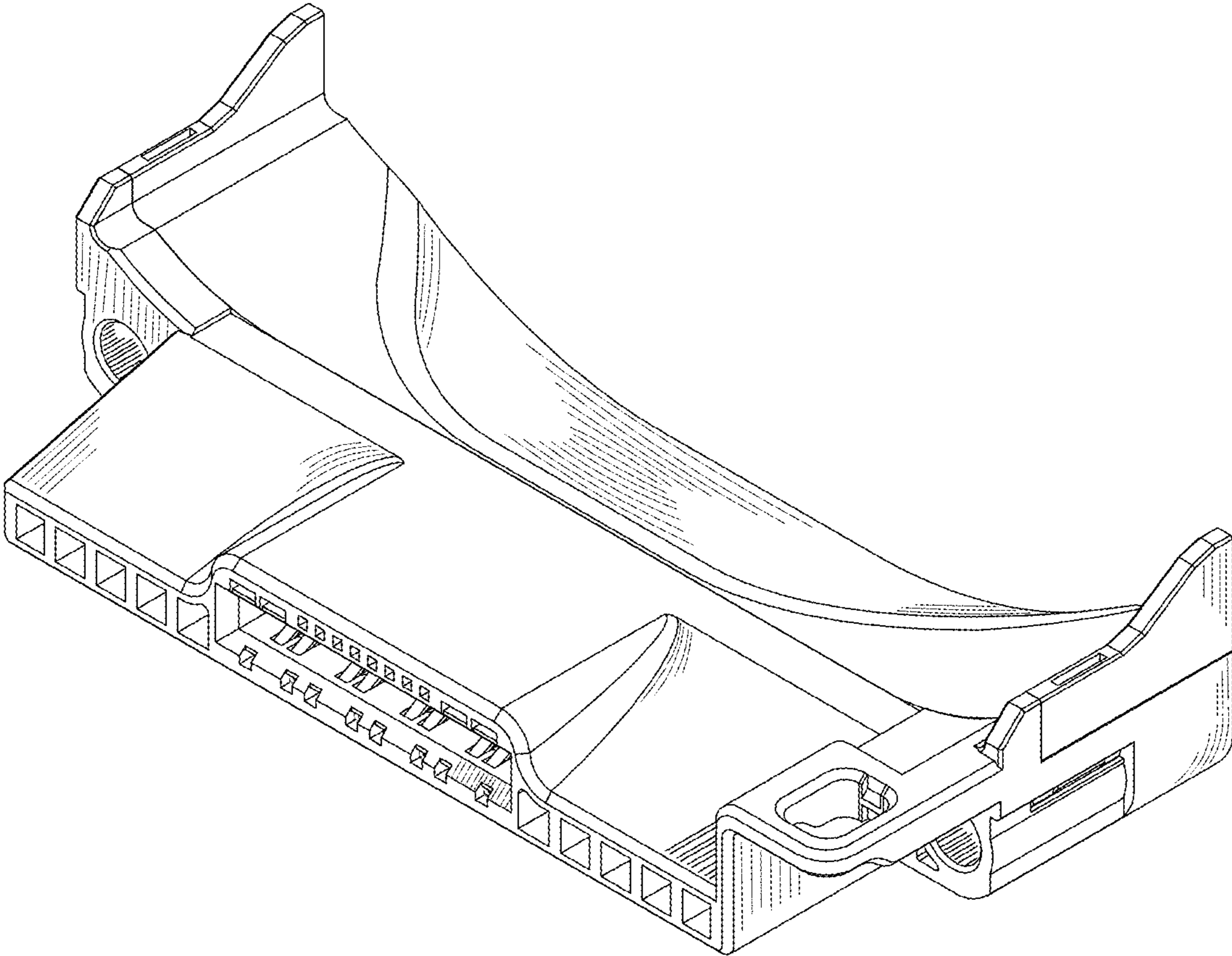


FIG. 1

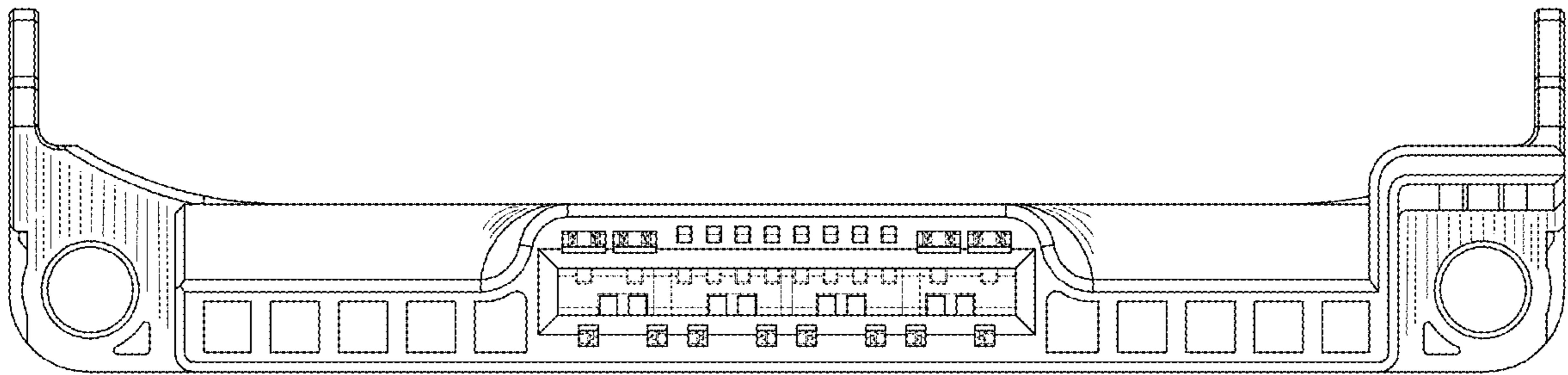


FIG. 2

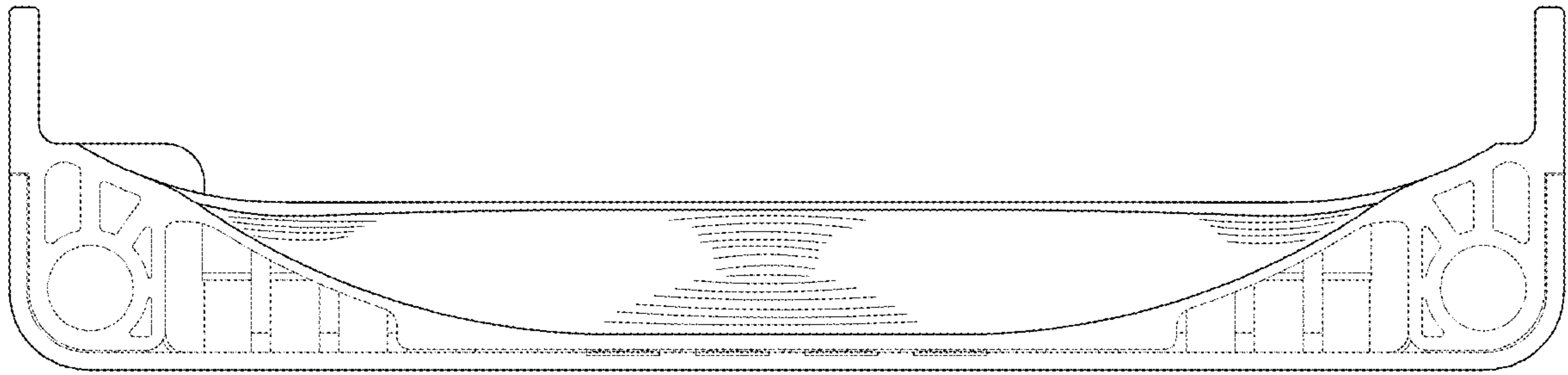


FIG. 3

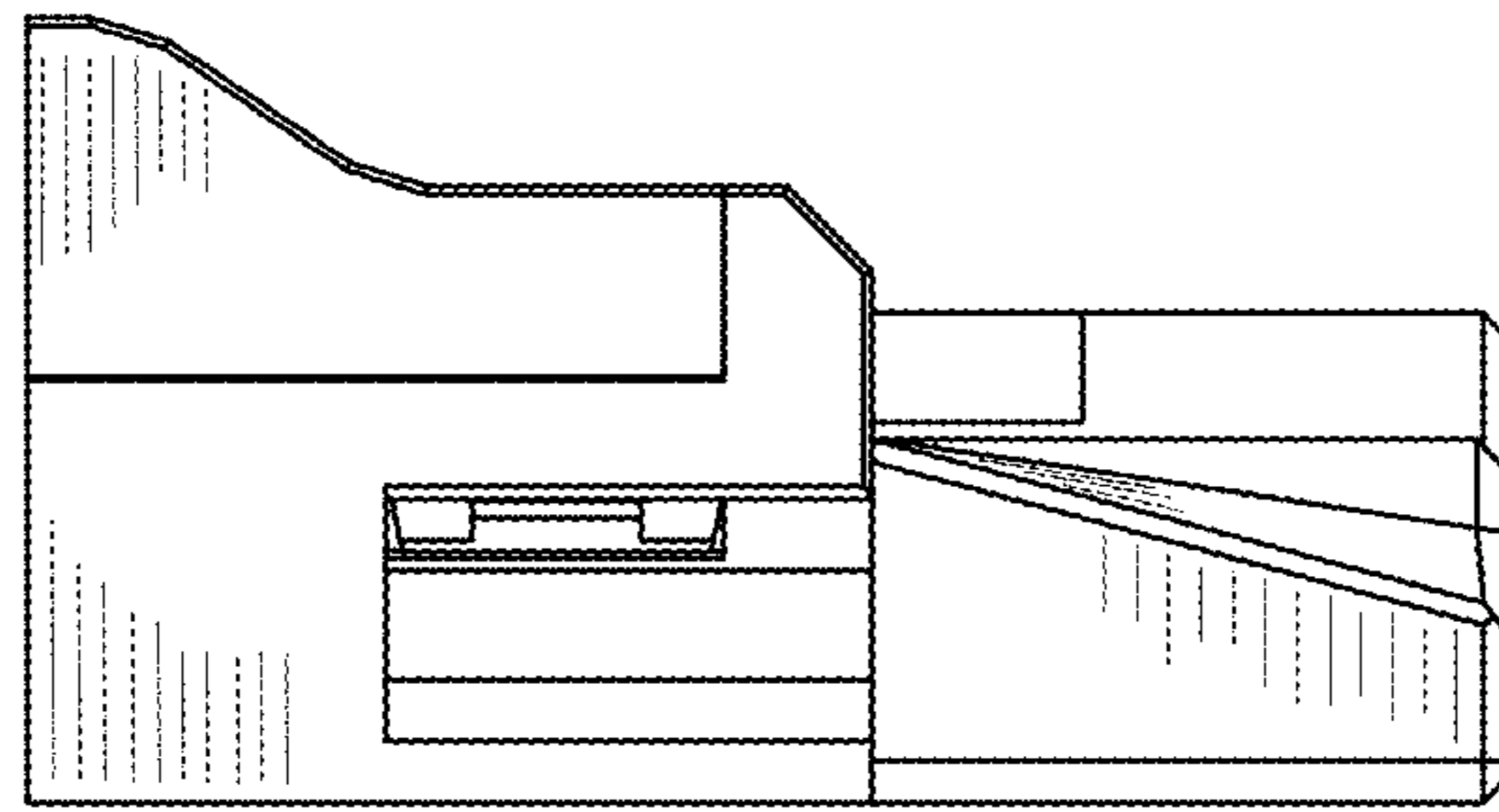


FIG. 4

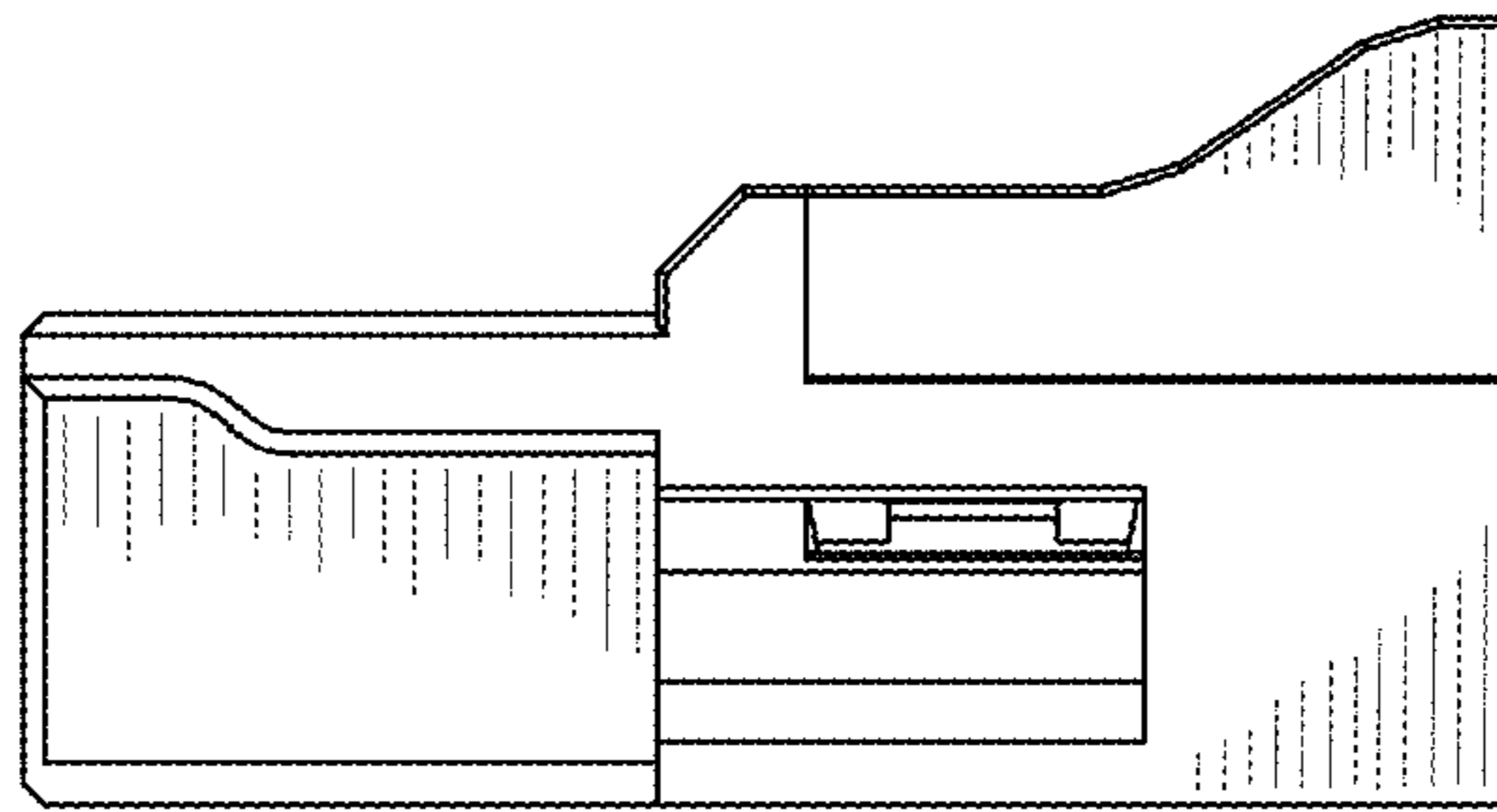


FIG. 5

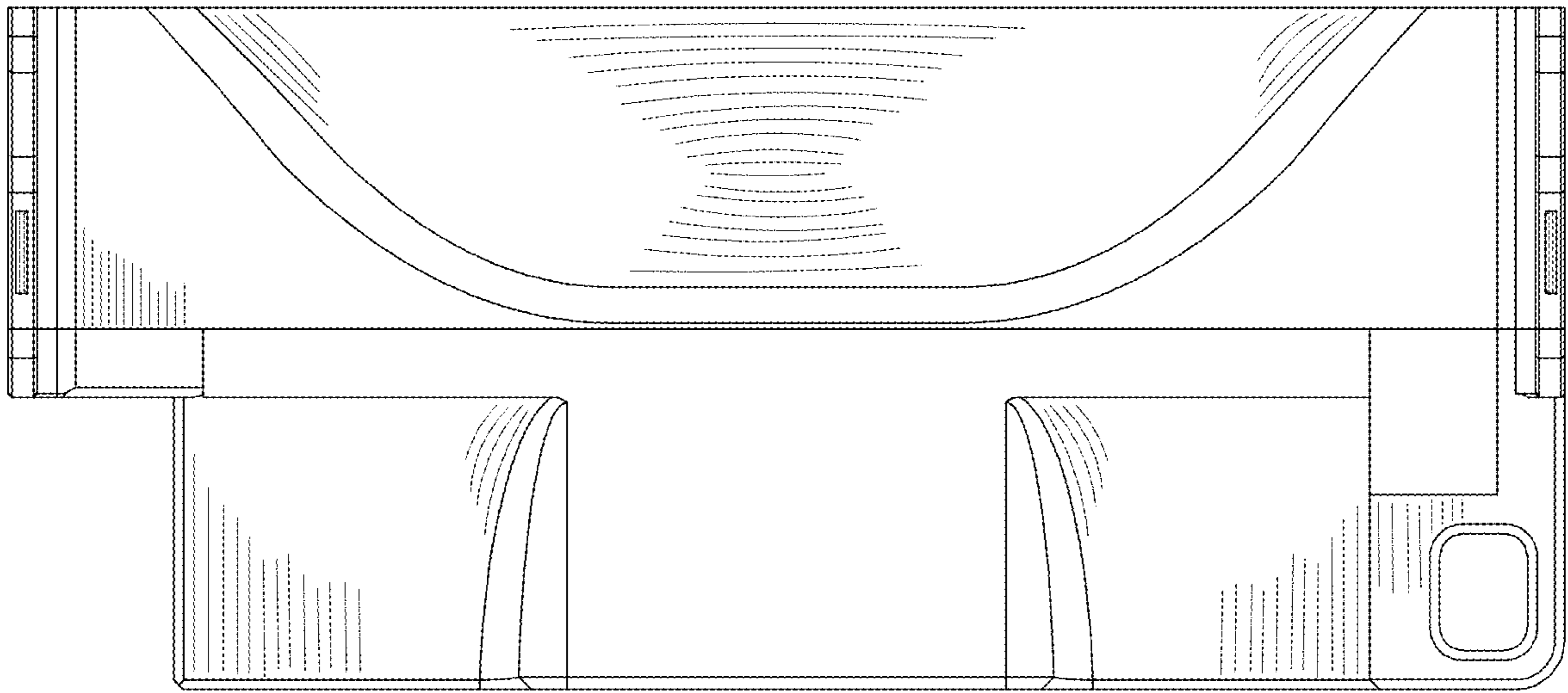


FIG. 6

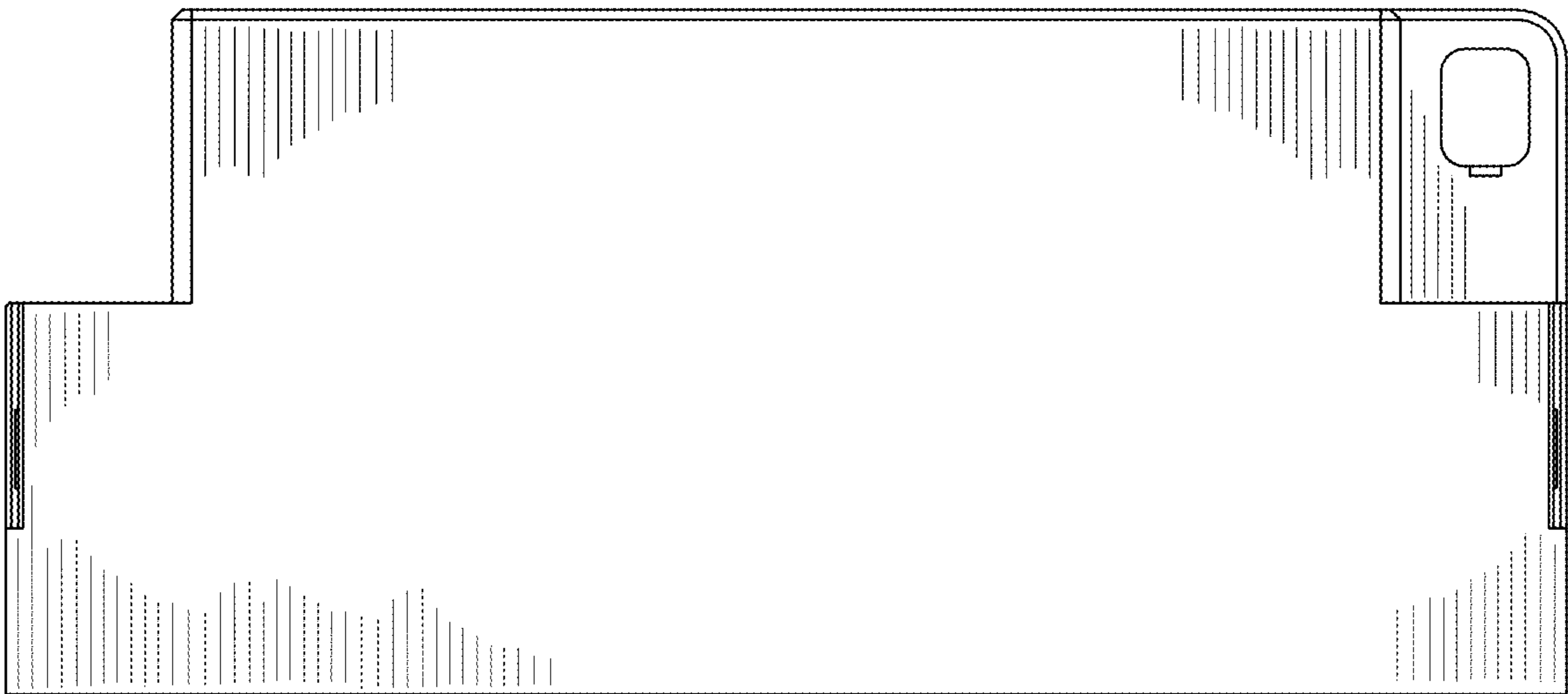


FIG. 7