



US00D975024S

(12) **United States Design Patent**
Wei et al.

(10) **Patent No.:** **US D975,024 S**
(45) **Date of Patent:** **** Jan. 10, 2023**

(54) **ELECTRICAL CONNECTOR**
(71) Applicant: **FCI CONNECTORS DONGGUAN LTD., Dongguan (CN)**
(72) Inventors: **Hua-Kun Wei, Dongguan (CN); Yi-Lin Liu, Dongguan (CN)**
(73) Assignee: **FCI CONNECTORS DONGGUAN LTD., Dongguan (CN)**

6,890,221 B2 5/2005 Wagner
D585,024 S * 1/2009 Kudo D13/133
D597,956 S * 8/2009 Sakamoto D13/147
7,727,001 B2 6/2010 Percherke et al.
7,762,857 B2 7/2010 Ngo et al.
D639,746 S * 6/2011 Lee D13/147

(Continued)

FOREIGN PATENT DOCUMENTS

DE 91 07 627 U1 8/1991
TW D188004 S 1/2018

(Continued)

(**) Term: **15 Years**

(21) Appl. No.: **29/687,528**

(22) Filed: **Apr. 12, 2019**

(51) **LOC (14) Cl.** **13-03**

(52) **U.S. Cl.**
USPC **D13/147; D13/154**
CPC **H01R 13/73 (2013.01)**

(58) **Field of Classification Search**
USPC D13/103, 110, 118–120, 123, 133, 146,
D13/147, 154, 173, 174, 178, 184, 199
CPC .. H01R 13/73; H01R 13/631; H01R 12/7047;
H01R 12/737; H01R 12/724; H01R
12/585; H01R 13/645
See application file for complete search history.

(56) **References Cited**

U.S. PATENT DOCUMENTS

4,533,203 A 8/1985 Feldman et al.
4,693,529 A 9/1987 Stillie
4,693,530 A 9/1987 Stillie et al.
4,761,144 A * 8/1988 Hunt, III H01R 13/74
29/825
5,122,064 A 6/1992 Zarreii
5,184,964 A * 2/1993 Douty H01R 13/748
439/247
5,197,896 A * 3/1993 Landis H01R 13/6315
439/247
5,535,100 A 7/1996 Lubahn et al.
6,319,075 B1 11/2001 Clark et al.
6,848,950 B2 2/2005 Allison et al.

OTHER PUBLICATIONS

Extended European Search Report for European Application No. 14775056.6 dated Jan. 18, 2017.

(Continued)

Primary Examiner — Richard E Chilcot
(74) *Attorney, Agent, or Firm* — Wolf, Greenfield & Sacks, P.C.

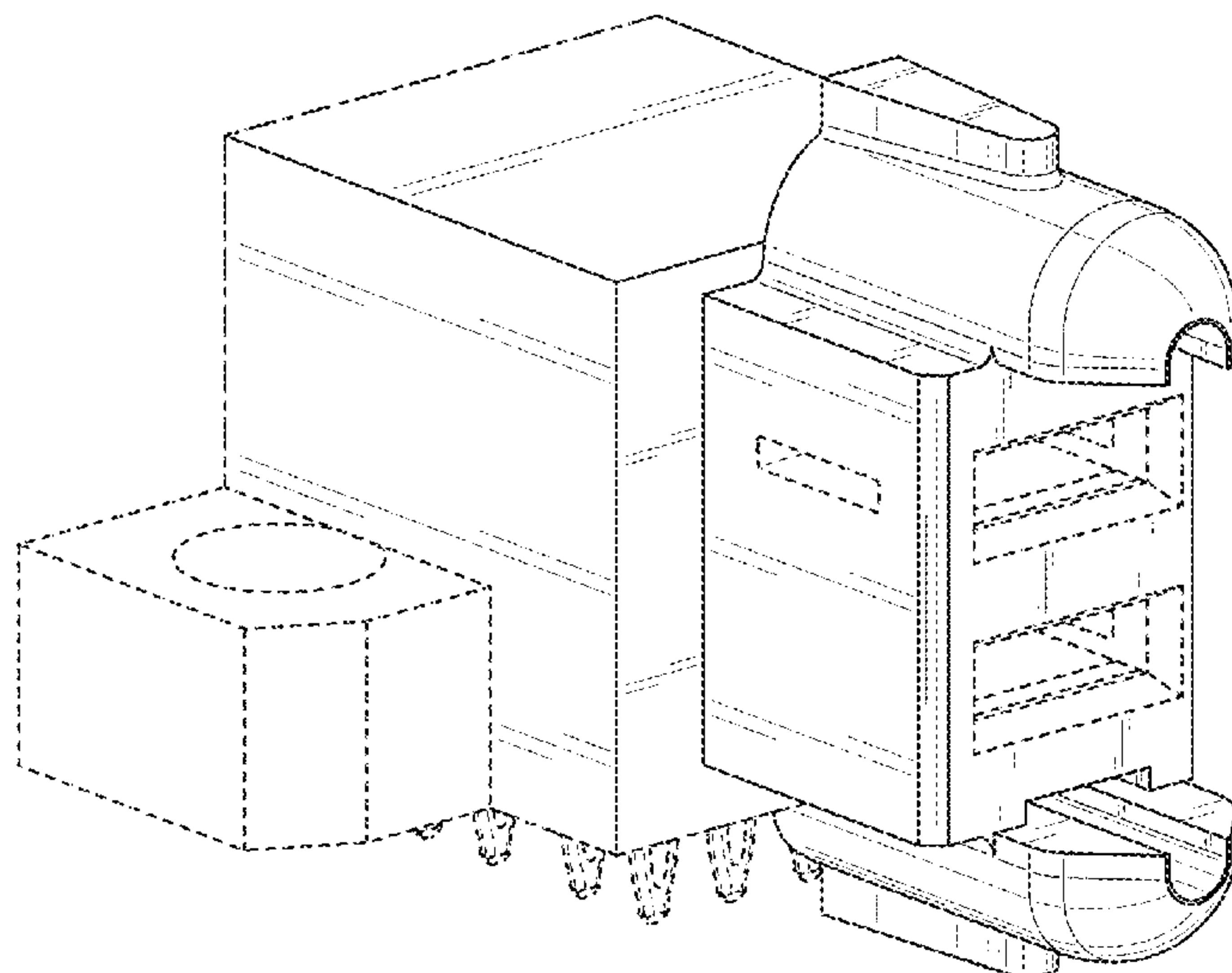
(57) **CLAIM**

The ornamental design for an electrical connector, as shown and described.

DESCRIPTION

FIG. 1 is a top, front, left side perspective view of an electrical connector according to our new design; FIG. 2 is a front elevation view thereof; FIG. 3 is a rear elevation view thereof; FIG. 4 is a left side elevation view thereof; FIG. 5 is a right side elevation view thereof; FIG. 6 is a top plan view thereof; and, FIG. 7 is a bottom plan view thereof. The dot-dash broken lines represent boundaries of the claimed design and form no part of the claimed design. All other broken lines represent portions of the electrical connector that form no part of the claimed design.

1 Claim, 7 Drawing Sheets



(56)

References Cited

U.S. PATENT DOCUMENTS

D640,634 S * 6/2011 Lee D13/147
 8,057,266 B1 11/2011 Roitberg
 8,388,389 B2 3/2013 Costello et al.
 8,641,432 B2 2/2014 Northey
 9,153,887 B2 10/2015 Chen
 D745,461 S * 12/2015 Cho D13/146
 9,419,356 B2 8/2016 Copper et al.
 9,627,790 B2 4/2017 Anderson et al.
 9,680,236 B2 6/2017 Ngo
 D791,082 S * 7/2017 Li D13/147
 D791,705 S * 7/2017 Li D13/147
 D792,849 S * 7/2017 Mugan D13/147
 D801,278 S * 10/2017 Li D13/147
 9,780,517 B2 10/2017 Zerebilov
 D803,161 S * 11/2017 Li D13/147
 D803,162 S * 11/2017 Li D13/147
 9,825,384 B2 11/2017 Kurkowski et al.
 10,050,395 B2 8/2018 Ngo et al.
 D835,044 S * 12/2018 Ramanna D13/146
 D837,737 S * 1/2019 Li D13/146
 10,256,581 B2 4/2019 Shinmi
 10,276,967 B2 * 4/2019 Ngo H01R 27/02
 10,389,060 B2 8/2019 Diessel et al.
 10,424,887 B2 9/2019 Hirschman et al.
 10,454,204 B2 * 10/2019 Hara H01R 13/5227
 10,741,967 B2 * 8/2020 Zheng H01R 13/6272
 10,777,934 B2 * 9/2020 Yi H01R 13/5219
 10,879,647 B2 12/2020 Brungard
 D906,978 S * 1/2021 Ganamukhi D13/133
 D911,964 S * 3/2021 Ganamukhi D13/133
 D924,141 S * 7/2021 Thyagaraj D13/133
 D924,165 S * 7/2021 Zabjanovski D13/147
 D924,166 S * 7/2021 Zabjanovski D13/154
 D924,167 S * 7/2021 Zabjanovski D13/154
 D926,700 S * 8/2021 Terajima D13/147
 D930,593 S * 9/2021 Zabjanovski D13/147
 11,121,509 B2 * 9/2021 Wei H01R 12/7047
 11,189,946 B2 * 11/2021 Rubens H01R 13/514
 D938,362 S * 12/2021 Ito D13/146
 D938,919 S * 12/2021 Ito D13/147
 D942,399 S * 2/2022 Belle D13/146
 D942,400 S * 2/2022 Belle D13/146
 D942,952 S * 2/2022 Belle D13/146
 D942,953 S * 2/2022 Belle D13/146

D951,876 S * 5/2022 Zabjanovski D13/154
 2002/0086575 A1 * 7/2002 Marpoe, Jr. H01R 13/64
 439/352
 2006/0281354 A1 * 12/2006 Ngo H01R 12/7088
 439/290
 2008/0299838 A1 12/2008 Kopp
 2009/0047814 A1 2/2009 Daamen
 2009/0142953 A1 6/2009 Patel et al.
 2011/0187348 A1 8/2011 Soneda et al.
 2015/0009607 A1 1/2015 Daamen et al.
 2015/0364878 A1 12/2015 Orris
 2016/0036156 A1 * 2/2016 Iihoshi H01R 13/5202
 439/587
 2016/0079704 A1 * 3/2016 Chen H01R 13/631
 439/374
 2017/0036563 A1 2/2017 Degner et al.
 2017/0149157 A1 5/2017 Anderson et al.
 2017/0214165 A1 7/2017 Brungard et al.
 2018/0006414 A1 1/2018 Ooishi et al.
 2018/0145463 A1 5/2018 Kiyuna et al.
 2018/0309227 A1 10/2018 Diessel et al.
 2018/0351281 A1 * 12/2018 Takamura H01R 13/113
 2018/0351309 A1 12/2018 Shinmi
 2019/0036422 A1 1/2019 Shirai et al.
 2019/0123334 A1 4/2019 Kataoka et al.
 2019/0140389 A1 * 5/2019 Yi H01R 13/4368
 2019/0157797 A1 * 5/2019 McDowell H01R 13/4367
 2019/0239379 A1 8/2019 Smith et al.
 2019/0288450 A1 9/2019 Brungard
 2019/0288461 A1 9/2019 Kiyuna et al.
 2020/0251846 A1 * 8/2020 Tian H01R 13/4226
 2020/0328565 A1 * 10/2020 Wei H01R 13/73

FOREIGN PATENT DOCUMENTS

TW D192415 S 8/2018
 WO WO 93/15532 A1 8/1993

OTHER PUBLICATIONS

Partial Supplementary European Search Report for European Application No. 14775056.6 dated Sep. 26, 2016.
 Notice of Allowance and Search Report for Taiwanese Application No. 108306346 dated Jul. 1, 2019.

* cited by examiner

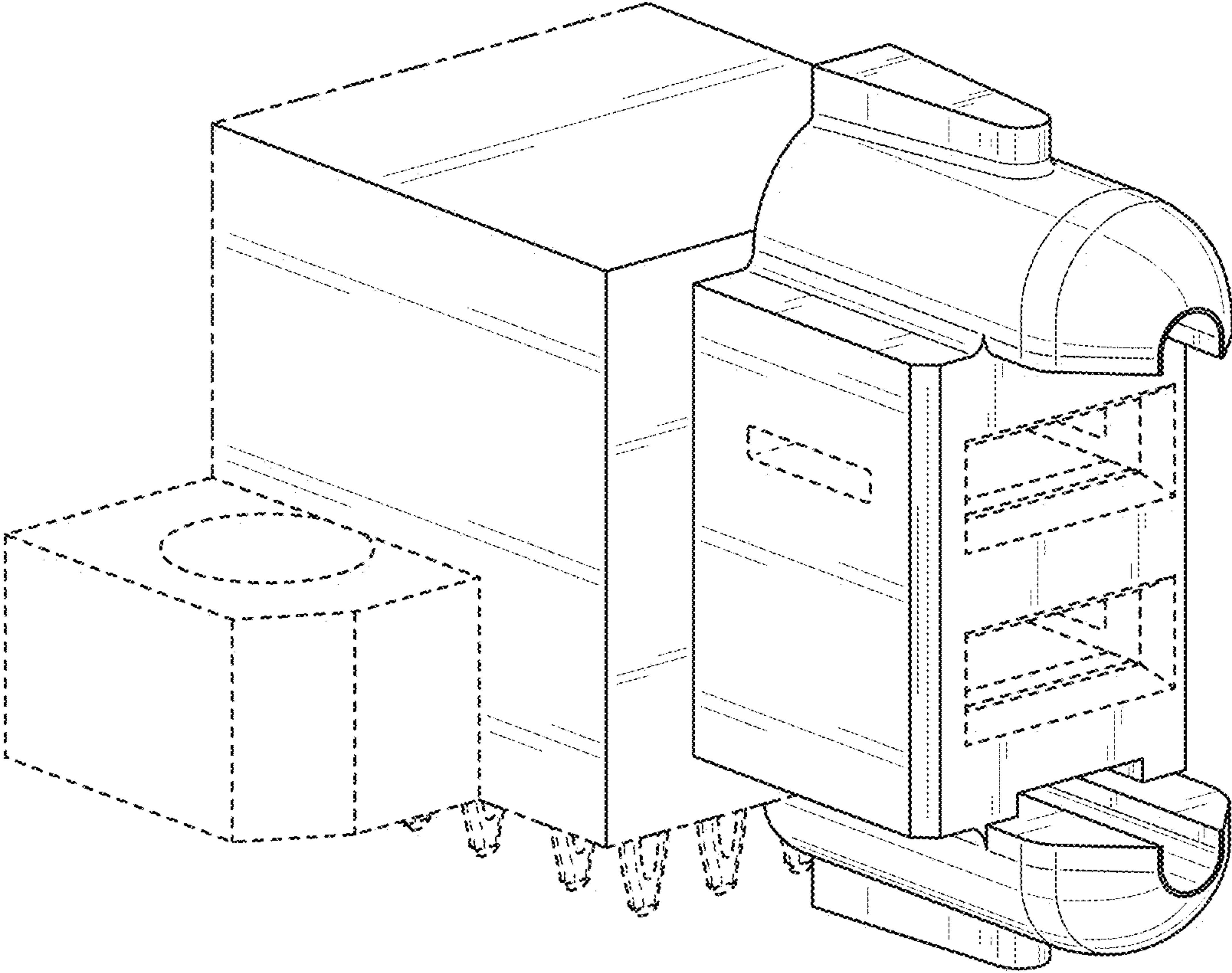


FIG. 1

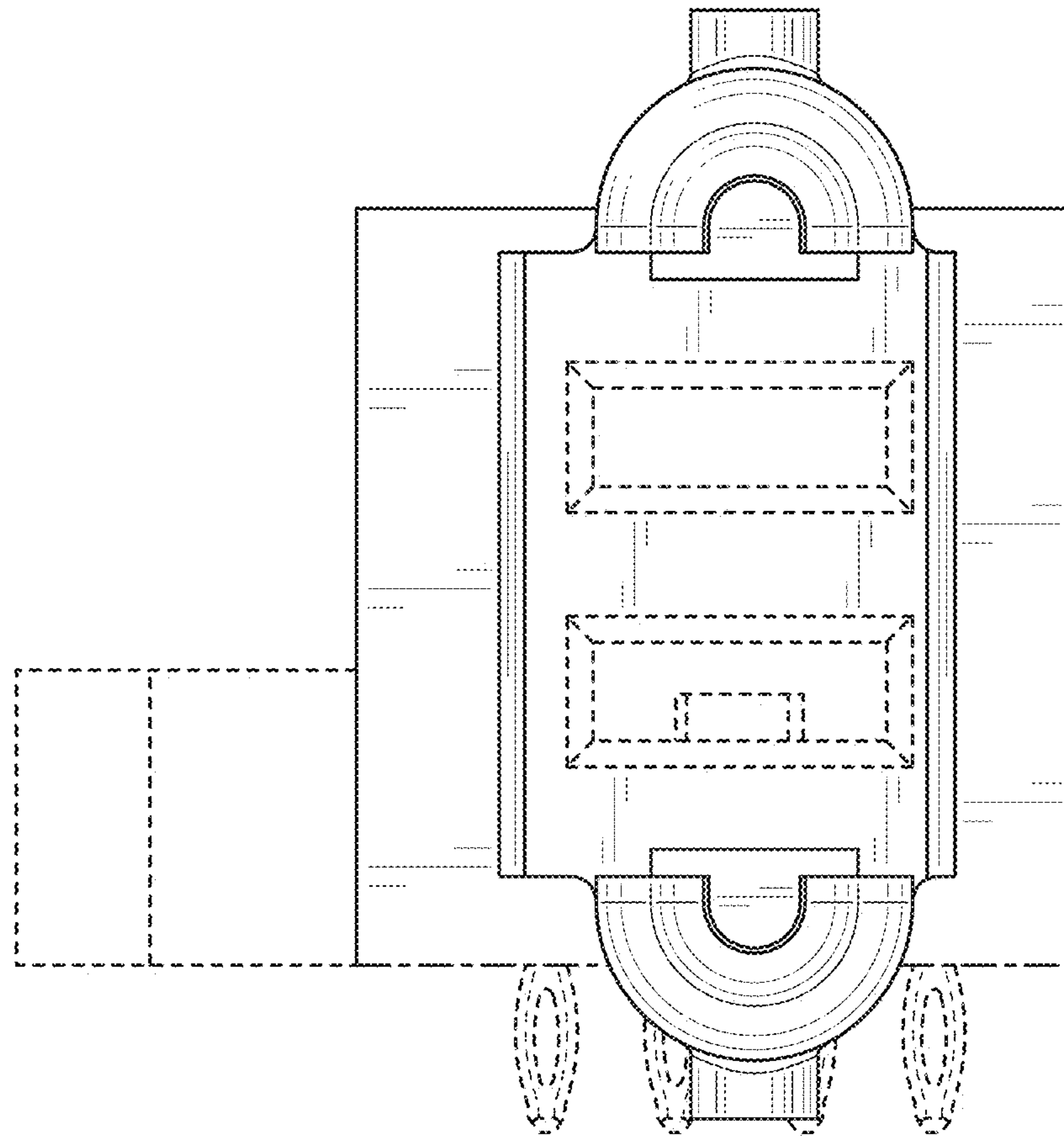


FIG. 2

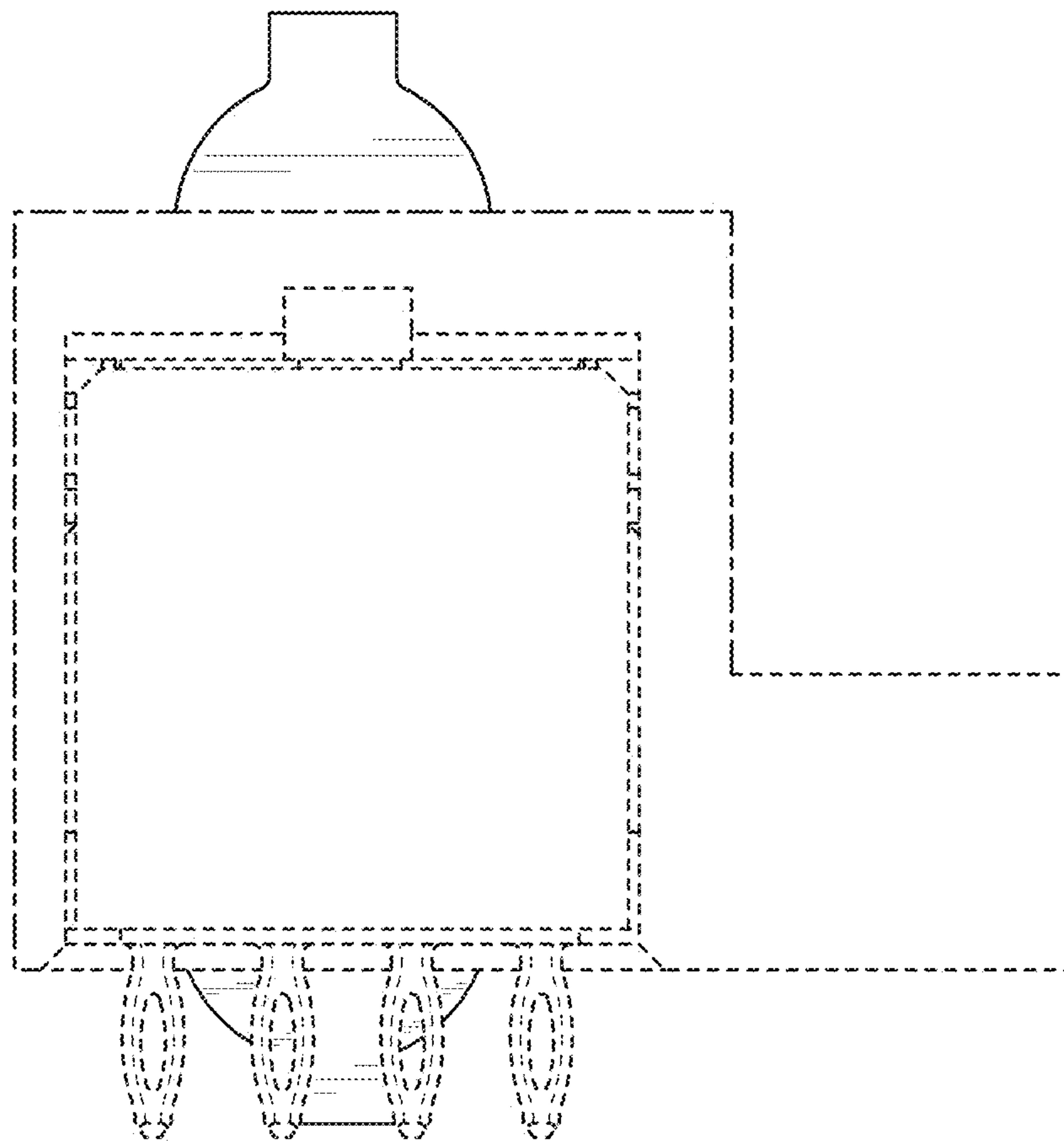


FIG. 3

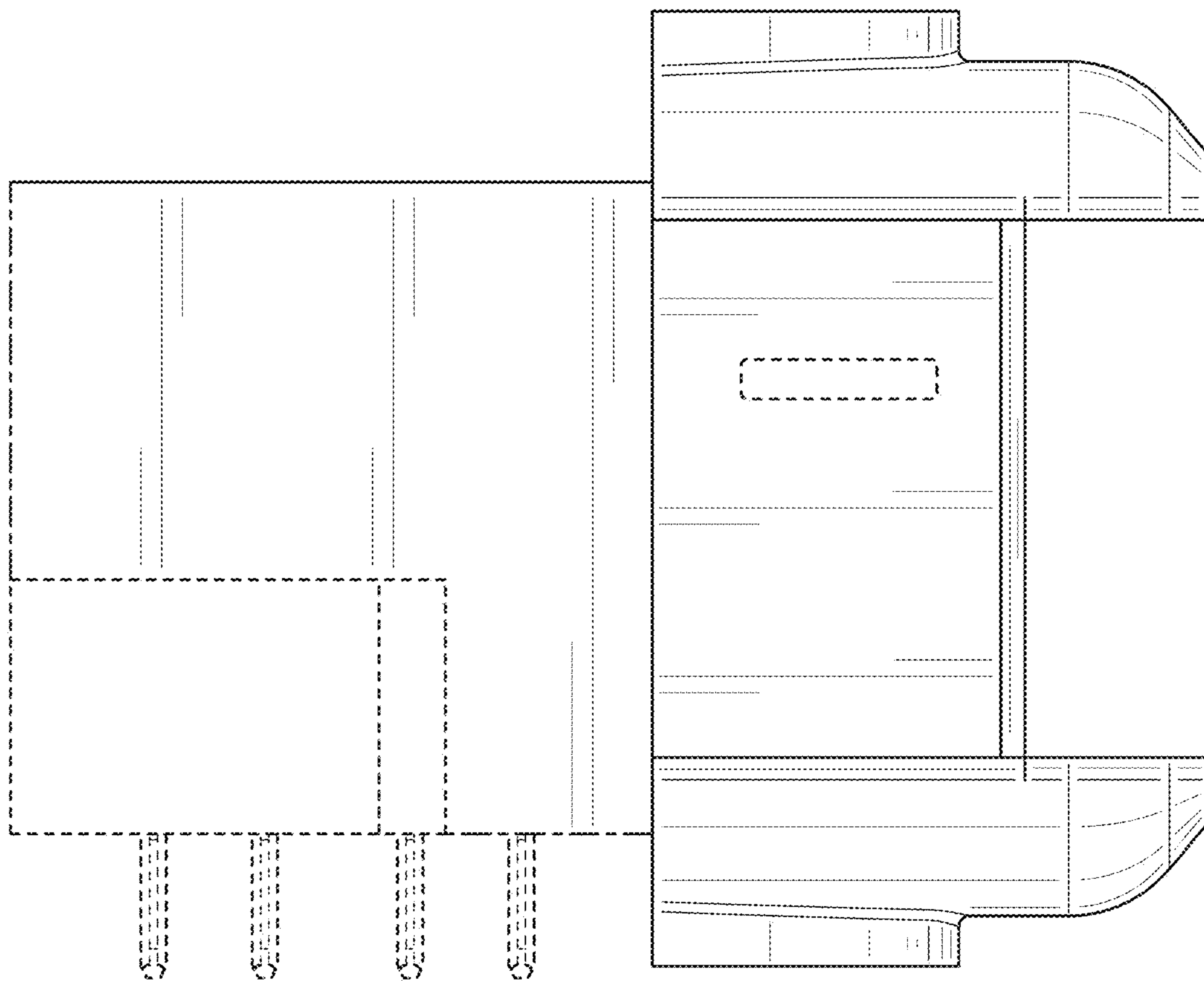


FIG. 4

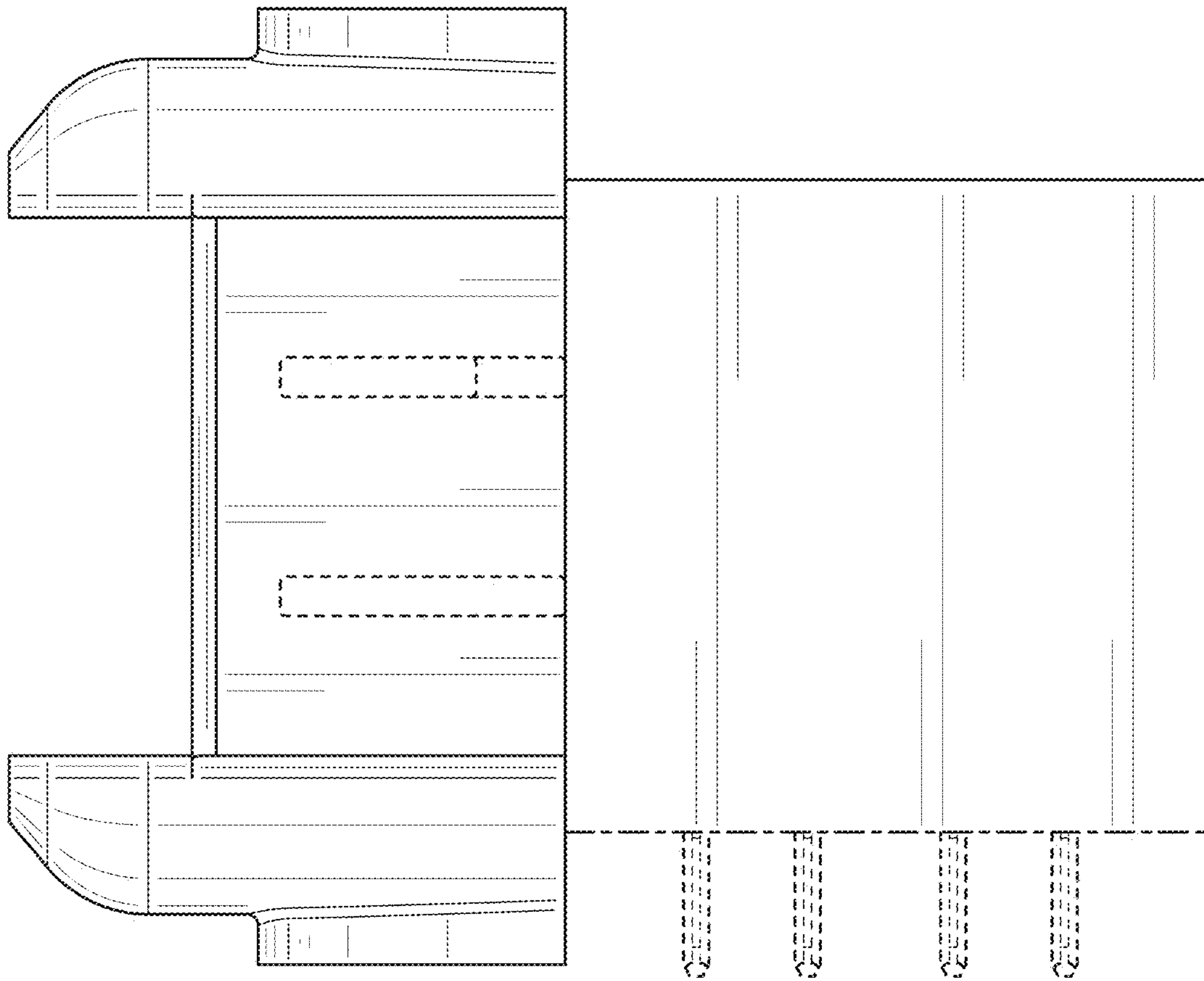


FIG. 5

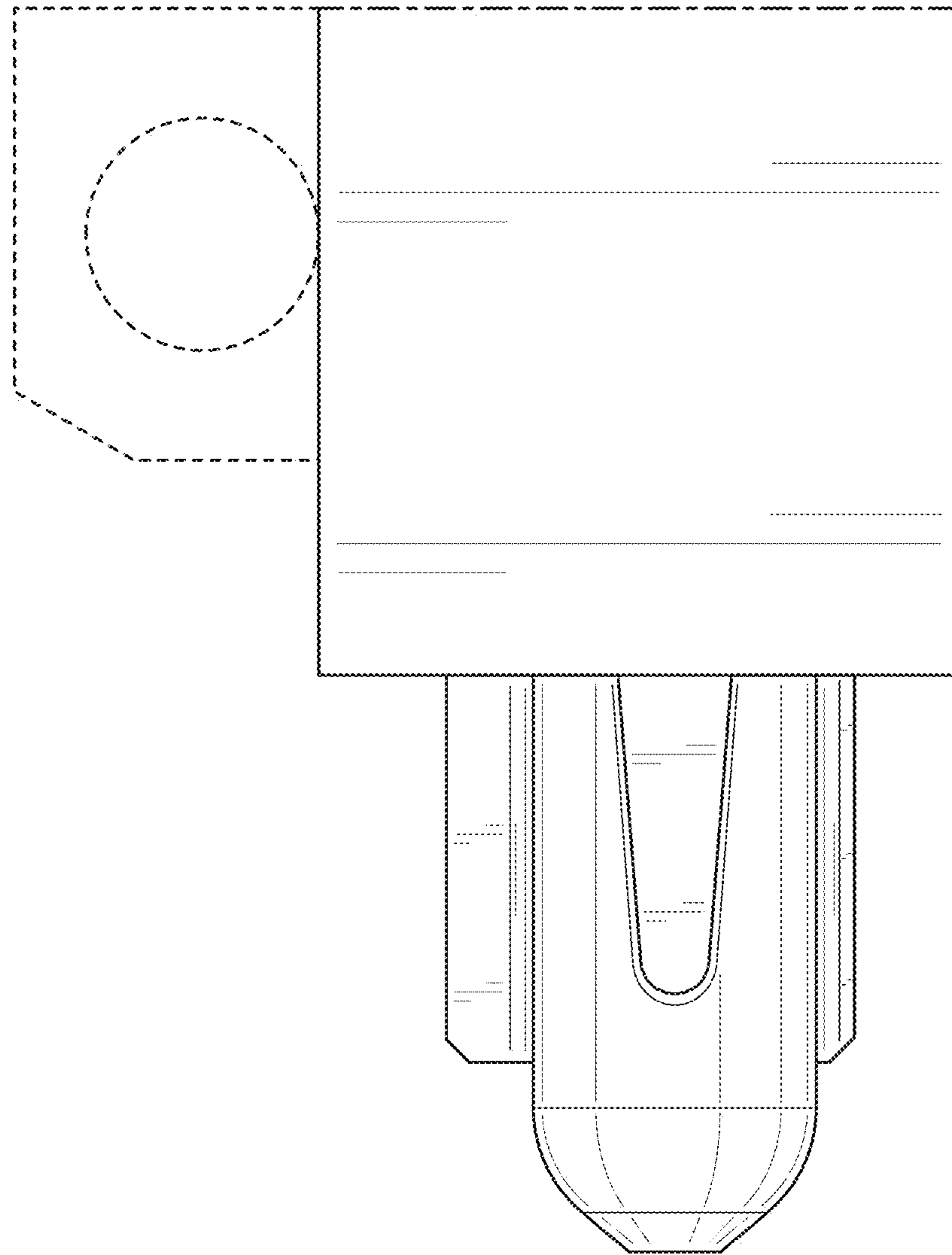


FIG. 6

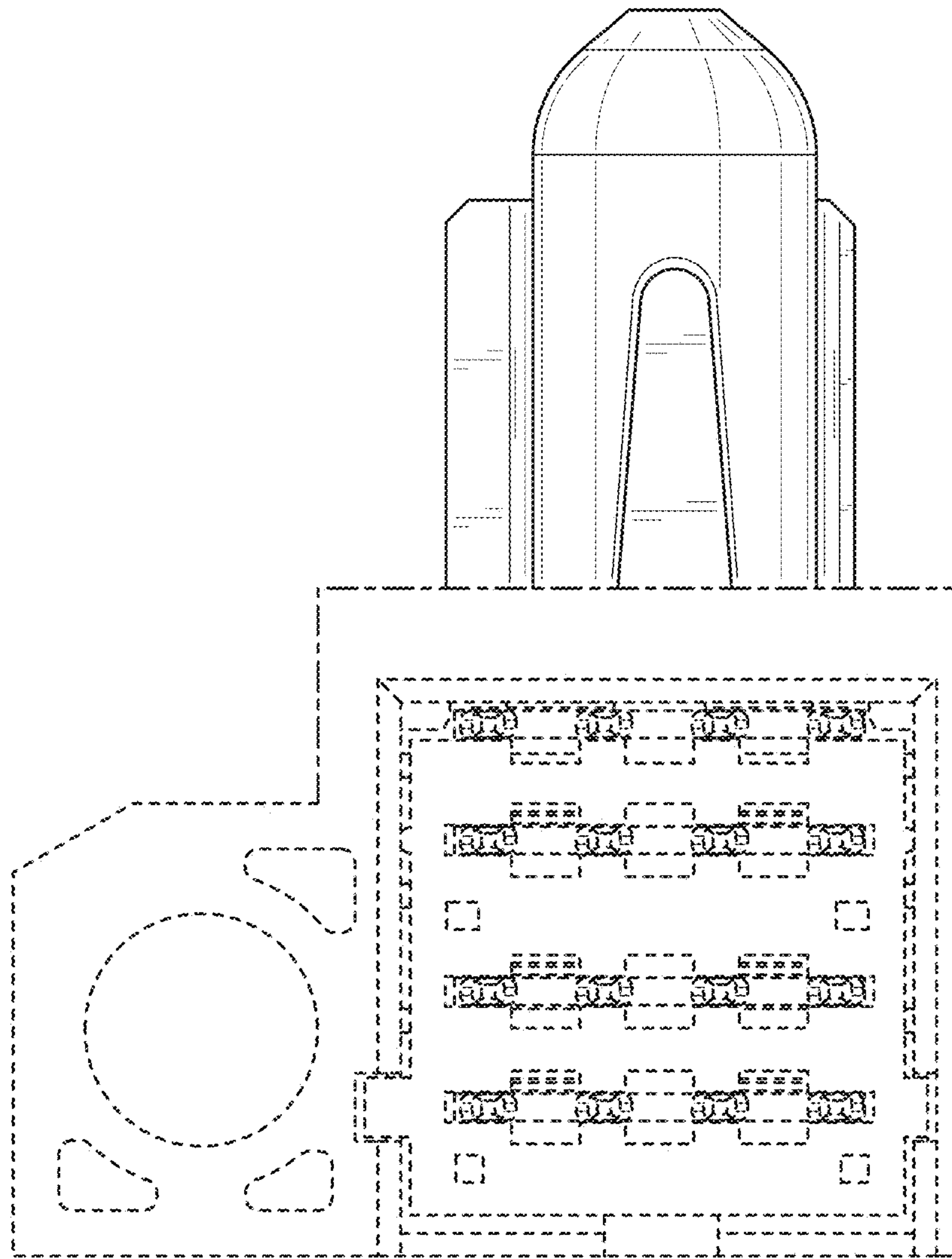


FIG. 7