



US00D975022S

(12) **United States Design Patent**
Lin

(10) **Patent No.:** **US D975,022 S**
(45) **Date of Patent:** **** Jan. 10, 2023**

(54) **SOCKET**

(71) Applicant: **Dongguan Wontravel Electric Co., Ltd.**, Guangdong (CN)

(72) Inventor: **Liangguan Lin**, Guangdong (CN)

(**) Term: **15 Years**

(21) Appl. No.: **29/763,527**

(22) Filed: **Dec. 23, 2020**

(30) **Foreign Application Priority Data**

Jun. 29, 2020 (CN) 202030338296.4

(51) **LOC (14) Cl.** **13-03**

(52) **U.S. Cl.**
USPC **D13/139.8**

(58) **Field of Classification Search**

USPC D13/137.1, 137.2, 137.3, 137.4, 138.1,
D13/138.2, 139.1, 139.2, 139.3, 139.4,
D13/139.5, 139.6, 139.7, 139.8, 103, 107,
D13/108, 110, 119, 123, 133, 145, 152,
D13/153, 154, 156, 158, 160, 162, 177,
D13/184, 199

CPC H01R 13/00; H01R 13/03; H01R 13/04;
H01R 13/10; H01R 13/35; H01R 13/44;
H01R 13/453; H01R 13/4534; H01R
13/502; H01R 13/514; H01R 13/631;
H01R 13/639; H01R 13/6633; H01R
13/6666; H01R 13/6675; H01R 13/7135;
H01R 31/02; H01R 31/06; H01R 31/065

See application file for complete search history.

(56) **References Cited**

U.S. PATENT DOCUMENTS

D409,978 S * 5/1999 Stekelenburg D13/139.6
D574,328 S * 8/2008 Chen D13/139.6
D705,732 S * 5/2014 Lee D13/137.2
D775,081 S * 12/2016 Xu D13/139.6
D796,445 S * 9/2017 Xu D13/139.6

D816,039 S * 4/2018 Lu D13/139.8
D864,874 S * 10/2019 Xu D13/139.8
D900,033 S * 10/2020 Chen D13/137.2
D900,748 S * 11/2020 Chen D13/137.2
D904,983 S * 12/2020 Chen D13/139.8
D908,631 S * 1/2021 Yu D13/137.2

(Continued)

FOREIGN PATENT DOCUMENTS

GB 6140071 * 5/2021

OTHER PUBLICATIONS

“Power Strip, QINLIANF Surge Protector with 8 Outlets and 4 USB Ports, 6 Feet Extension Cord, 2100 Joules, ETL Listed, White”, first available Aug. 17, 2021. Amazon.com [https://www.amazon.com/QINLIANF-Protector-Outlets-Extension-Joules/dp/B09CT9JPCF] (Year: 2021).*

(Continued)

Primary Examiner — Rosemary K Tarca

Assistant Examiner — Seth David Kumpf

(74) *Attorney, Agent, or Firm* — Prakash Nama; Global IP Services, PLLC

(57) **CLAIM**

The ornamental design for a socket, as shown.

DESCRIPTION

FIG. 1 is a front elevational view of a socket showing my new design;

FIG. 2 is a rear elevational view thereof;

FIG. 3 is a left side view thereof;

FIG. 4 is a right side view thereof;

FIG. 5 is a top plan view thereof;

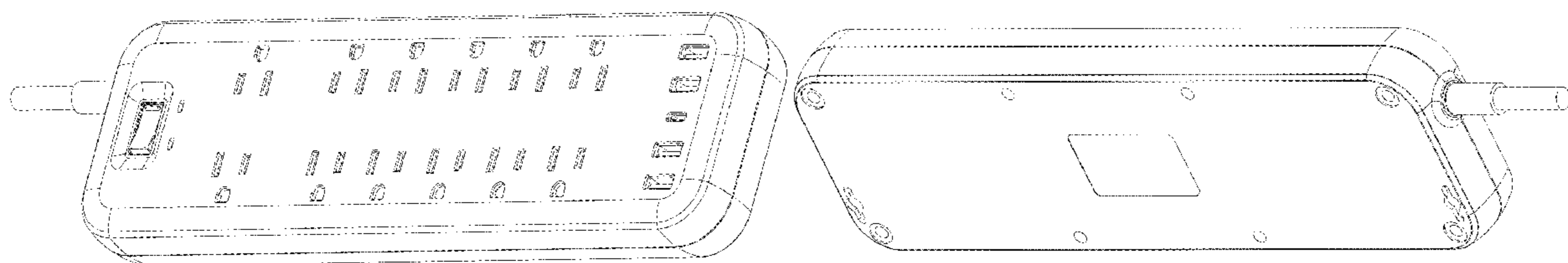
FIG. 6 is a bottom plan view thereof;

FIG. 7 is a perspective view thereof;

FIG. 8 is a second perspective view thereof; and,

FIG. 9 is a third perspective view thereof.

1 Claim, 8 Drawing Sheets



(56)

References Cited

U.S. PATENT DOCUMENTS

D913,243 S * 3/2021 Chan D13/137.2
D922,953 S * 6/2021 Mei D13/139.8
D922,954 S * 6/2021 Mei D13/139.8
D922,955 S * 6/2021 Chen D13/139.8
D922,956 S * 6/2021 Yan D13/139.8
D924,809 S * 7/2021 Chen D13/137.2
D931,220 S * 9/2021 Wang D13/137.2
D934,810 S * 11/2021 Yan D13/139.8
D935,410 S * 11/2021 Tao D13/137.2
2015/0236453 A1* 8/2015 Magee, Jr. H01R 13/6691
307/40

OTHER PUBLICATIONS

“Power Strip , Tcstei Surge Protector with 8 Outlets and 4 USB Ports(1 USB C Outlet), 6 Feet Extension Cord (1875W/15A), 2700 Joules, ETL Listed, Grey”, first available Aug. 31, 2021. Amazon.com [https://www.amazon.com/Tcstei-Protector-Outlets-Outlet-Extension/dp/B09F2XVZHK] (Year: 2021).*

“Power Strip , Tcstei Surge Protector with 12 Outlets and 4 USB Ports, 6 Feet Extension Cord (1875W/15A) for for Home, Office, Dorm Essentials, 2700 Joules, ETL Listed, (Black)”, first available Nov. 30, 2020. Amazon.com [https://www.amazon.com/dp/B08PC872RL] (Year: 2020).*

“Power Strip, Surge Protector Flat Plug, 12 Outlets & 3 USB Charging Ports, 1875W/15A 1700J, 6ft Extension Cord, Overload Protection, Wall Mountable for Home Office Computer TV (White)”, first available Jul. 29, 2021. Amazon.com [https://www.amazon.com/dp/B099X1DXDL] (Year: 2021).*

* cited by examiner

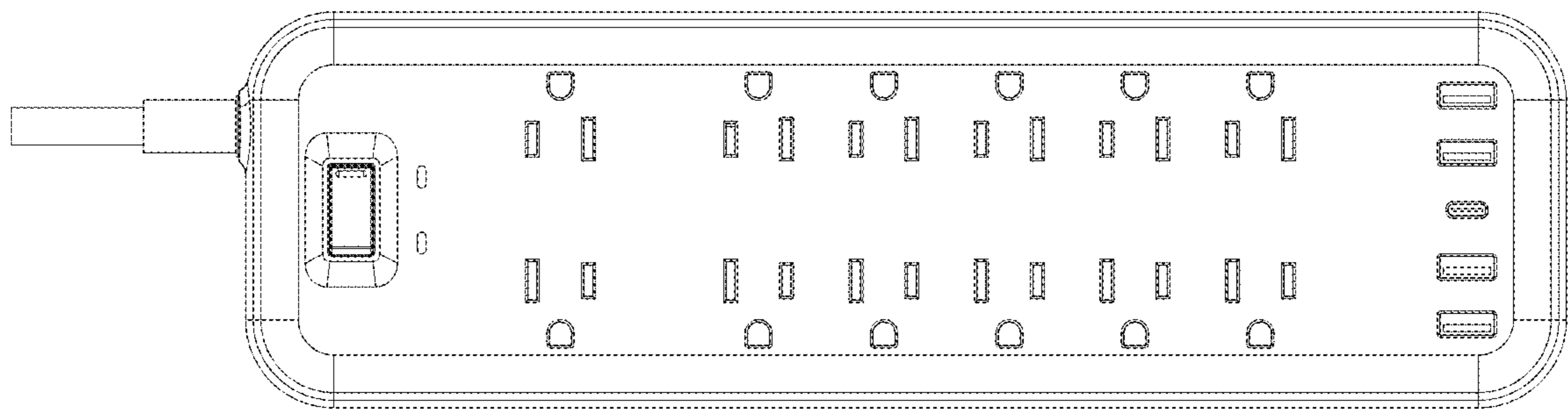


FIG. 1

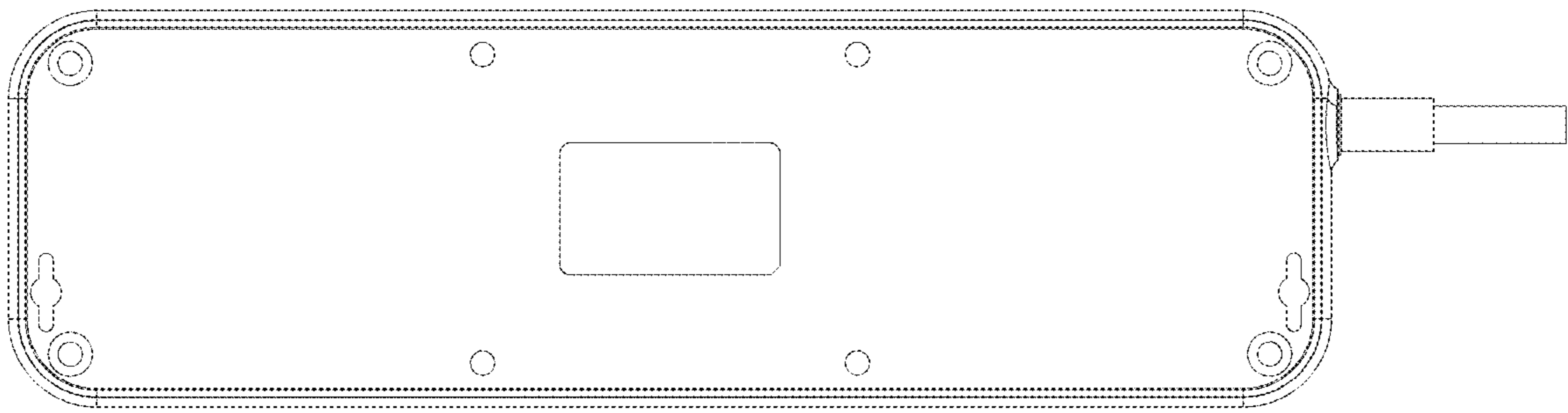


FIG. 2

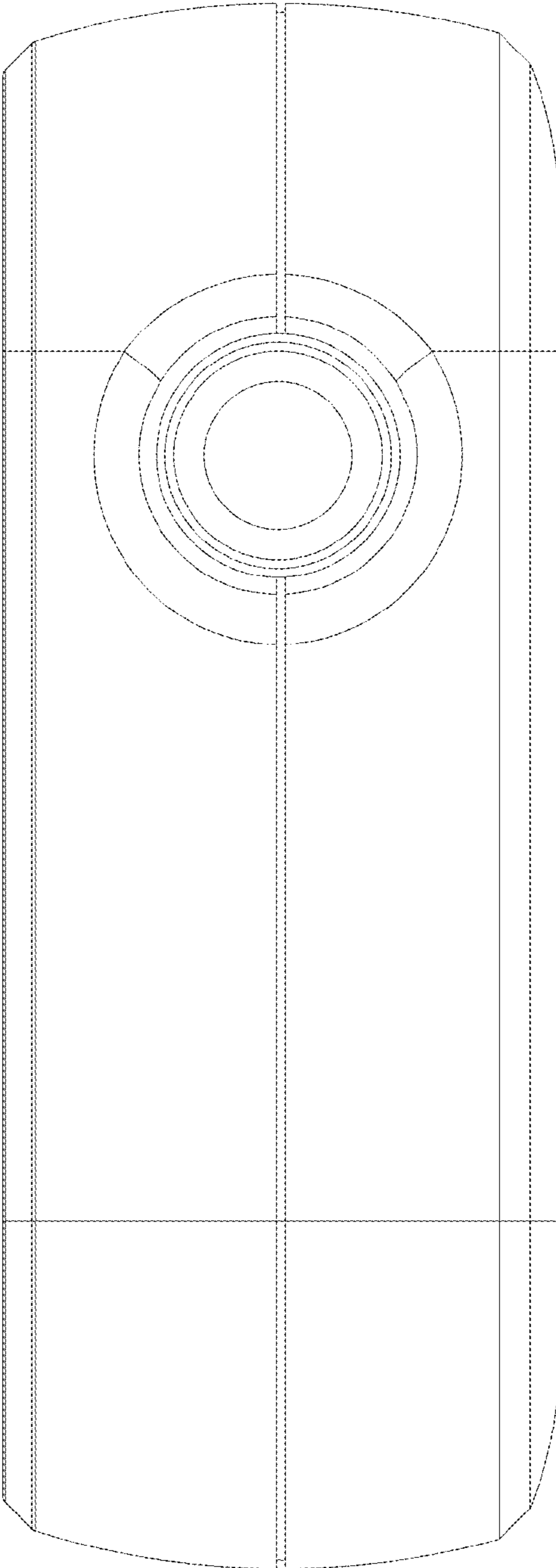


FIG. 3

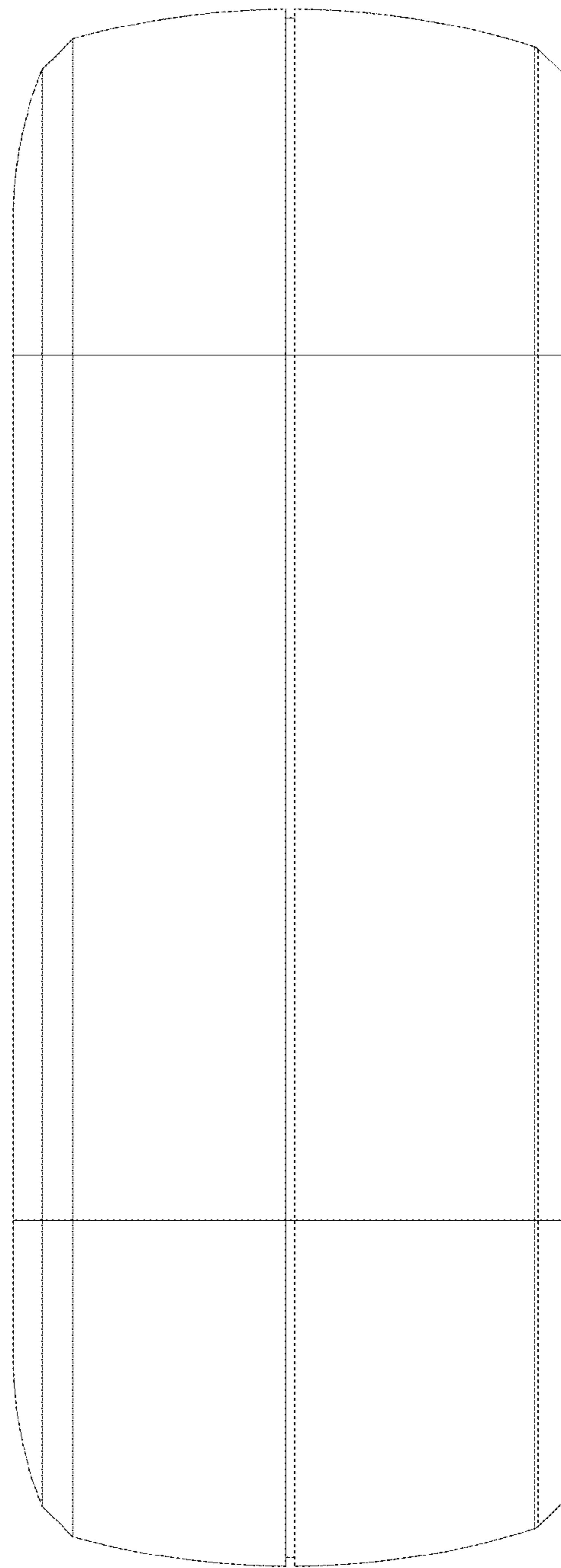


FIG. 4

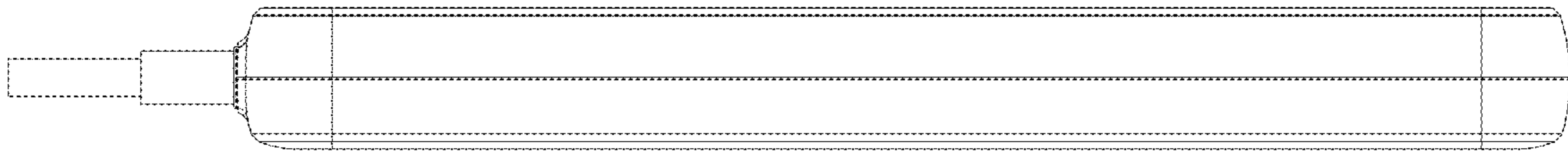


FIG. 5

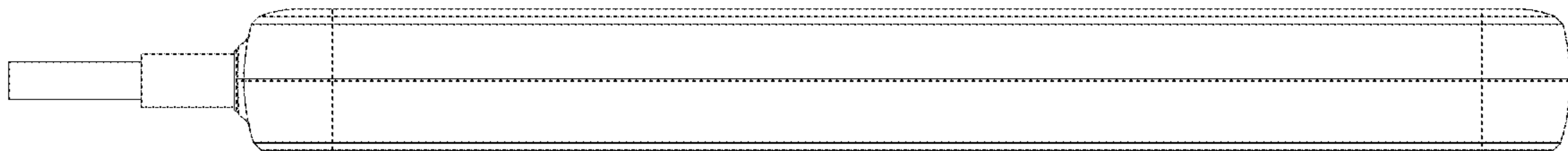


FIG. 6

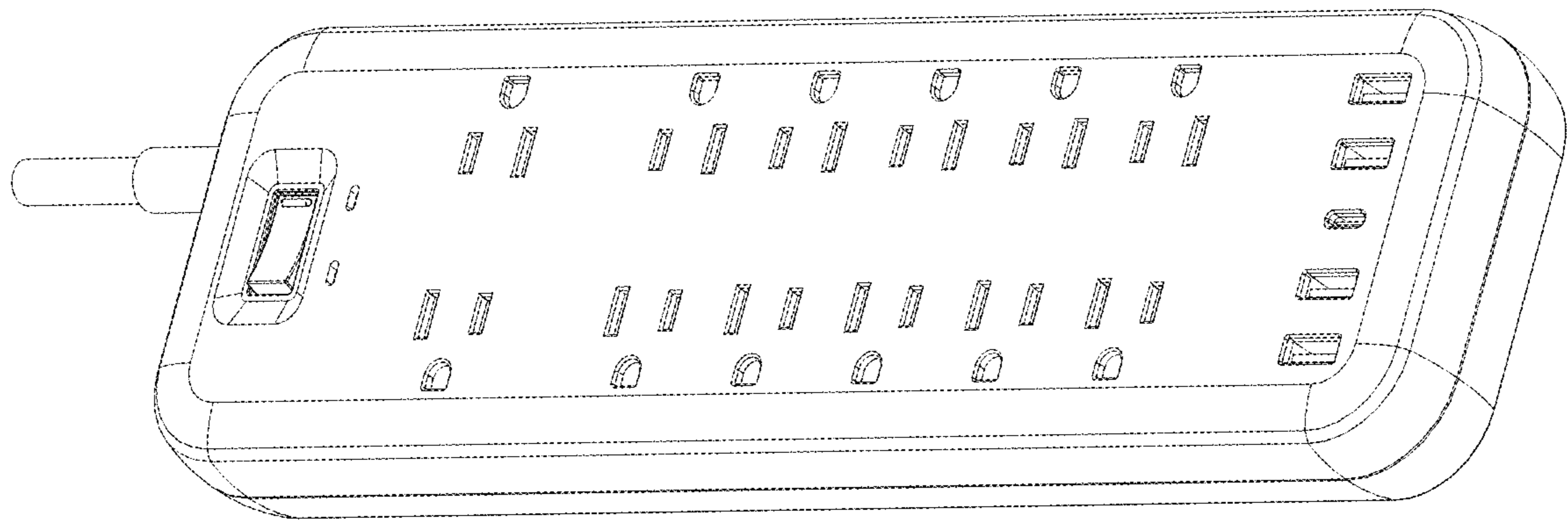


FIG. 7

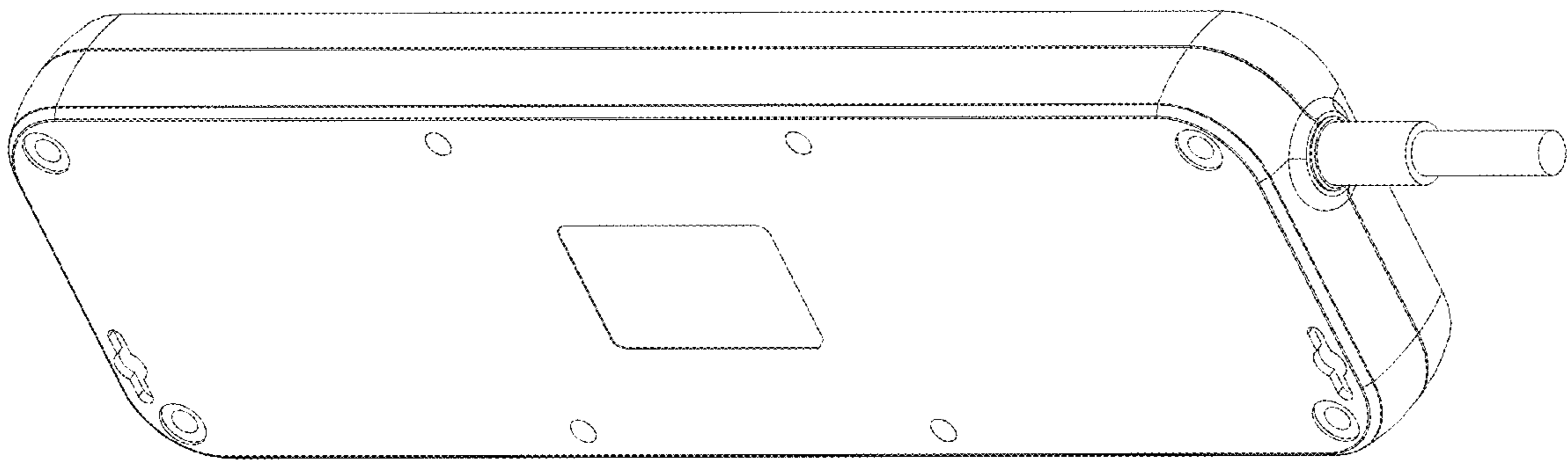


FIG. 8

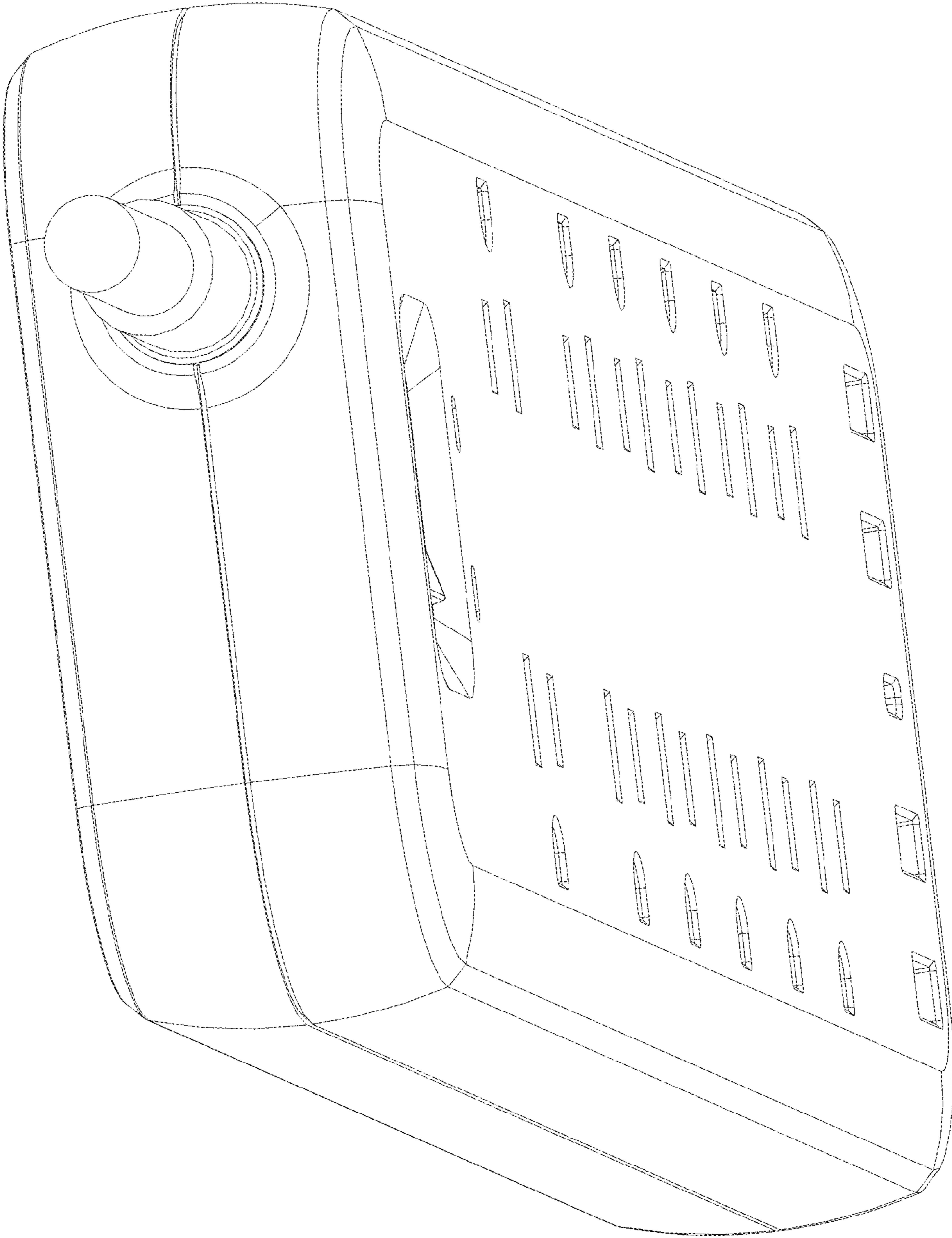


FIG. 9