



US00D975021S

(12) **United States Design Patent** (10) **Patent No.:** **US D975,021 S**  
**Lee** (45) **Date of Patent:** **\*\* Jan. 10, 2023**

(54) **POWER SOLUTION CRADLE DOCK**

D872,695 S \* 1/2020 Bo ..... D13/137.2  
D878,300 S \* 3/2020 Lyu ..... D13/139.8  
D902,864 S \* 11/2020 Turksu ..... D13/137.1

(71) Applicant: **Yuyi Lee**, La Palma, CA (US)

(72) Inventor: **Yuyi Lee**, La Palma, CA (US)

(\*\*) Term: **15 Years**

FOREIGN PATENT DOCUMENTS

CN 306541172 \* 5/2021  
CN 306541173 \* 5/2021

(21) Appl. No.: **29/749,483**

OTHER PUBLICATIONS

(22) Filed: **Sep. 4, 2020**

“Feit Electric Indoor Wi-Fi Smart Plug”, first accessed Oct. 26, 2021. Menards.com [https://www.menards.com/main/electrical/electrical-cords-surge-protectors/outlet-adapters/feit-electric-indoor-wi-fi-smart-plug/smartplug-ind/p-1560494221678-c-6483.htm] (Year: 2021).\*

(51) **LOC (14) Cl.** ..... **13-03**

(52) **U.S. Cl.**  
USPC ..... **D13/139.7**

(58) **Field of Classification Search**  
USPC ..... D13/137.1, 137.2, 137.3, 137.4, 138.1, D13/138.2, 139.1, 139.2, 139.7, 139.8, D13/184, 103, 107, 199, 108, 110, 119, D13/123, 133, 139.3, 139.5, 139.6, 152, D13/145, 153, 154, 156, 158, 160, 162, D13/177; D14/433, 434  
CPC ..... H01R 13/00; H01R 13/04; H01R 13/10; H01R 13/665; H01R 13/666; H01R 13/667; H01R 13/7135; H01R 25/00; H01R 25/006; H01R 9/00; H01R 11/00; H02H 3/33; H02H 3/162; H01H 2207/00; H01H 2207/022; H01H 2203/00; H05K 5/00; H05K 5/03

See application file for complete search history.

(Continued)

*Primary Examiner* — Rosemary K Tarcza  
*Assistant Examiner* — Seth David Kumpf  
(74) *Attorney, Agent, or Firm* — John D. Tran; Rhema Law Group

(57) **CLAIM**

The ornamental design for a power solution cradle dock, as shown and described.

**DESCRIPTION**

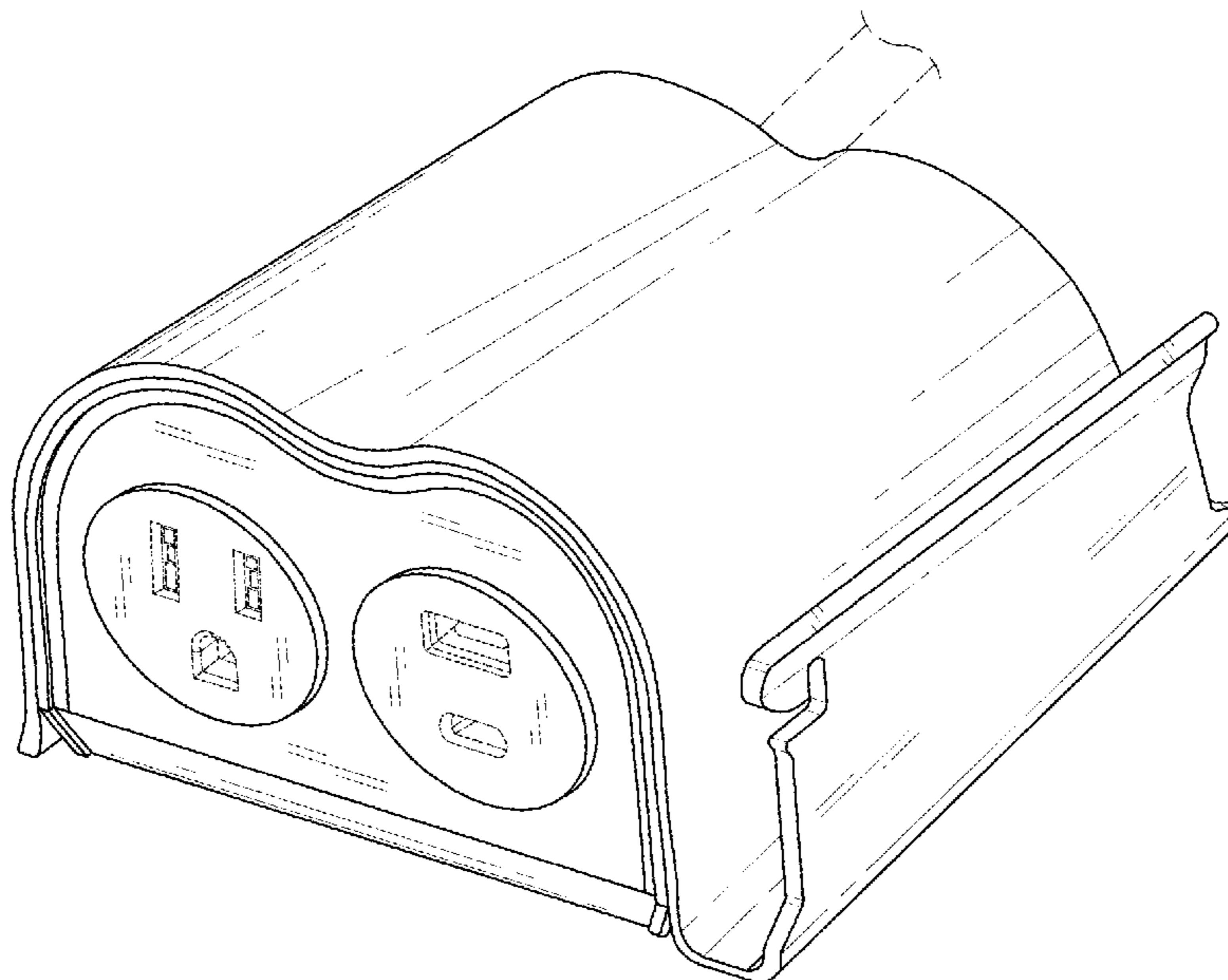
FIG. 1 is perspective view of a power solution cradle dock; FIG. 2 is a top down view of a power solution cradle dock; FIG. 3 is a bottom view of a power solution cradle dock; FIG. 4 is a front view of a power solution cradle dock; FIG. 5 is a back view of a power solution cradle dock; FIG. 6 is a right side view of a power solution cradle dock; and, FIG. 7 is a left side view of a power solution cradle dock. The broken lines shown in the drawings are for the purpose of illustrating portions of the power solution monitor dock that form no part of the claimed design.

(56) **References Cited**

U.S. PATENT DOCUMENTS

D832,207 S \* 10/2018 Gorin ..... D13/107  
D839,211 S \* 1/2019 Baldwin ..... D13/152  
D845,900 S \* 4/2019 Liu ..... D13/137.2  
D851,597 S \* 6/2019 Ding ..... D13/137.2  
D852,140 S \* 6/2019 Chen ..... D13/137.2  
D861,613 S \* 10/2019 Dai ..... D13/137.2  
D867,996 S \* 11/2019 Chen ..... D13/137.2

**1 Claim, 7 Drawing Sheets**



(56)

**References Cited**

OTHER PUBLICATIONS

“GE 3-Outlet Extender Wall Tap, Grounded Adapter Plug, Indoor Rated, 3-Prong, Perfect for Travel, UL Listed, White, 52203”, first available Aug. 29, 2002. Amazon.com [<https://www.amazon.com/dp/B000061BFC>] (Year: 2002).\*

“Emporia Smart Plug with Energy Monitoring | 15A Max / 10A Continuous | WiFi Smart Outlet | Emporia App | Alexa | Google | ETL Certified (Package of 4)”, first available Sep. 2, 2020. Amazon.com [<https://www.amazon.com/dp/B08CVSSVWP>] (Year: 2020).\*

“HBN Smart Plug 15A, WiFi&Bluetooth Outlet Extender Dual Socket Plugs Works with Alexa, Google Home Assistant, Remote Control with Timer Function, No Hub Required, ETL Certified, 2.4G WiFi Only, 1-Pack”, first available Dec. 16, 2019. Amazon.com [<https://www.amazon.com/dp/B082T4D8BC>] (Year: 2019).\*

\* cited by examiner

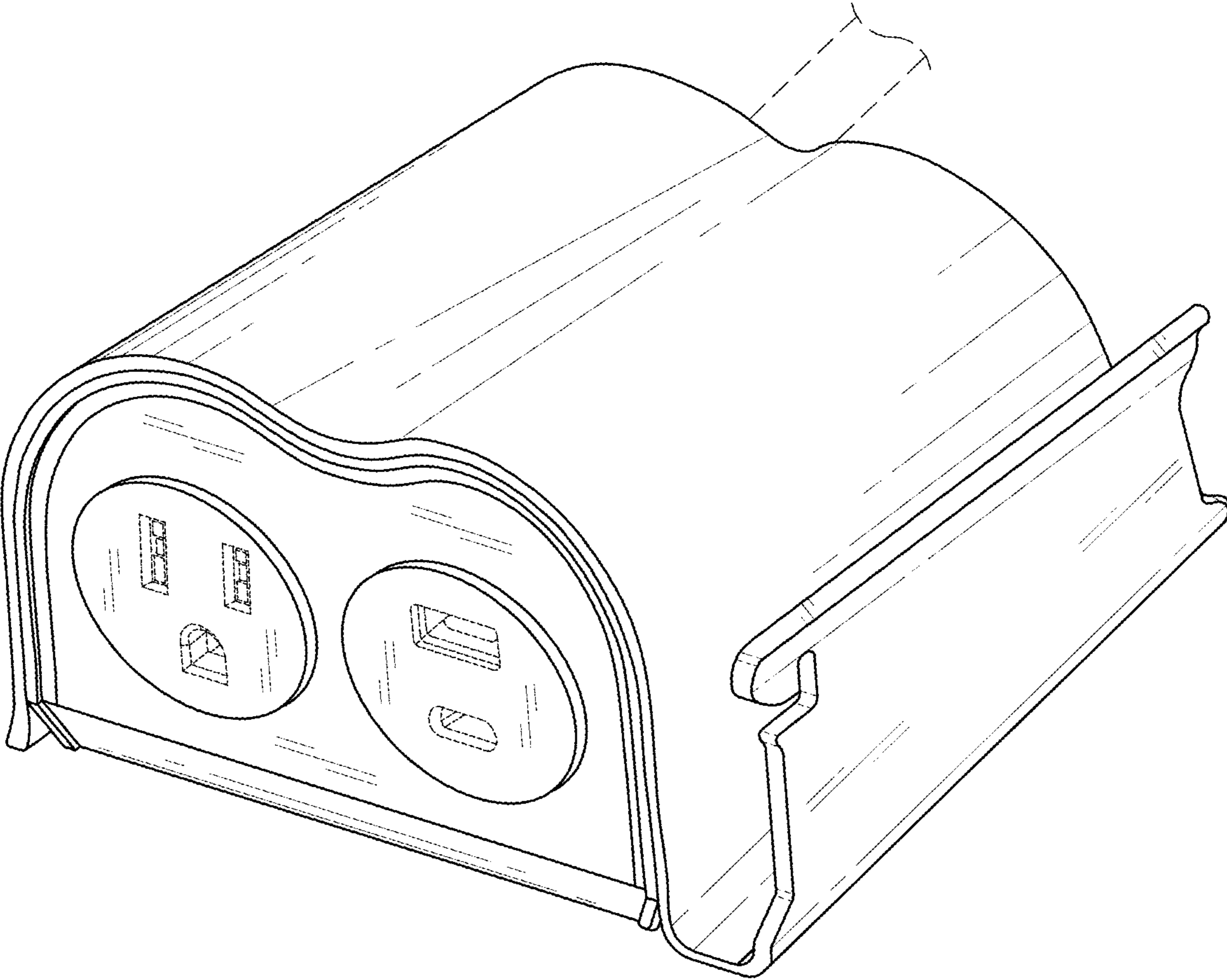


FIG. 1

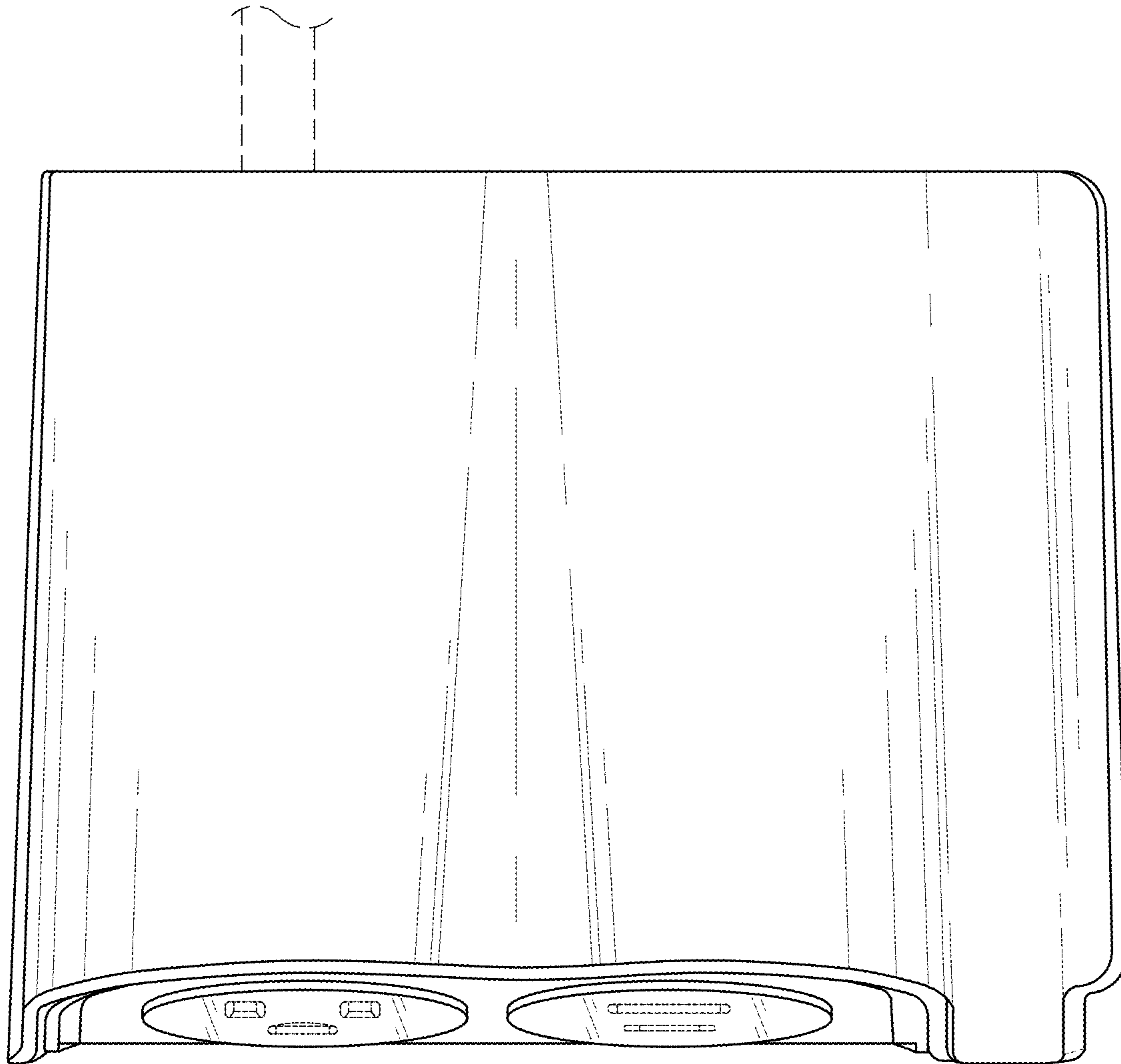


FIG. 2

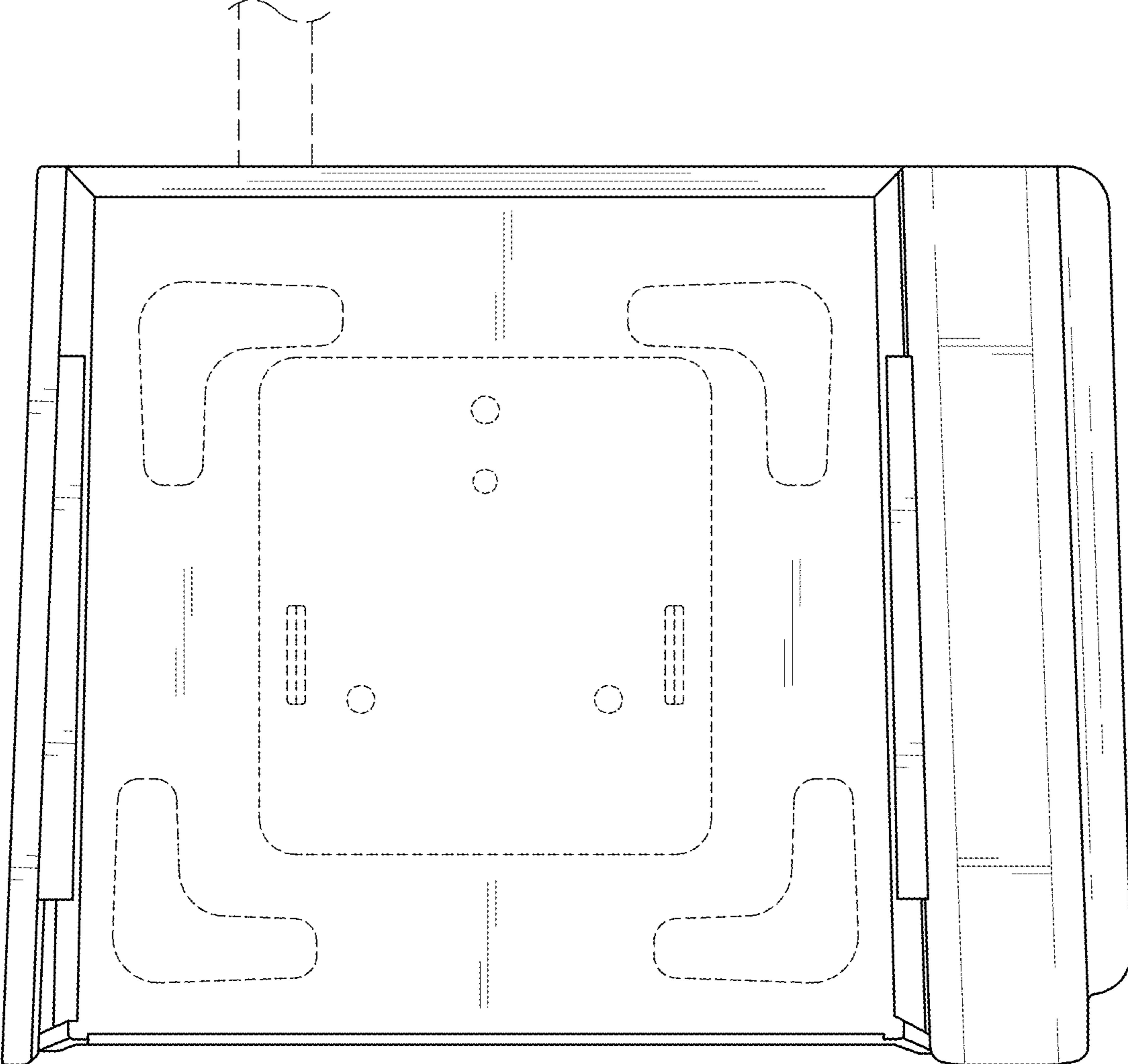


FIG. 3

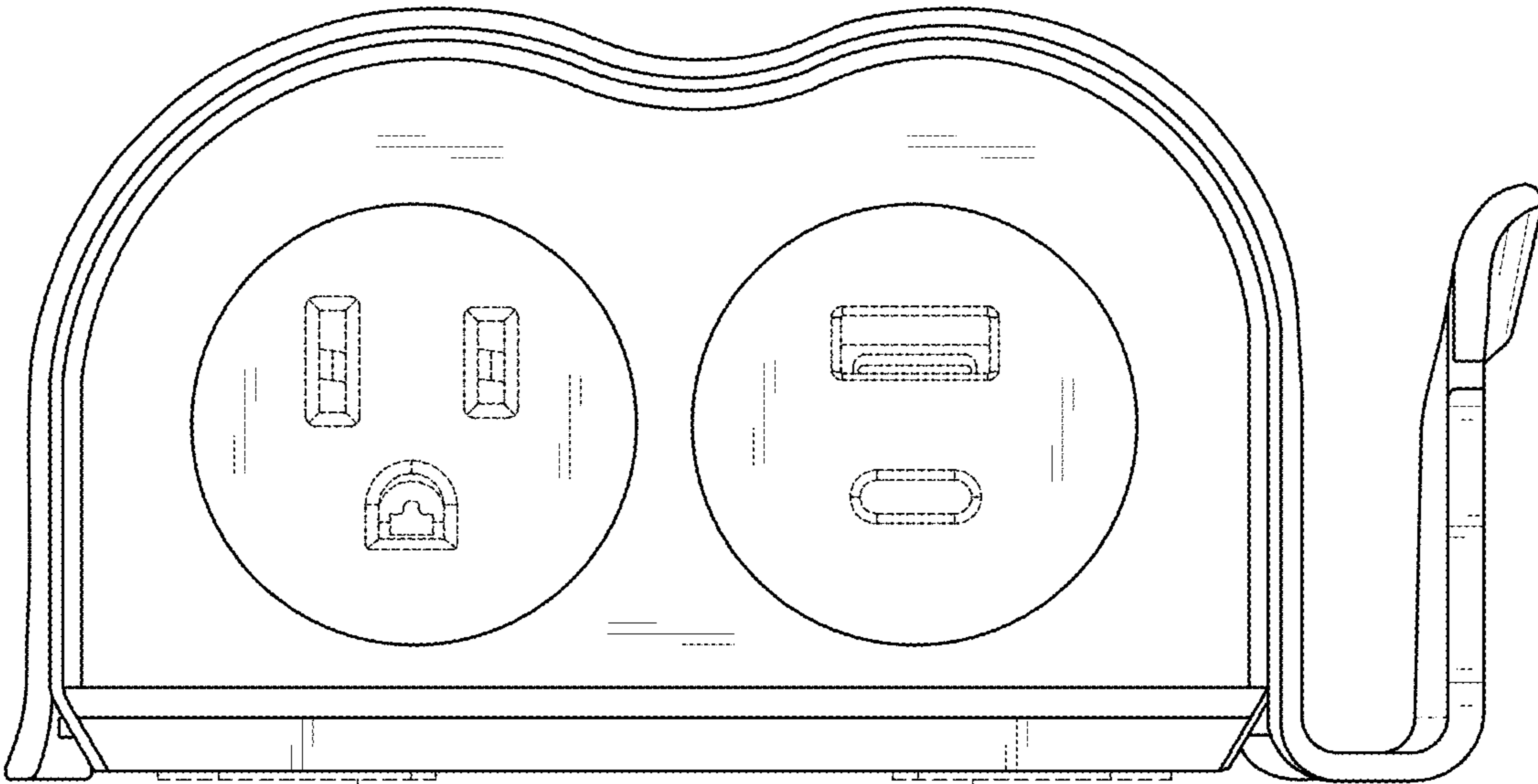


FIG. 4

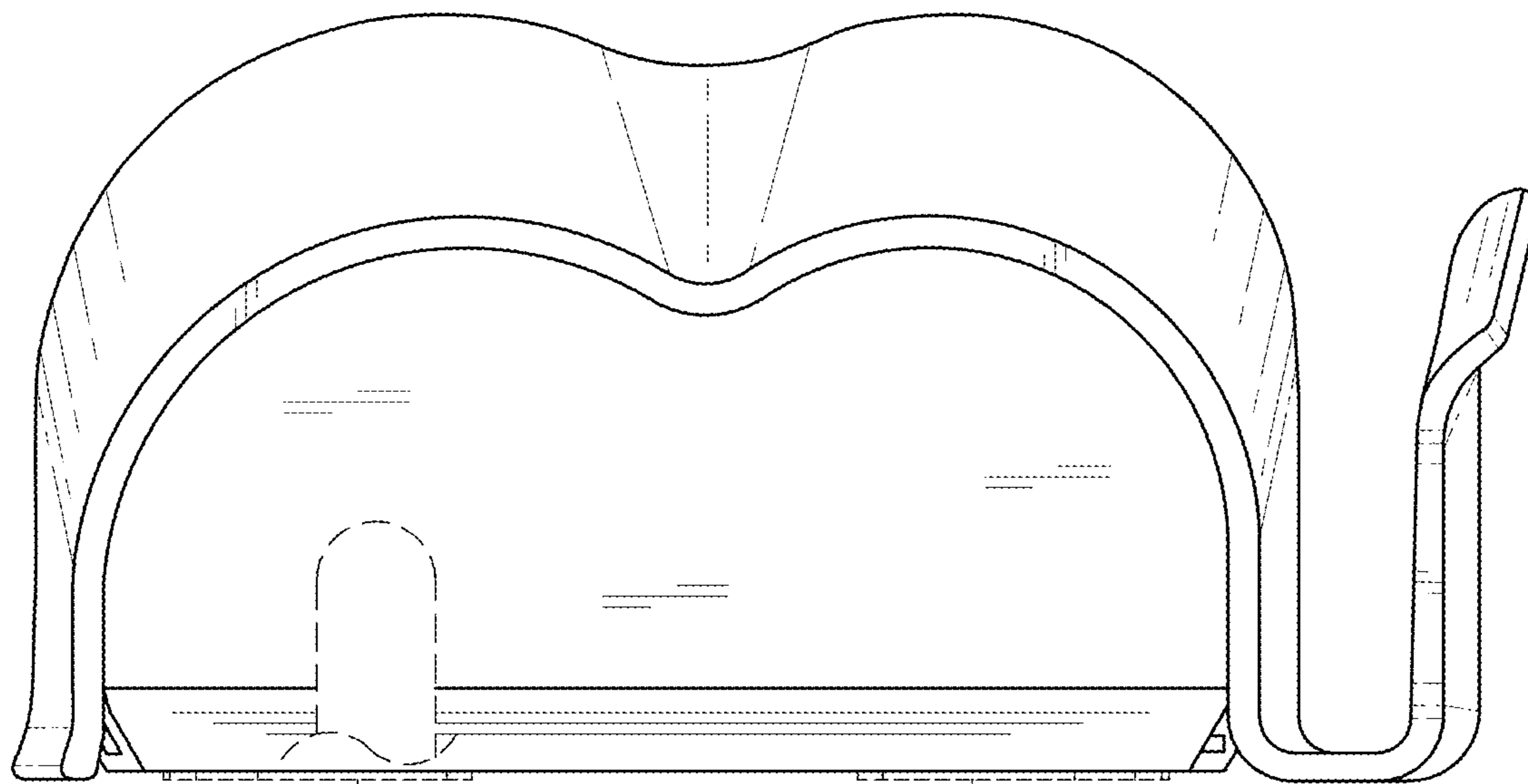


FIG. 5

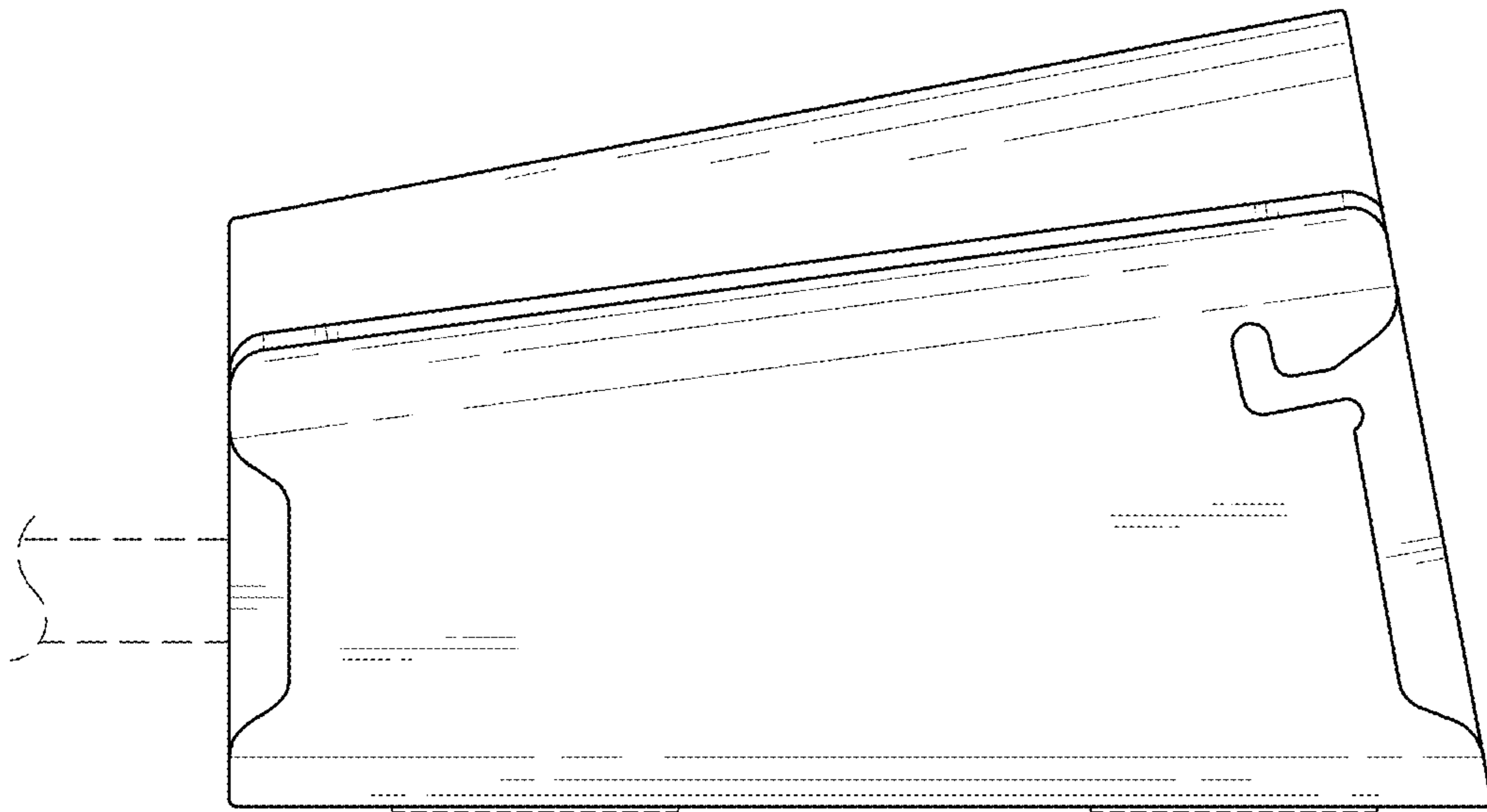


FIG. 6



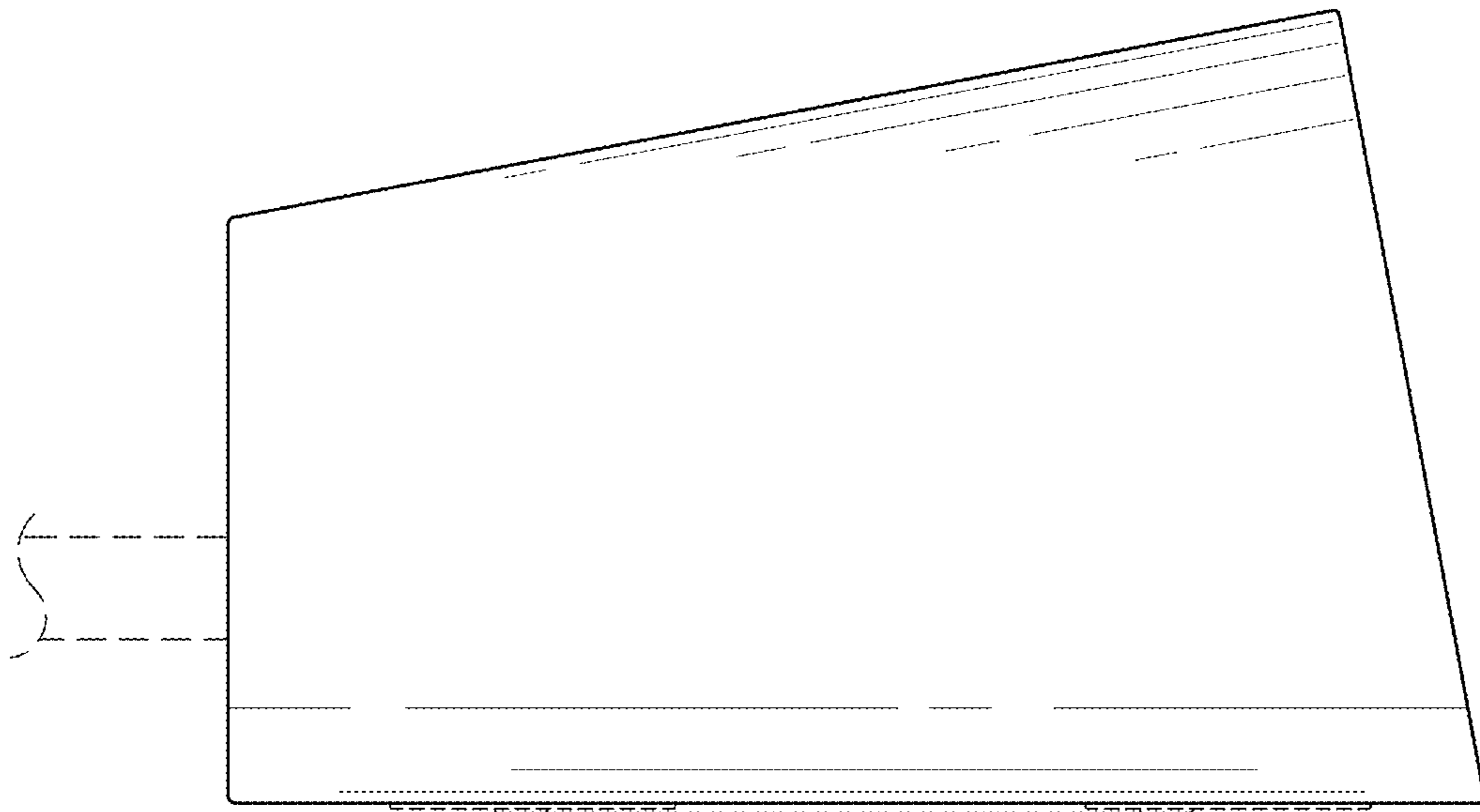


FIG. 7