



US00D975020S

(12) **United States Design Patent**
Tan

(10) **Patent No.:** **US D975,020 S**

(45) **Date of Patent:** **** Jan. 10, 2023**

(54) **SOCKET**

(71) Applicant: **Zhenye Tan**, Guangzhou (CN)

(72) Inventor: **Zhenye Tan**, Guangzhou (CN)

(**) Term: **15 Years**

(21) Appl. No.: **29/856,561**

(22) Filed: **Oct. 14, 2022**

(51) **LOC (14) Cl.** **13-03**

(52) **U.S. Cl.**
USPC **D13/137.2**

(58) **Field of Classification Search**
USPC ... D13/137.1-137.4, 138.2, 138.1, 110, 108,
D13/107, 139.7, 139.8
CPC H01R 33/94; H01R 31/06; H02J 7/0042
See application file for complete search history.

(56) **References Cited**

U.S. PATENT DOCUMENTS

D443,589 S *	6/2001	Tong	D13/137.2
D695,693 S *	12/2013	Lee	D13/152
D734,253 S *	7/2015	Tinaphong	H01R 13/70
				D13/137.1
D751,038 S *	3/2016	Lin	D13/137.2
D808,046 S *	1/2018	Jianting	D26/26
D820,212 S *	6/2018	Stern	D13/137.2
D835,042 S	12/2018	Qiu et al.		
D864,871 S	10/2019	Xiao		

D878,299 S *	3/2020	Lyu	D13/139.8
D879,034 S *	3/2020	Wu	D13/137.2
D885,345 S *	5/2020	Chen	D13/139.8
D888,665 S *	6/2020	Xiong	D13/110
D895,554 S *	9/2020	Jianting	D13/137.2
D909,305 S *	2/2021	Shaopeng	D13/137.2
D909,307 S *	2/2021	Shaopeng	D13/137.2
D924,806 S *	7/2021	Li	D13/137.2
D954,654 S *	6/2022	Wei	D13/139.8
D955,992 S *	6/2022	Lin	D13/137.1
D958,082 S *	7/2022	Lin	D13/139.7
D958,756 S *	7/2022	Lin	D13/139.8

* cited by examiner

Primary Examiner — Rhea Shields

(74) *Attorney, Agent, or Firm* — Jeenam Park

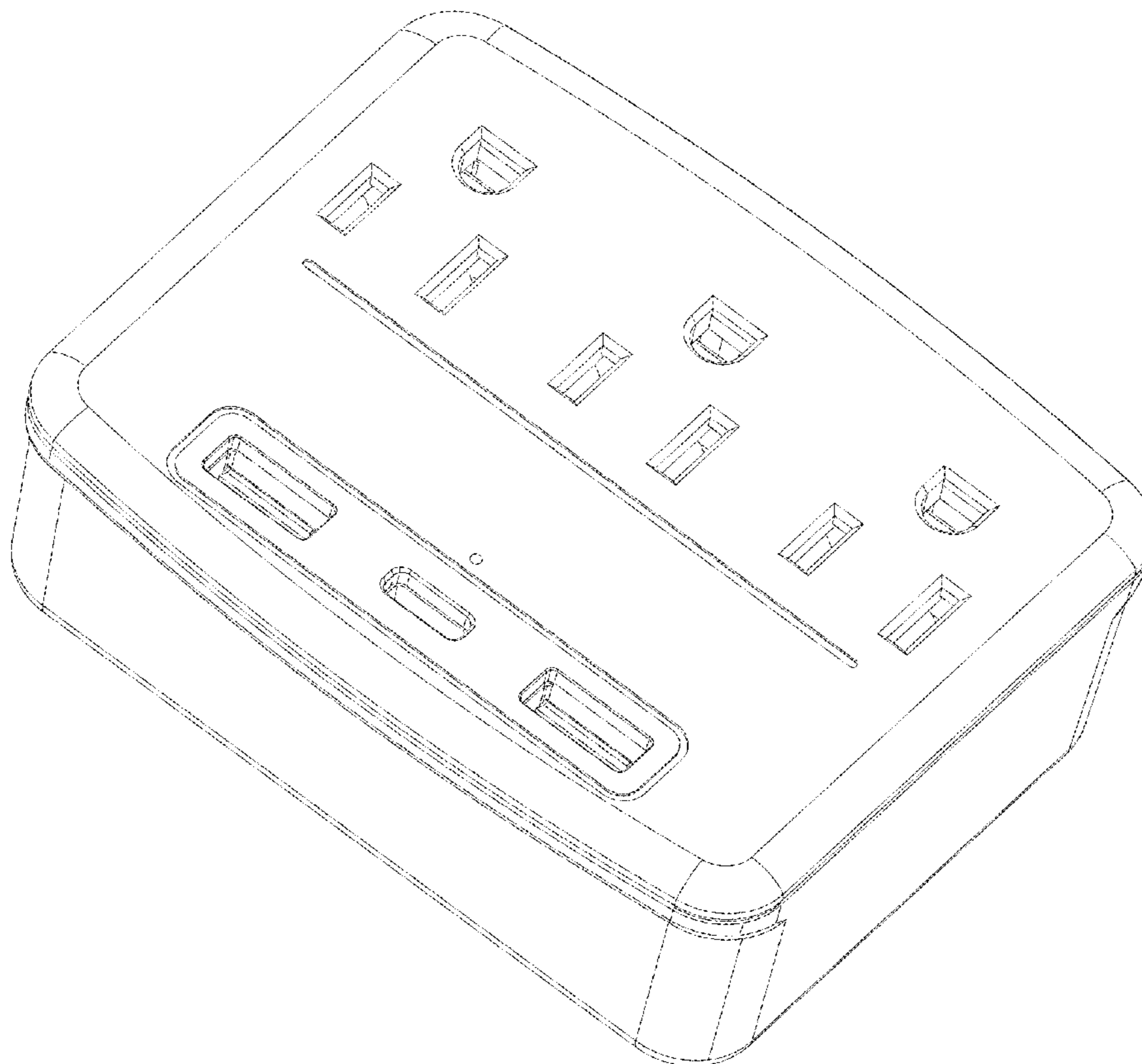
(57) **CLAIM**

The ornamental design for a socket, as shown and described.

DESCRIPTION

FIG. 1 is a front, right and bottom perspective view of a socket, showing my new design;
 FIG. 2 is a rear, right and top perspective view thereof;
 FIG. 3 is a front view thereof;
 FIG. 4 is a rear view thereof;
 FIG. 5 is a left side view thereof;
 FIG. 6 is a right side view thereof;
 FIG. 7 is a top plan view thereof; and,
 FIG. 8 is a bottom plan view thereof.

1 Claim, 8 Drawing Sheets



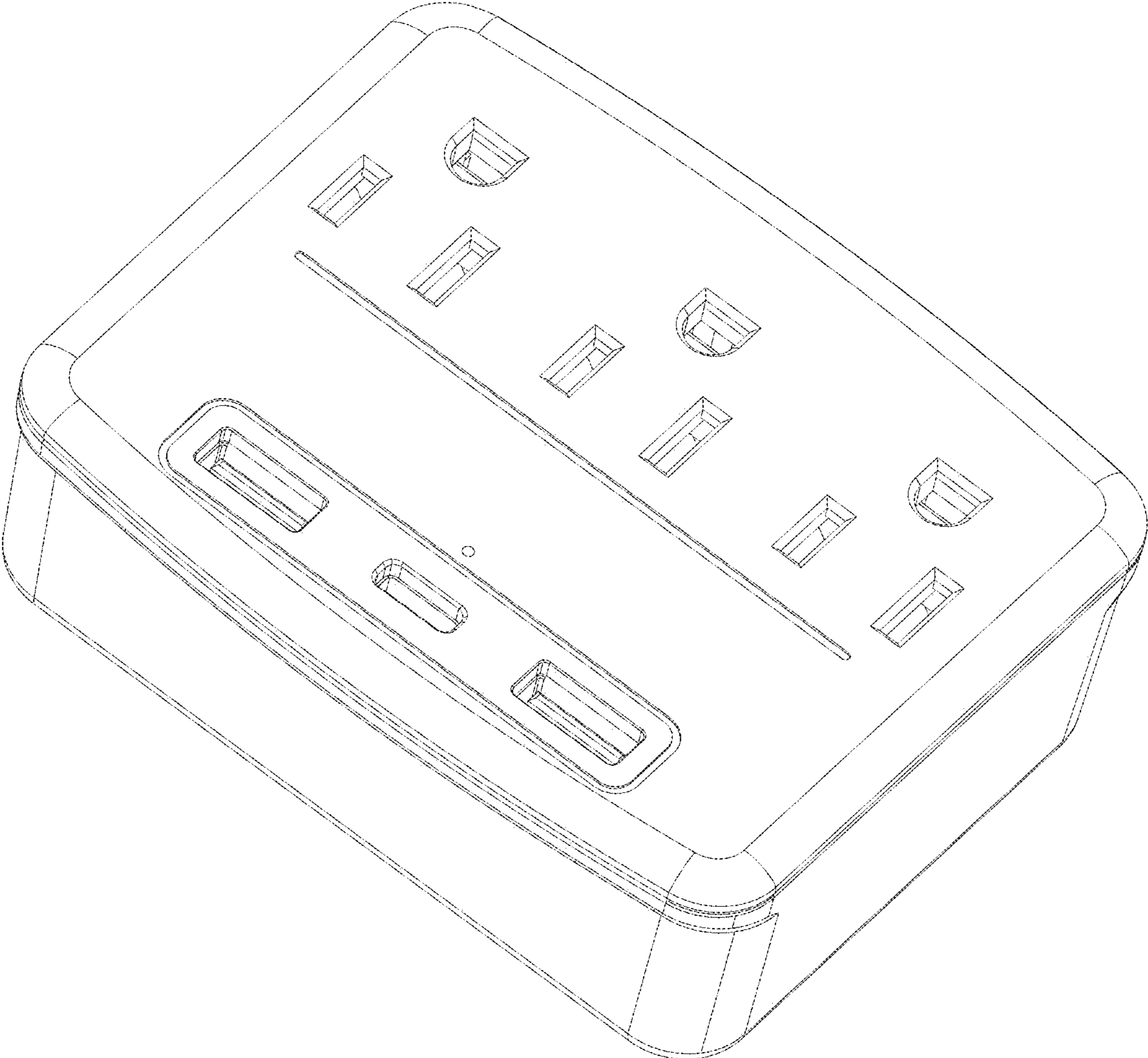


FIG. 1

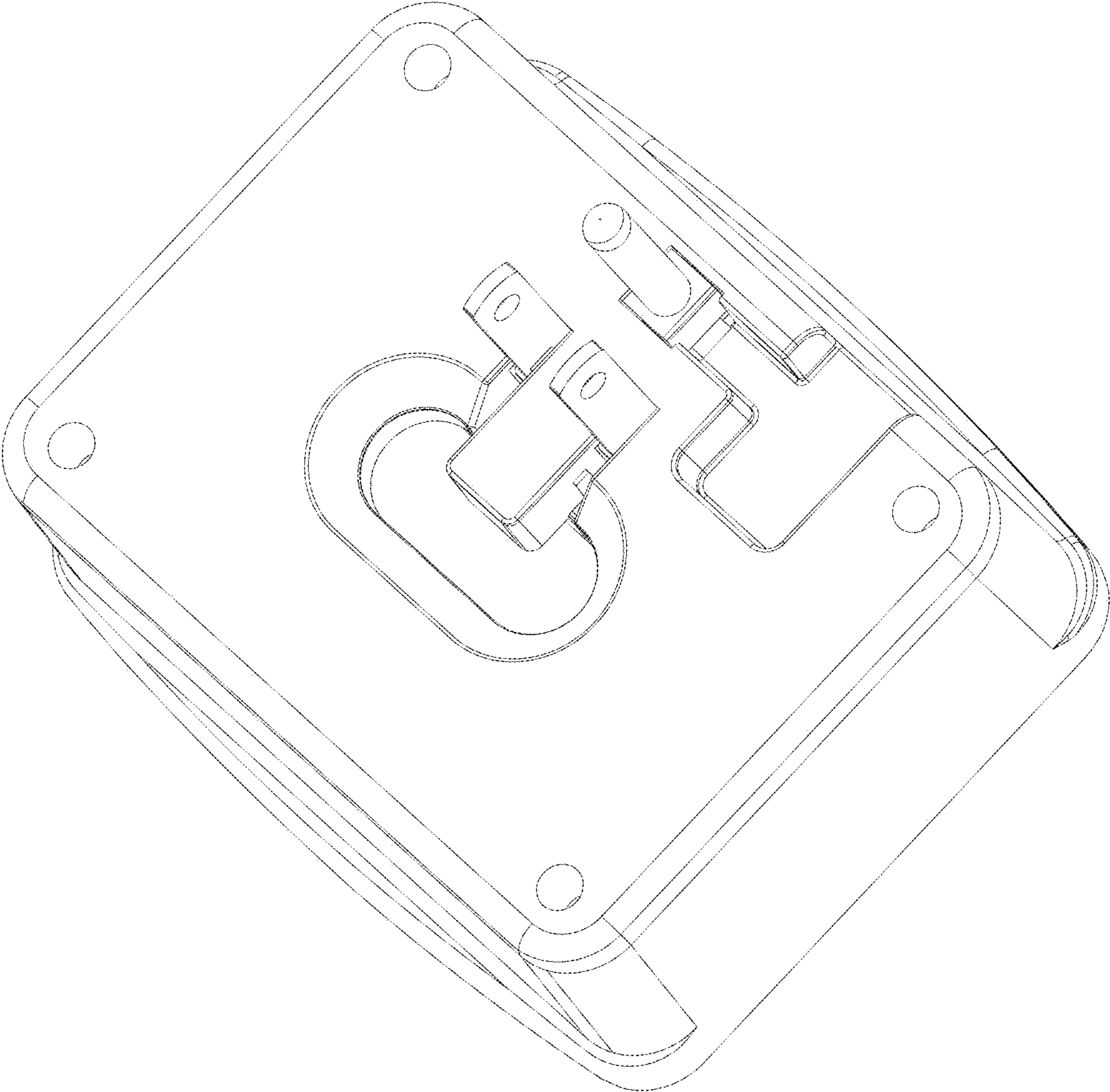


FIG. 2

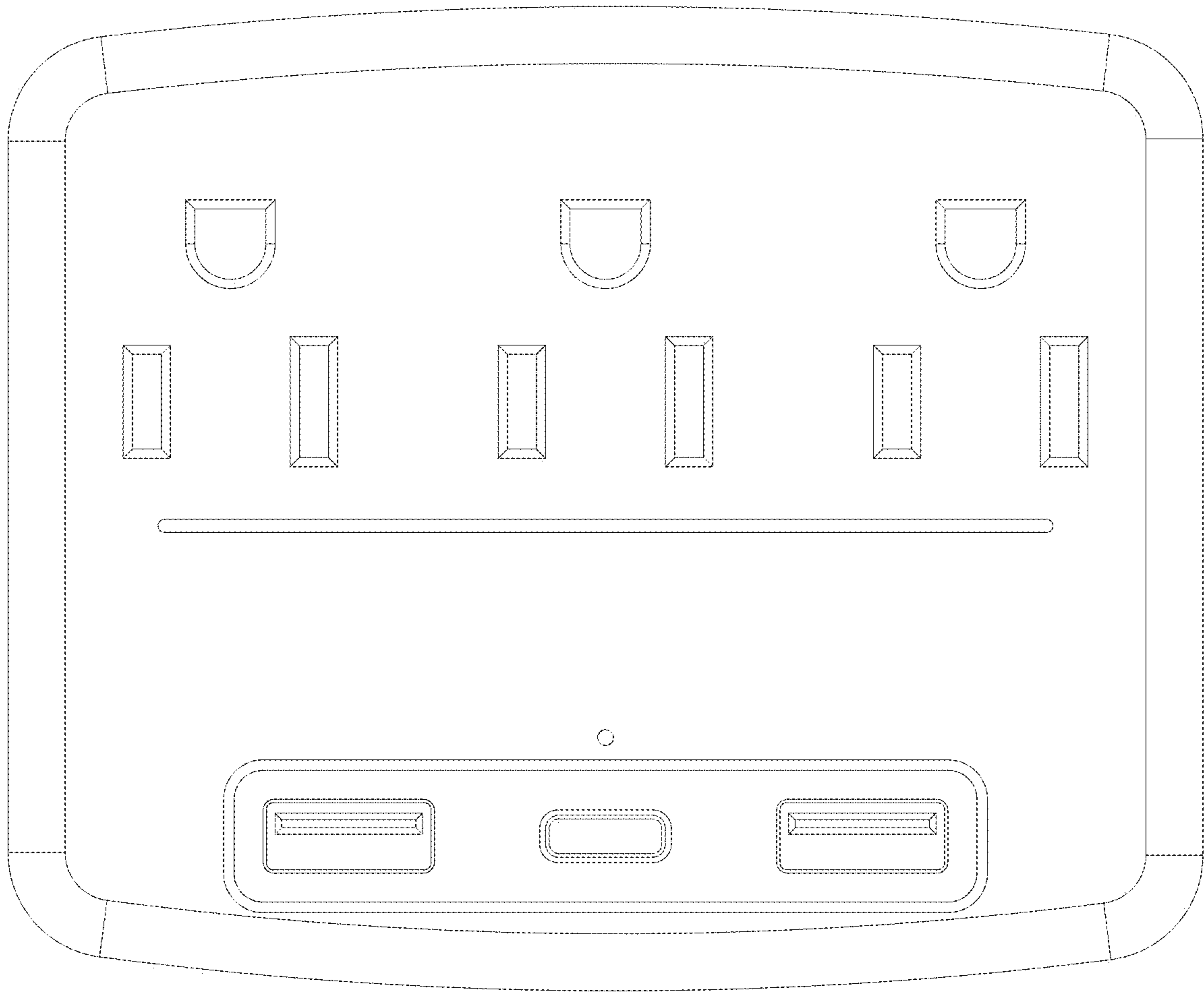


FIG. 3

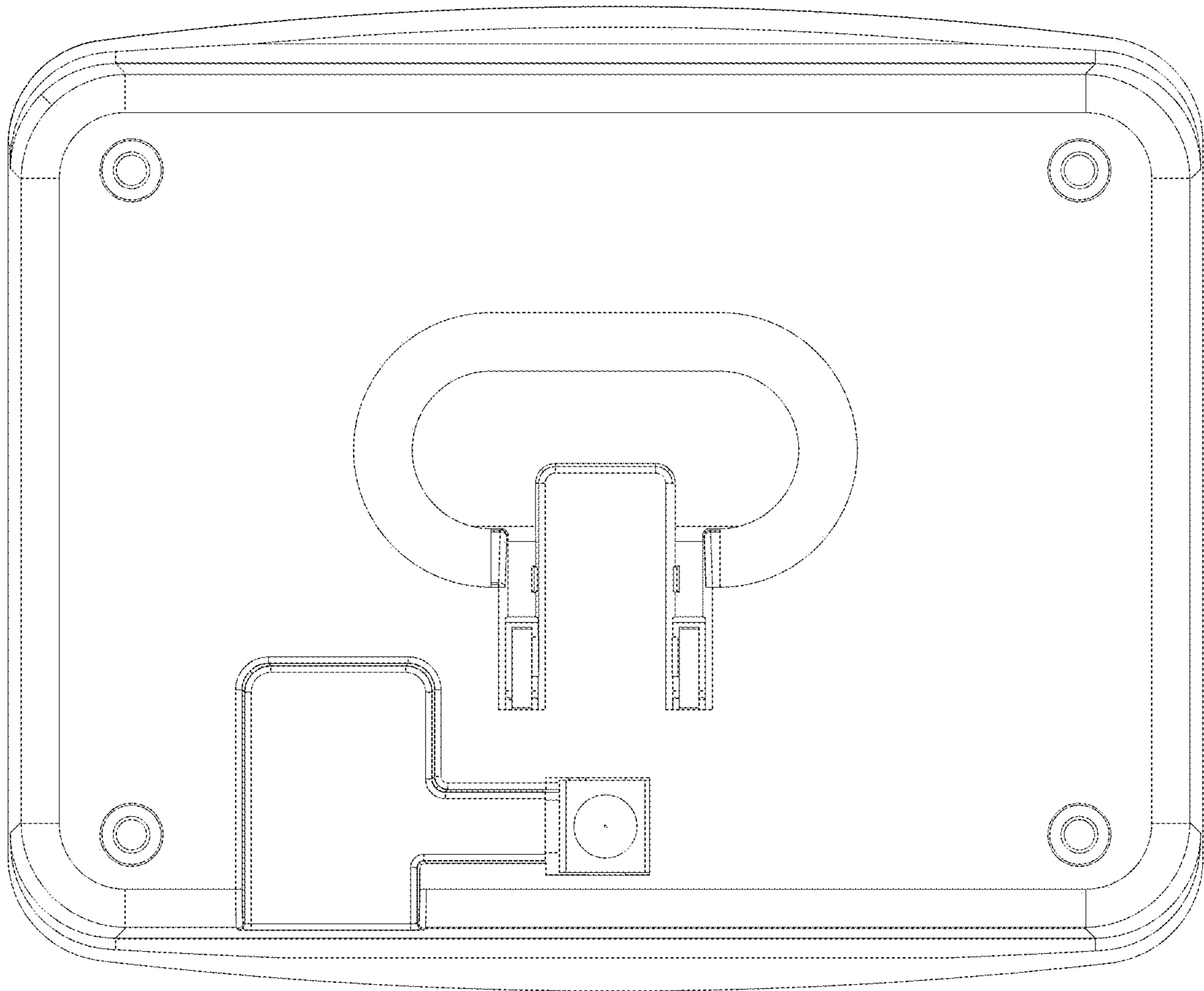


FIG. 4

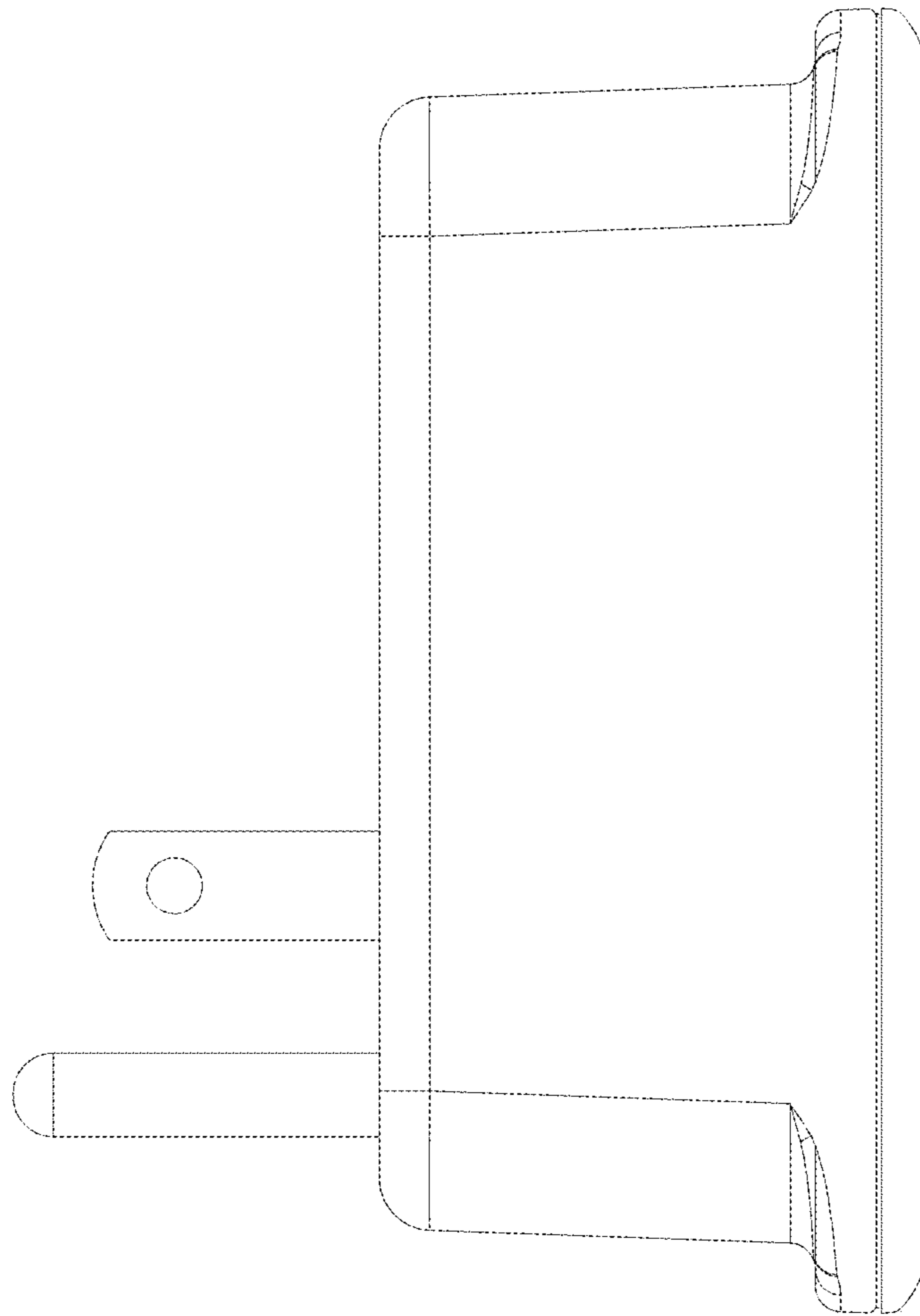


FIG. 5

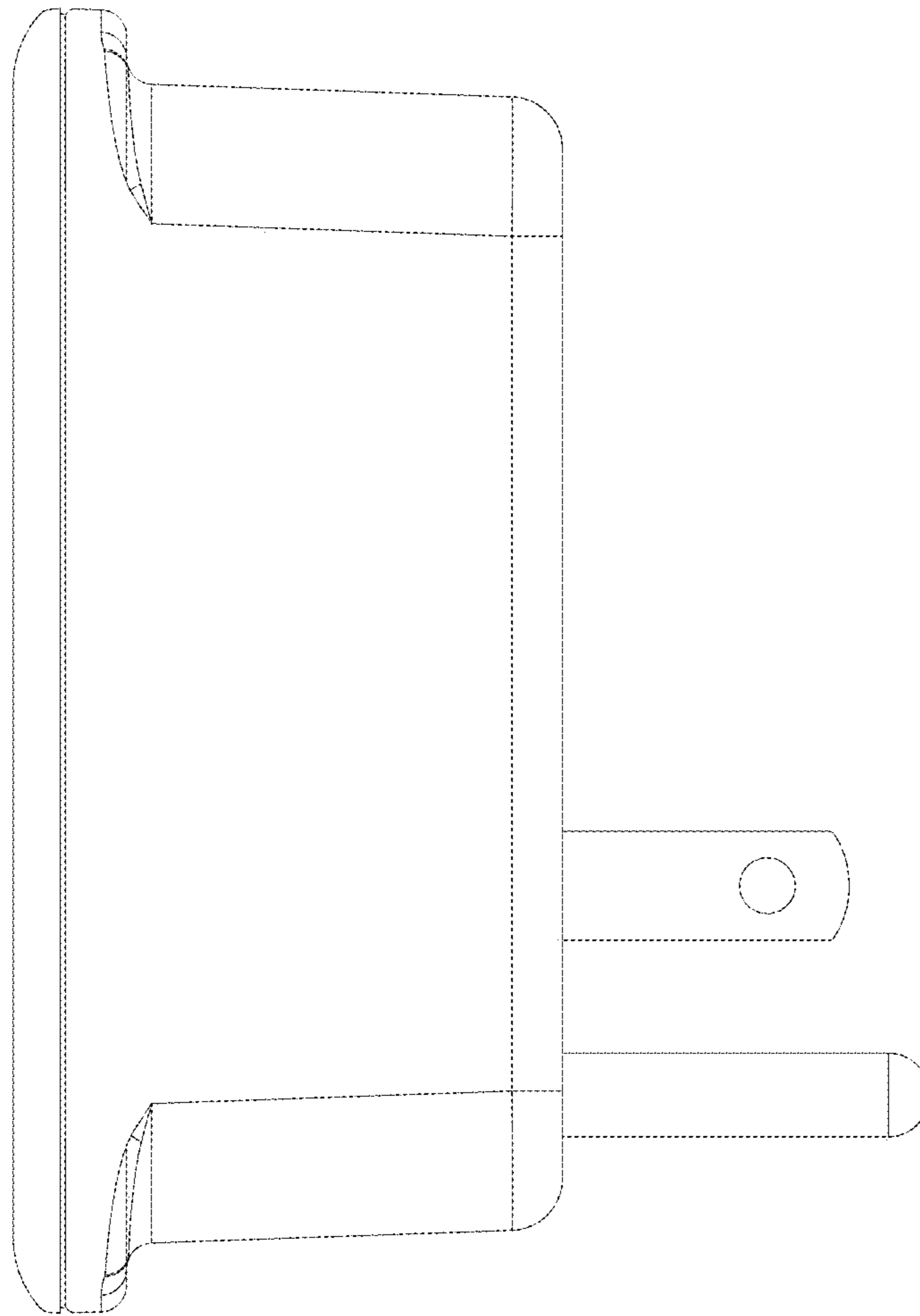


FIG. 6

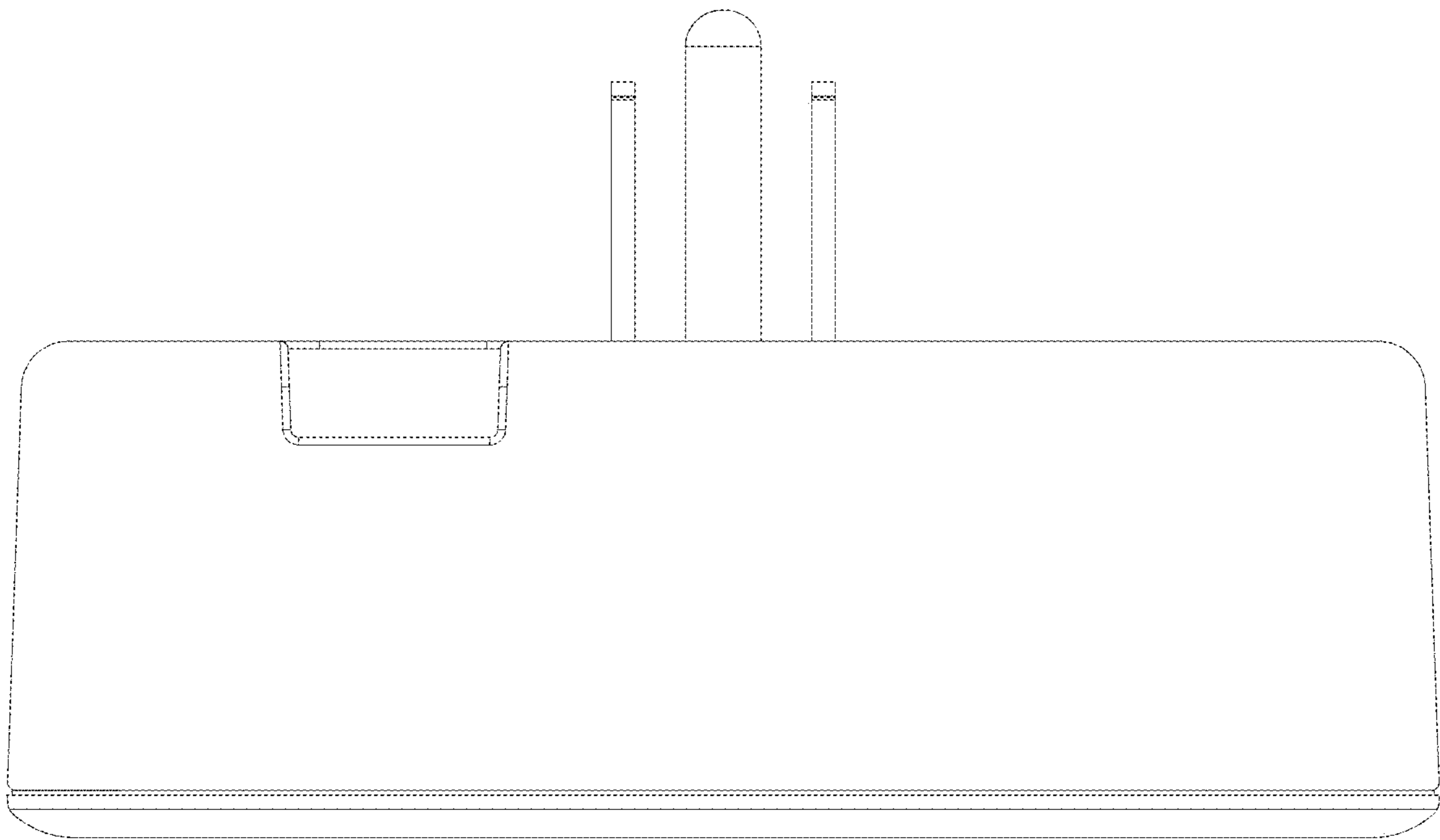


FIG. 7

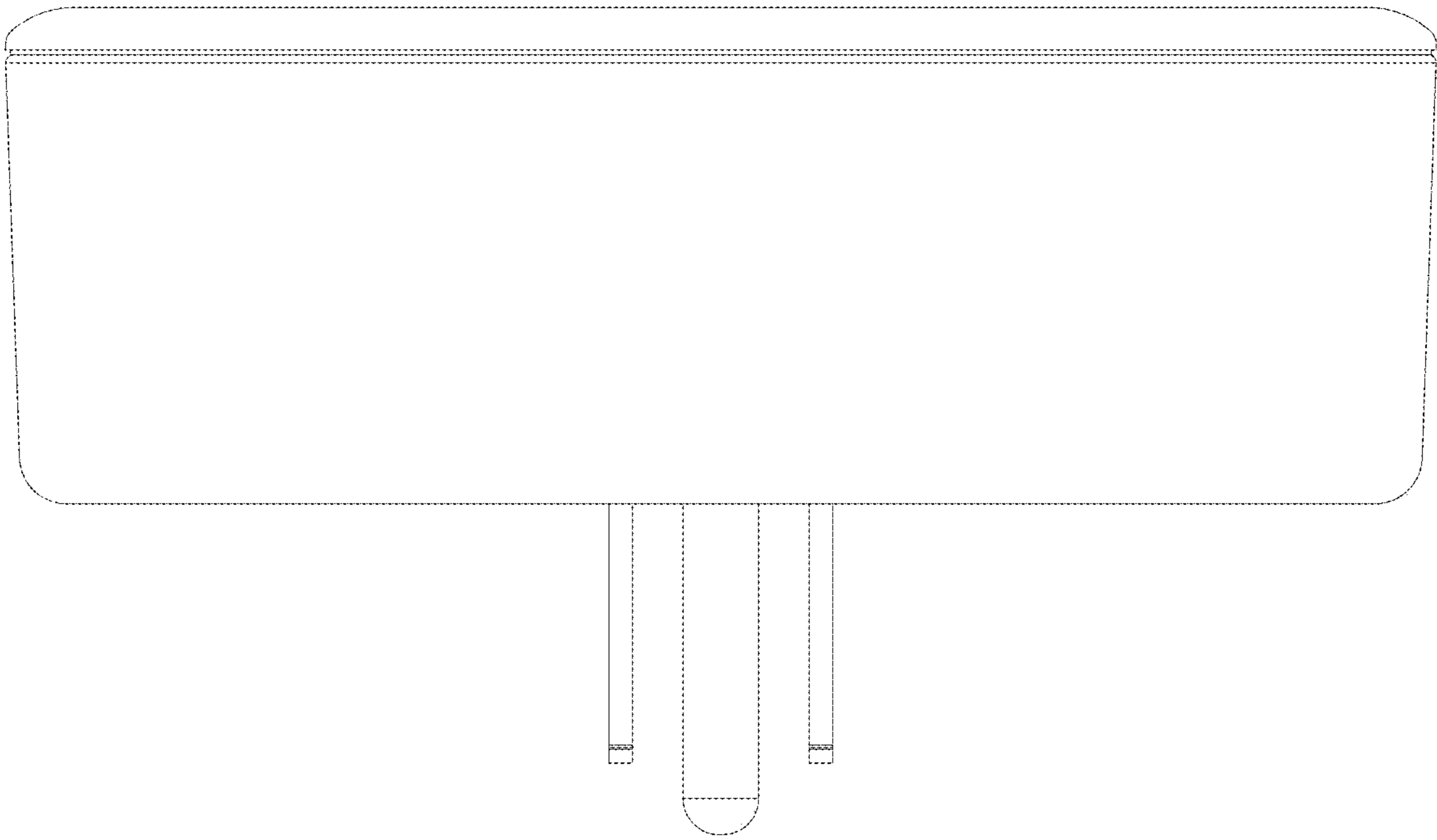


FIG. 8