



US00D975018S

(12) **United States Design Patent**
Mei

(10) **Patent No.:** **US D975,018 S**
(45) **Date of Patent:** **** Jan. 10, 2023**

(54) **POWER PLUG**

(71) Applicant: **Zhengguang Mei**, Yangzhou (CN)

(72) Inventor: **Zhengguang Mei**, Yangzhou (CN)

(**) Term: **15 Years**

(21) Appl. No.: **29/856,981**

(22) Filed: **Oct. 19, 2022**

(51) **LOC (14) Cl.** **13-03**

(52) **U.S. Cl.**
USPC **D13/137.1**

(58) **Field of Classification Search**
USPC ... D13/137.1–137.4, 138.2, 138.1, 110, 108,
D13/107, 139.7, 139.8
CPC H01R 33/94; H01R 31/06; H02J 7/0042
See application file for complete search history.

(56) **References Cited**

U.S. PATENT DOCUMENTS

D306,583 S *	3/1990	Krolopp	D14/137
5,613,863 A *	3/1997	Klaus	H01R 31/06
				D13/110
D429,829 S *	8/2000	Doran	D13/137.1
D618,833 S *	6/2010	Wei	D26/26
D646,640 S *	10/2011	Clymer	D13/160
D670,248 S	11/2012	Chen		
D705,736 S *	5/2014	Zaslavsky	D13/139.7
D734,253 S *	7/2015	Tinaphong	H01R 13/70
				D13/137.1
D763,794 S *	8/2016	Akana	D13/137.1
D776,064 S *	1/2017	Insalaco	H01R 31/06
				D13/137.4
D820,208 S *	6/2018	Lemelson	D13/110
D866,817 S *	11/2019	Markshausen	D26/26
D870,326 S *	12/2019	Chen	D26/26

D872,013 S *	1/2020	Lee	D13/108
D879,034 S *	3/2020	Wu	D13/137.2
D883,934 S *	5/2020	Yu	D13/139.8
D885,345 S *	5/2020	Chen	D13/139.8
D894,436 S *	8/2020	Wu	D26/26
D899,371 S *	10/2020	Kusano	D13/137.1
D908,092 S *	1/2021	Jiang	D13/137.4
D928,759 S *	8/2021	Siminoff	D14/242
D939,435 S *	12/2021	Feng	D13/107
D946,520 S *	3/2022	Spinella	D13/110
2003/0077930 A1 *	4/2003	Chu	H01R 13/4538
				439/140
2014/0182876 A1 *	7/2014	Trojanowski	H02G 3/14
				174/66

* cited by examiner

Primary Examiner — Rhea Shields

(74) *Attorney, Agent, or Firm* — ScienBiziP, P.C.

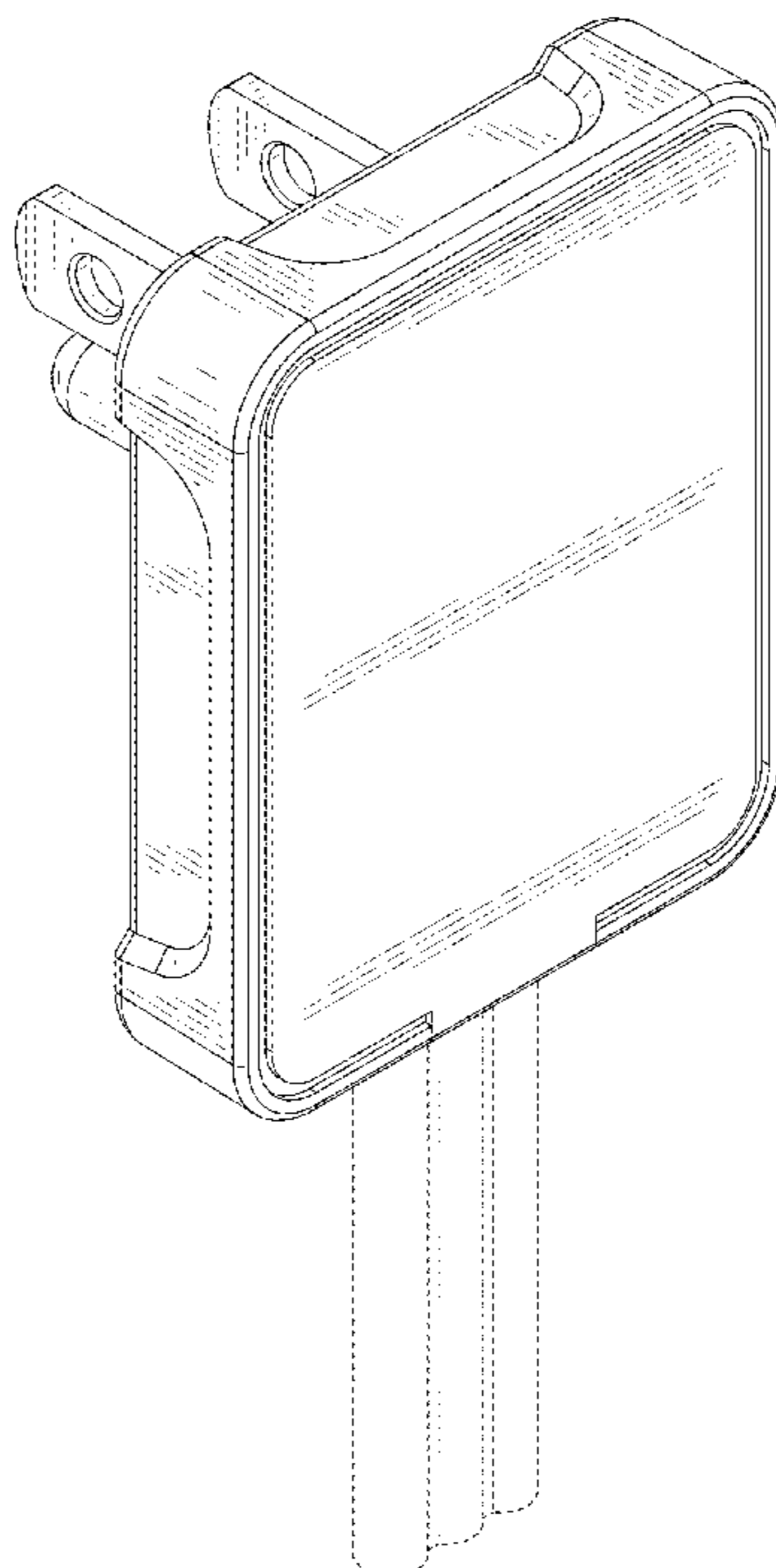
(57) **CLAIM**

The ornamental design for a power plug, as shown and described.

DESCRIPTION

FIG. 1 is a front, left and top perspective view of a power plug, showing my design.
FIG. 2 is a rear, right and bottom perspective view thereof.
FIG. 3 is a front elevation view thereof.
FIG. 4 is a rear elevation view thereof.
FIG. 5 is a left side elevation view thereof.
FIG. 6 is a right side elevation view thereof.
FIG. 7 is a top plan view thereof; and,
FIG. 8 is a bottom plan view thereof.
The broken lines depict environmental structure and form no part of the claimed design.

1 Claim, 8 Drawing Sheets



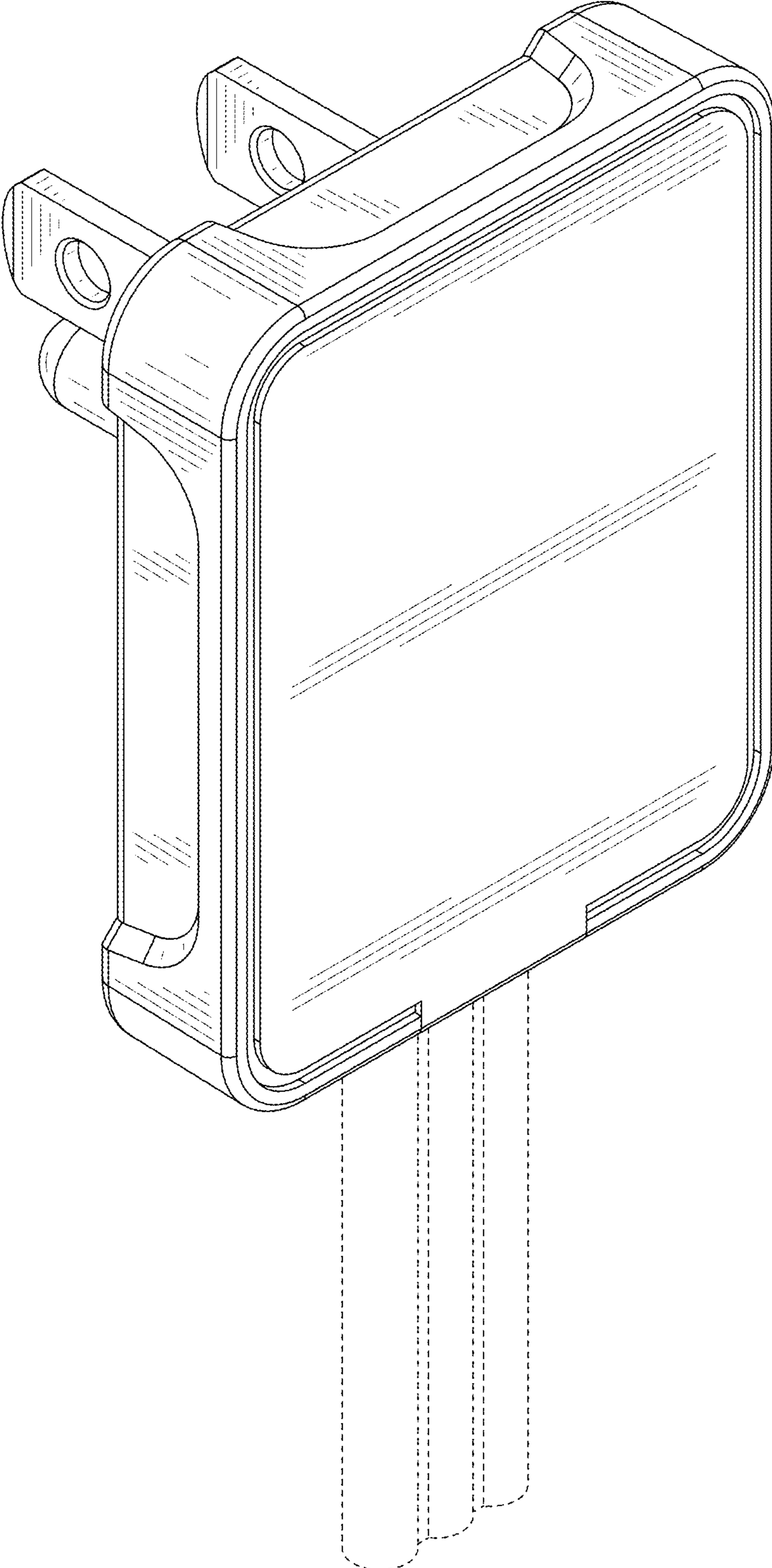


FIG. 1

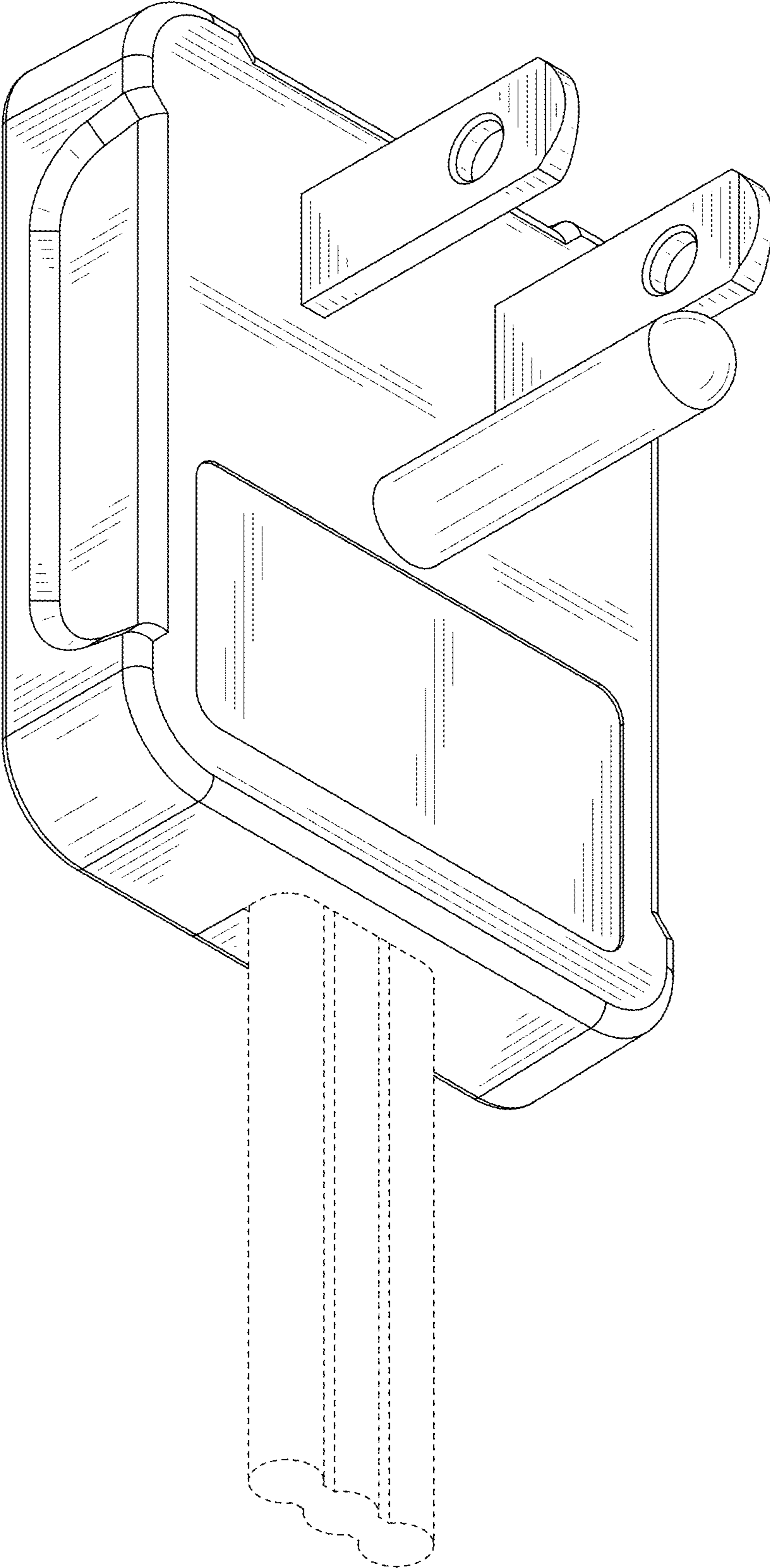


FIG. 2

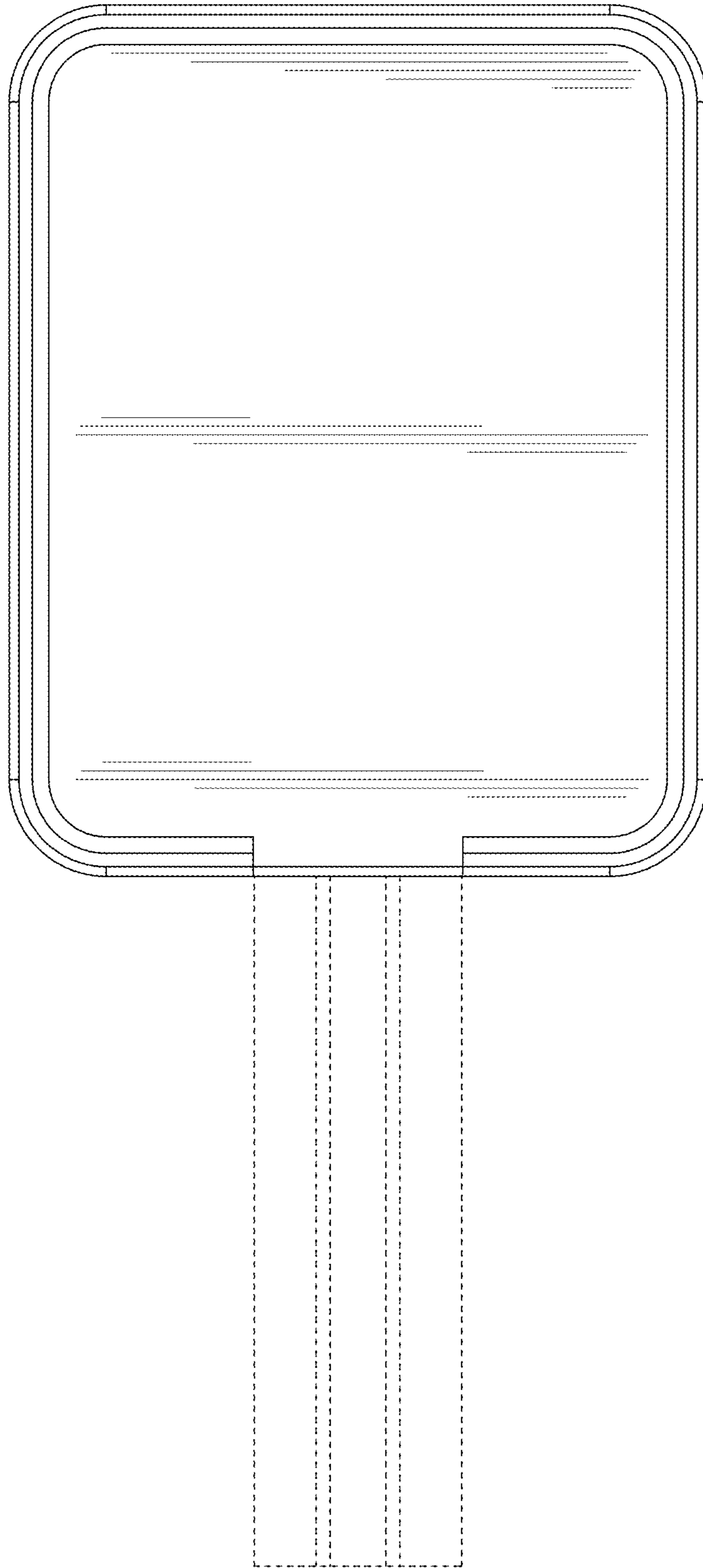


FIG. 3

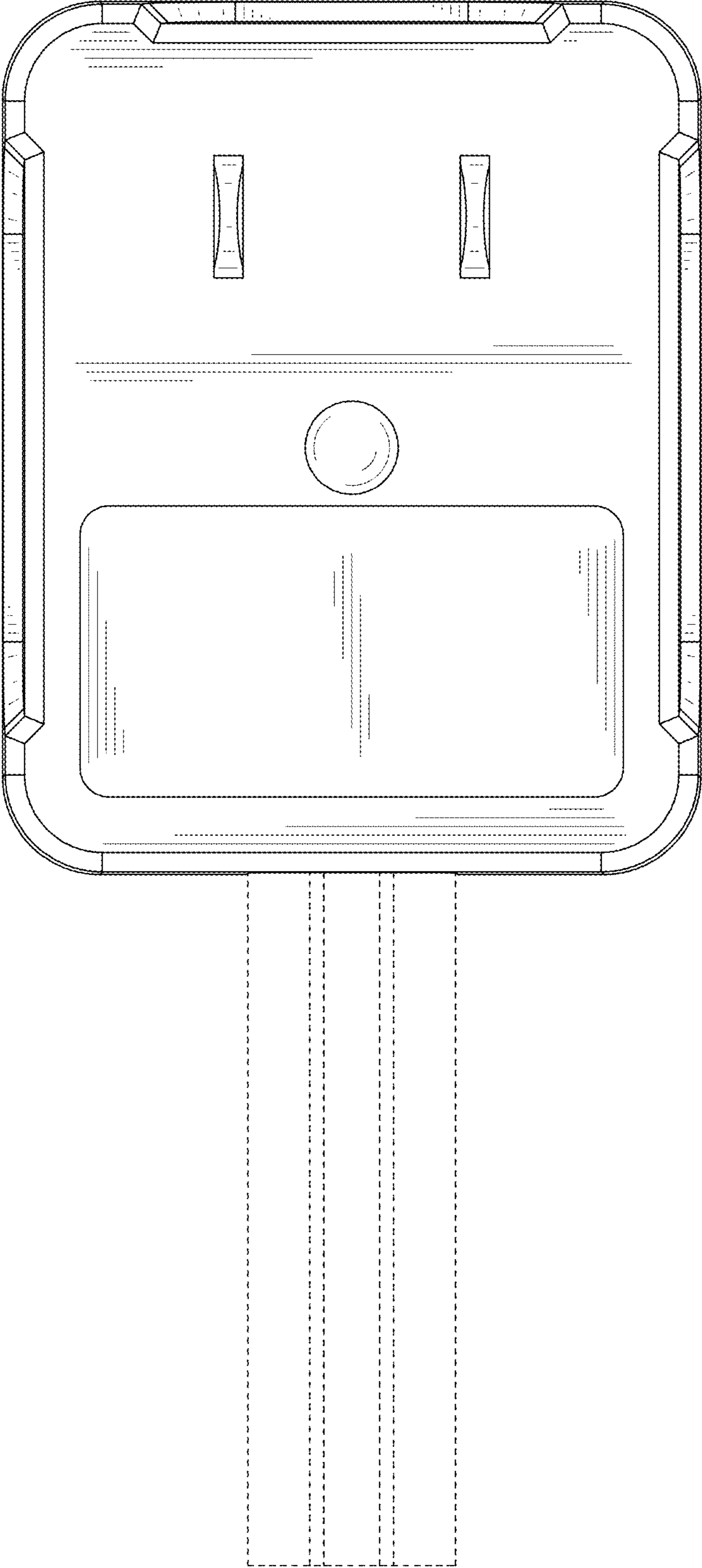


FIG. 4

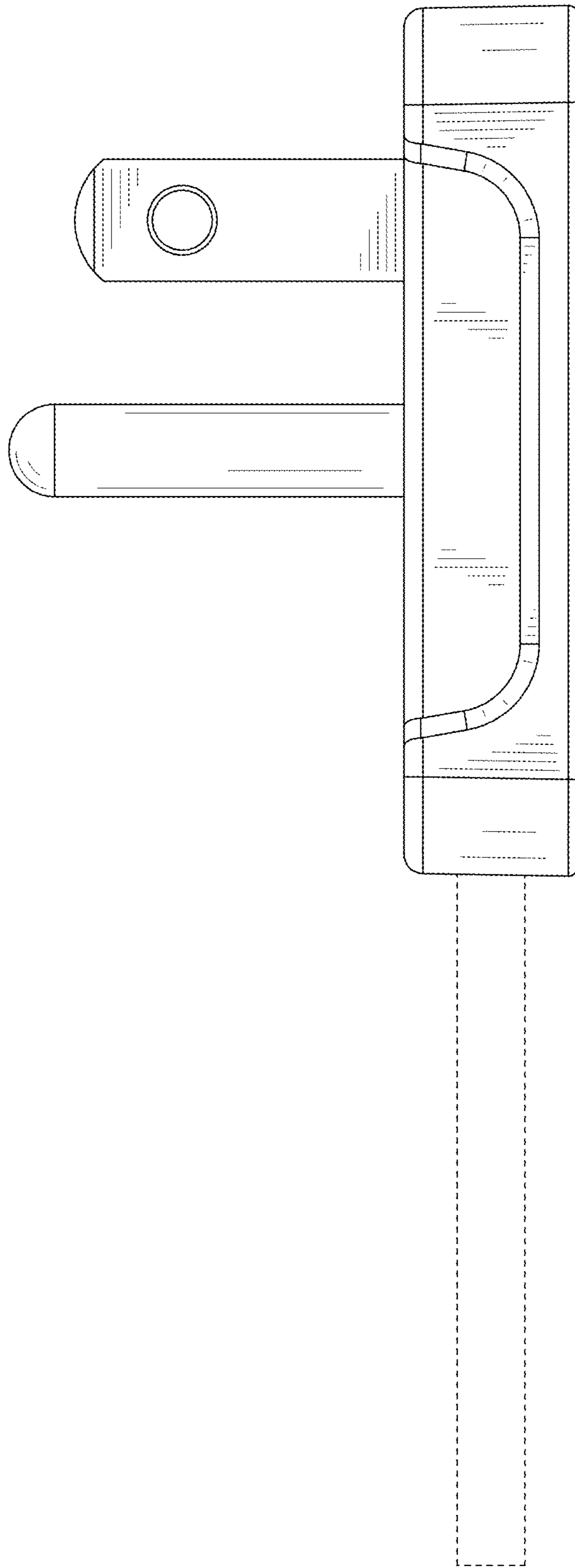


FIG. 5

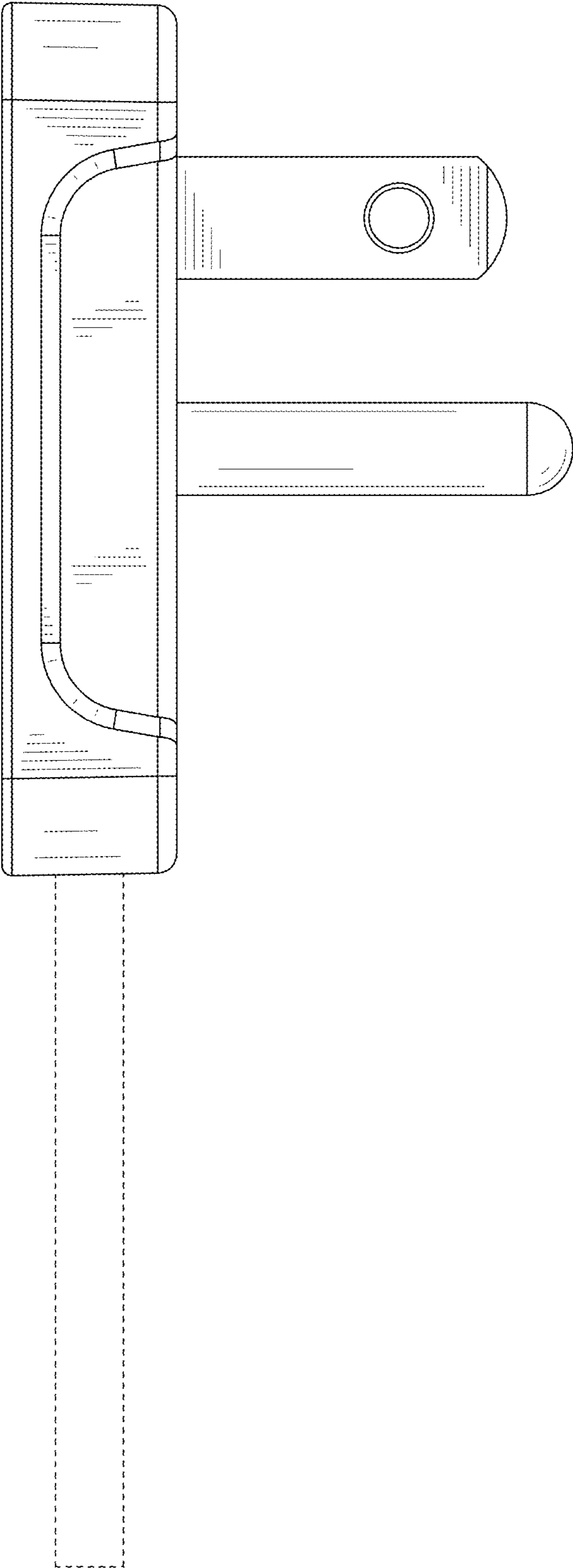


FIG. 6

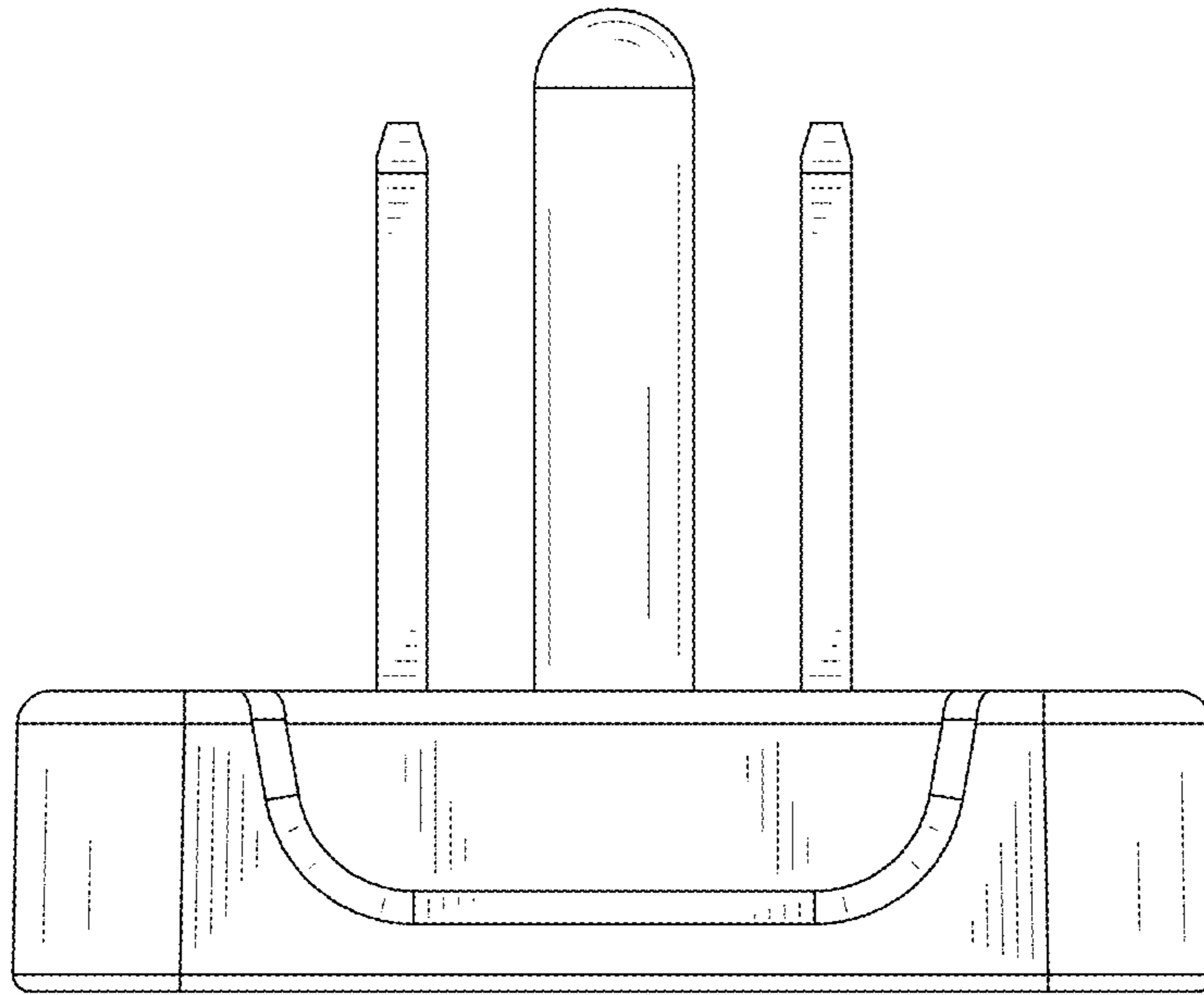


FIG. 7

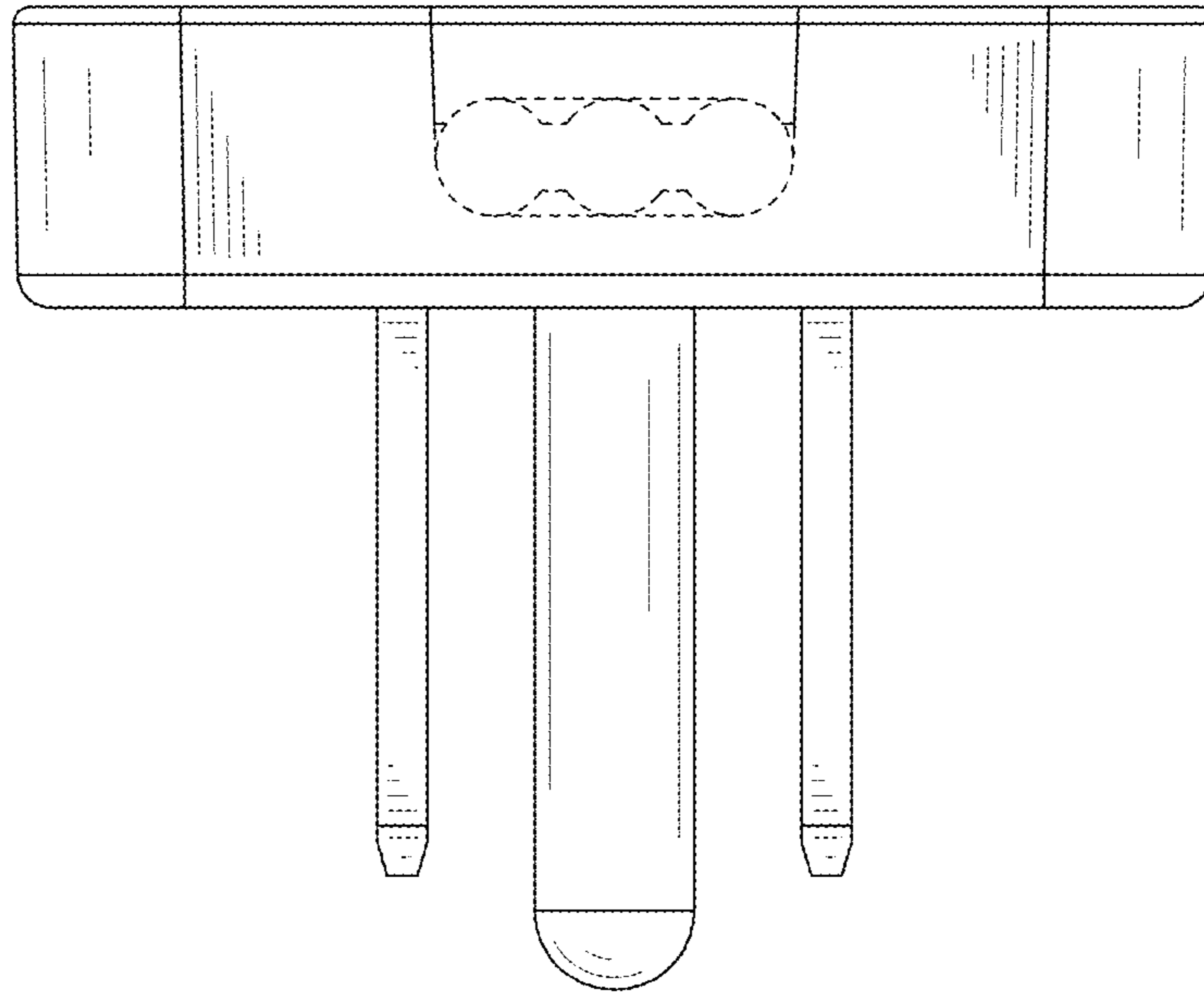


FIG. 8