



US00D975017S

(12) **United States Design Patent**
Wang et al.

(10) **Patent No.:** **US D975,017 S**
(45) **Date of Patent:** **** Jan. 10, 2023**

(54) **COIL COMPONENT**

(71) Applicant: **TDK CORPORATION**, Tokyo (JP)

(72) Inventors: **Chen Wang**, Tokyo (JP); **Satoshi Sugimoto**, Tokyo (JP)

(73) Assignee: **TDK CORPORATION**, Tokyo (JP)

(**) Term: **15 Years**

(21) Appl. No.: **29/722,911**

(22) Filed: **Feb. 3, 2020**

(30) **Foreign Application Priority Data**

Aug. 1, 2019 (JP) 2019-017248

(51) **LOC (14) Cl.** **13-02**

(52) **U.S. Cl.**
USPC **D13/117**

(58) **Field of Classification Search**

USPC D13/117, 101, 110, 118, 133, 179, 183,
D13/199; D15/5, 199

CPC . H01F 5/02; H01F 5/04; H01F 27/022; H01F
27/29; H01F 27/292; H01F 27/325; H01F
27/2847; H01F 41/061; H01F 41/10;
Y10T 29/4902; Y10T 29/49069; Y10T
29/49071; Y10T 29/49073

See application file for complete search history.

(56) **References Cited**

U.S. PATENT DOCUMENTS

D421,595 S * 3/2000 Davis D13/117
D586,745 S * 2/2009 Shibata D13/117

D693,302 S * 11/2013 Yamada D13/117
9,275,787 B2 * 3/2016 Yan H01F 17/04
D779,430 S * 2/2017 Hayashizaka D13/117
2004/0017276 A1 * 1/2004 Chen H01F 27/027
336/192
2015/0170820 A1 * 6/2015 Kadir H01F 27/306
29/606

* cited by examiner

Primary Examiner — Derrick E Holland

(74) *Attorney, Agent, or Firm* — Oliff PLC

(57) **CLAIM**

The ornamental design for a coil component, as shown and described.

DESCRIPTION

FIG. 1 is a front elevational view of a coil component;
FIG. 2 is a rear elevational view thereof;
FIG. 3 is a left-side elevational view thereof;
FIG. 4 is a right-side elevational view thereof;
FIG. 5 is a top plan view thereof;
FIG. 6 is a bottom plan view thereof;
FIG. 7 is a front, left-side, top perspective view thereof; and,
FIG. 8 is a front, left-side, bottom perspective view thereof.
The broken lines depict parts of the coil component that form no part of the claimed design.

1 Claim, 8 Drawing Sheets

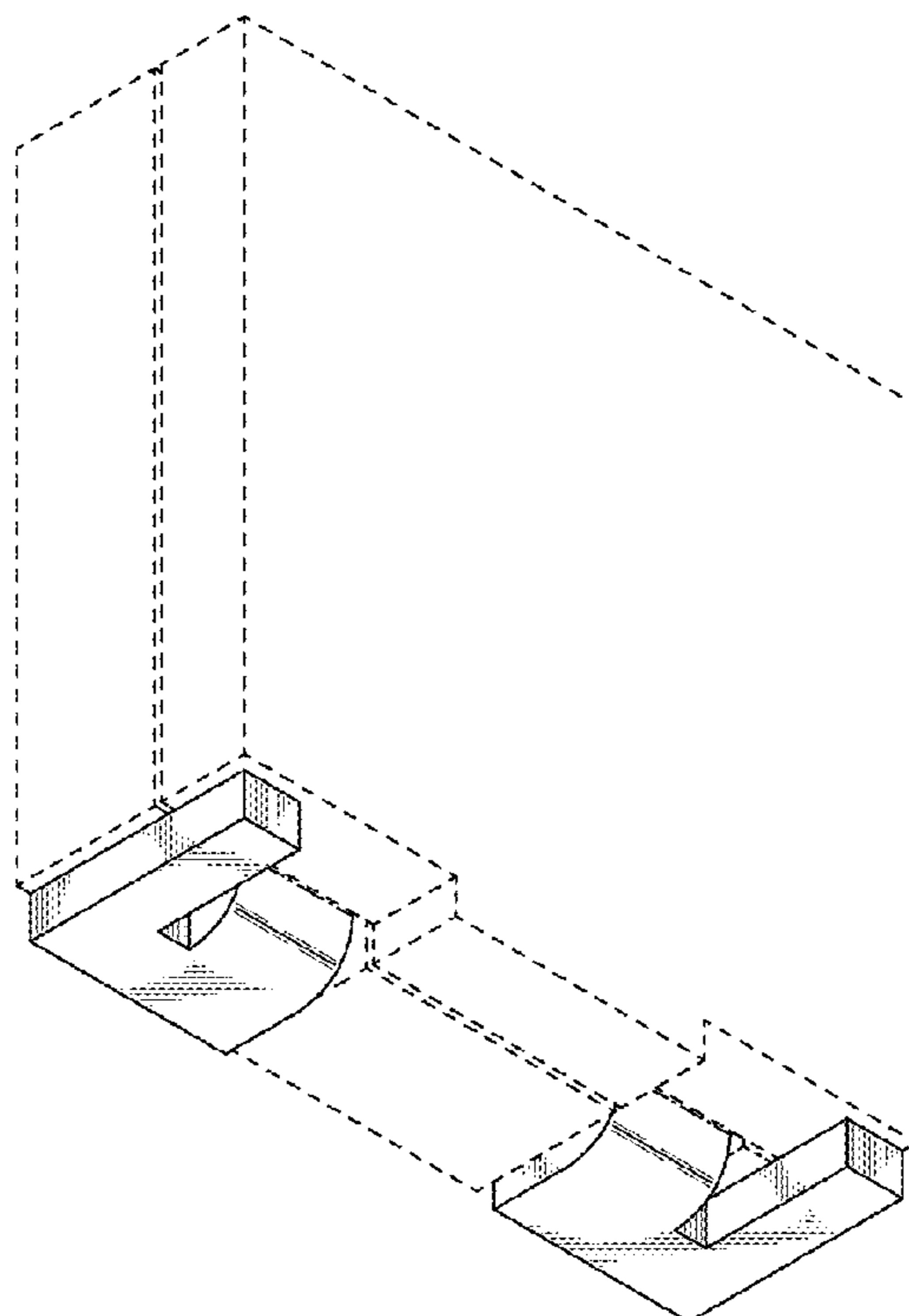


FIG. 1

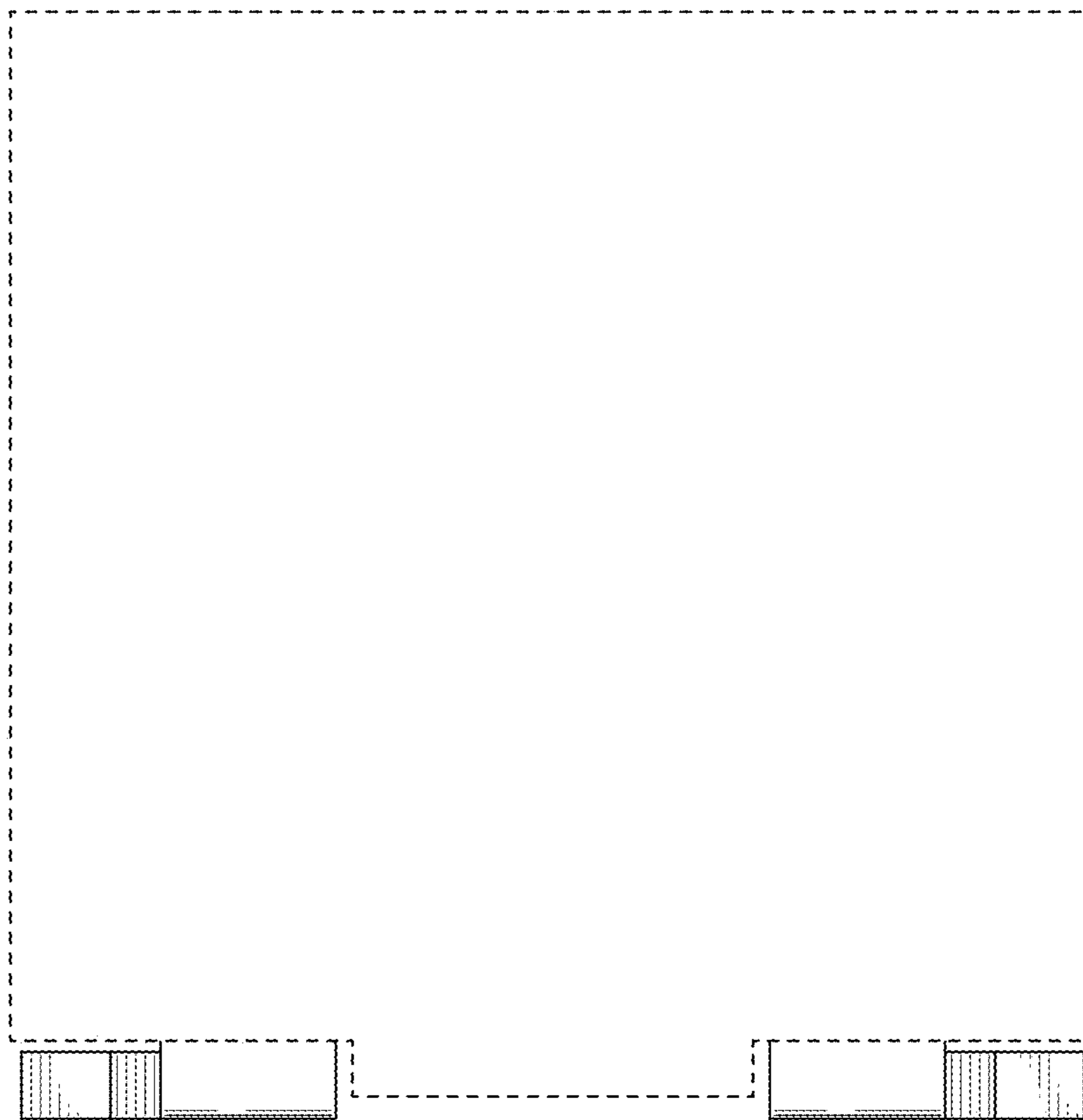


FIG. 2

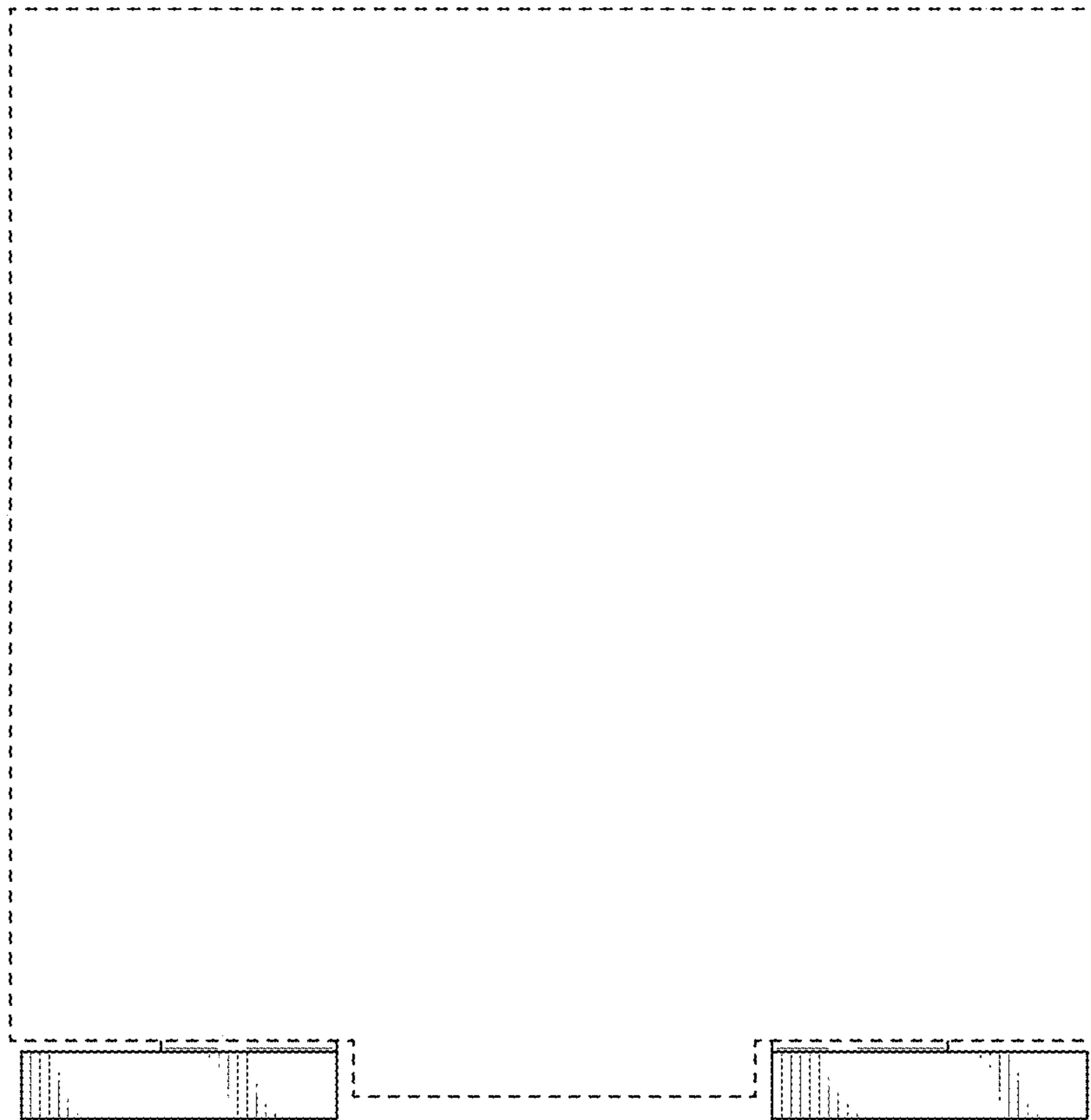


FIG. 3

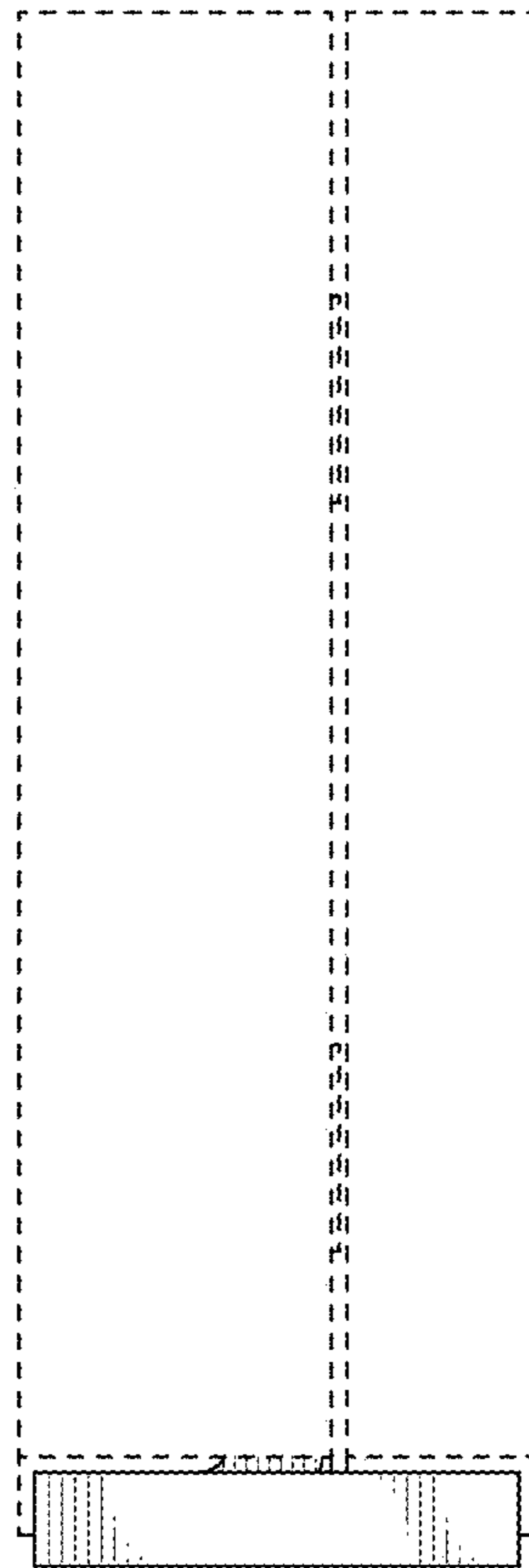


FIG. 4

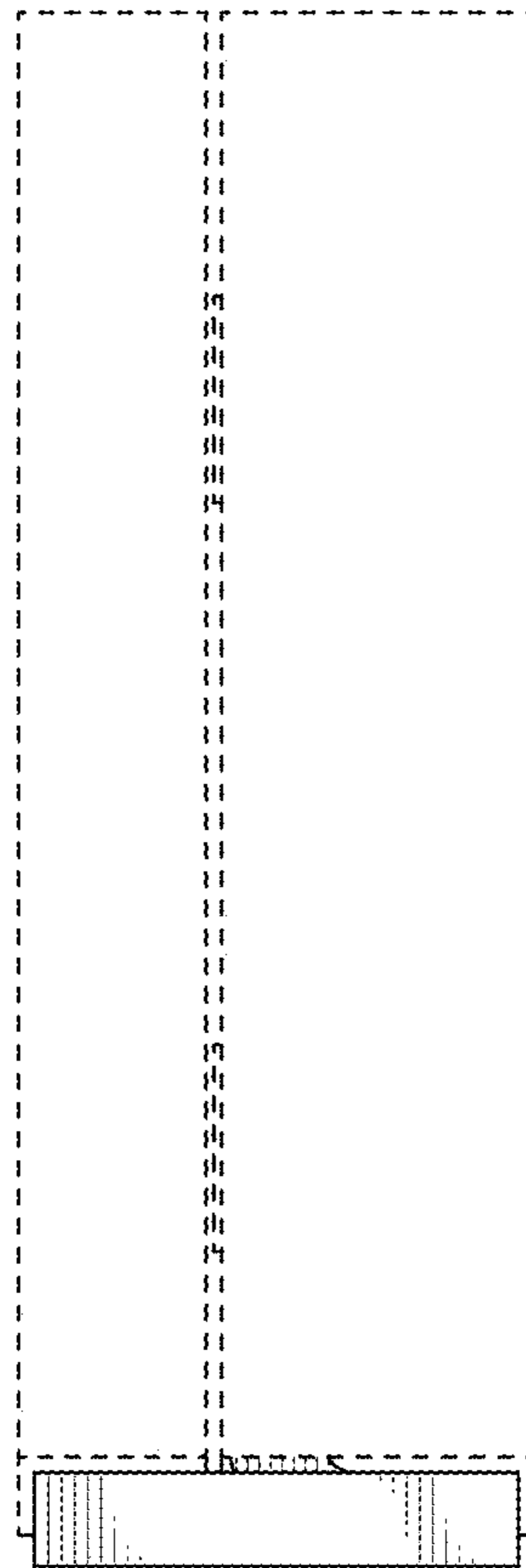


FIG. 5

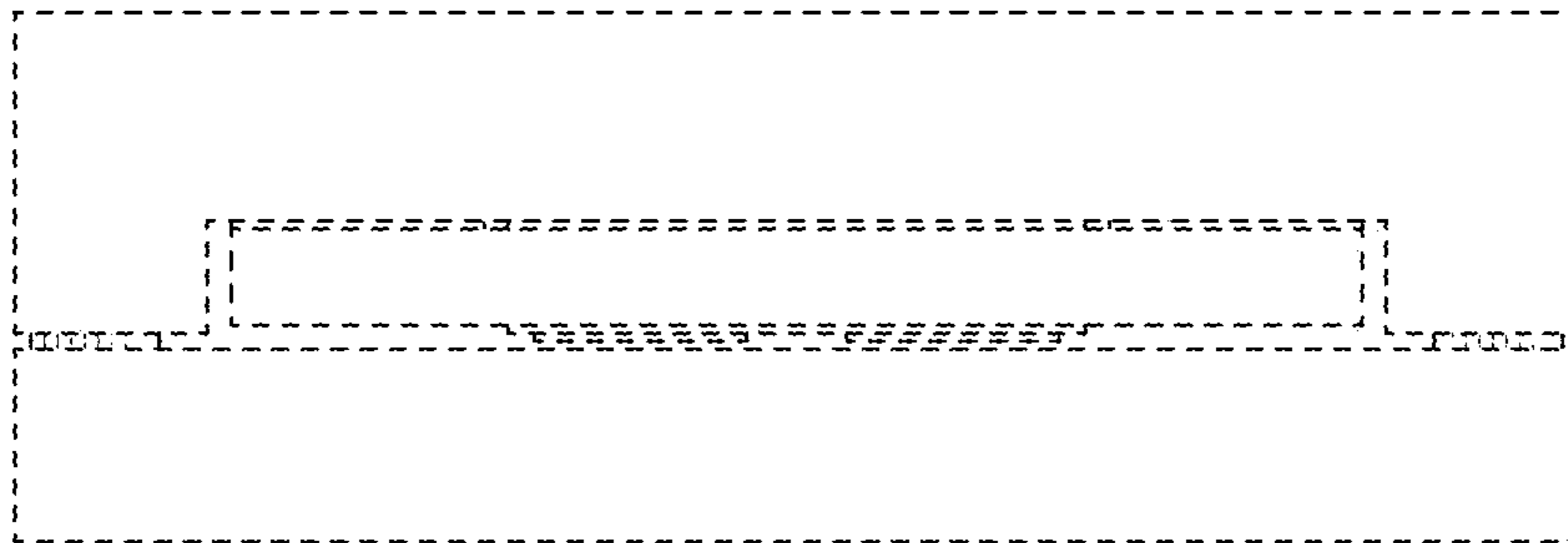


FIG. 6

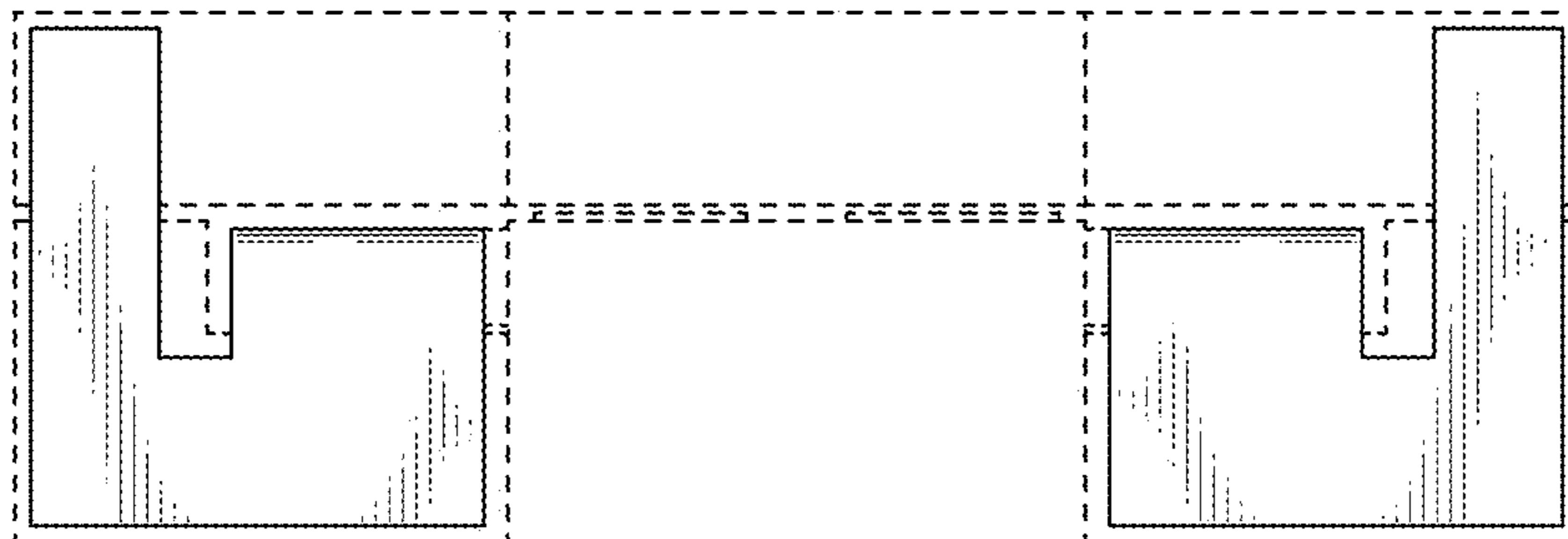


FIG. 7

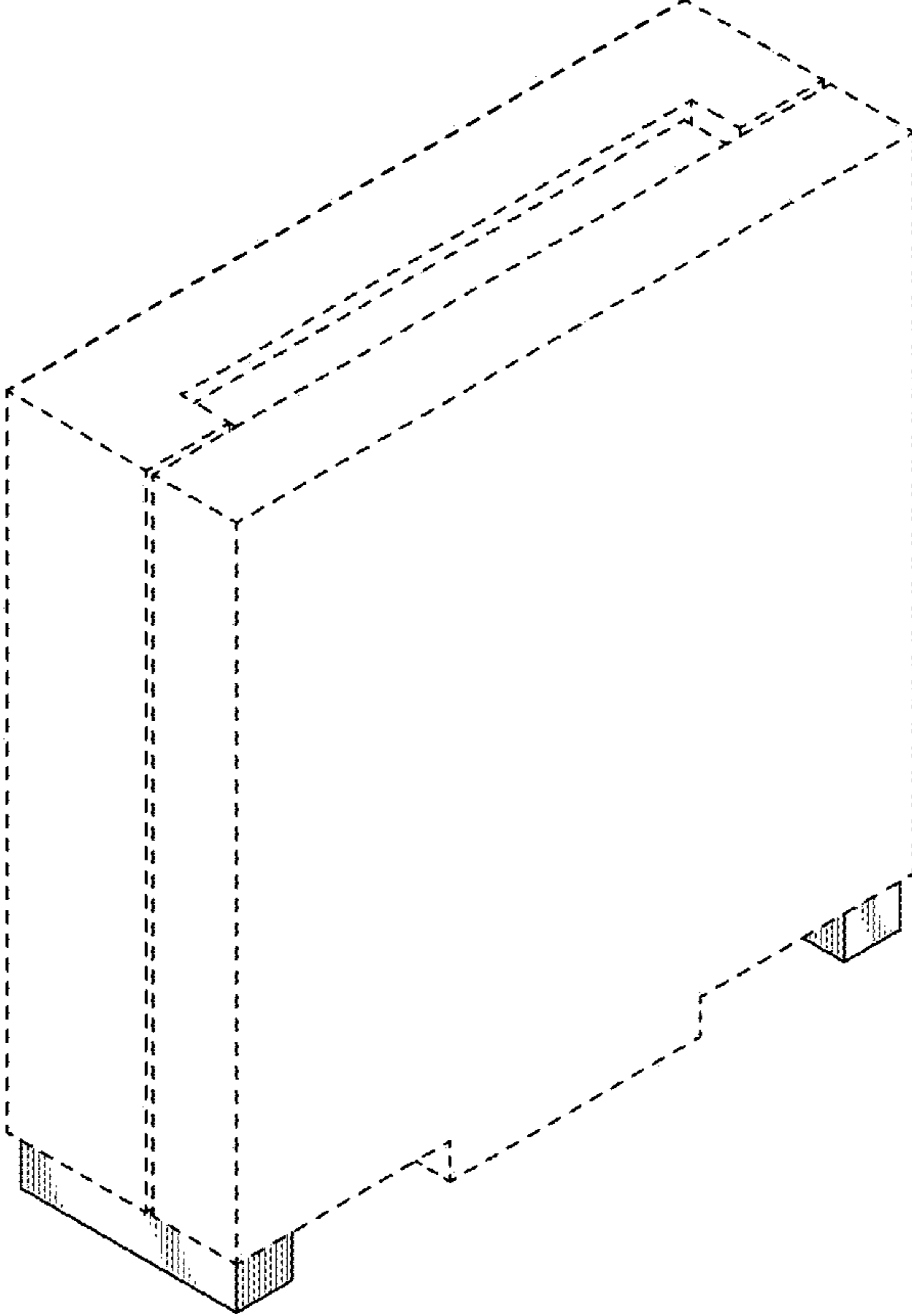


FIG. 8

