



US00D975012S

(12) **United States Design Patent**  
**Chen et al.**

(10) **Patent No.:** **US D975,012 S**  
(45) **Date of Patent:** **\*\* Jan. 10, 2023**

(54) **MAGNETIC WIRELESS CHARGER FOR CAR**

(71) Applicants: **Wen Chen**, Guangzhou (CN); **Feng Yu**, Guangzhou (CN)

(72) Inventors: **Wen Chen**, Guangzhou (CN); **Feng Yu**, Guangzhou (CN)

(\*\*) Term: **15 Years**

(21) Appl. No.: **29/786,420**

(22) Filed: **Jun. 1, 2021**

(30) **Foreign Application Priority Data**

Dec. 3, 2020 (CN) ..... 202030742914.1

(51) **LOC (14) Cl.** ..... **13-02**

(52) **U.S. Cl.**  
USPC ..... **D13/108**

(58) **Field of Classification Search**  
USPC ..... D13/107-108, 110, 118-119, 184, 199;  
D14/251, 253, 432, 434, 447  
CPC .. H02J 7/025; H02J 7/005; H02J 50/00; H02J  
50/10; H02J 50/12; H02J 50/80; H02J  
7/02; H02J 7/0026; H02J 7/0042; H02J  
7/0044; H02J 7/0045; H02J 7/0013; H02J  
7/0003

See application file for complete search history.

(56) **References Cited**

**U.S. PATENT DOCUMENTS**

D682,199 S *	5/2013	Rautiainen	.....	D13/108
D682,200 S *	5/2013	Rautiainen	.....	D13/108
D750,612 S *	3/2016	Chen	.....	D14/447
D784,923 S *	4/2017	Song	.....	D13/108
D792,416 S *	7/2017	Tsai	.....	D14/447
D804,413 S *	12/2017	McSweyn	.....	D13/108
D831,661 S *	10/2018	Yao	.....	D14/447
D849,012 S *	5/2019	Yao	.....	D14/447
D872,014 S *	1/2020	Zhang	.....	D13/108

D873,272 S *	1/2020	Dang	.....	D14/447
D877,741 S *	3/2020	Leeds-Frank	.....	D14/447
D877,742 S *	3/2020	Yao	.....	D14/447
D884,617 S *	5/2020	Matsuoka	.....	D13/108
D886,734 S *	6/2020	Andersson	.....	D13/108
D887,417 S *	6/2020	Yarbough	.....	D14/447
D888,661 S *	6/2020	Yoon	.....	D13/108
D893,415 S *	8/2020	McSweyn	.....	D12/415
D894,829 S *	9/2020	Zhang	.....	D13/108
D895,544 S *	9/2020	Zhao	.....	D13/108
D896,177 S *	9/2020	Zheng	.....	D13/108
D898,666 S *	10/2020	Alves	.....	D13/108
D903,587 S *	12/2020	Jianting	.....	D13/108
D904,297 S *	12/2020	Zhao	.....	D13/108
D931,204 S *	9/2021	Liao	.....	D13/108

(Continued)

**OTHER PUBLICATIONS**

“Belkin MagSafe Car Vent Mount PRO Phone Holder for iPhone 13, 12, Pro, Pro Max, Mini”, Amazon.com, first available on Mar. 17, 2021. Retrieved from the internet: <<https://www.amazon.com/dp/B08LQVD6ZR/>>. (Year: 2021).\*

(Continued)

*Primary Examiner* — Rosemary K Tarcza  
(74) *Attorney, Agent, or Firm* — Leong C. Lei

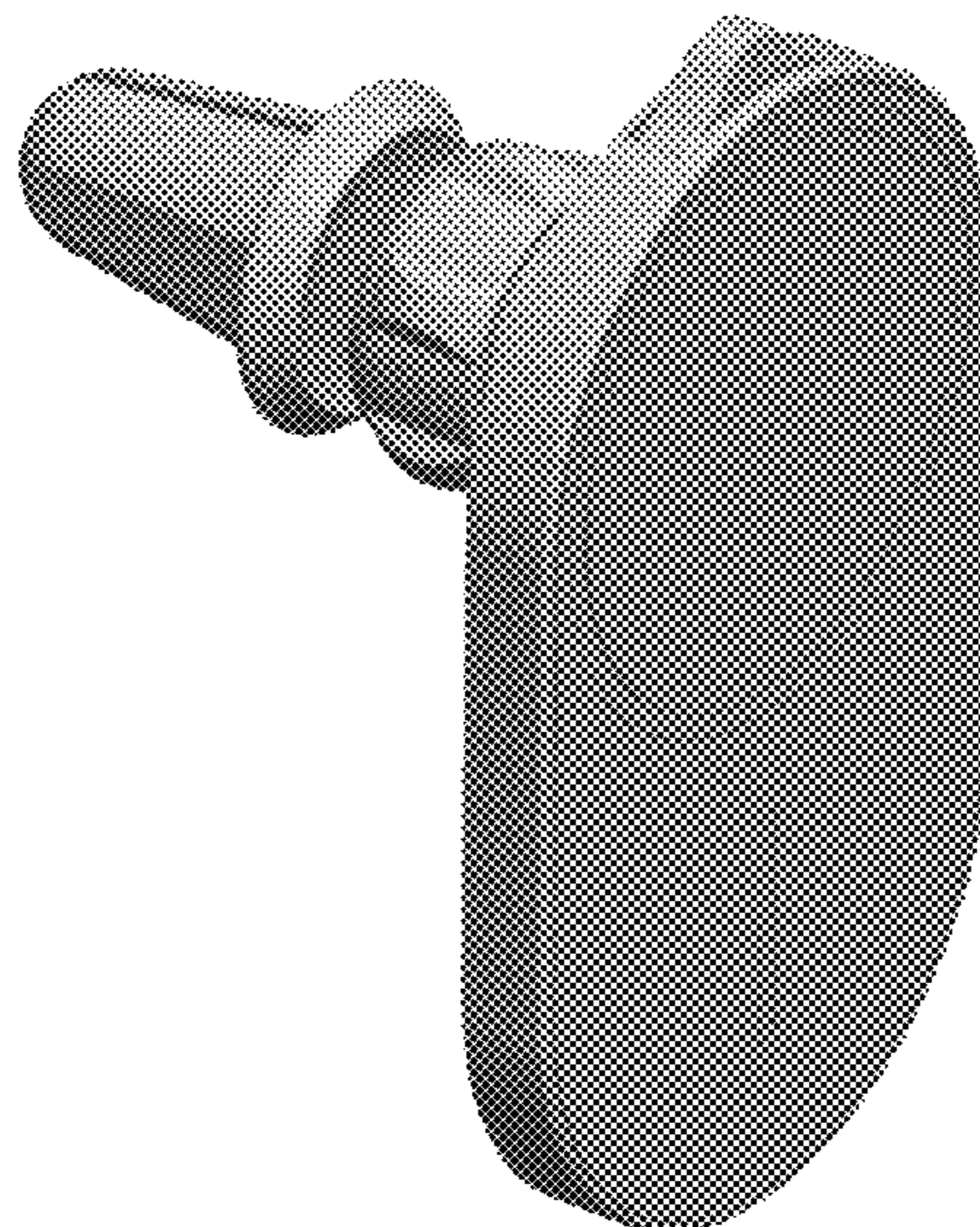
(57) **CLAIM**

The ornamental design for a magnetic wireless charger for car, as shown and described.

**DESCRIPTION**

FIG. 1 is a perspective view of a magnetic wireless charger for car showing my present design;  
FIG. 2 is a front view thereof;  
FIG. 3 is a rear view thereof;  
FIG. 4 is a left side view thereof;  
FIG. 5 a right side view thereof;  
FIG. 6 is a top view thereof; and,  
FIG. 7 is a bottom view thereof.

**1 Claim, 7 Drawing Sheets**



(56)

**References Cited**

## U.S. PATENT DOCUMENTS

D936,575 S \* 11/2021 Feng ..... D13/108  
D942,382 S \* 2/2022 Alves ..... D13/108  
D948,430 S \* 4/2022 Zhou ..... D7/367  
D953,259 S \* 5/2022 Choi ..... D13/108  
D960,091 S \* 8/2022 Cheng ..... D13/108  
2021/0126493 A1 \* 4/2021 Cai ..... H02J 7/0042  
2021/0281088 A1 \* 9/2021 Feng ..... H02J 7/0042  
2022/0006322 A1 \* 1/2022 Chen ..... H02J 50/005  
2022/0166256 A1 \* 5/2022 Chen ..... H02J 50/12

## OTHER PUBLICATIONS

“Scosche MAGVM2B MagicMount Magnetic Car Phone Holder Mount—360 Degree Adjustable Head, Universal with All Devices—Air Vent Mount”, Amazon.com, first available on Mar. 31, 2015. Retrieved from the internet: <<https://www.amazon.com/dp/B00WO9LXFQ/>>. (Year: 2015).\*

“2 Pack Magnetic Phone Car Mount, APPS2Car Car Phone Holder Mount Magnetic, Built in 6 Strong Magnets, Air Vent Cell Phone Holder for Car with Adjustable Secure Tightening System”, Amazon.com, first available on Mar. 28, 2019. Retrieved from the internet: <<https://www.amazon.com/dp/B07Q3BN8WN/>>. (Year: 2019).\*

\* cited by examiner

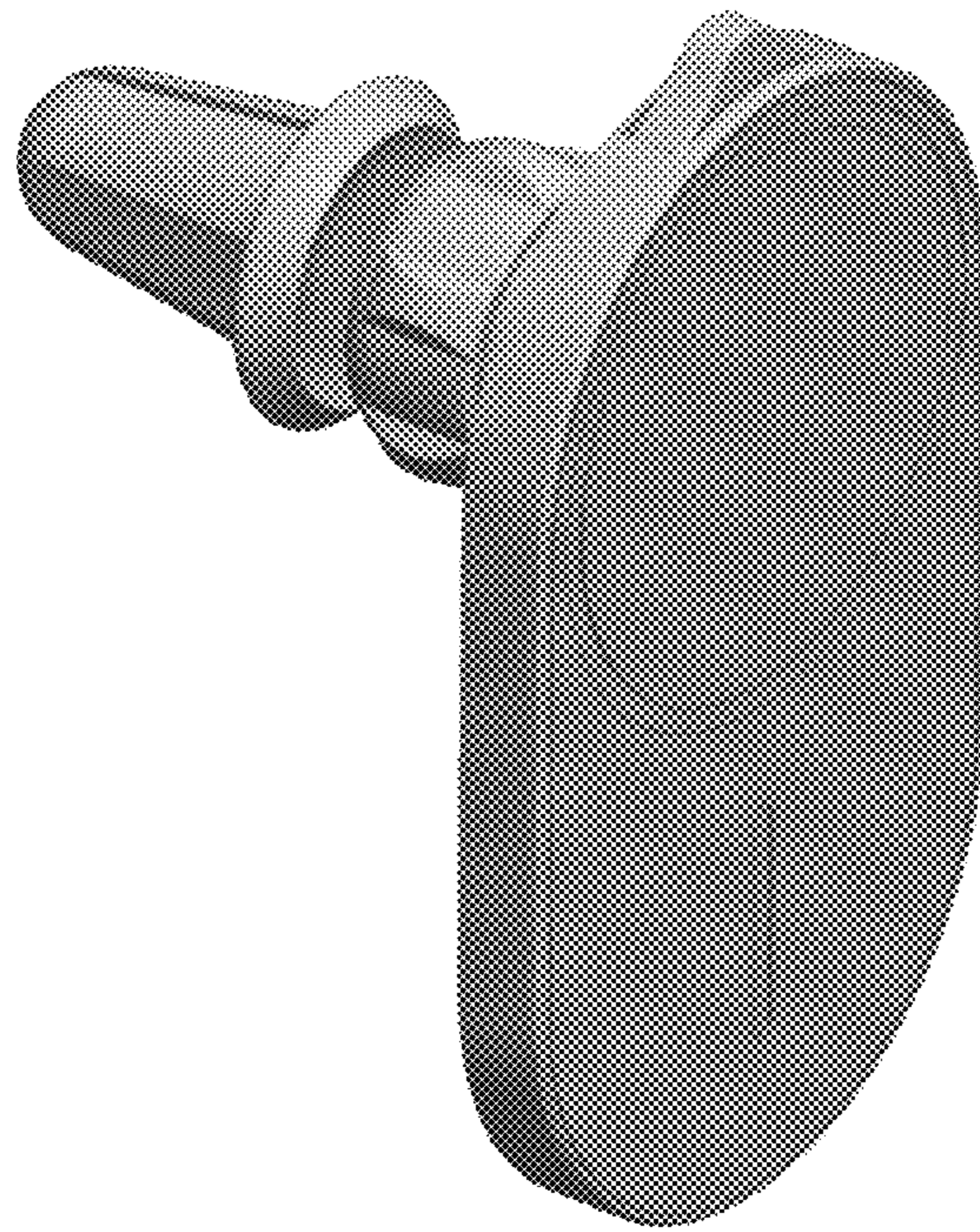
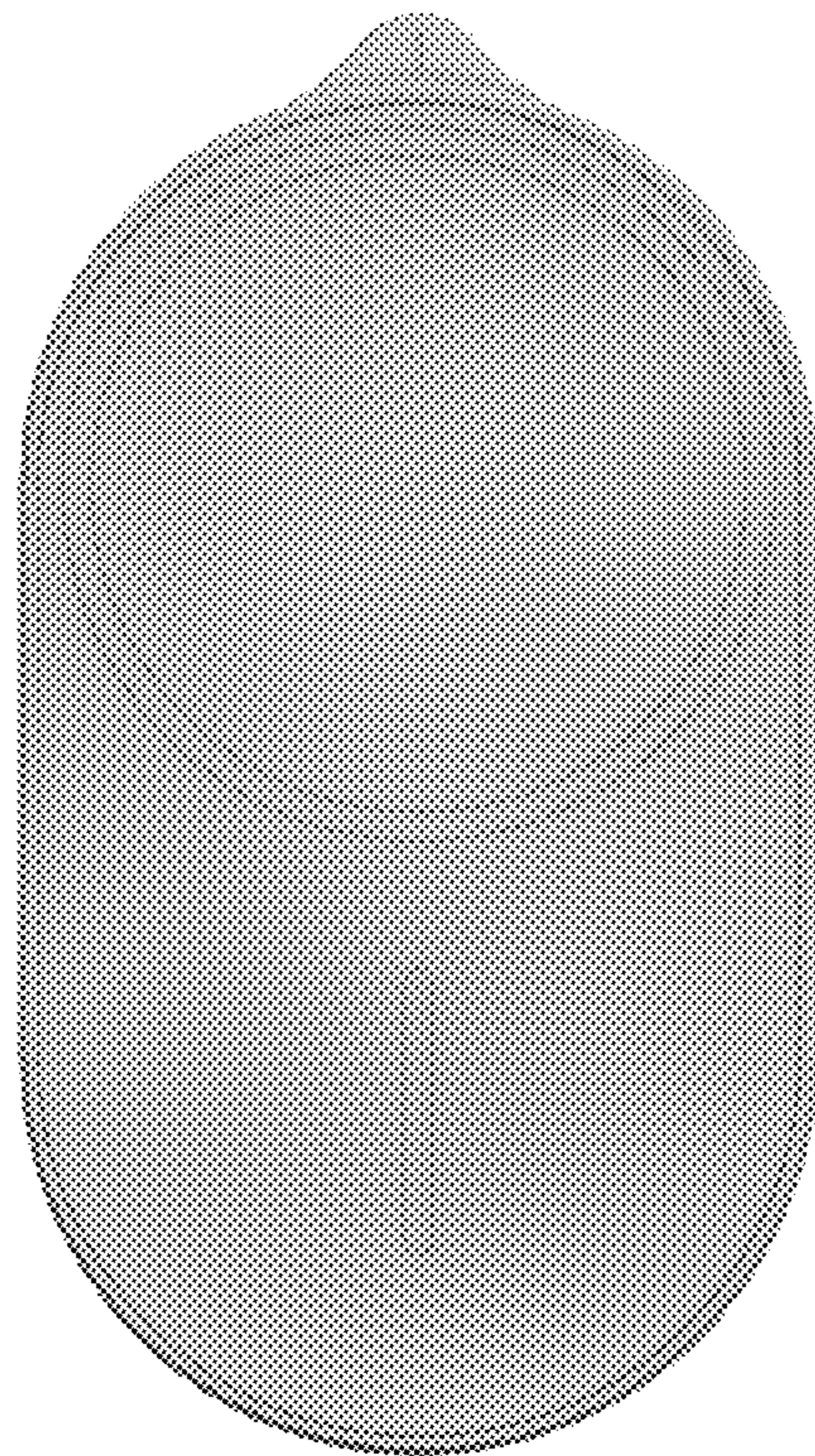
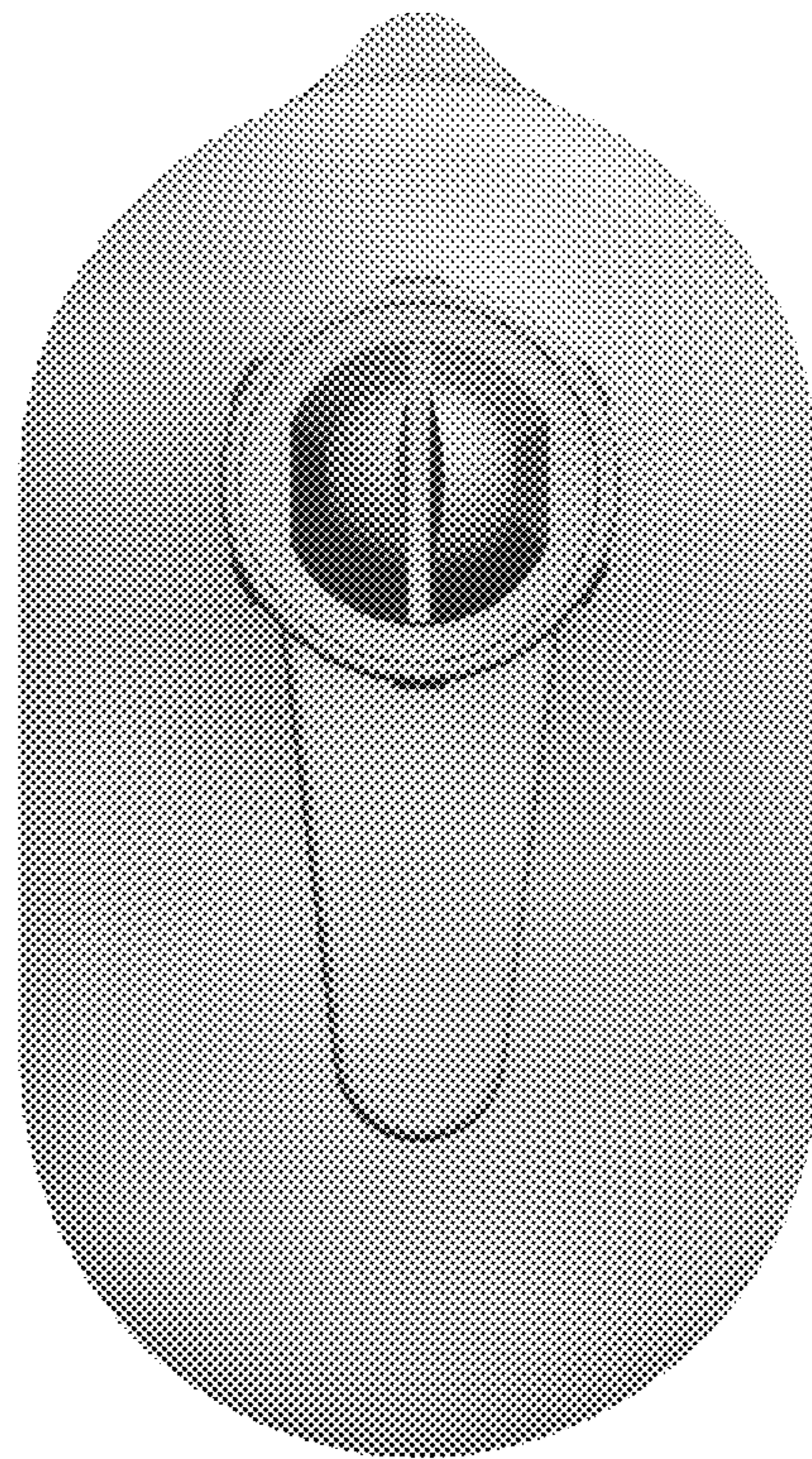


FIG. 1



**FIG. 2**



**FIG. 3**

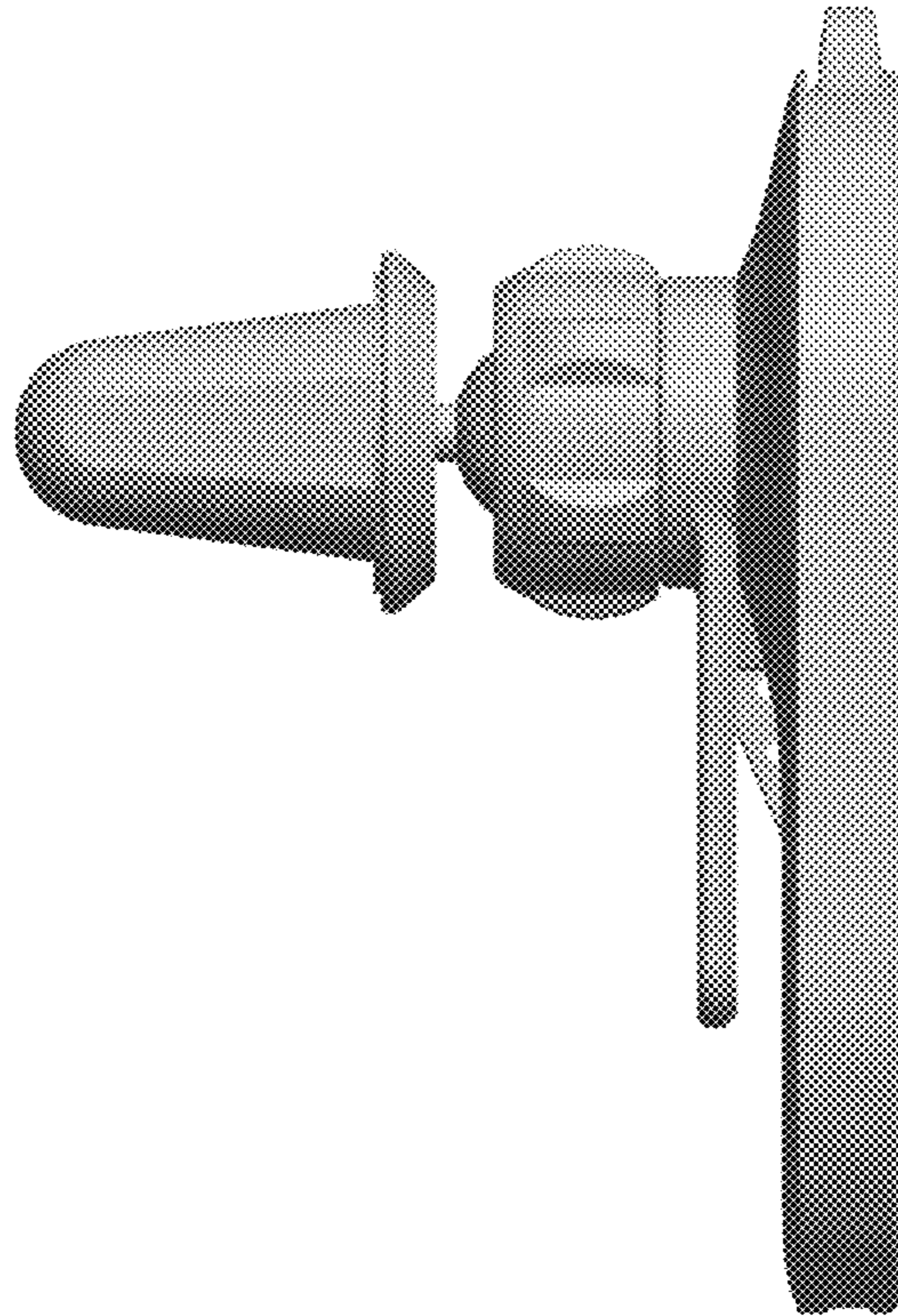
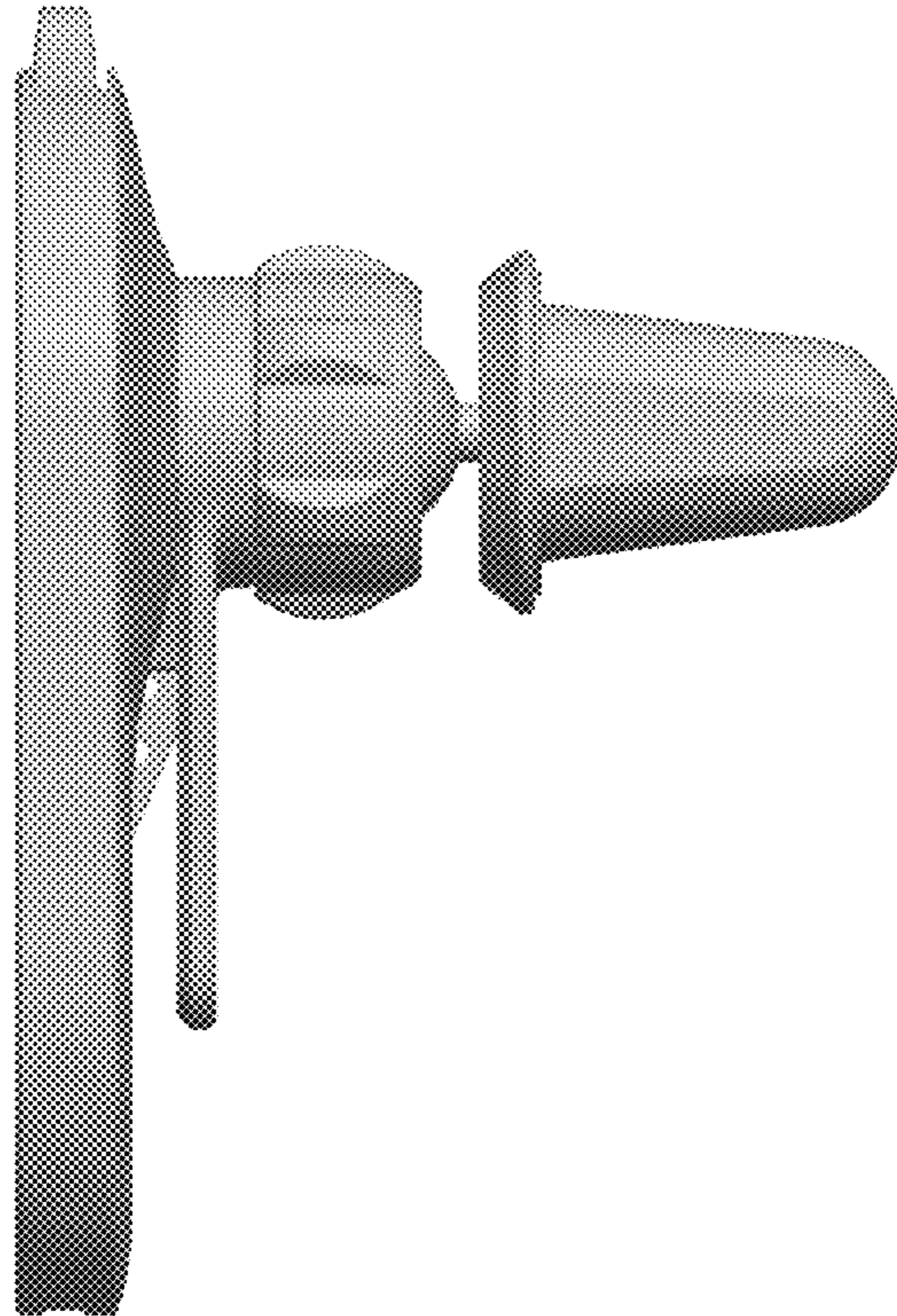


FIG. 4



**FIG. 5**

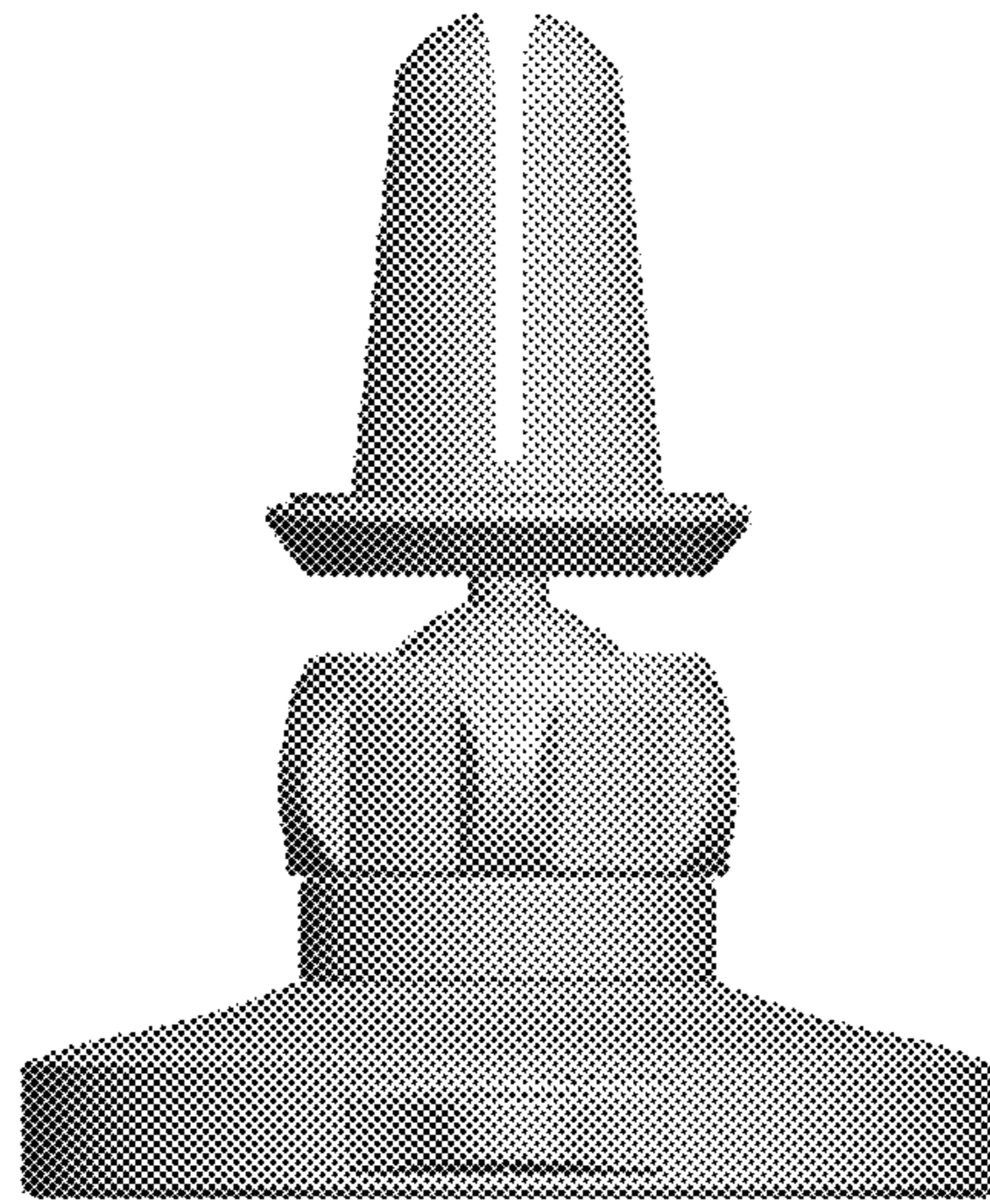
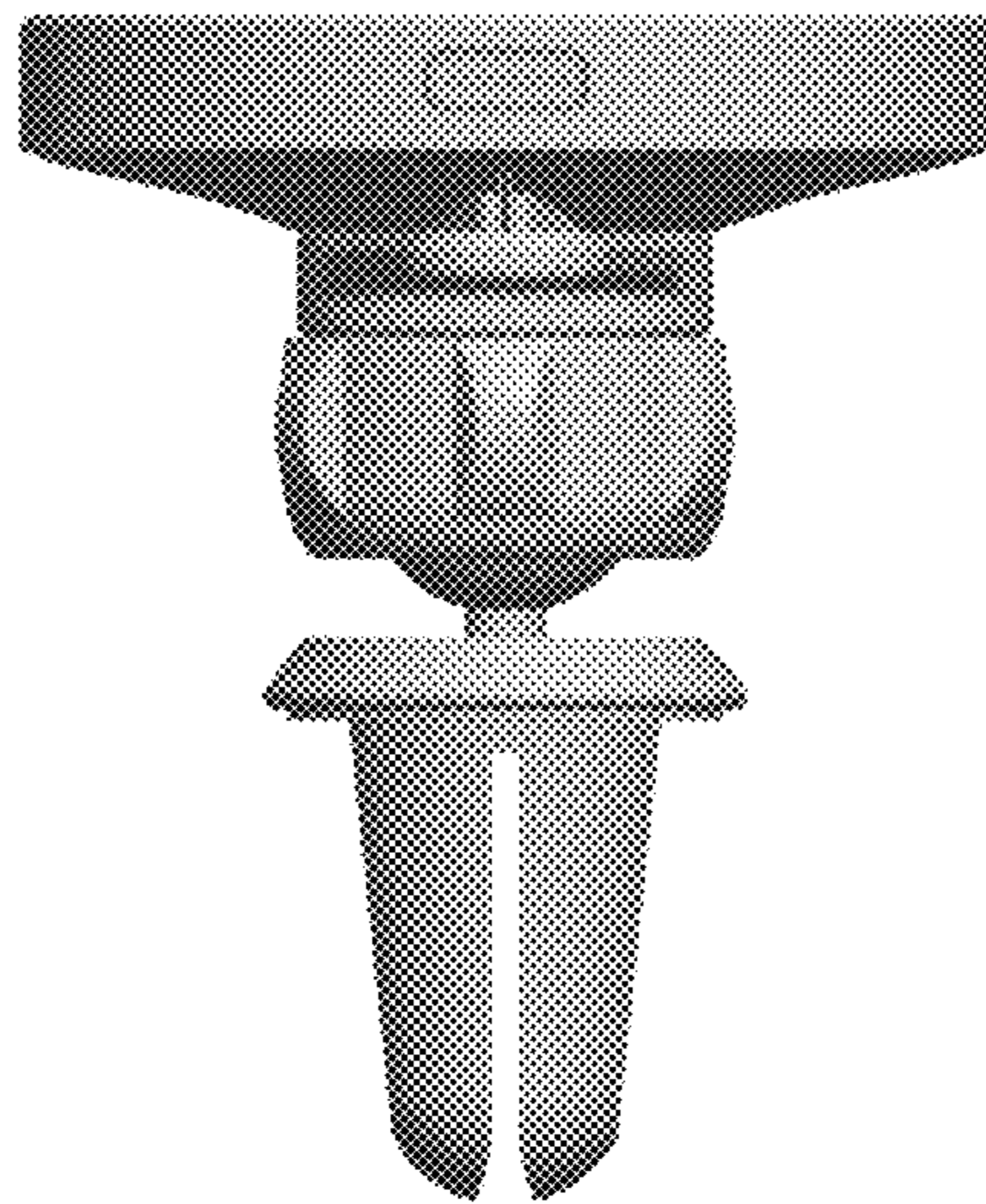


FIG. 6





**FIG. 7**