



US00D975011S

(12) **United States Design Patent** (10) **Patent No.:** **US D975,011 S**  
**Liang et al.** (45) **Date of Patent:** **\*\* Jan. 10, 2023**

(54) **POWER BANK**  
(71) Applicant: **ZHEJIANG LERA NEW ENERGY POWER TECHNOLOGY CO., LTD,**  
Ningbo (CN)  
(72) Inventors: **Jianxin Liang,** Ningbo (CN);  
**Hengzhao Ke,** Ningbo (CN)  
(73) Assignee: **ZHEJIANG LERA NEW ENERGY POWER TECHNOLOGY CO., LTD,**  
Ningbo (CN)

D695,216 S \* 12/2013 Miller ..... D13/108  
D705,719 S \* 5/2014 Wong ..... D13/103  
D708,129 S \* 7/2014 Houghton ..... D13/103  
D713,335 S \* 9/2014 Mao ..... D13/103  
D733,050 S \* 6/2015 Chiang ..... D13/103  
D760,645 S \* 7/2016 Chen ..... D13/103  
D763,790 S \* 8/2016 Lei ..... D13/108  
D768,068 S \* 10/2016 Chen ..... D13/103  
D787,443 S \* 5/2017 Chiang ..... D13/110  
D815,037 S \* 4/2018 Chen ..... D13/108

(Continued)

(\*\*) Term: **15 Years**  
(21) Appl. No.: **29/764,176**  
(22) Filed: **Dec. 29, 2020**

(30) **Foreign Application Priority Data**

Jun. 30, 2020 (CN) ..... 202030343940.7  
Jul. 28, 2020 (CN) ..... 202030418265.X

(51) **LOC (14) Cl.** ..... **13-02**  
(52) **U.S. Cl.**  
USPC ..... **D13/108; D13/103**  
(58) **Field of Classification Search**  
USPC ..... D13/102, 103, 106–108, 110, 112, 114,  
D13/116, 118–119, 184, 199  
CPC ..... H02J 7/0042; H02J 7/0044; H02J 7/0045;  
H02J 7/0047; H02J 7/0003; H02J  
7/00047; H02J 7/0013; H02J 7/0027;  
H02J 1/122; H02J 7/00; B60R 16/033;  
H01M 10/44; H01M 10/46  
See application file for complete search history.

(56) **References Cited**

**U.S. PATENT DOCUMENTS**

D539,218 S \* 3/2007 Gaber ..... D14/484.1  
D665,346 S \* 8/2012 Kumagai ..... D13/108  
8,541,985 B1 \* 9/2013 Wong ..... H02J 5/00  
320/140

**OTHER PUBLICATIONS**

“Miady 2-Pack Portable Charger 5000mAh, 3.45oz Lightweight Power Bank, 5V/2.4A Output & 5V/2A Input Battery Pack Charger, Mini Portable Phone Charger for iPhone, Samsung Galaxy and etc”, Amazon.com, first available on Jan. 14, 2020. Retrieved from the internet: <<https://www.amazon.com/Miady-Portable-Charger-5000mAh-Lightweight/dp/B083VRD7CX/>>(Year: 2020).\*

*Primary Examiner* — Rosemary K Tarcza  
(74) *Attorney, Agent, or Firm* — Bayramoglu Law Offices LLC

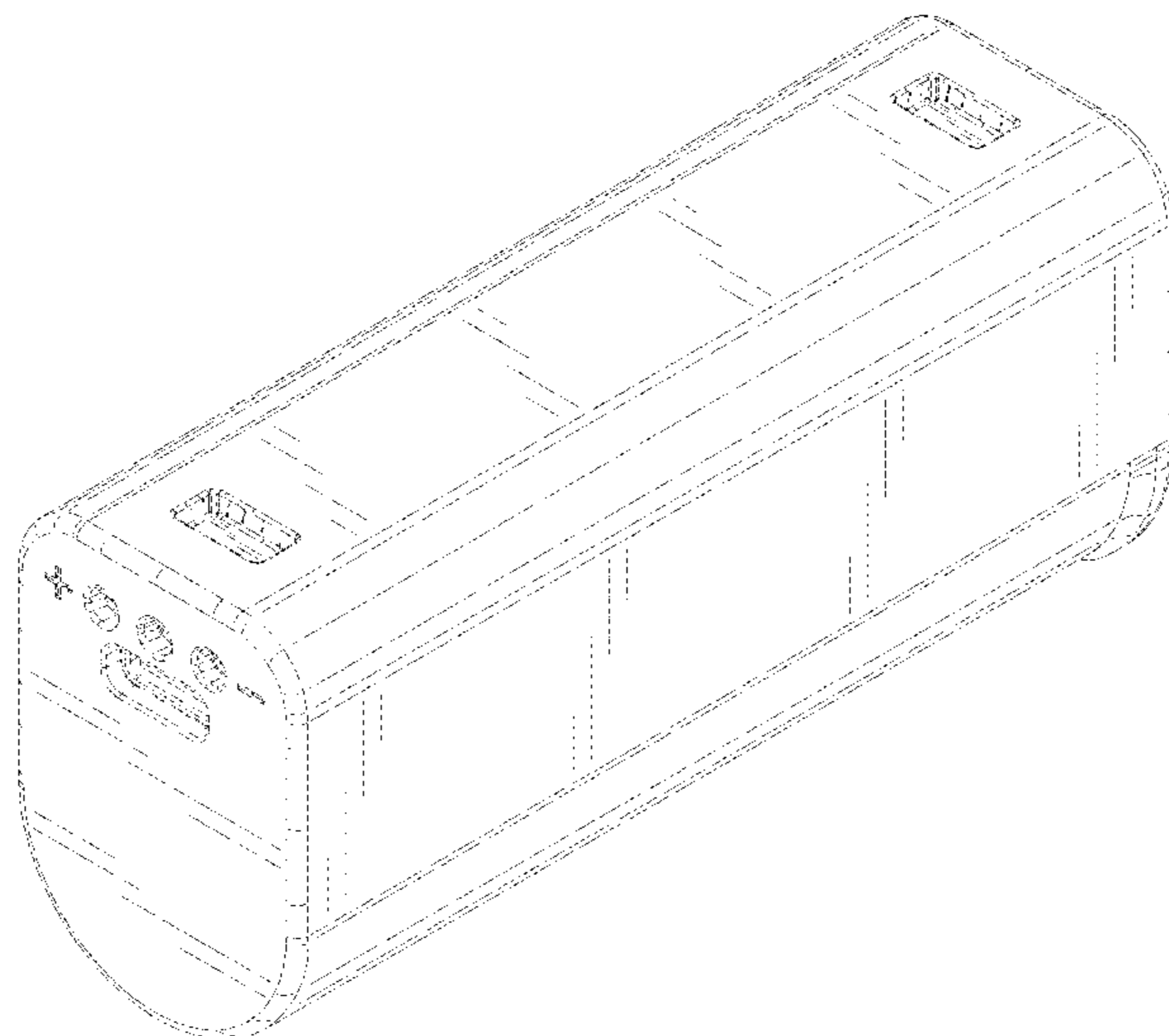
(57) **CLAIM**

The ornamental design for a power bank, as shown and described.

**DESCRIPTION**

FIG. 1 is a bottom, front, right perspective view of a power bank showing our new design;  
FIG. 2 is a right side view thereof;  
FIG. 3 is a left side view thereof;  
FIG. 4 is a front view thereof, a rear view being a mirror image of the front view;  
FIG. 5 is a top view thereof; and,  
FIG. 6 is a bottom view thereof.  
The broken lines depicting portions of the power bank form no part of the claimed design.

**1 Claim, 6 Drawing Sheets**



(56)

**References Cited**

U.S. PATENT DOCUMENTS

|                   |         |                |             |
|-------------------|---------|----------------|-------------|
| D816,607 S *      | 5/2018  | Roberts .....  | D13/103     |
| D826,854 S *      | 8/2018  | Roberts .....  | D13/103     |
| D827,569 S *      | 9/2018  | Roberts .....  | D13/103     |
| D839,823 S *      | 2/2019  | Lemelson ..... | D13/103     |
| D864,862 S *      | 10/2019 | Cheng .....    | D13/103     |
| D864,864 S *      | 10/2019 | Xu .....       | D13/110     |
| 2022/0255178 A1 * | 8/2022  | Li .....       | H01M 50/287 |

\* cited by examiner

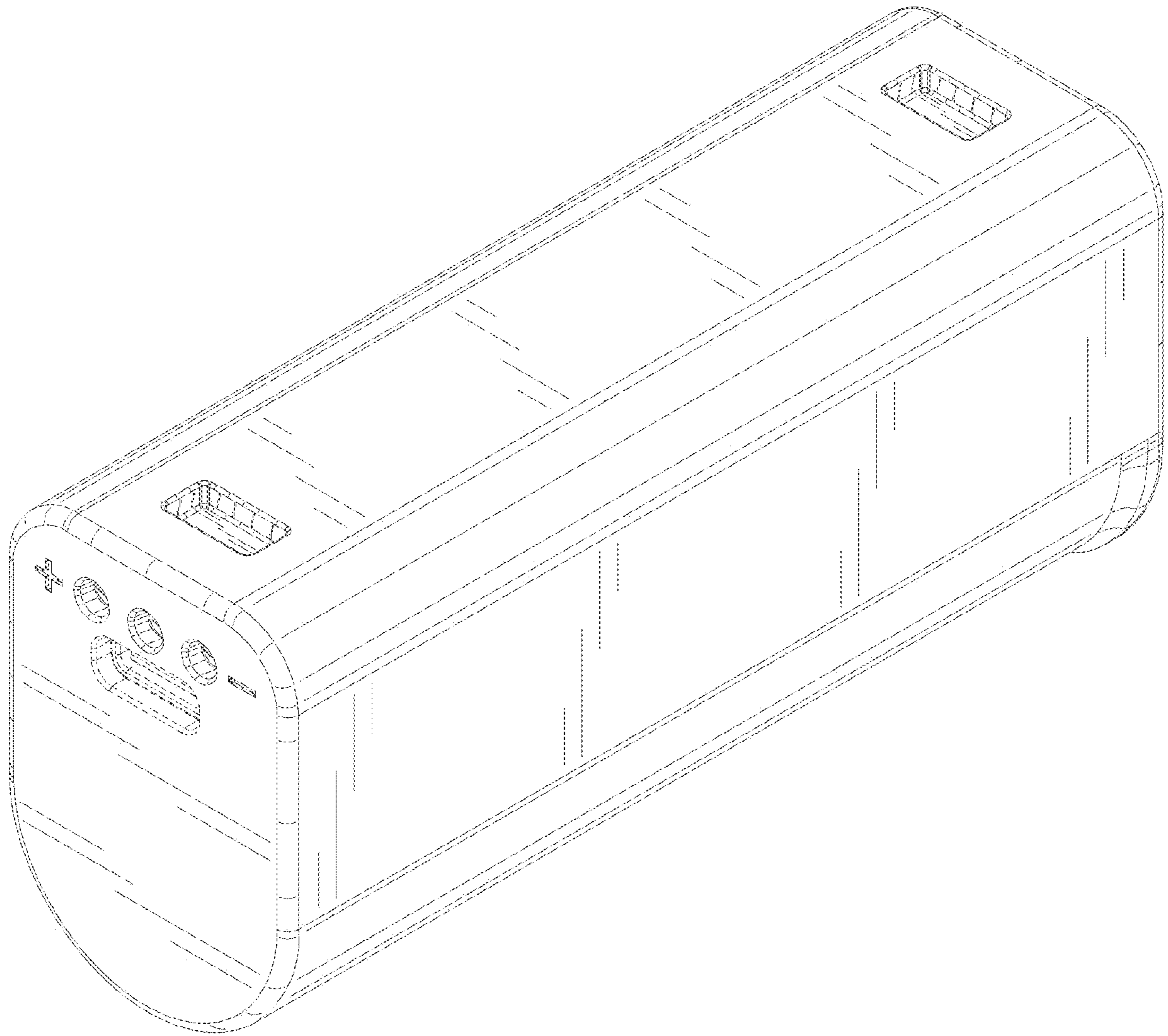


FIG. 1

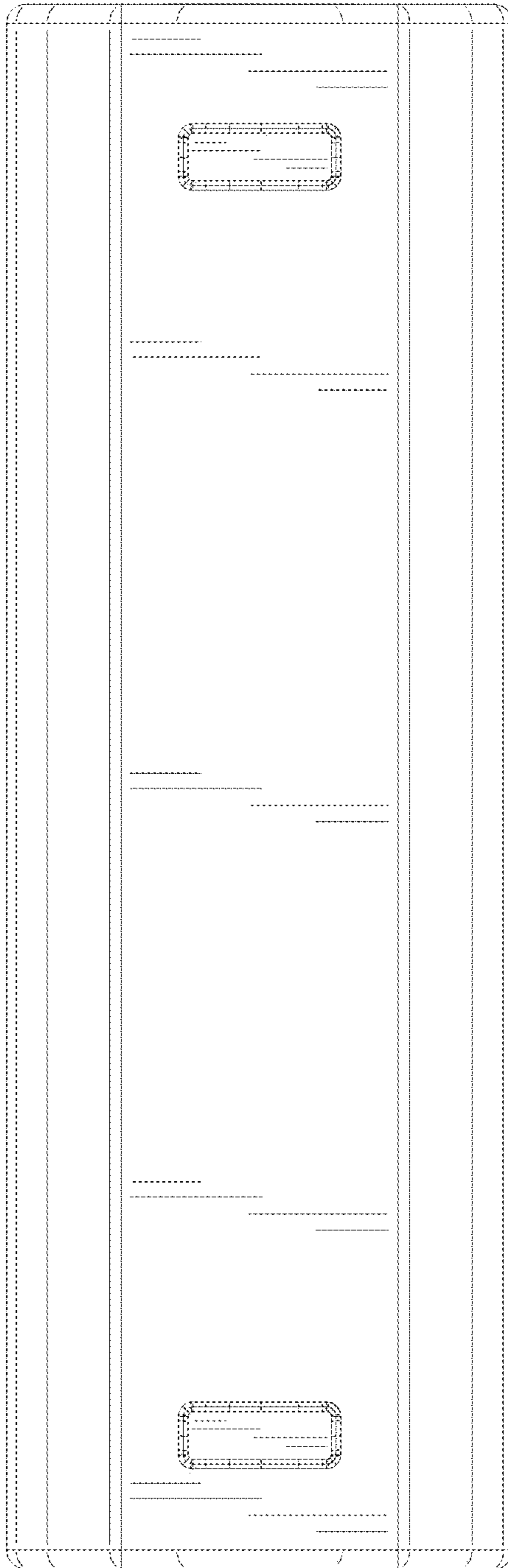


FIG. 2

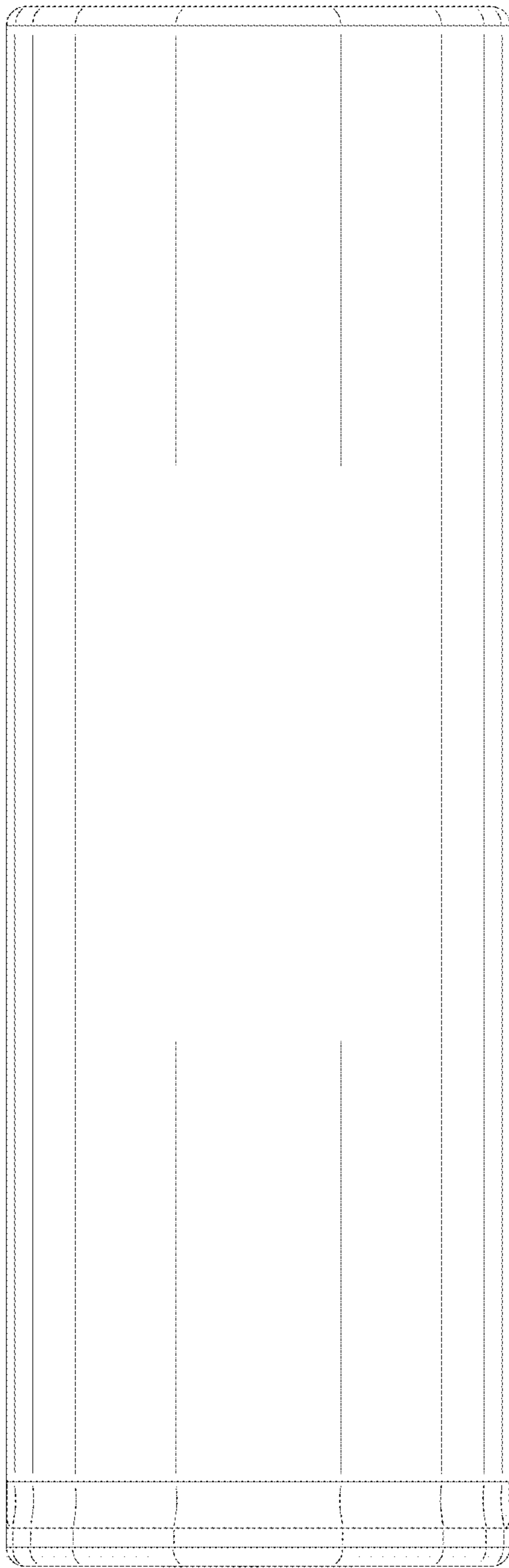


FIG. 3

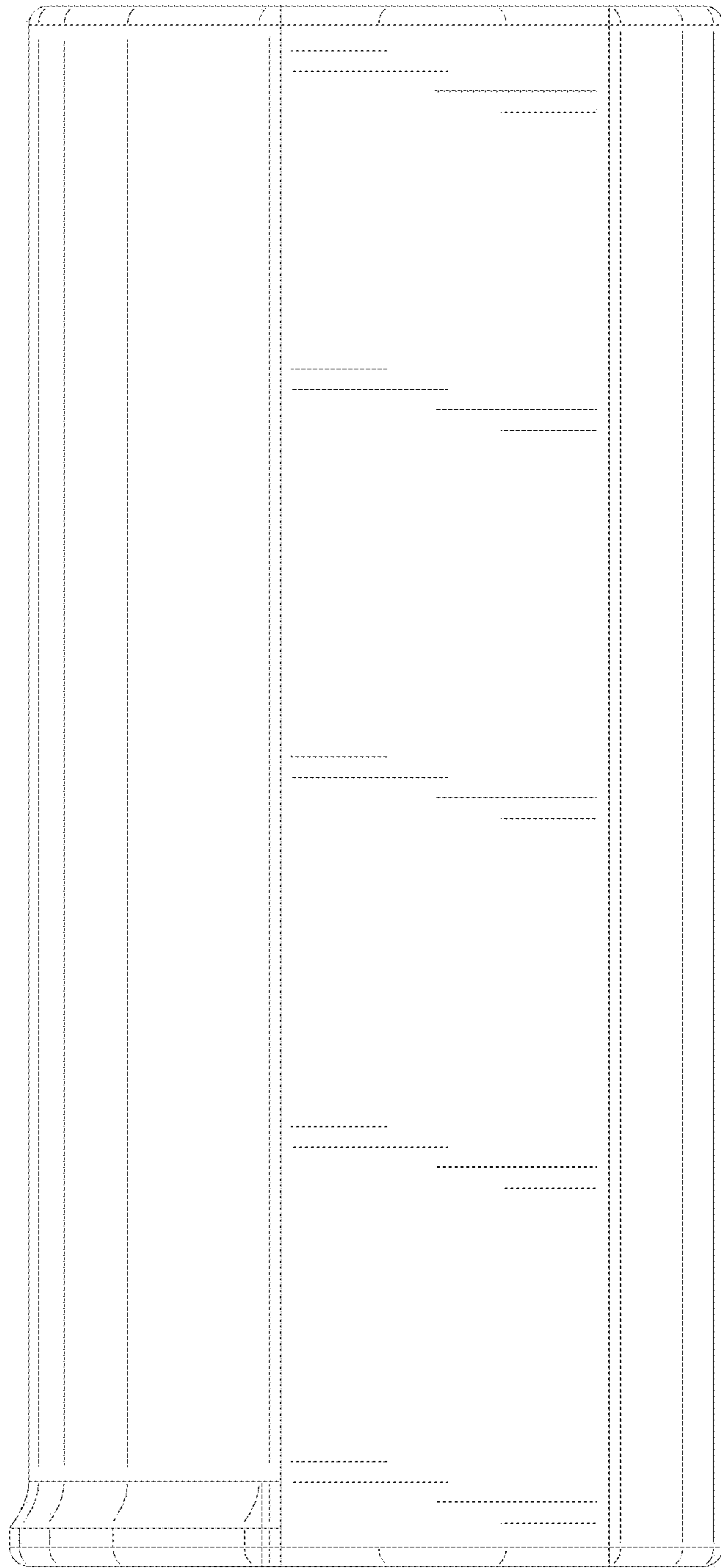


FIG. 4



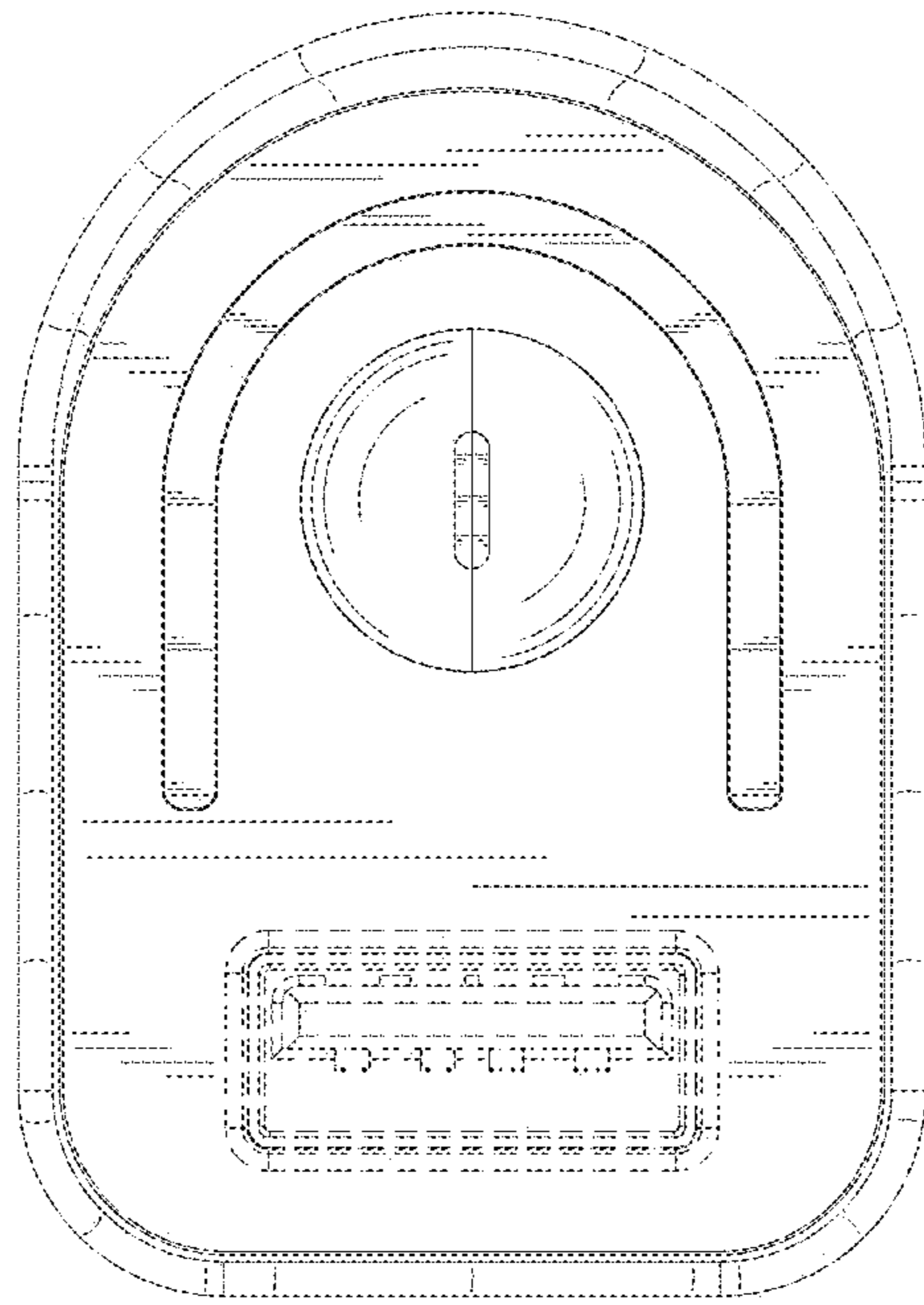


FIG. 5

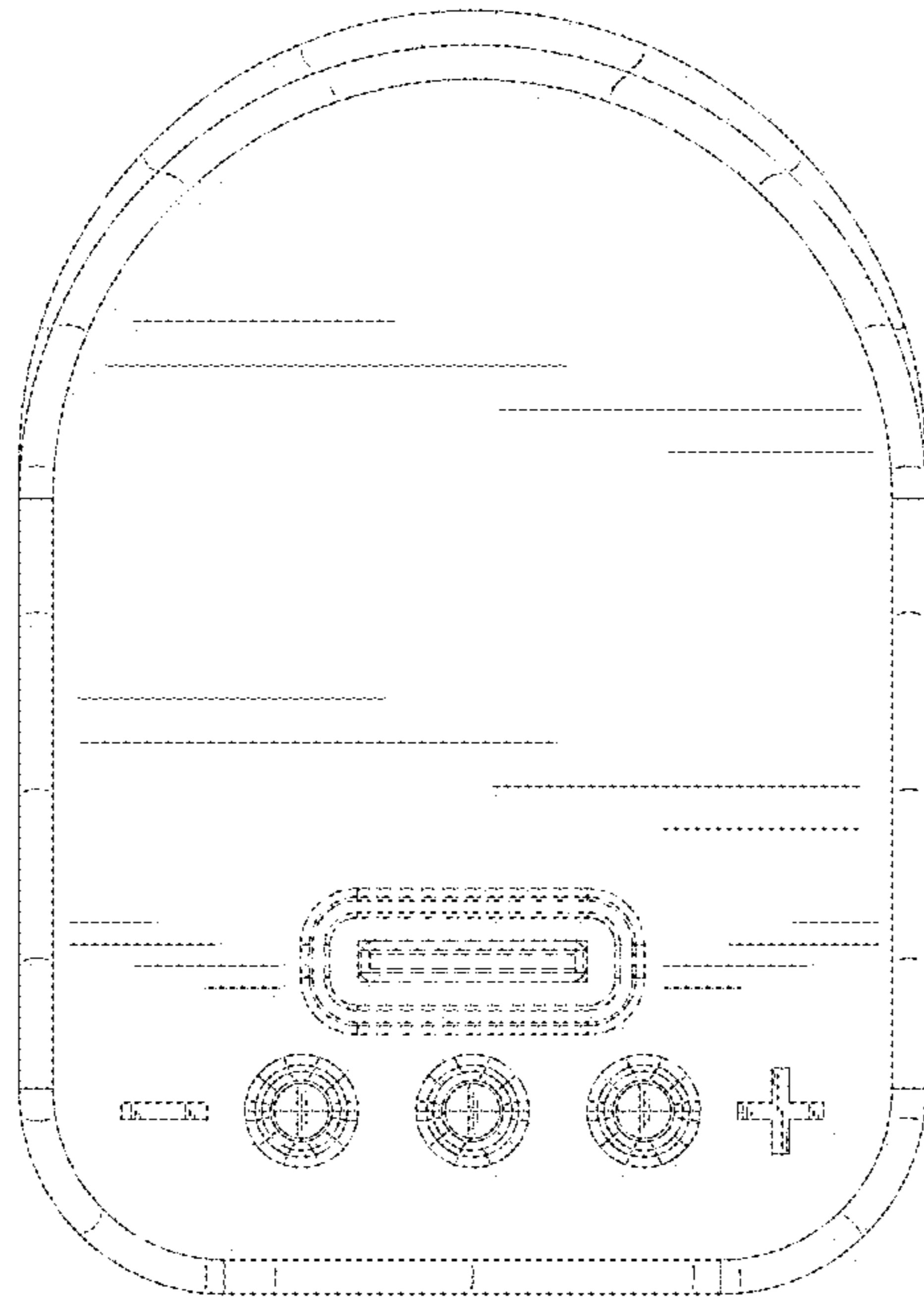


FIG. 6