



US00D975005S

(12) **United States Design Patent**
Miller et al.

(10) **Patent No.:** **US D975,005 S**
(45) **Date of Patent:** **** Jan. 10, 2023**

(54) **DECORATIVE PORTABLE POWER CHARGER AND CABLE**

(71) Applicant: **Halo International SEZC Ltd.**, Grand Cayman (KY)

(72) Inventors: **Garold C. Miller**, Hartford, CT (US);
Nathan Daniel Weinstein, Hartford, CT (US)

(73) Assignee: **BOLLINGER INDUSTRIES, INC.**, Fort Worth, TX (US)

(**) Term: **15 Years**

(21) Appl. No.: **29/685,212**

(22) Filed: **Mar. 27, 2019**

Related U.S. Application Data

(63) Continuation of application No. 29/615,413, filed on Aug. 29, 2017, now abandoned, and a continuation of application No. 15/486,368, filed on Apr. 13, 2017, now Pat. No. 10,483,774.

(51) **LOC (14) Cl.** **13-02**

(52) **U.S. Cl.**
USPC **D13/108**; D13/153

(58) **Field of Classification Search**
USPC D13/102, 103, 106–108, 110, 112, 114, D13/116, 118–119, 184, 199, 153
CPC H02J 7/0042; H02J 7/0044; H02J 7/0045; H02J 7/0047; H02J 7/0003; H02J 7/00047; H02J 7/0013; H02J 7/0027; H02J 1/122; H02J 7/00; H02J 2707/40; B60R 16/033; H01M 10/44; H01M 10/46; Y10T 24/3792
See application file for complete search history.

(56) **References Cited**

U.S. PATENT DOCUMENTS

1,413,618 A 4/1922 Rosenblum
1,896,060 A 1/1933 Colby

2,107,459 A 2/1938 Weller
2,762,056 A 9/1956 Glagovsky
3,105,243 A 10/1963 Kampfe et al.
D283,990 S 5/1986 Davidson
D351,771 S 10/1994 Carranza
D381,629 S * 7/1997 Goto D13/153
D429,281 S 8/2000 Miller et al.
D532,745 S * 11/2006 Gaber D14/484.1
D539,218 S * 3/2007 Gaber D14/484.1
D653,613 S 2/2012 Sasada et al.

(Continued)

OTHER PUBLICATIONS

Michael Zhang, This Stylish Leather Tassel is Actually a USB Charging Cable in Disguise, Sep. 12, 2014, <<https://petapixel.com/2014/09/12/stylish-leather-tassel-actually-usb-charging-cable-disguise/>>, pp. 1-4.

Primary Examiner — Rosemary K Tarcza

(74) *Attorney, Agent, or Firm* — Lathrop GPM LLP

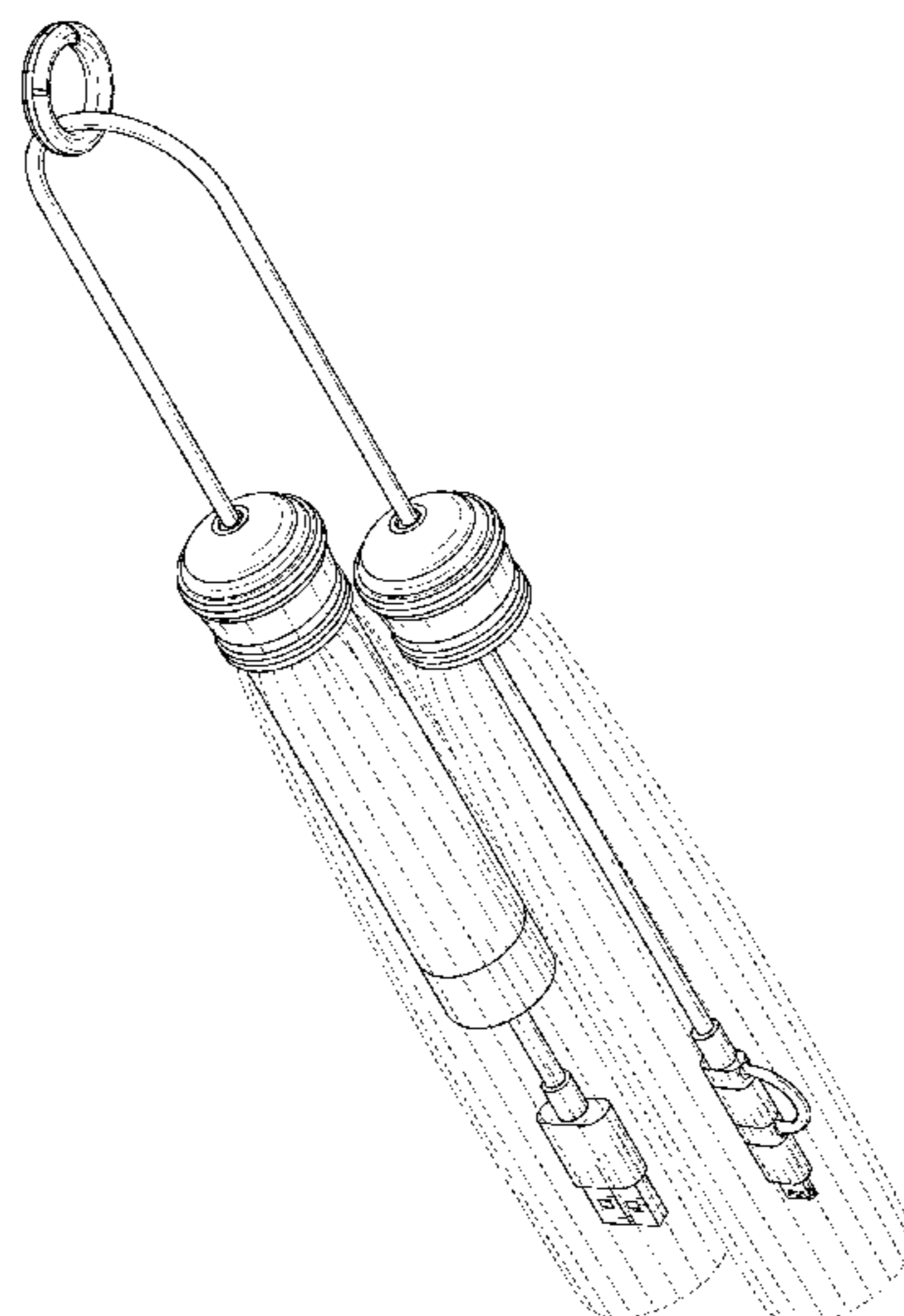
(57) **CLAIM**

The ornamental design for a decorative portable power charger and cable, substantially as shown and described.

DESCRIPTION

FIG. 1 is a front perspective view of a decorative portable power charger and cable showing our new design;
FIG. 2 is a front view thereof;
FIG. 3 is a rear view thereof;
FIG. 4 is a left-hand side view thereof;
FIG. 5 is a right-hand side view thereof;
FIG. 6 is a top view thereof; and,
FIG. 7 is a bottom view thereof.
The broken lines shown in the drawings are included for purpose of illustrating portions of the decorative portable power charger and cable that form no part of the claimed design.

1 Claim, 3 Drawing Sheets



(56)

References Cited

U.S. PATENT DOCUMENTS

D673,110 S 12/2012 Sasada et al.
 D683,991 S 6/2013 Smith
 D695,216 S * 12/2013 Miller D13/108
 D716,052 S 10/2014 Sappenfield-Chan
 D730,637 S 6/2015 Maddocks
 D735,663 S * 8/2015 Miller D13/103
 D741,258 S 10/2015 Chao
 D749,505 S 2/2016 Verleur et al.
 D795,816 S * 8/2017 He D13/153
 D798,825 S * 10/2017 Hahn D13/153
 D830,310 S * 10/2018 Applebaum D13/153
 D841,575 S * 2/2019 Hsieh D13/108
 D878,292 S * 3/2020 Wu D13/110
 D883,919 S * 5/2020 Gong D13/103
 D892,048 S * 8/2020 Zhuang D13/110
 D915,296 S * 4/2021 Nauroy D13/153

D946,506 S * 3/2022 Cheng D13/107
 D946,508 S * 3/2022 Cheng D13/107
 D958,065 S * 7/2022 Kaneda D13/107
 2006/0208695 A1 * 9/2006 Weinstein H01M 50/247
 320/112
 2012/0289080 A1 11/2012 Huang et al.
 2013/0043827 A1 2/2013 Weinstein et al.
 2013/0076298 A1 * 3/2013 Miller H02J 7/342
 320/103
 2013/0221922 A1 * 8/2013 Liu H02J 7/0042
 320/111
 2015/0028797 A1 * 1/2015 Miller H02J 7/0045
 320/103
 2015/0201708 A1 7/2015 Maddocks
 2015/0270728 A1 9/2015 Williams
 2016/0233703 A1 * 8/2016 Miller A45F 5/02
 2017/0222455 A1 * 8/2017 Miller A45C 13/08
 2019/0305569 A1 * 10/2019 Miller A45F 5/021

* cited by examiner

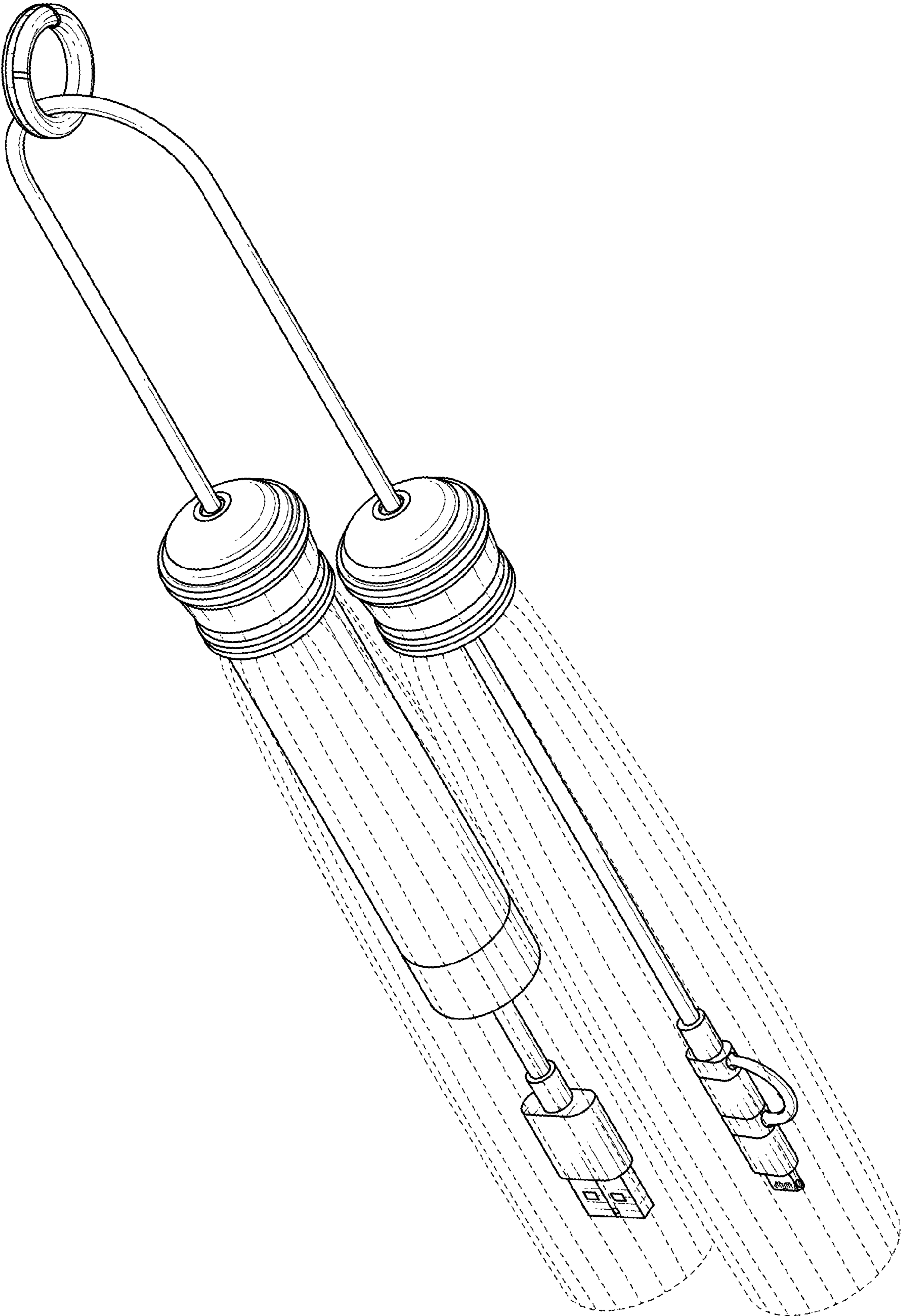


FIG. 1

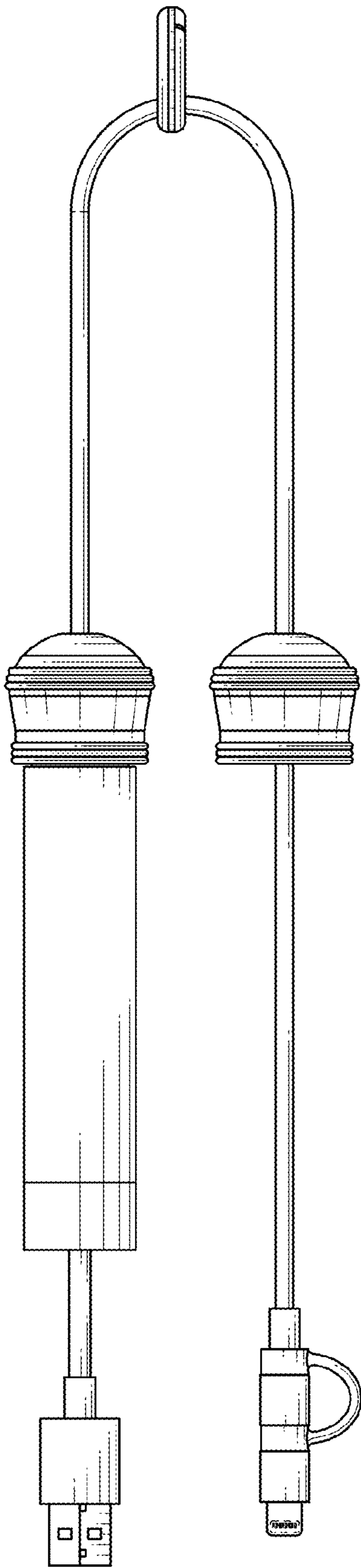


FIG. 2

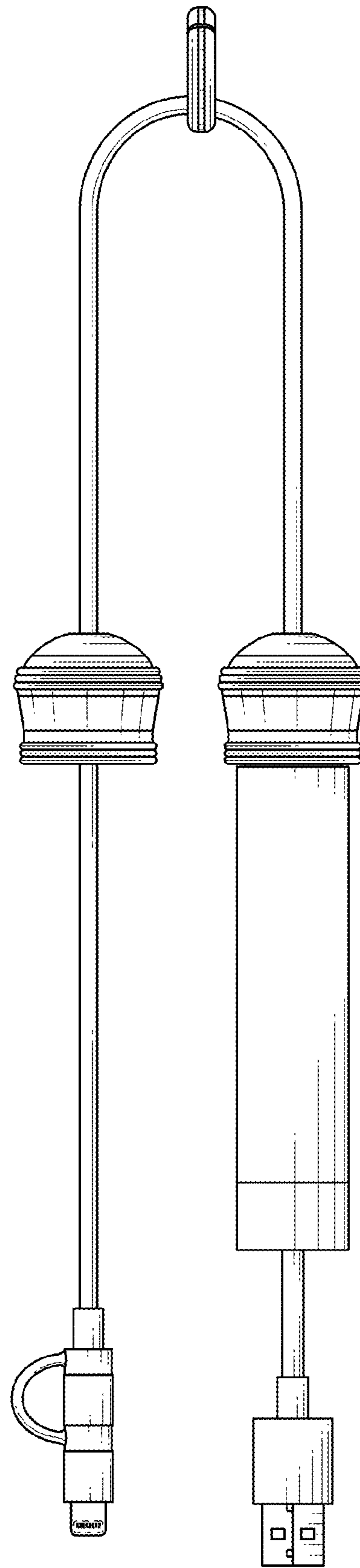


FIG. 3

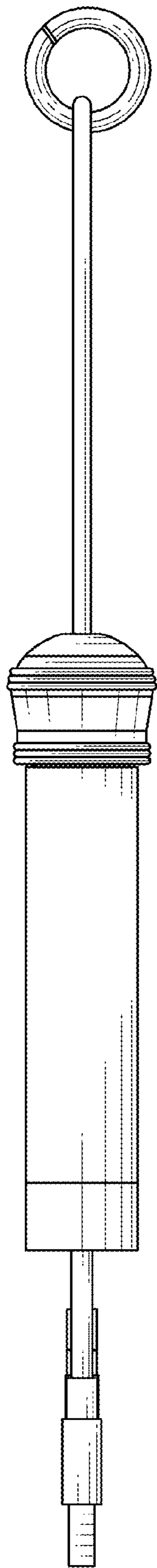


FIG. 4

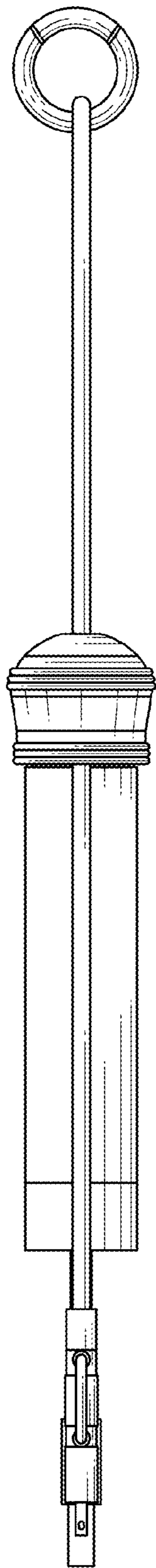


FIG. 5

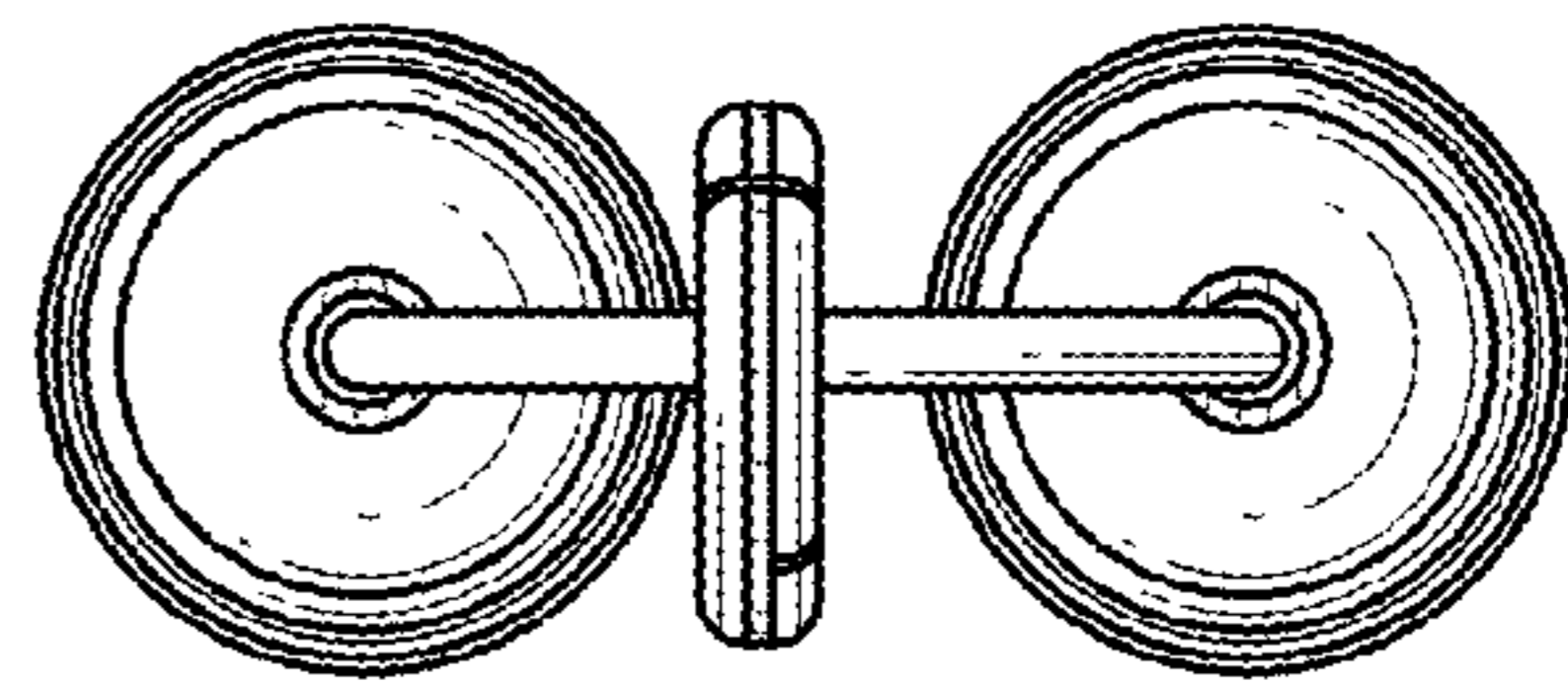


FIG. 6

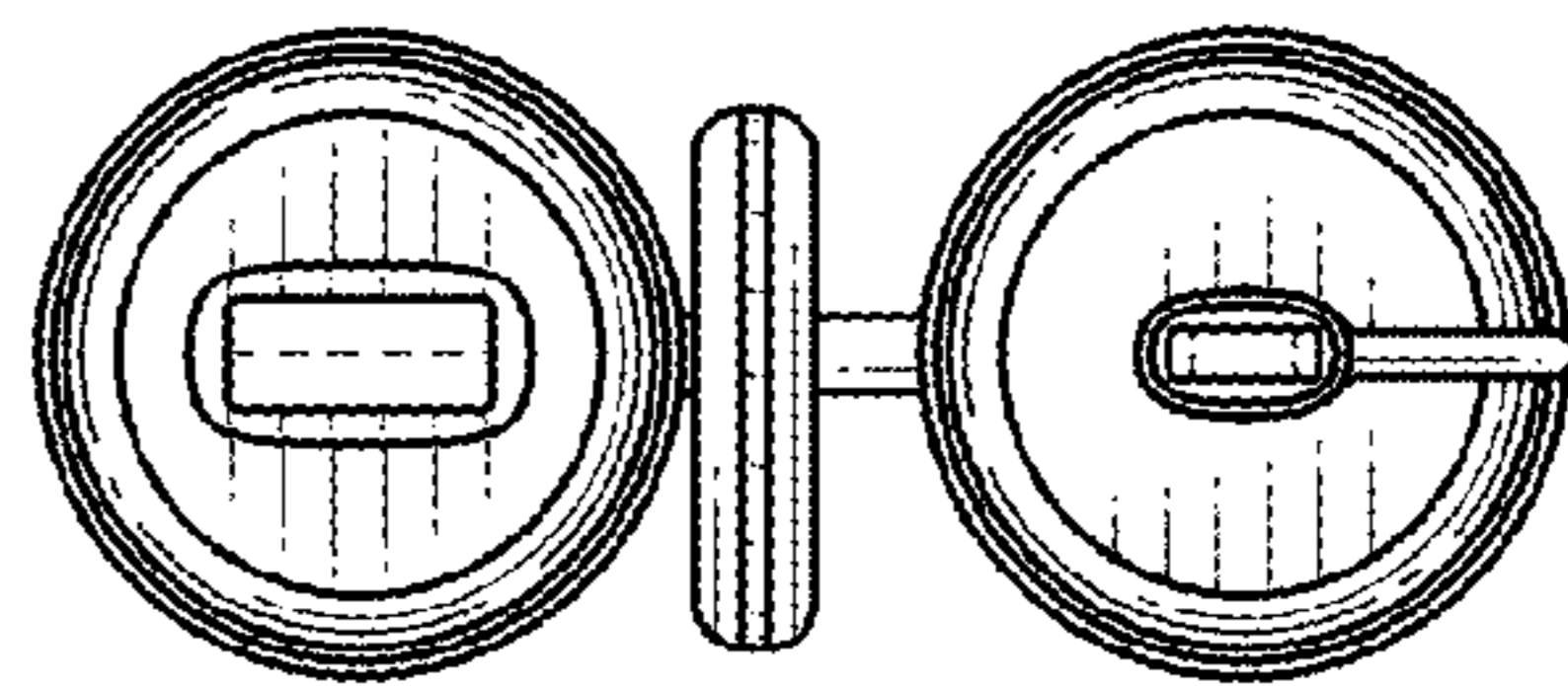


FIG. 7