



US00D975004S

(12) **United States Design Patent** (10) **Patent No.:** **US D975,004 S**  
**Peng** (45) **Date of Patent:** **\*\* Jan. 10, 2023**

(54) **BATTERY TESTER**  
(71) Applicant: **AUTEL INTELLIGENT TECHNOLOGY CORP., LTD.,**  
Guangdong (CN)  
(72) Inventor: **Anliang Peng,** Guangdong (CN)  
(73) Assignee: **AUTEL INTELLIGENT TECHNOLOGY CORP., LTD.,**  
Guangdong (CN)  
(\*\*) Term: **15 Years**

(21) Appl. No.: **29/775,367**  
(22) Filed: **Mar. 23, 2021**  
(30) **Foreign Application Priority Data**

Sep. 29, 2020 (CN) ..... 202030587630.X

(51) **LOC (14) Cl.** ..... **13-02**  
(52) **U.S. Cl.**  
USPC ..... **D13/107**

(58) **Field of Classification Search**  
USPC ..... D13/103–110, 118–119; D3/294, 274,  
D3/905, 273; D26/25  
CPC ..... H02J 7/0042; H02J 7/0045; H02J 7/0054;  
H02J 7/0044; H02J 2007/0062  
See application file for complete search history.

(56) **References Cited**  
U.S. PATENT DOCUMENTS  
D935,394 S \* 11/2021 Qiu ..... D13/108  
D936,572 S \* 11/2021 Turksu ..... D13/108  
D936,573 S \* 11/2021 Turksu ..... D13/108  
D936,575 S \* 11/2021 Feng ..... D13/108  
D936,579 S \* 11/2021 Wang ..... D24/217  
D937,206 S \* 11/2021 Romano ..... D13/108  
D939,435 S \* 12/2021 Feng ..... D13/107  
D940,654 S \* 1/2022 Lin ..... D13/108  
D942,379 S \* 2/2022 Lieblein ..... D13/108  
D945,965 S \* 3/2022 Wang ..... D13/108

D946,498 S \* 3/2022 Maiwald ..... D13/102  
D947,123 S \* 3/2022 Dong ..... D13/108  
D947,765 S \* 4/2022 O’Leary ..... D13/162

**OTHER PUBLICATIONS**

Wireless Chargers. (Design—© Questel) orbit.com. [Online PDF compilation of references] 58 pgs. Print Dates Range Feb. 22, 2022–Dec. 3, 2021 [Retrieved Apr. 18, 2022].\*  
Ready Hour Wireless Solar PowerBank Charger. Before Apr. 16, 2019. My Patriot Supply. <https://mypatriotsupply.com/products/wireless-lit-solar-powerbank>.\*  
PowerCore 10K Wireless Anker. Before Aug. 12, 2020. Anker. [https://us.anker.com/products/a1615?currency=USD&variant=37438586126486&utm\\_source=google&utm\\_medium=pmax&utm\\_campaign=us\\_anker\\_battery\\_conversion\\_pmax\\_battery\\_purchase\\_ost&utm\\_content=battery&utm\\_term={16491181900}\\_{}\\_{\\_}&gclid=EAIalQobChMkZuU79ae9wIVWcvlC.\\*](https://us.anker.com/products/a1615?currency=USD&variant=37438586126486&utm_source=google&utm_medium=pmax&utm_campaign=us_anker_battery_conversion_pmax_battery_purchase_ost&utm_content=battery&utm_term={16491181900}_{}_{_}&gclid=EAIalQobChMkZuU79ae9wIVWcvlC.*)  
Anker 533 Wireless Power Bank. Before Feb. 16, 2021. Anker. [https://us.anker.com/products/a1617?currency=USD&variant=37438667423894&utm\\_source=google&utm\\_medium=pmax&utm\\_campaign=us\\_anker\\_battery\\_conversion\\_pmax\\_battery\\_purchase\\_ost&utm\\_content=battery&utm\\_term={16491181900}\\_{}\\_{\\_}&gclid=EAIalQobChMkZuU79ae9wIVWcvlC.\\*](https://us.anker.com/products/a1617?currency=USD&variant=37438667423894&utm_source=google&utm_medium=pmax&utm_campaign=us_anker_battery_conversion_pmax_battery_purchase_ost&utm_content=battery&utm_term={16491181900}_{}_{_}&gclid=EAIalQobChMkZuU79ae9wIVWcvlC.*)

\* cited by examiner

*Primary Examiner* — George D. Kirschbaum  
*Assistant Examiner* — Suzanne E Tisdell

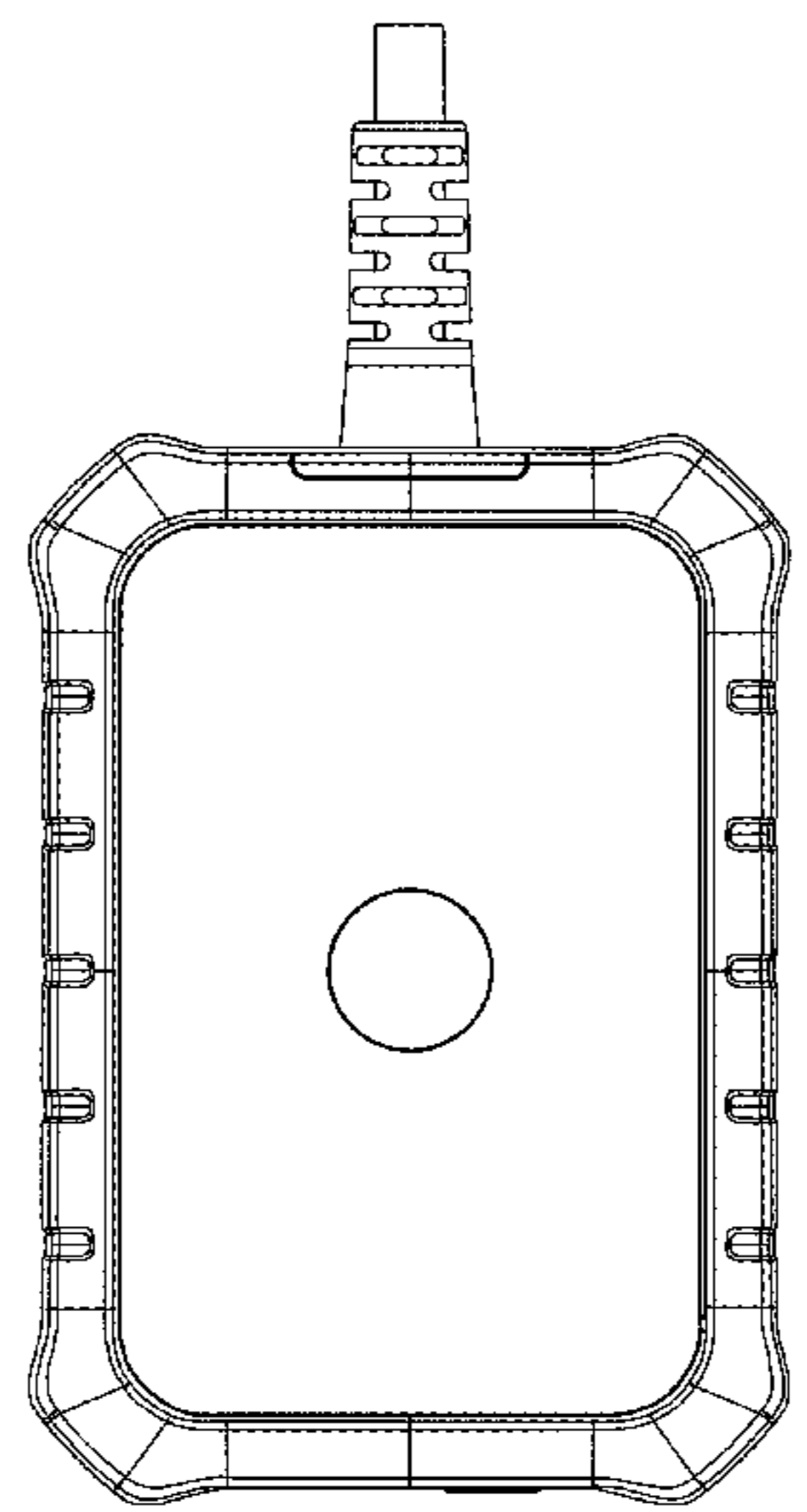
(57) **CLAIM**

I claim the ornamental design for a battery tester, as shown and described.

**DESCRIPTION**

FIG. 1 is a front elevational view of a battery tester showing our new design;  
FIG. 2 is a back elevational view thereof;  
FIG. 3 is a left side elevational view thereof;  
FIG. 4 is a right side elevational view thereof;  
FIG. 5 is a top plan view thereof;  
FIG. 6 is a bottom plan view thereof;  
FIG. 7 is a first perspective view thereof; and,  
FIG. 8 is a second perspective view thereof.

**1 Claim, 7 Drawing Sheets**



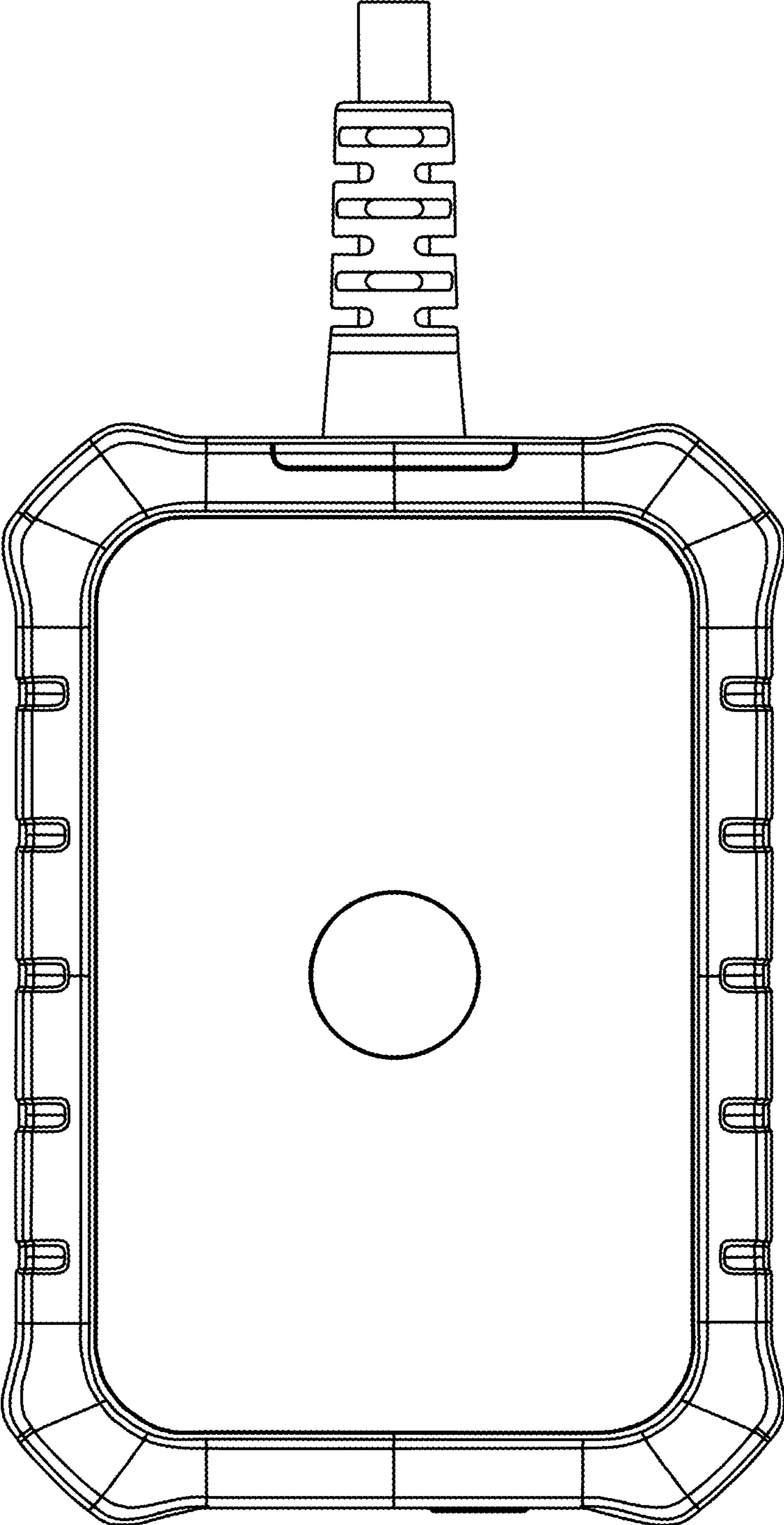


FIG. 1

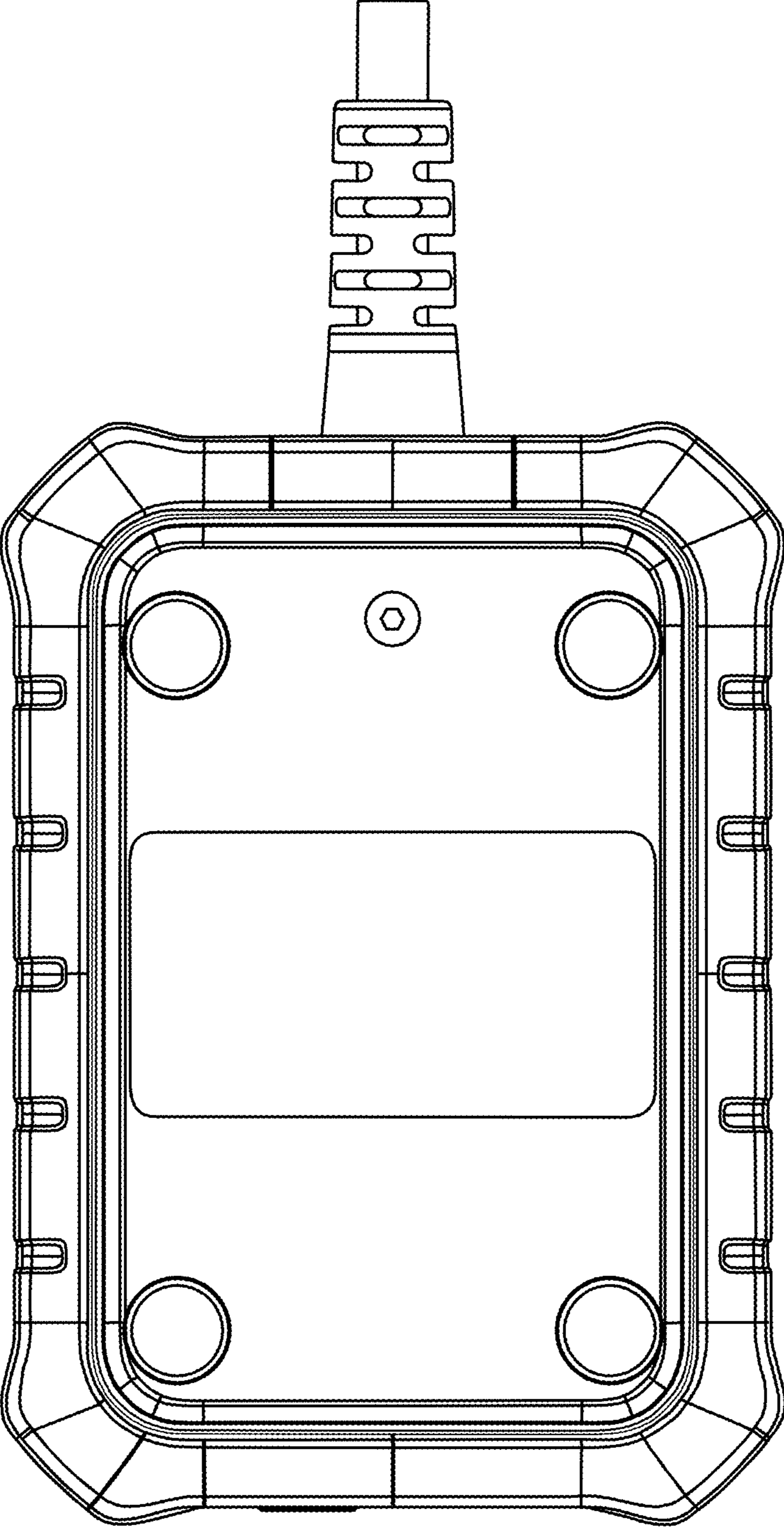
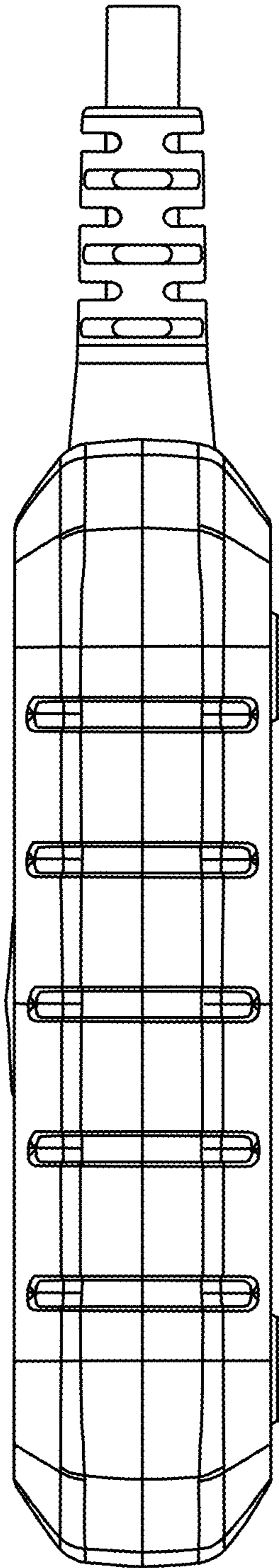
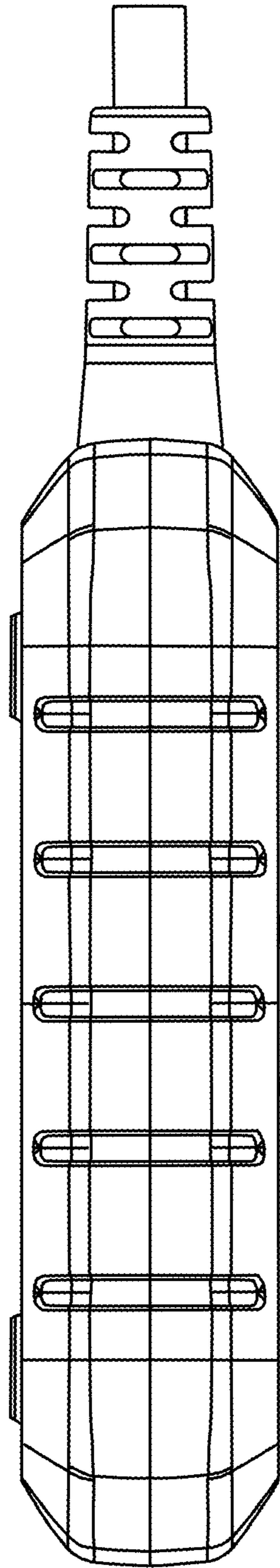


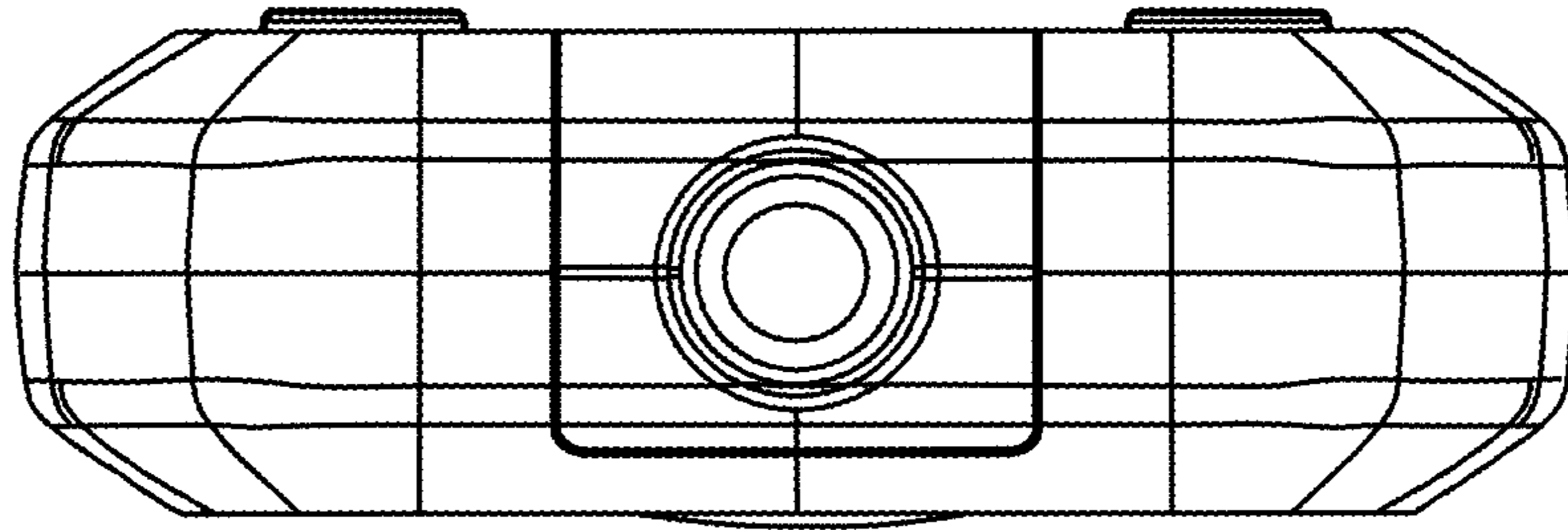
FIG. 2



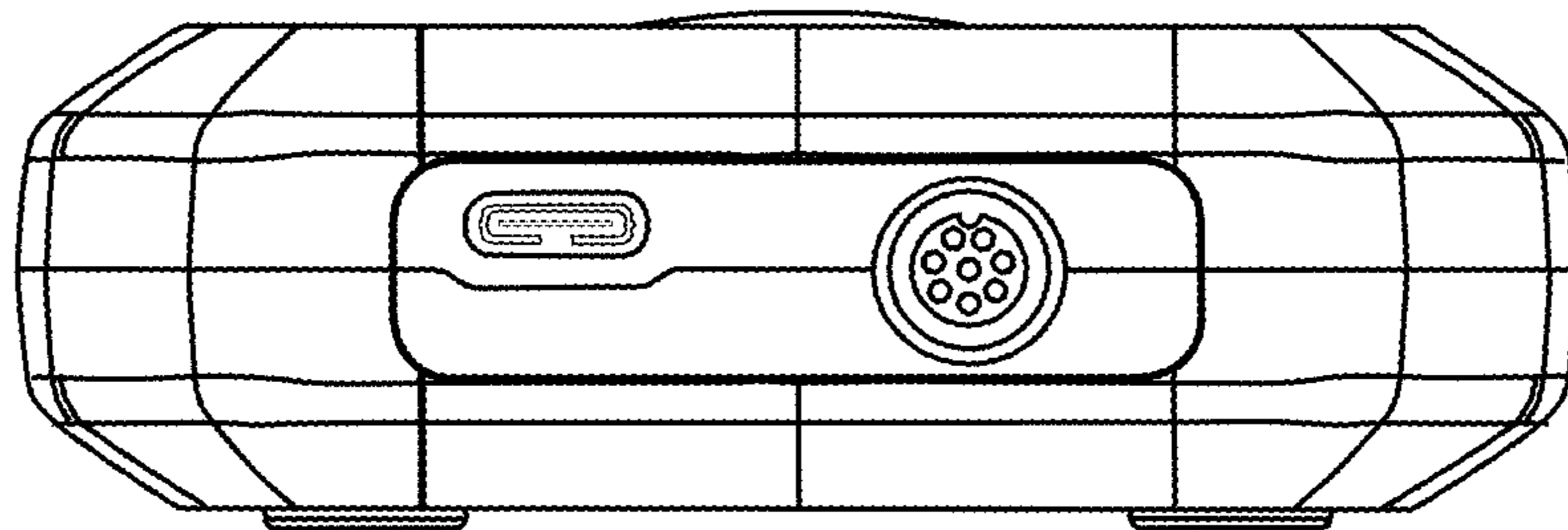
**FIG. 3**



**FIG. 4**



**FIG. 5**



**FIG. 6**

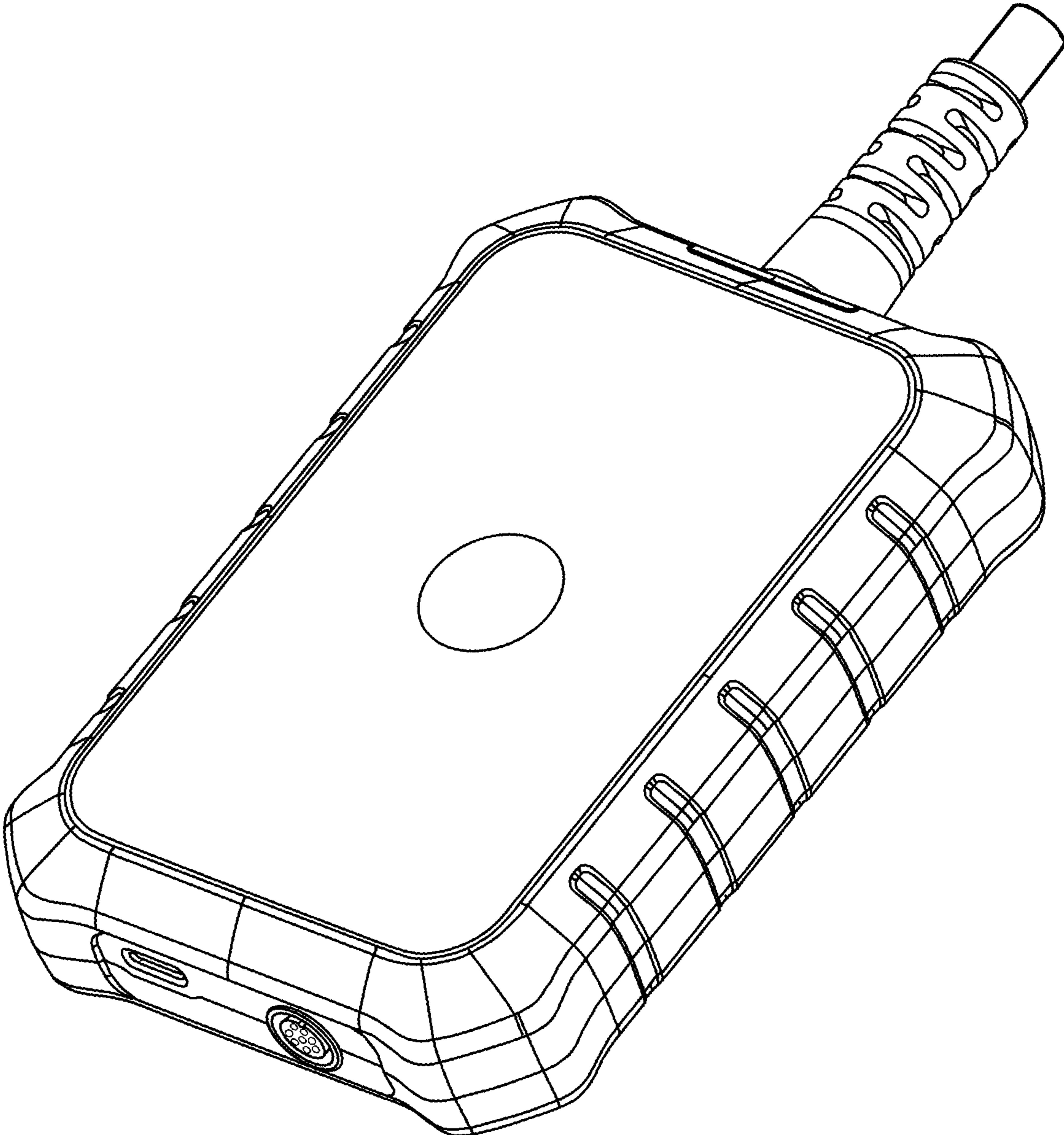
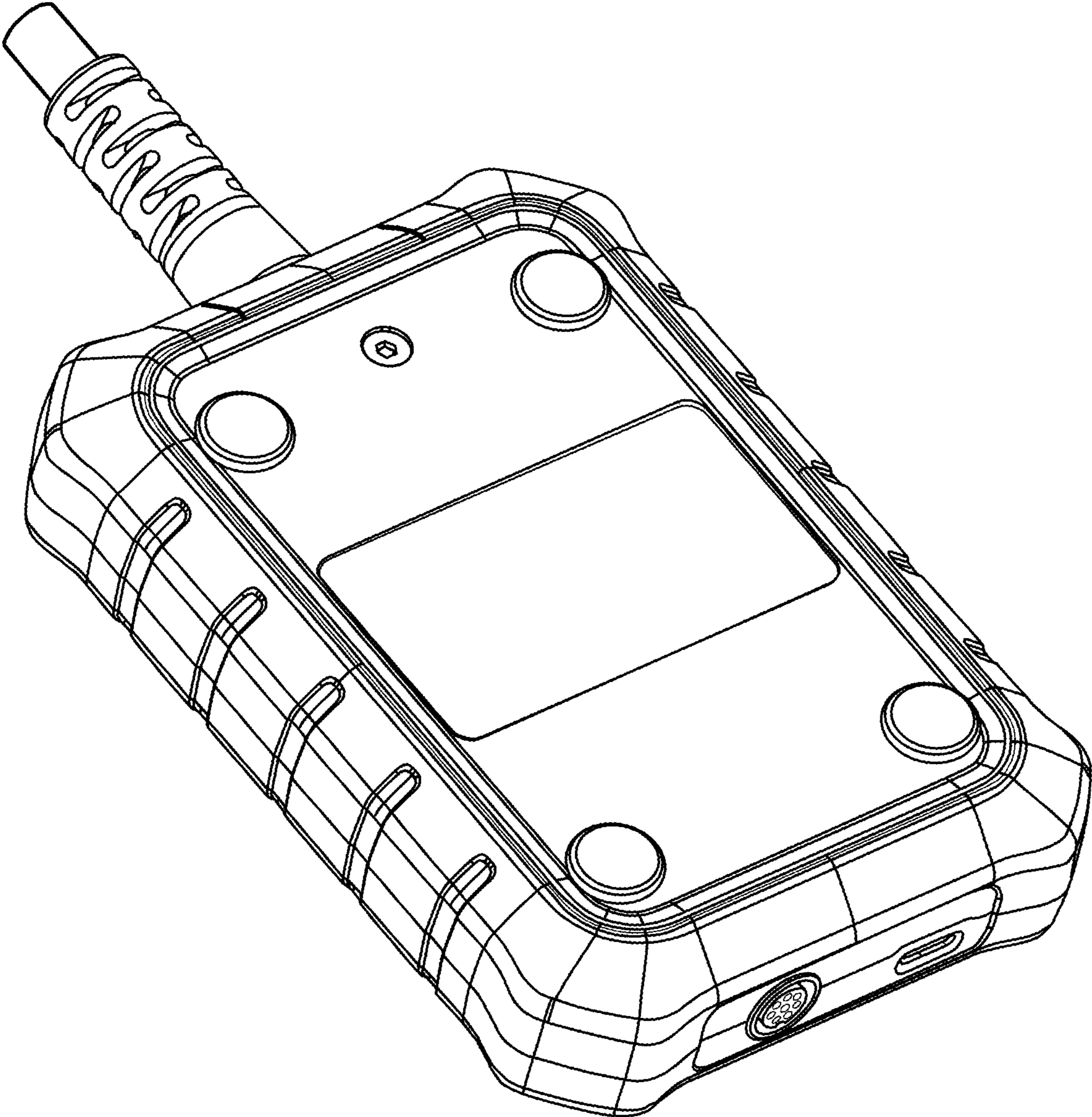


FIG. 7



**FIG. 8**