



US00D975002S

(12) **United States Design Patent**
Wu

(10) **Patent No.:** **US D975,002 S**

(45) **Date of Patent:** **** Jan. 10, 2023**

(54) **SOLAR LIGHT**

(71) Applicant: **Keyu Wu**, Beijing (CN)

(72) Inventor: **Xiaoling Wu**, Ninghai (CN)

(**) Term: **15 Years**

(21) Appl. No.: **29/781,489**

(22) Filed: **Apr. 30, 2021**

(51) **LOC (14) Cl.** **13-02**

(52) **U.S. Cl.**
USPC **D13/102; D26/63**

(58) **Field of Classification Search**
USPC D13/102, 101, 103, 107, 108, 110, 118,
D13/184, 199; D26/63, 67, 68, 71, 72,
D26/85

CPC H01L 31/00; H01L 31/18; H01L 31/042;
H01L 31/045; H01L 31/048; H01L
31/052; H01L 31/054; H01L 31/0475;
H01L 31/0485; H01M 10/052; H01M
10/465; H02S 30/10; H02S 30/20; H02S
10/40; H02S 40/42; Y02E 10/50; Y02E
10/52; Y10S 136/291; Y10S 136/293;
H02J 7/355; G06F 1/1628; F21S 8/006;
F21V 21/06; F21V 21/12

See application file for complete search history.

(56) **References Cited**

U.S. PATENT DOCUMENTS

D311,722 S * 10/1990 Cheng D13/102
D543,500 S * 5/2007 Parness D13/102

D575,223 S * 8/2008 Piper D13/102
D642,513 S * 8/2011 Chen D13/102
D724,011 S * 3/2015 Keller D13/102
D764,700 S * 8/2016 Chen D26/118
D829,956 S 10/2018 Liu
D837,437 S 1/2019 Liu
D841,219 S 2/2019 Chen
D892,380 S * 8/2020 Yan D26/65
D893,075 S * 8/2020 Kong D26/72
D914,261 S * 3/2021 Ouyang D26/65

* cited by examiner

Primary Examiner — Derrick E Holland

(74) *Attorney, Agent, or Firm* — Rumit Ranjit Kanakia

(57) **CLAIM**

The ornamental design for a solar light, as shown and described.

DESCRIPTION

FIG. 1 is a first perspective view of a solar light showing my new design;

FIG. 2 is a second perspective view thereof;

FIG. 3 is a front view thereof;

FIG. 4 is a back view thereof;

FIG. 5 is a left side view thereof;

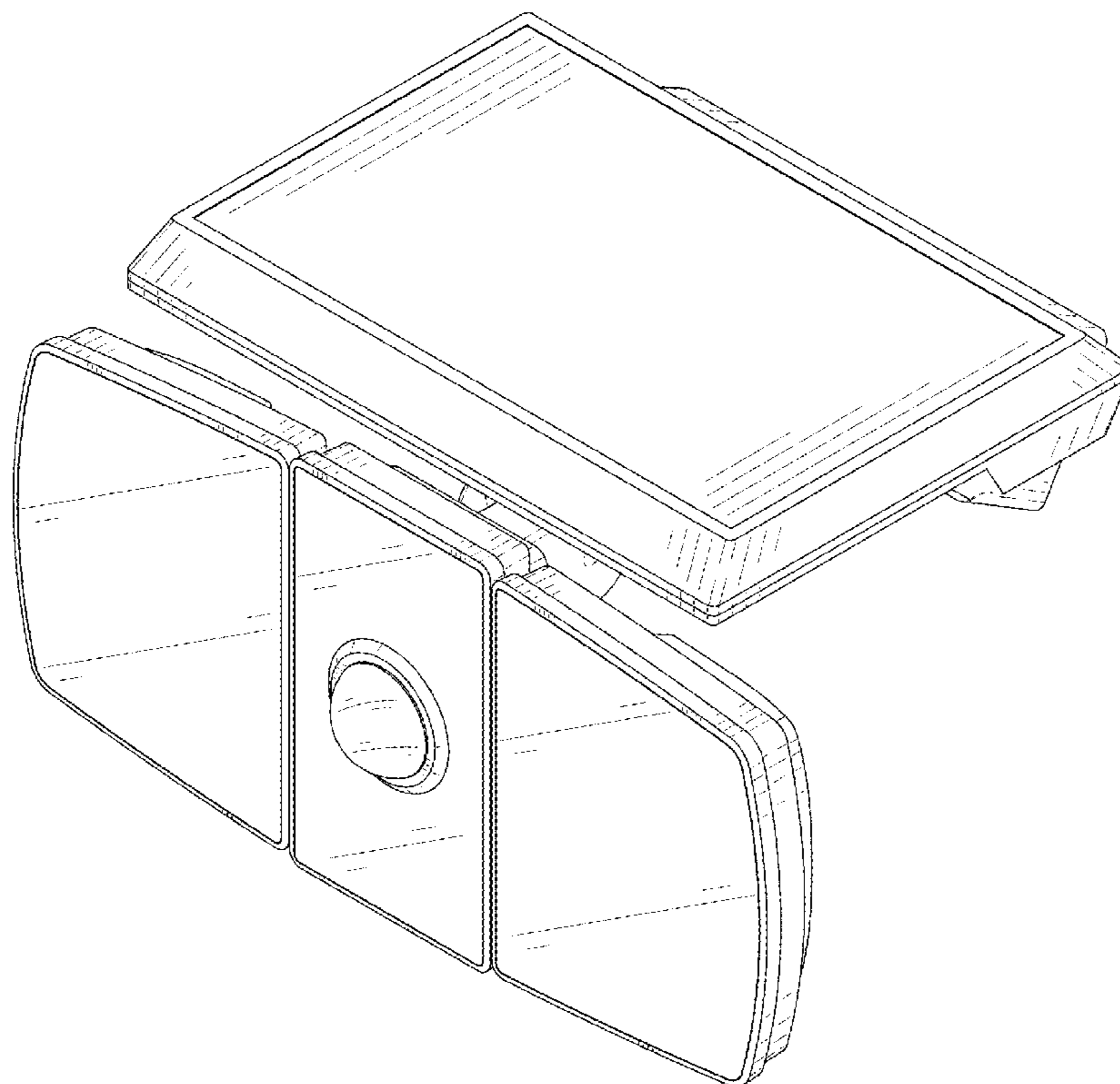
FIG. 6 is a right side view thereof;

FIG. 7 is a top view thereof; and,

FIG. 8 is a bottom view thereof.

The broken lines shown in the drawings depict portions of the solar light in which the design is embodied that form no part of the claimed design.

1 Claim, 8 Drawing Sheets



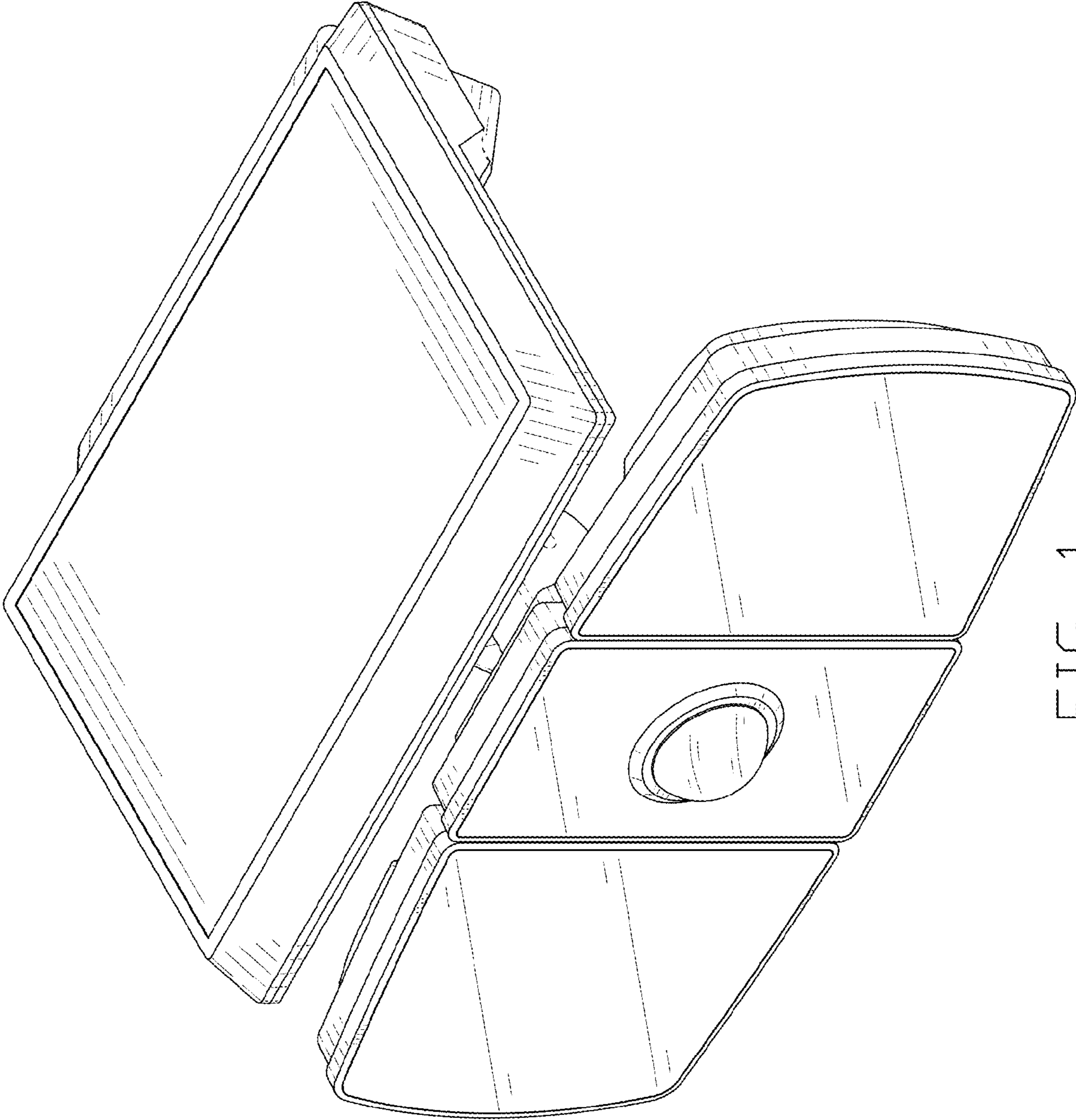


FIG. 1

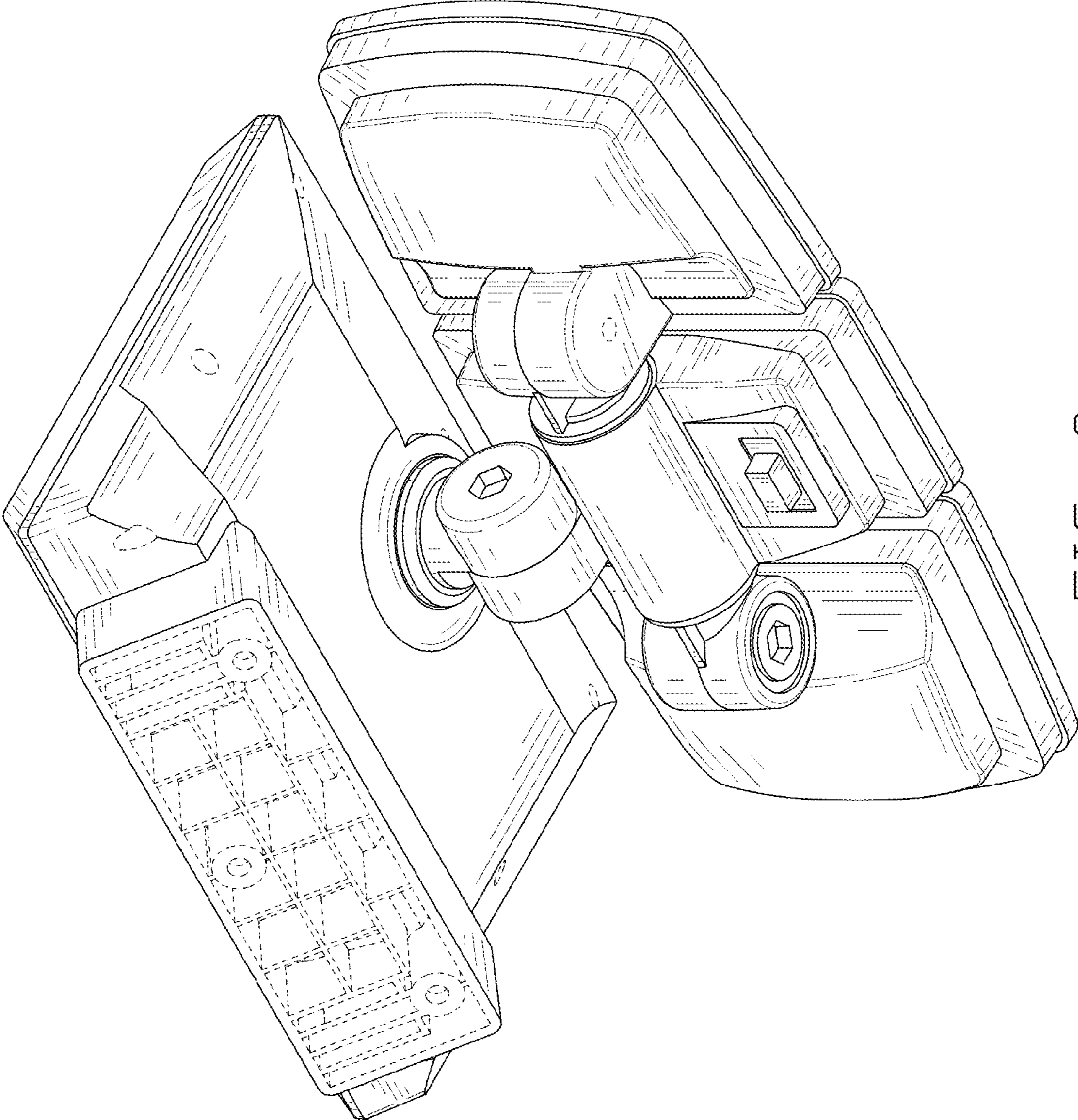


FIG. 2

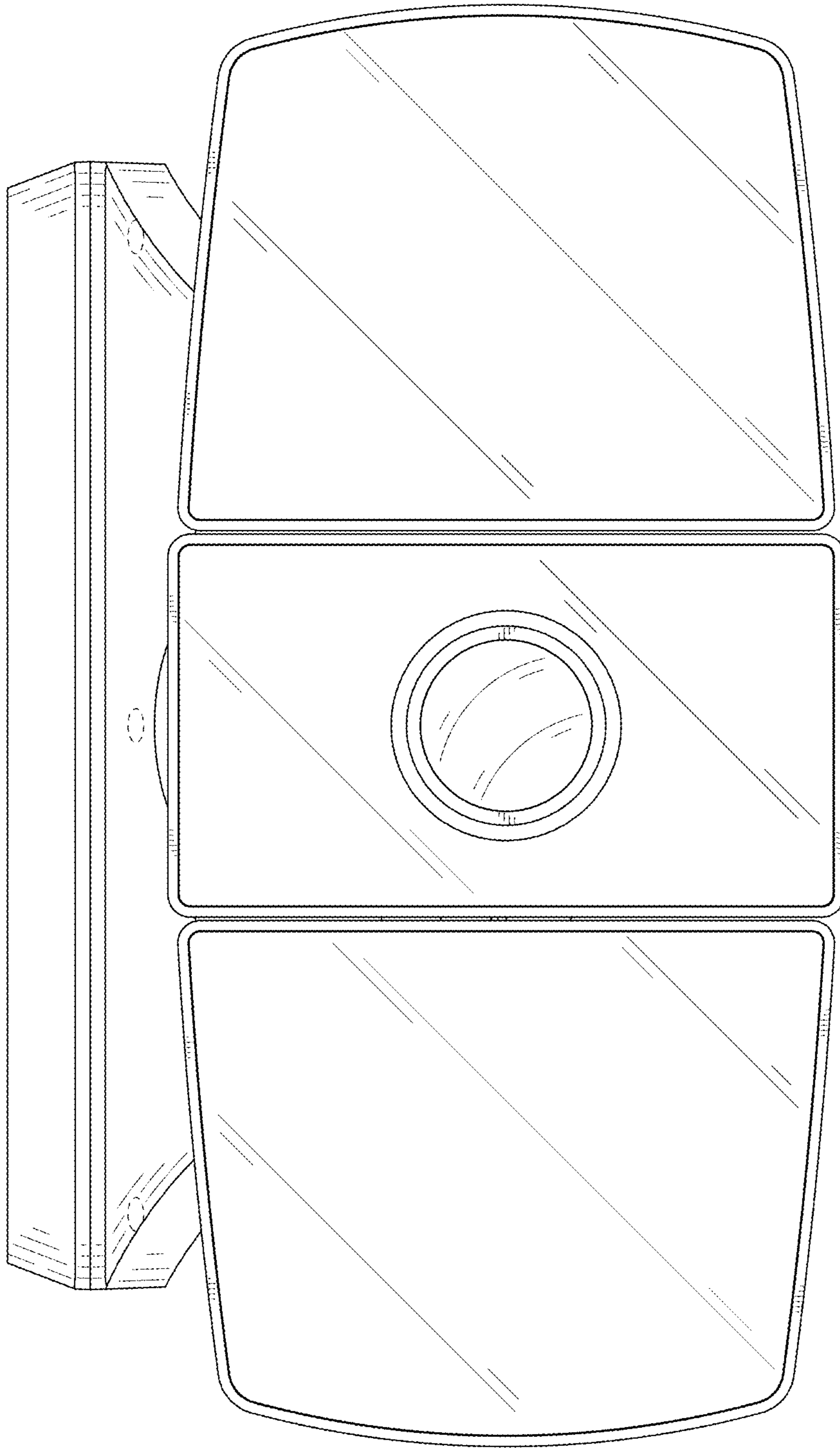


FIG. 3

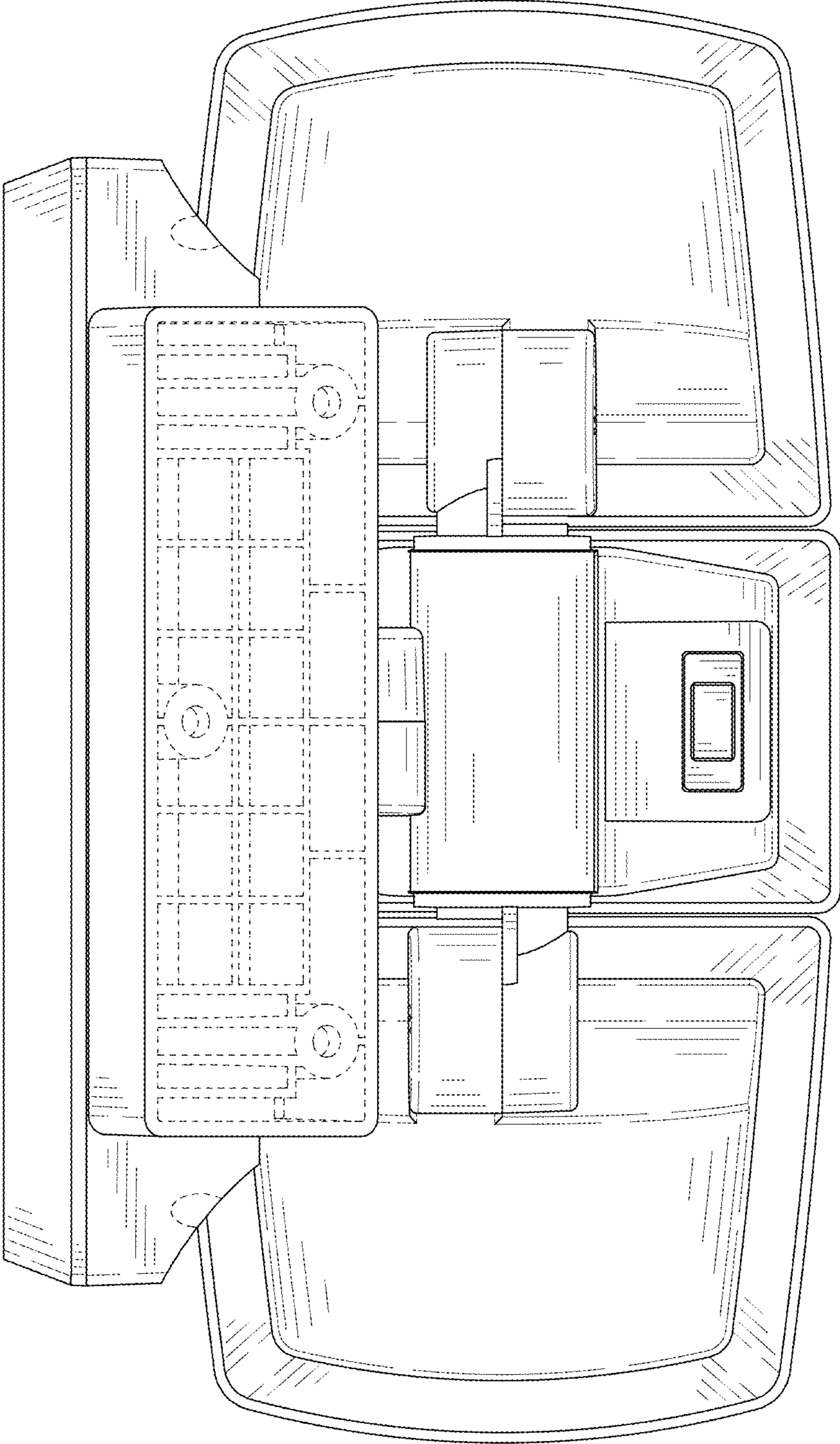


FIG. 4

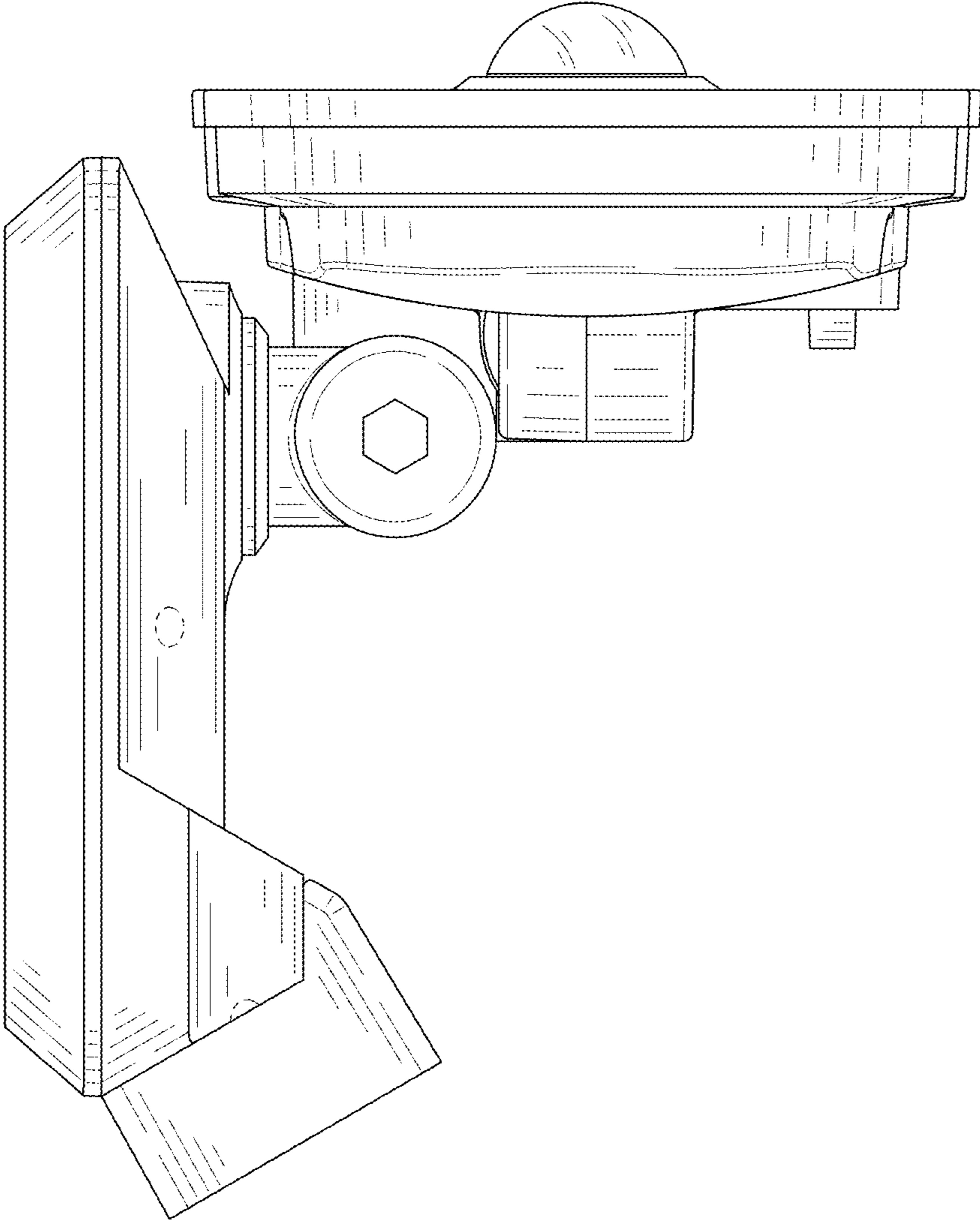


FIG. 5

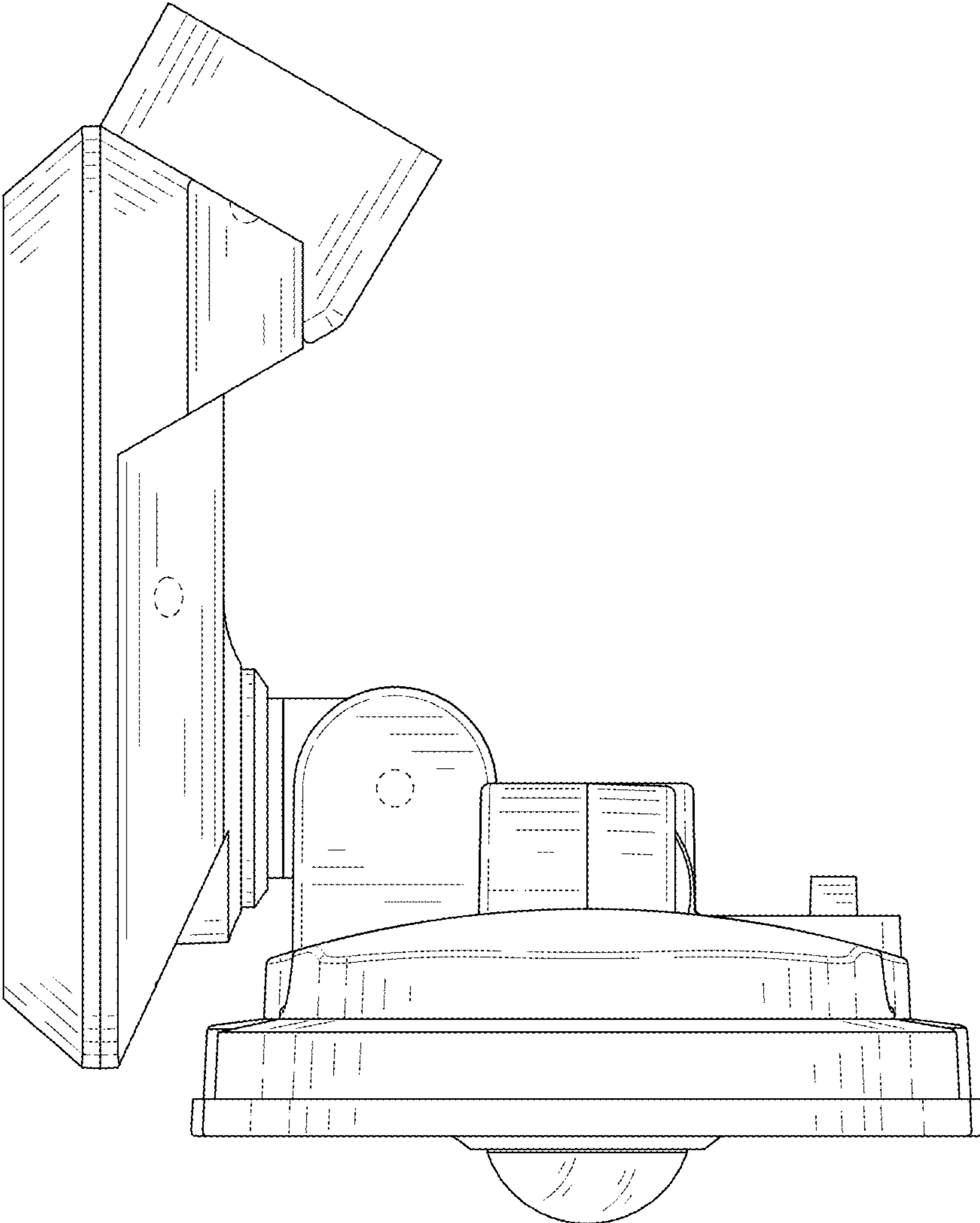


FIG. 6

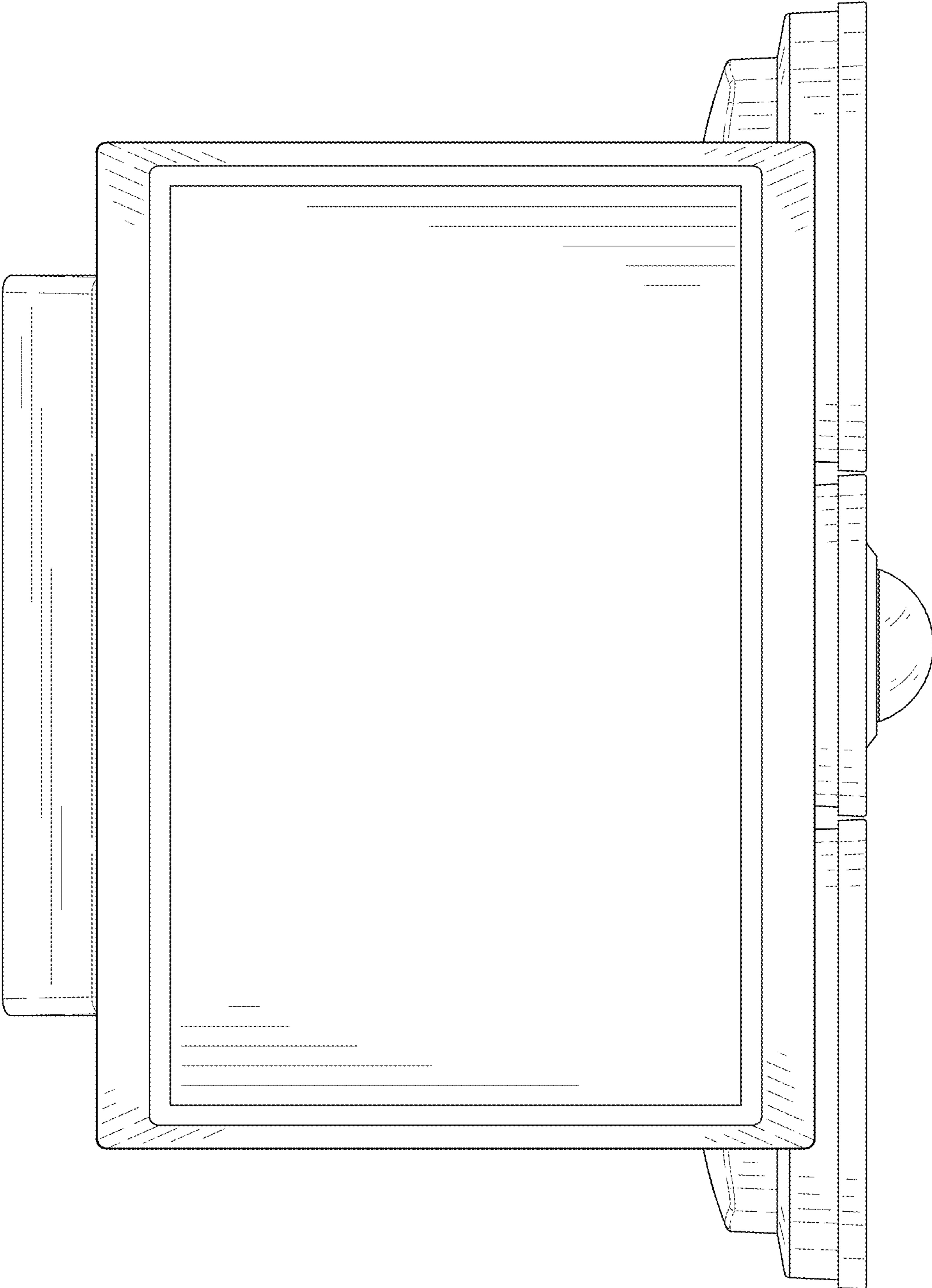


FIG. 7

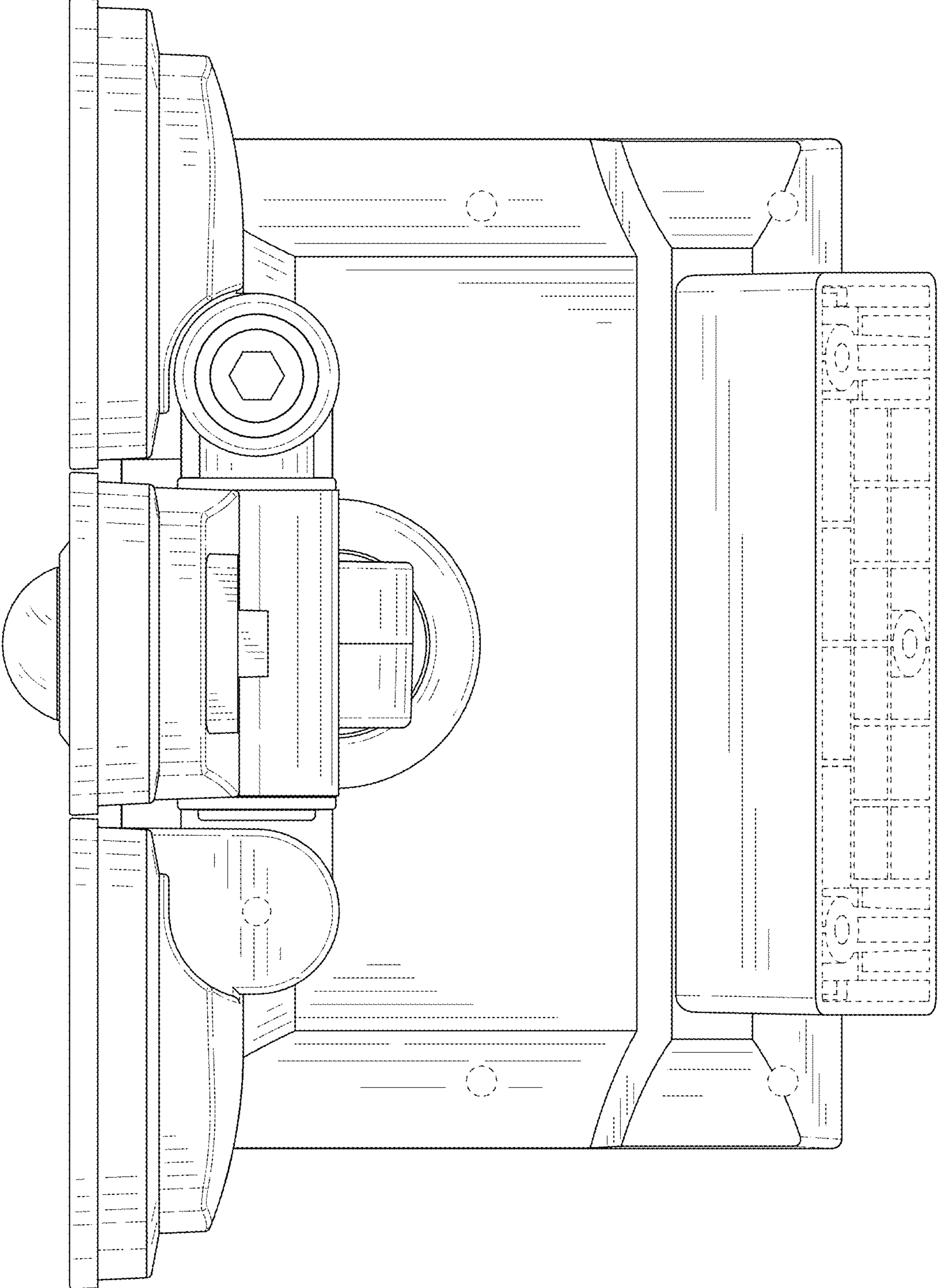


FIG. 8