

US00D975001S

(12) **United States Design Patent**  
**Wu**

(10) **Patent No.:** **US D975,001 S**

(45) **Date of Patent:** **\*\* Jan. 10, 2023**

(54) **SOLAR LIGHT**

(71) Applicant: **Xiaoling Wu**, Ninghai (CN)

(72) Inventor: **Xiaoling Wu**, Ninghai (CN)

(\*\*) Term: **15 Years**

(21) Appl. No.: **29/774,299**

(22) Filed: **Mar. 16, 2021**

(51) **LOC (14) Cl.** ..... **13-02**

(52) **U.S. Cl.**

USPC ..... **D13/102; D26/72**

(58) **Field of Classification Search**

USPC ..... D13/102, 101, 103, 107, 108, 110, 118,  
D13/184, 199; D26/63, 67, 68, 71, 72,  
D26/85

CPC ..... H01L 31/00; H01L 31/18; H01L 31/042;  
H01L 31/045; H01L 31/048; H01L  
31/052; H01L 31/054; H01L 31/0475;  
H01L 31/0485; H01M 10/052; H01M  
10/465; H02S 30/10; H02S 30/20; H02S  
10/40; H02S 40/42; Y02E 10/50; Y02E  
10/52; Y10S 136/291; Y10S 136/293;  
H02J 7/355; G06F 1/1628; F21S 8/006;  
F21V 21/06; F21V 21/12

See application file for complete search history.

(56) **References Cited**

**U.S. PATENT DOCUMENTS**

D311,722 S \* 10/1990 Cheng ..... D13/102  
D543,500 S \* 5/2007 Parness ..... D13/102

D575,223 S \* 8/2008 Piper ..... D13/102  
D642,513 S \* 8/2011 Chen ..... D13/102  
D724,011 S \* 3/2015 Keller ..... D13/102  
D764,700 S \* 8/2016 Chen ..... D26/118  
D875,991 S 2/2020 Wan  
D892,380 S \* 8/2020 Yan ..... D26/65  
D893,075 S \* 8/2020 Kong ..... D26/72  
D897,588 S 9/2020 Liu  
D914,261 S \* 3/2021 Ouyang ..... D26/65

\* cited by examiner

*Primary Examiner* — Derrick E Holland

(74) *Attorney, Agent, or Firm* — Rumit Ranjit Kanakia

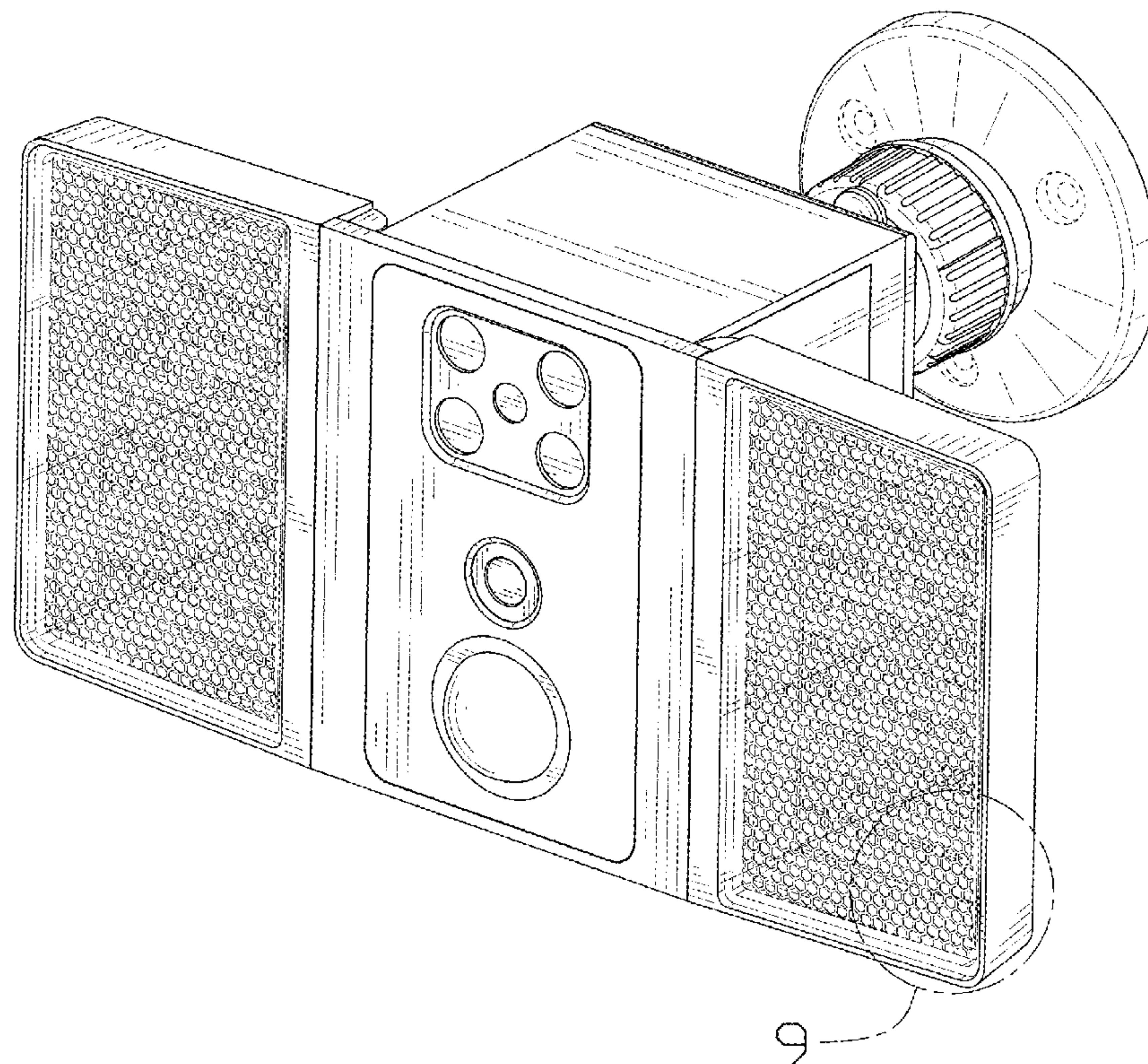
(57) **CLAIM**

The ornamental design for a solar light, as shown and described.

**DESCRIPTION**

FIG. 1 is a first perspective view of a solar light showing my new design;  
FIG. 2 is a second perspective view thereof;  
FIG. 3 is a front view thereof;  
FIG. 4 is a back view thereof;  
FIG. 5 is a left side view thereof;  
FIG. 6 is a right side view thereof;  
FIG. 7 is a top view thereof;  
FIG. 8 is a bottom view thereof; and,  
FIG. 9 is an enlarged view of the selected portion in FIG. 1.  
The broken lines shown in the drawings depict portions of the solar light in which the design is embodied that form no part of the claimed design.

**1 Claim, 9 Drawing Sheets**





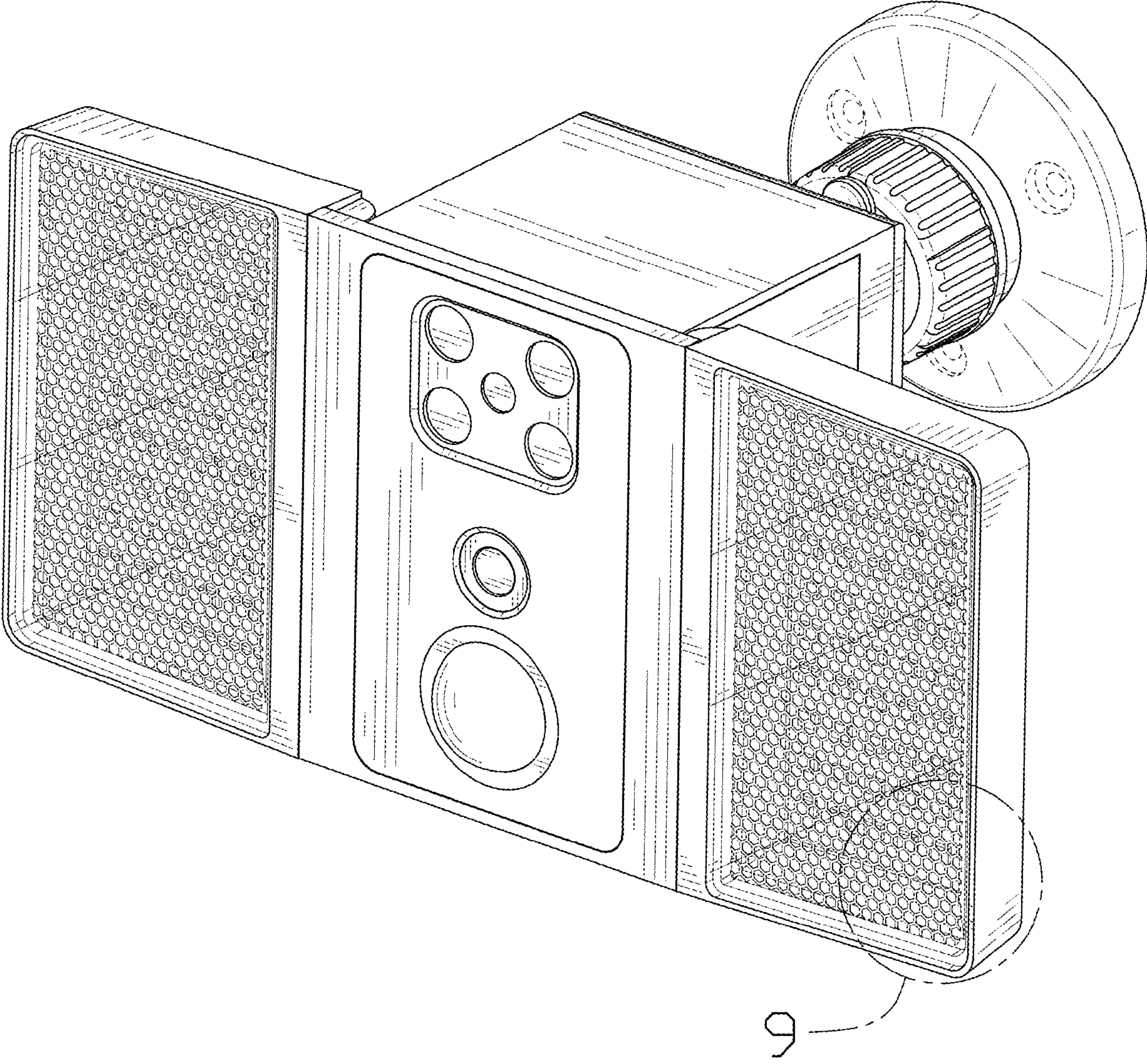


FIG. 1

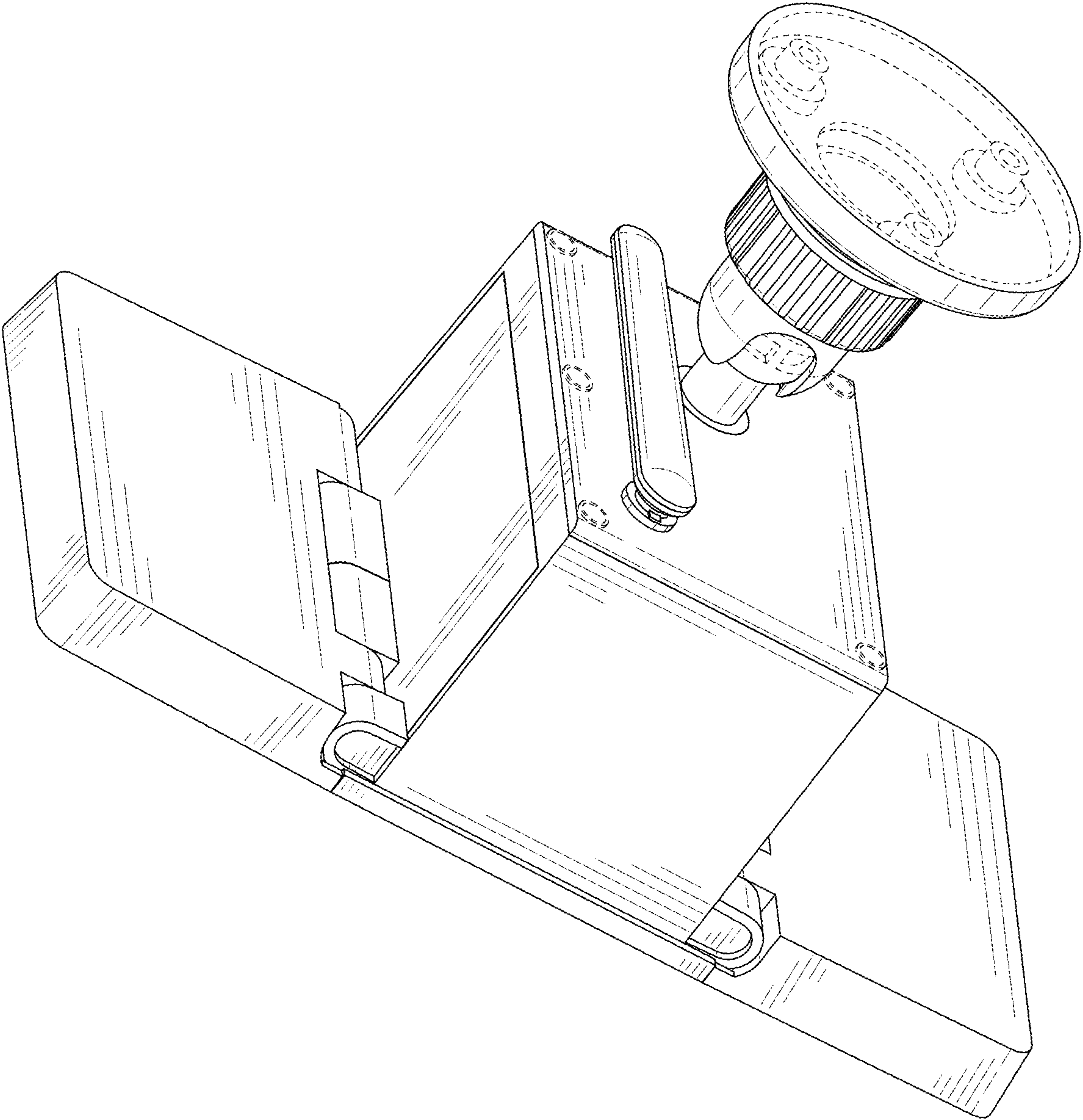


FIG. 2



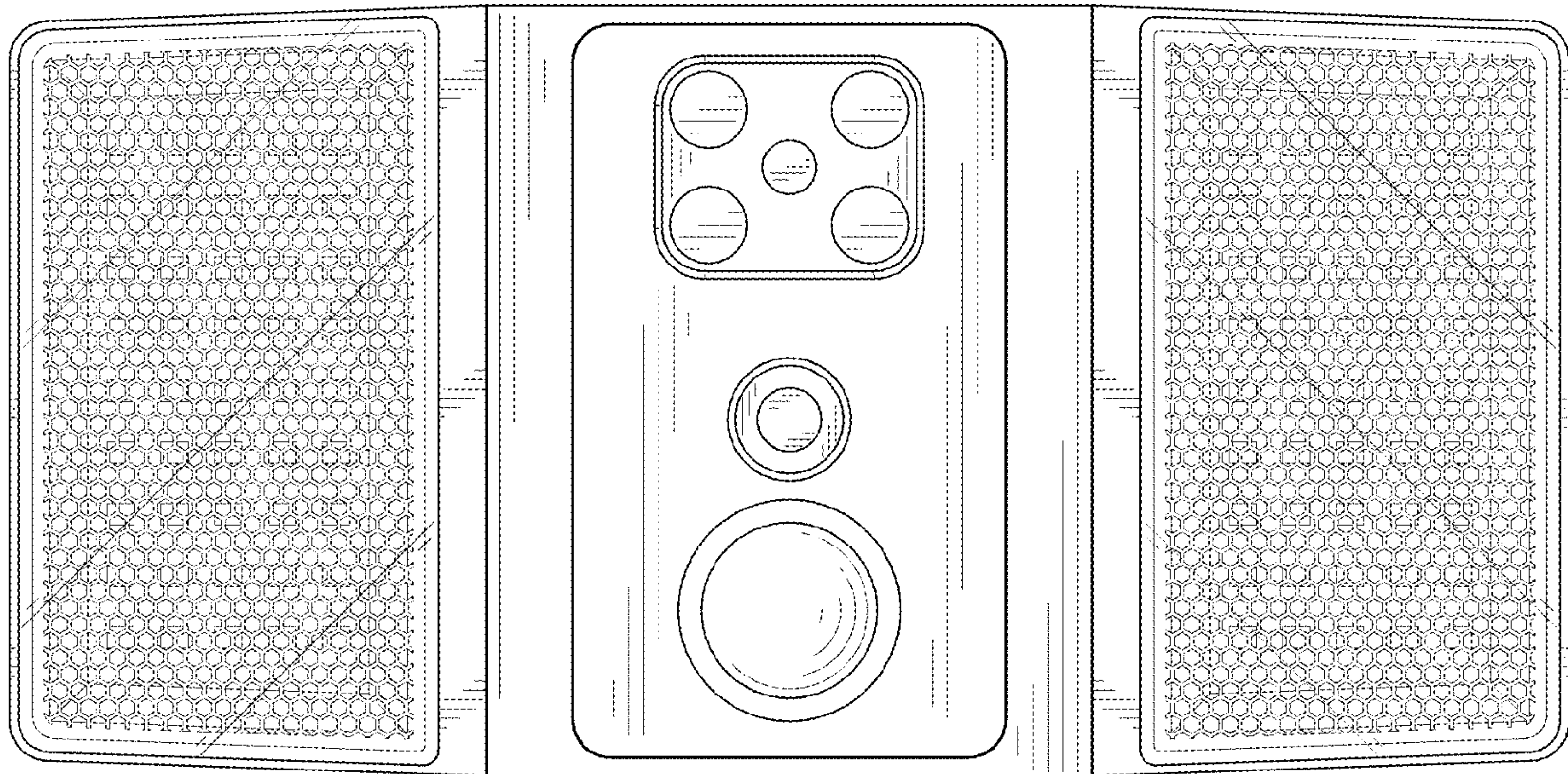


FIG. 3

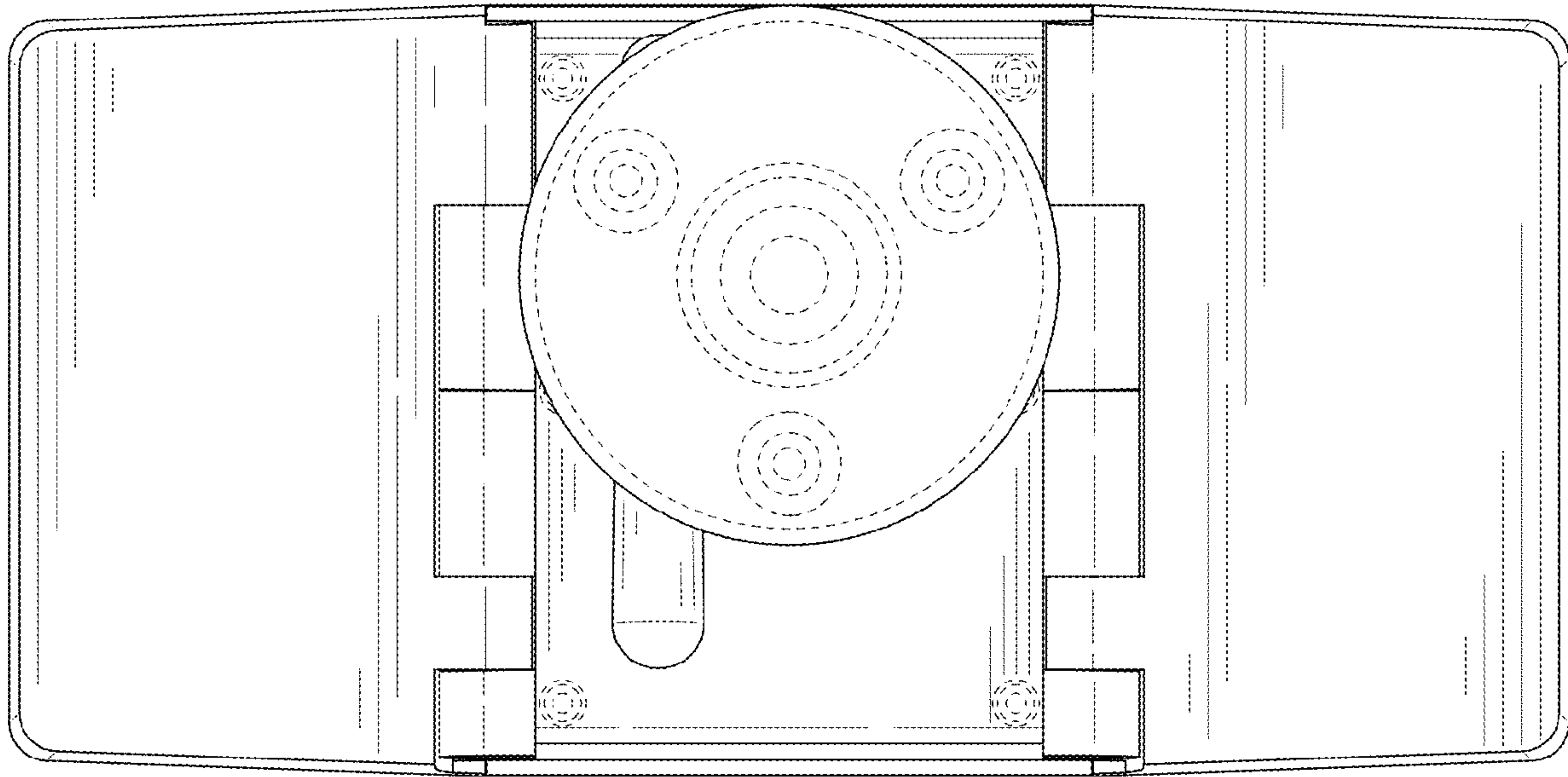


FIG. 4

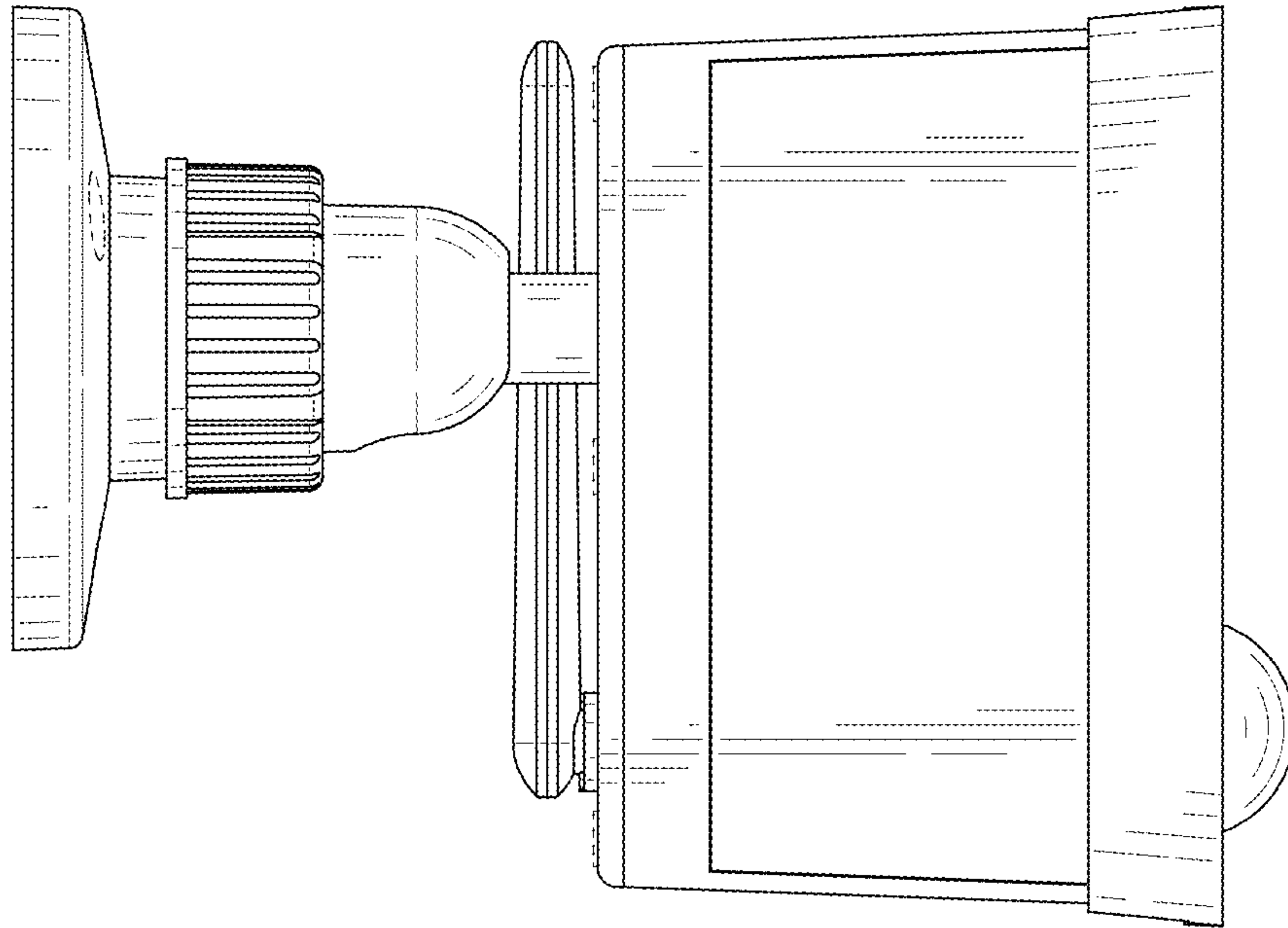


FIG. 5

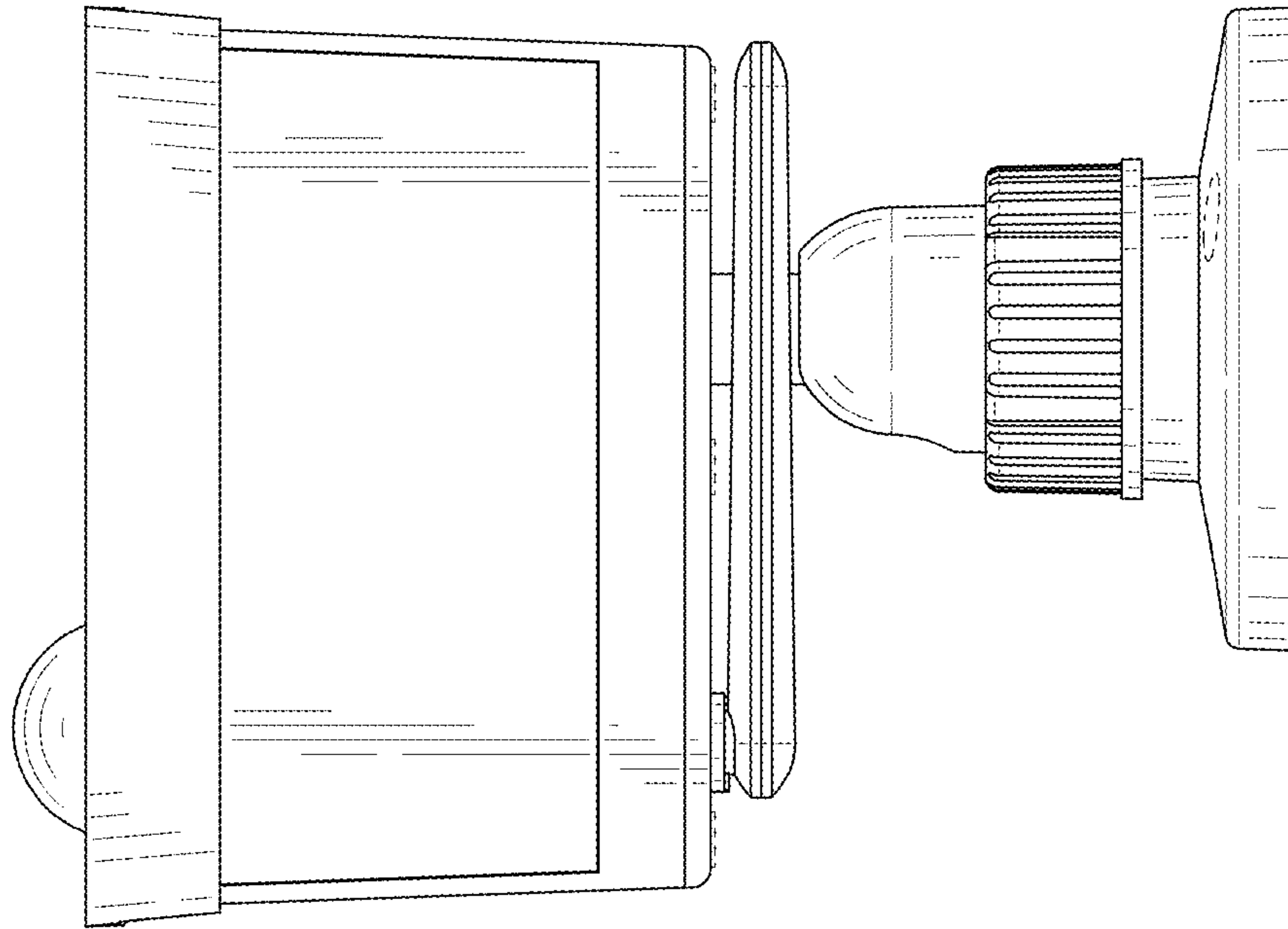


FIG. 6

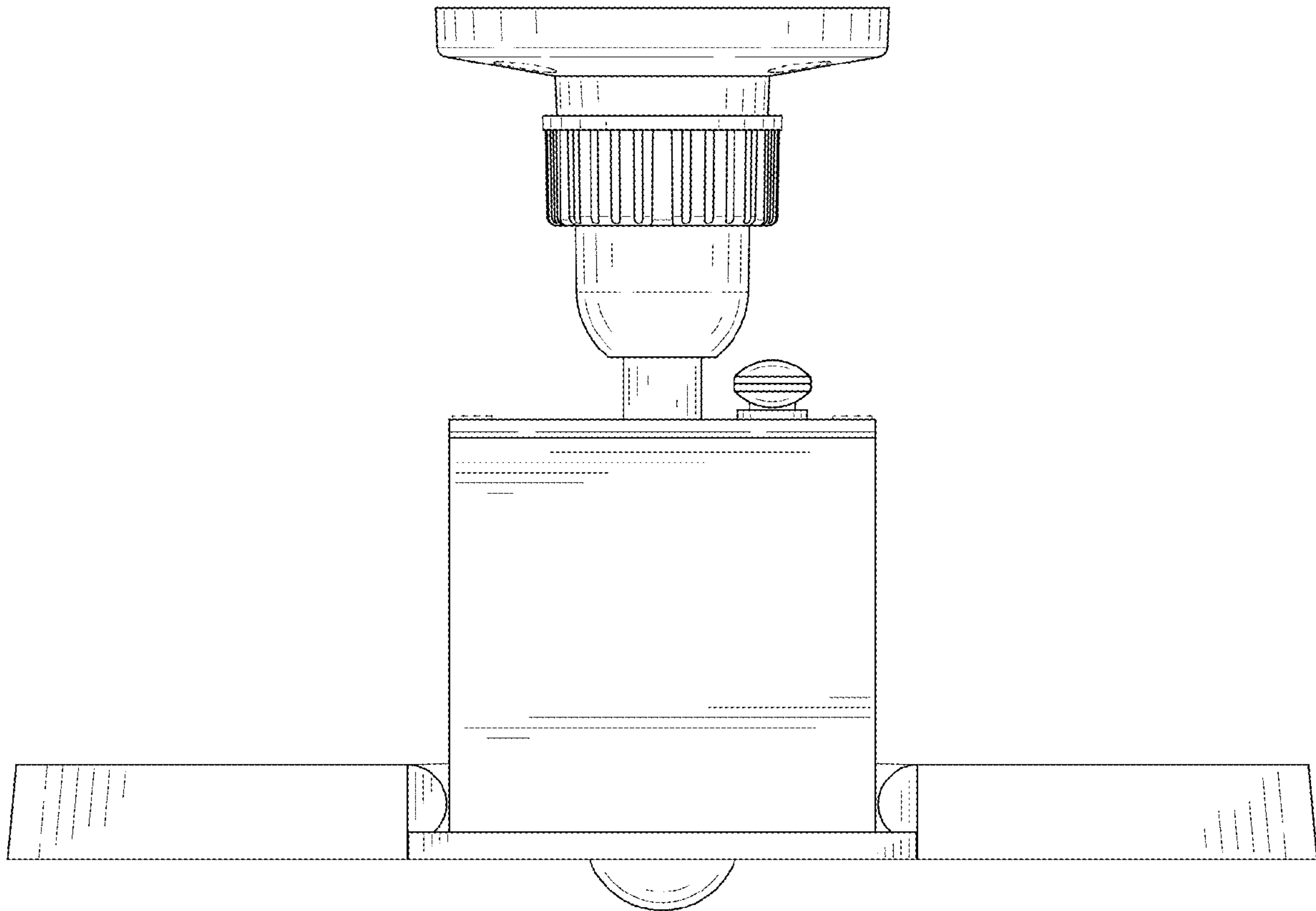


FIG. 7



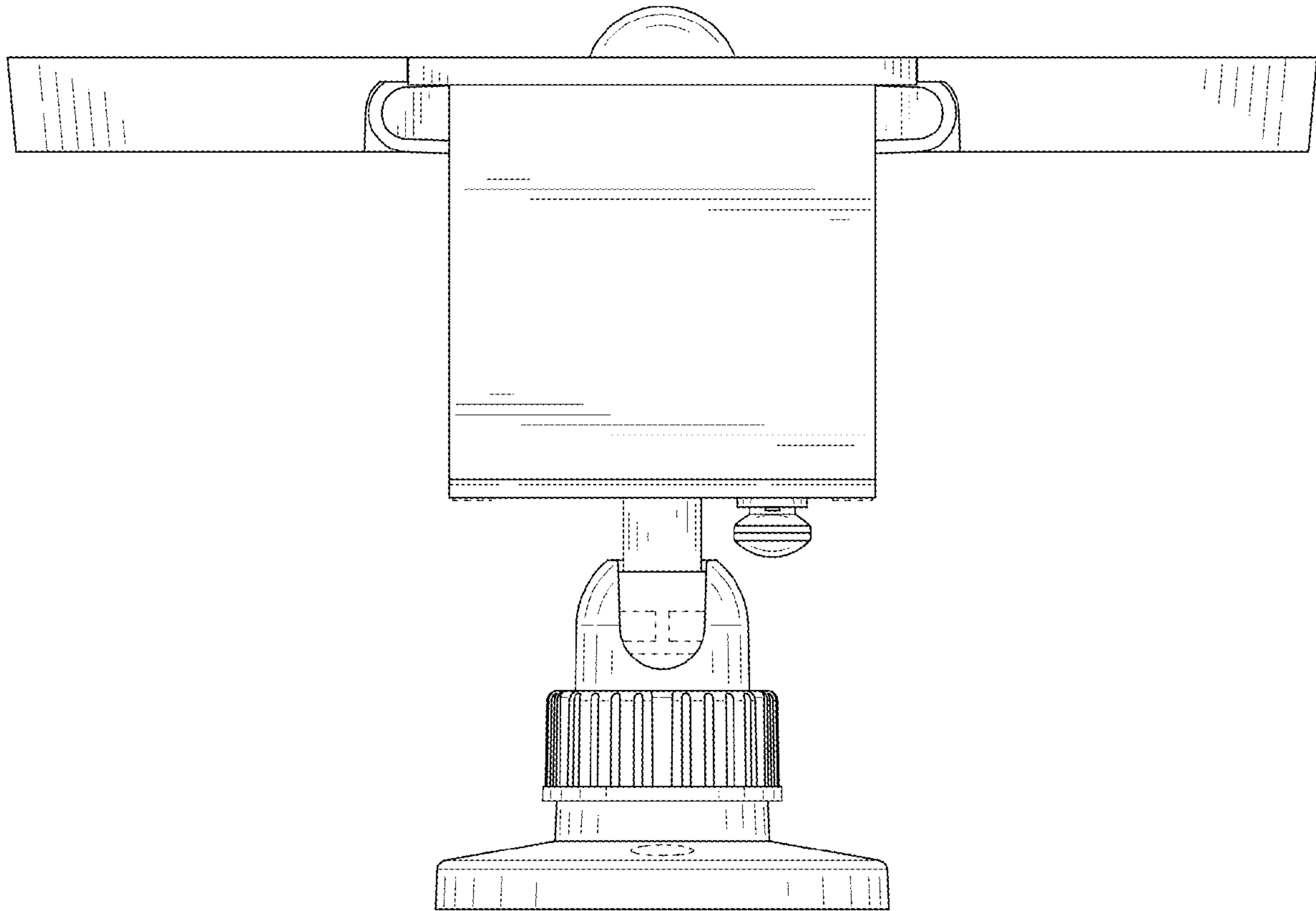


FIG. 8

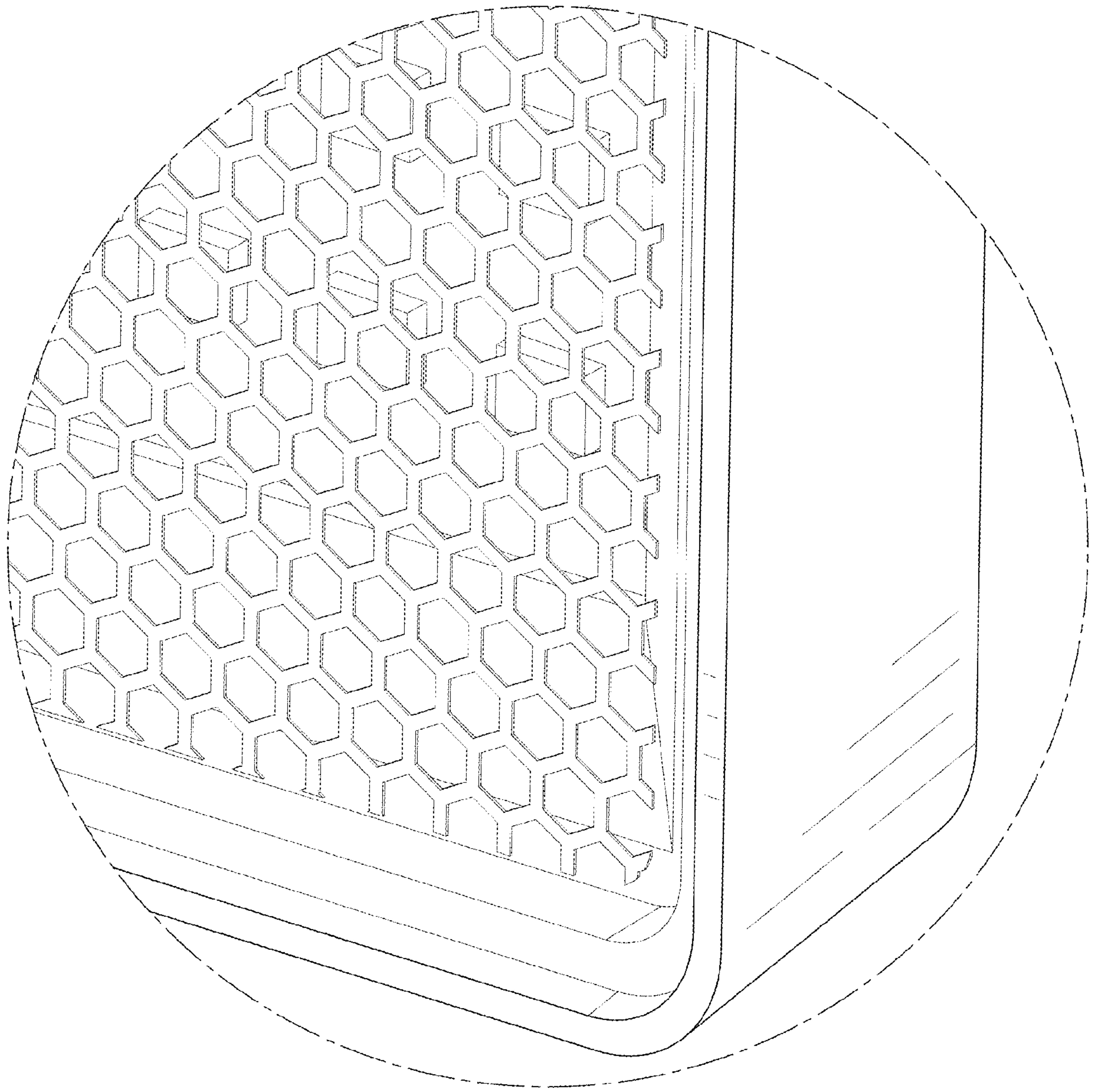


FIG. 9