



US00D974999S

(12) **United States Design Patent**
Sato et al.

(10) **Patent No.:** **US D974,999 S**
(45) **Date of Patent:** **** *Jan. 10, 2023**

(54) **AUTOMOBILE TIRE**

(71) Applicant: **THE YOKOHAMA RUBBER CO., LTD.**, Tokyo (JP)

(72) Inventors: **Shun Sato**, Hiratsuka (JP); **Kotaro Iwabuchi**, Tokyo (JP)

(73) Assignee: **THE YOKOHAMA RUBBER CO., LTD.**, Tokyo (JP)

(*) Notice: This patent is subject to a terminal disclaimer.

(**) Term: **15 Years**

(21) Appl. No.: **29/749,067**

(22) Filed: **Sep. 2, 2020**

(30) **Foreign Application Priority Data**

Mar. 2, 2020 (JP) 2020-004086 D

(51) **LOC (14) Cl.** **12-15**

(52) **U.S. Cl.**
USPC **D12/594**

(58) **Field of Classification Search**
USPC D12/568-605, 900
CPC Y10T 152/10027; B60C 1/0016; B60C 11/0306; B60C 11/0302; B60C 3/06; B60C 9/17

See application file for complete search history.

(56) **References Cited**

U.S. PATENT DOCUMENTS

D428,836 S * 8/2000 Grosskopf D12/580
D499,375 S * 12/2004 Gordon D12/900

D715,216 S * 10/2014 Dixon D12/600
D729,149 S * 5/2015 Honda D12/574
D760,150 S * 6/2016 Koog D12/583
D767,475 S * 9/2016 Scheifele D12/580
D829,642 S * 10/2018 Farinelle D12/594
D842,233 S * 3/2019 Simonini D12/600
D863,212 S * 10/2019 Geng D12/587
D867,271 S * 11/2019 Kristen D12/588

* cited by examiner

Primary Examiner — John A Voytek

(74) *Attorney, Agent, or Firm* — Banner & Witcoff, Ltd.

(57) **CLAIM**

The ornamental design for an automobile tire, as shown and described.

DESCRIPTION

FIG. 1 is a perspective view of an automobile tire showing our design;

FIG. 2 is a front view thereof;

FIG. 3 is a rear view thereof;

FIG. 4 is a right side view thereof;

FIG. 5 is a left side view thereof;

FIG. 6 is a top view thereof;

FIG. 7 is a bottom view thereof;

FIG. 8 is a partially enlarged view of a portion defined by lines 8-8 shown in FIG. 1;

FIG. 9 is a partially enlarged view of a portion defined by lines 9-9 shown in FIG. 2; and,

FIG. 10 is a cross sectional view of a portion defined by lines 10-10 shown in FIG. 9.

In the drawings, the even length style broken lines depict environmental subject matter only and form no part of the claimed design.

1 Claim, 10 Drawing Sheets

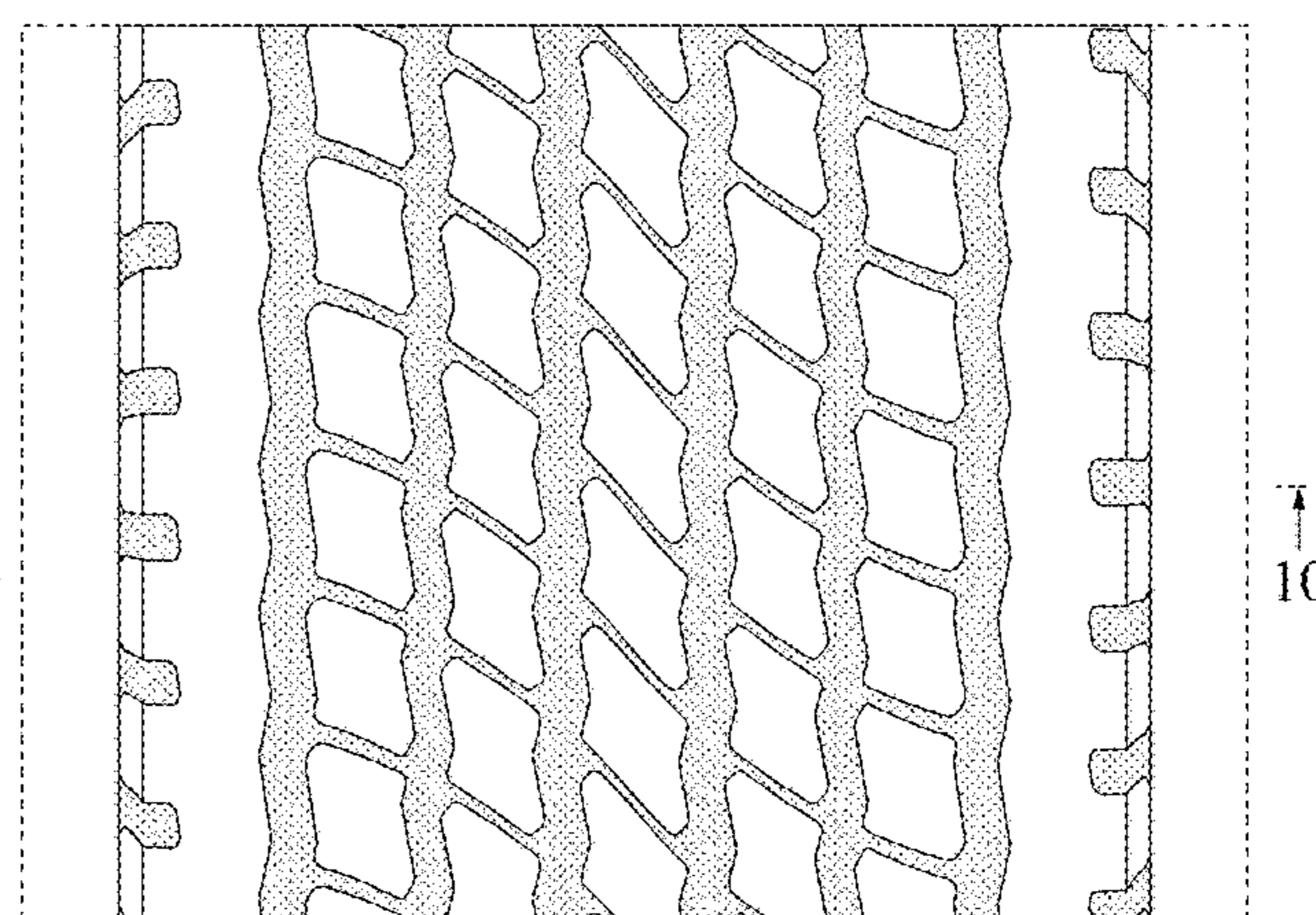
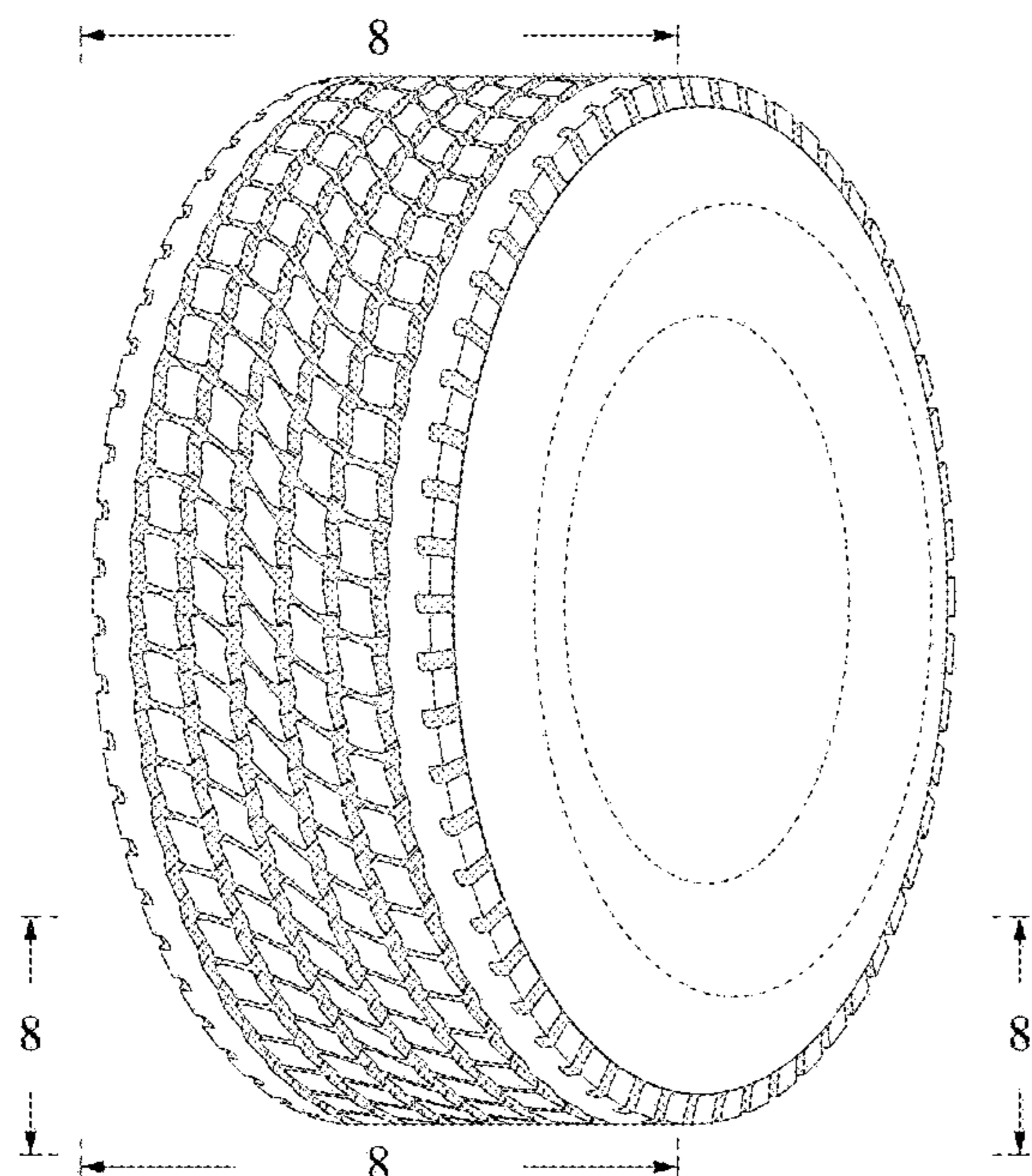


FIG. 1

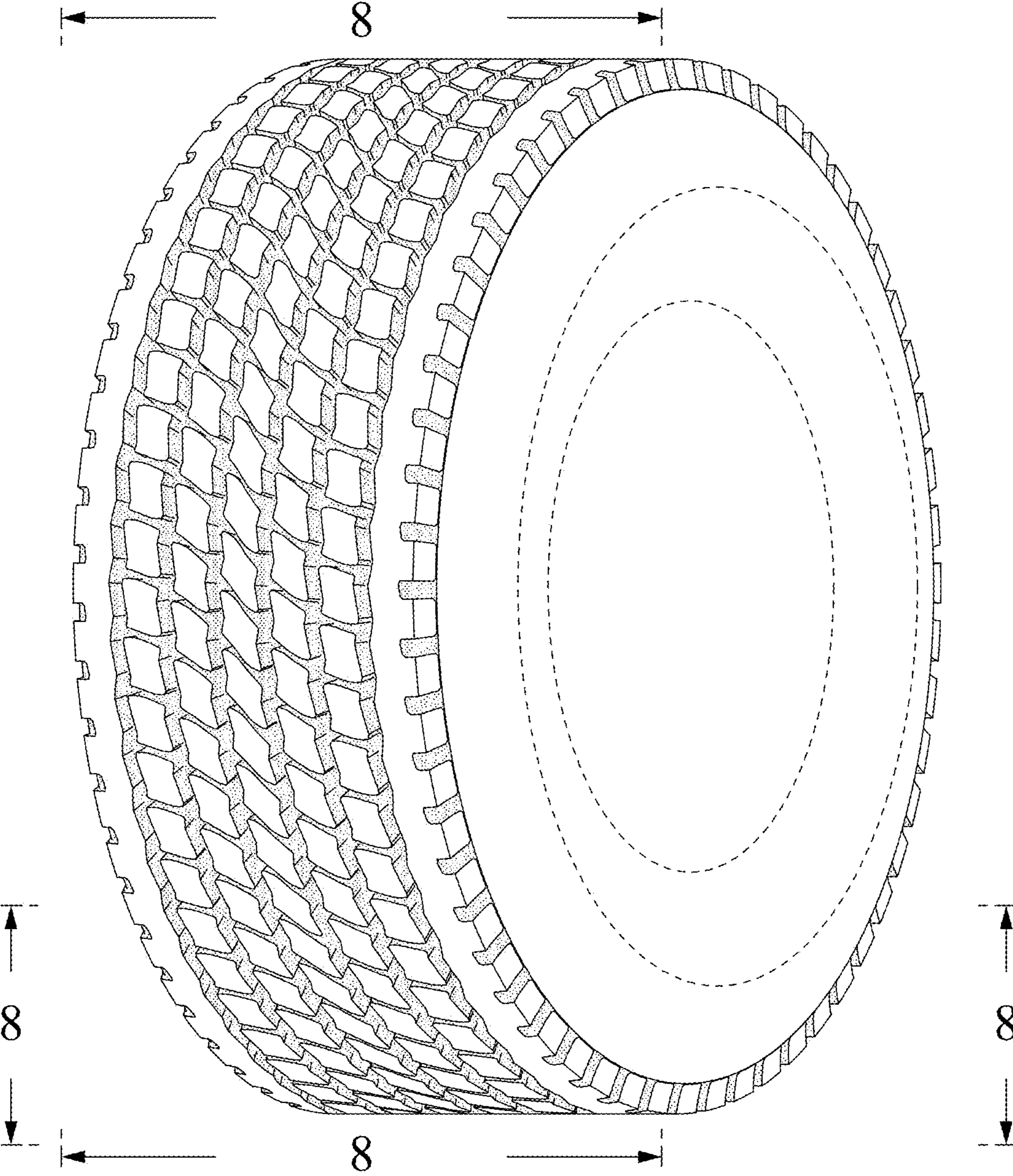


FIG. 2

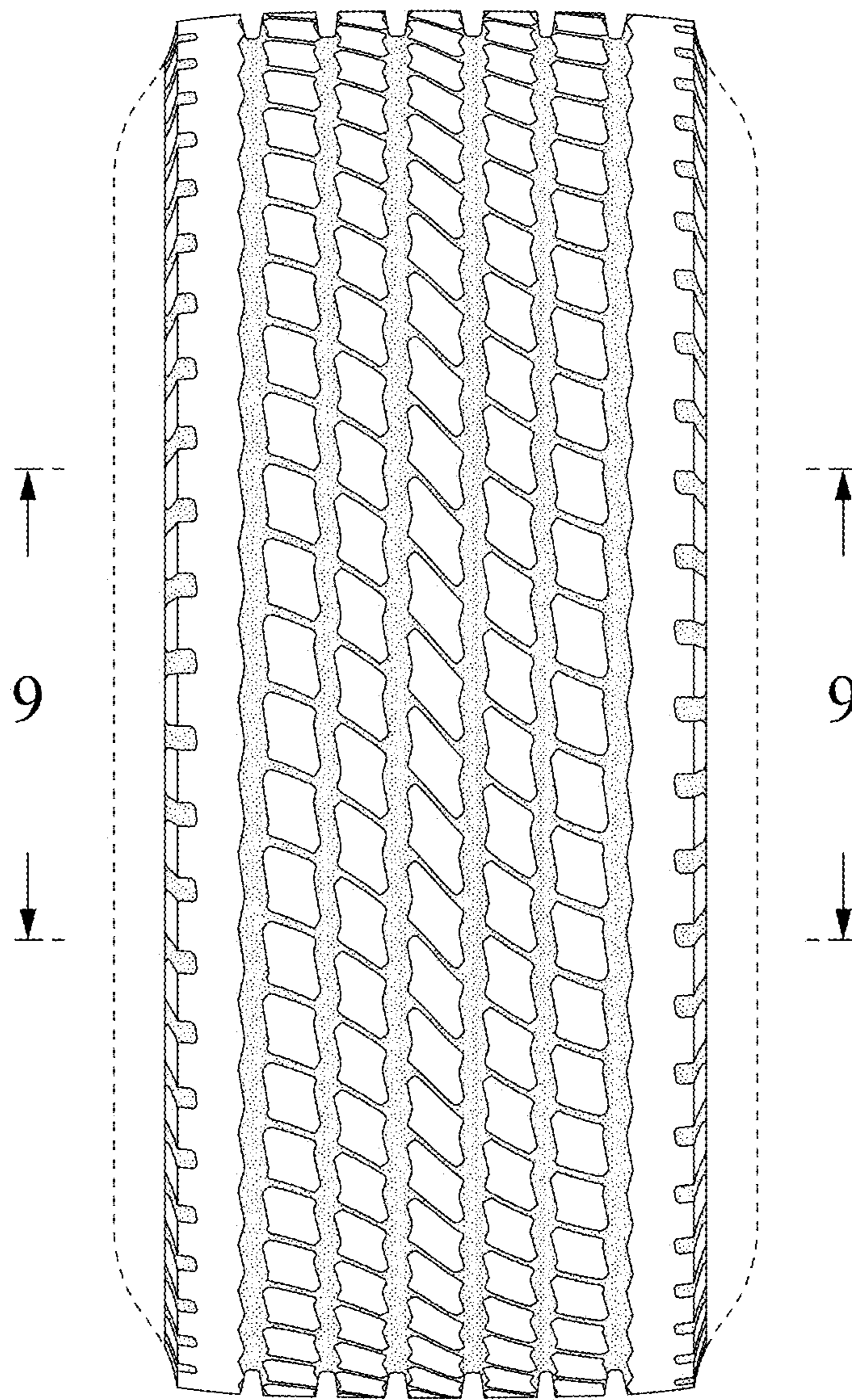


FIG. 3

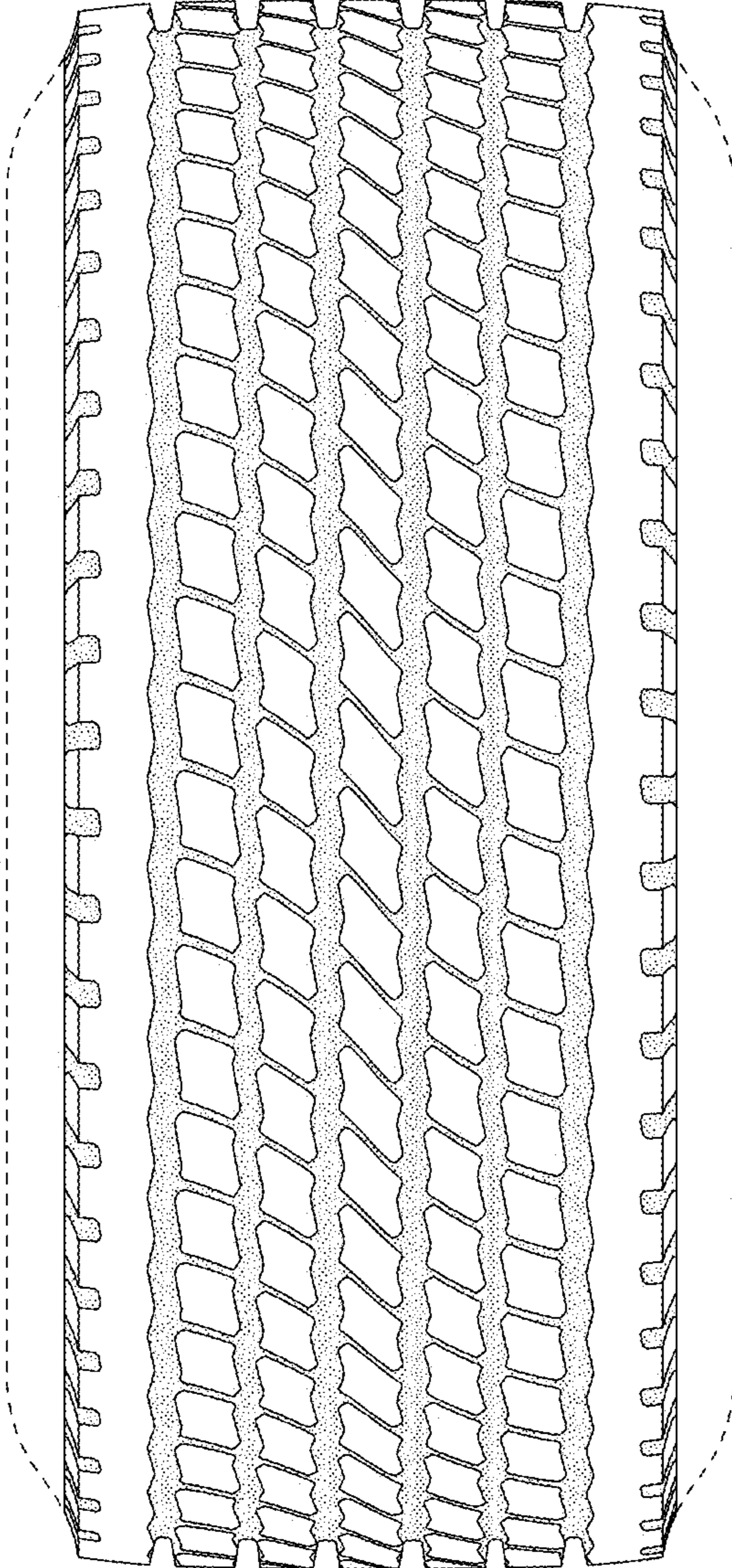


FIG. 4

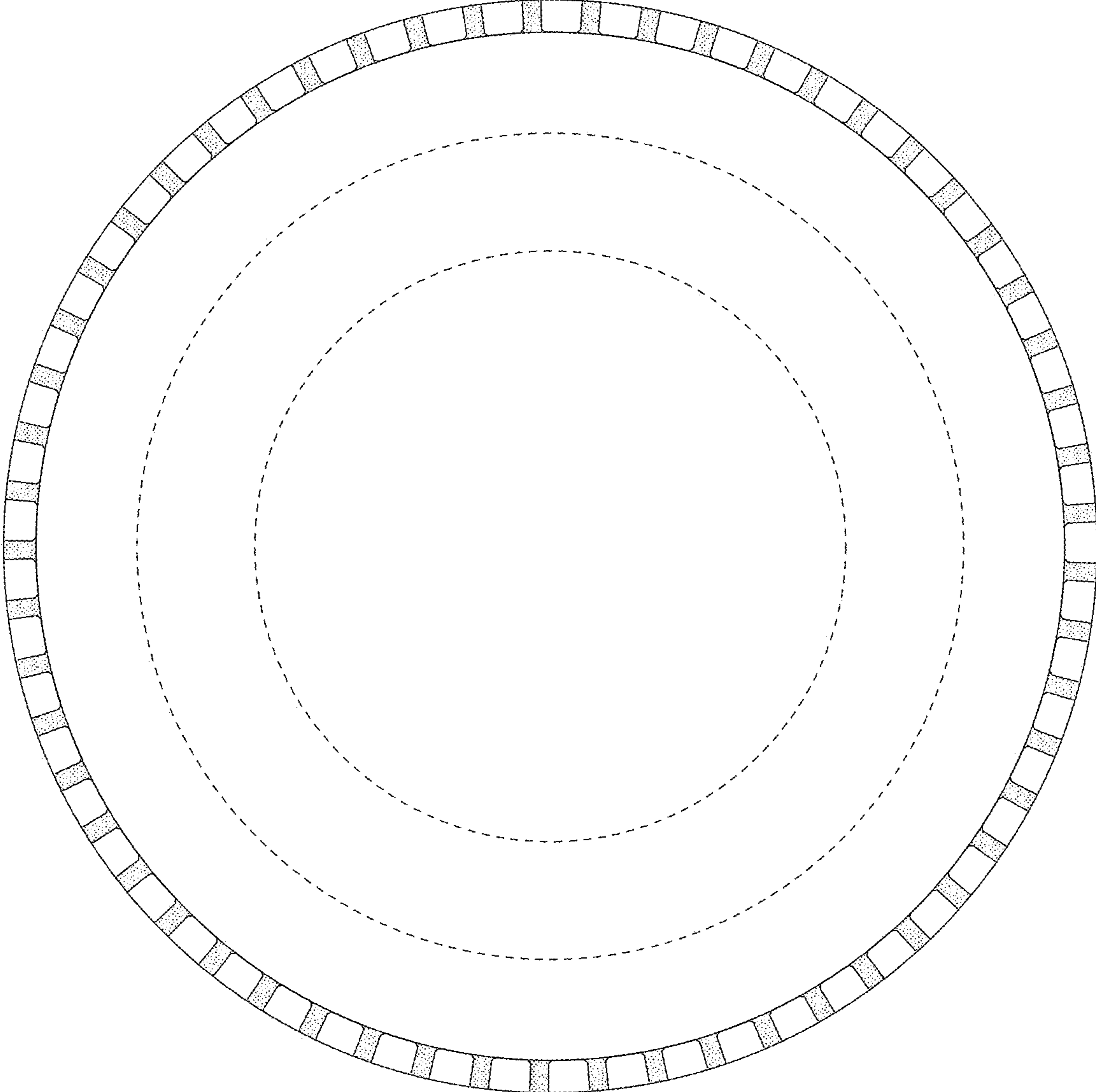


FIG. 5

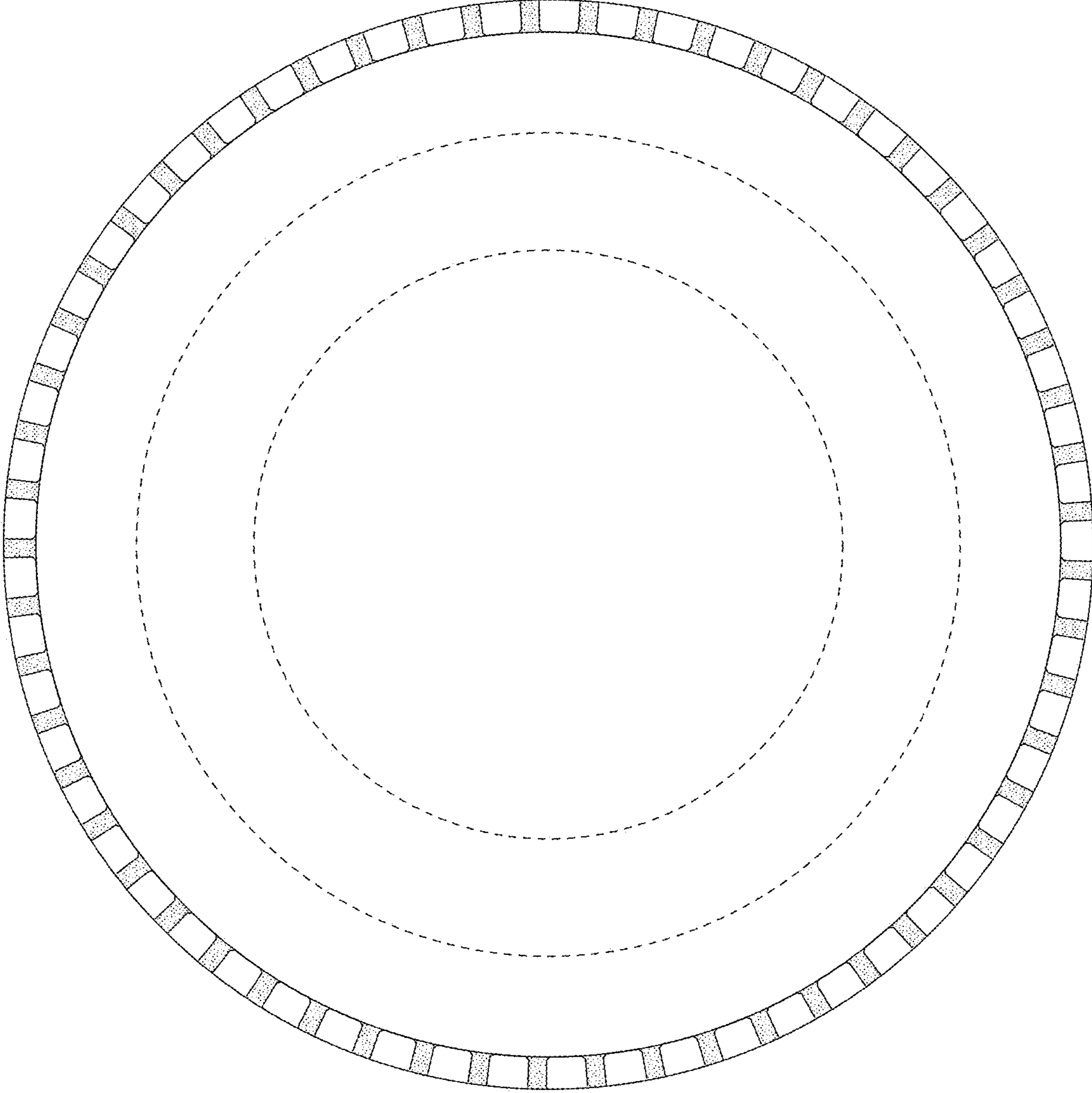


FIG. 6

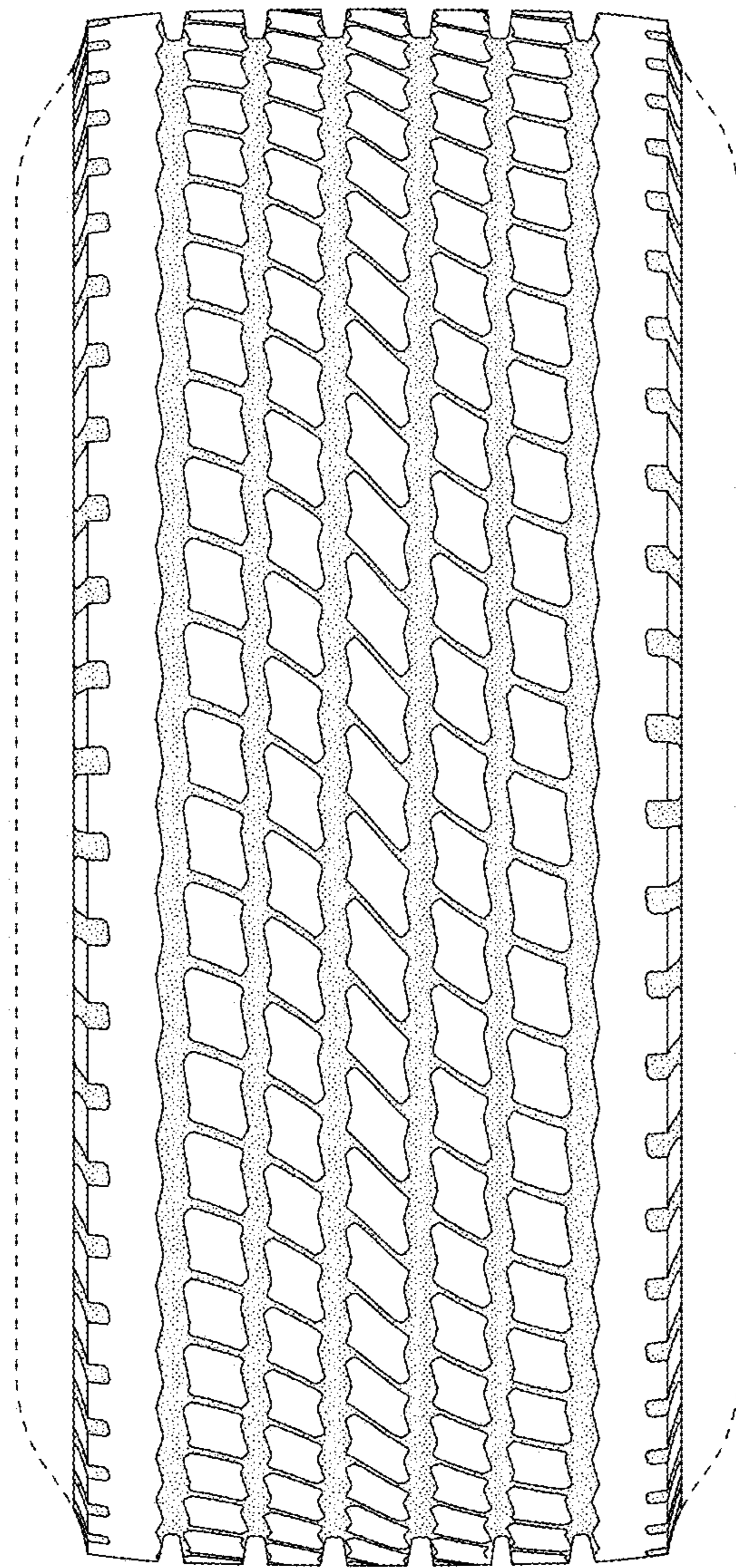


FIG. 7

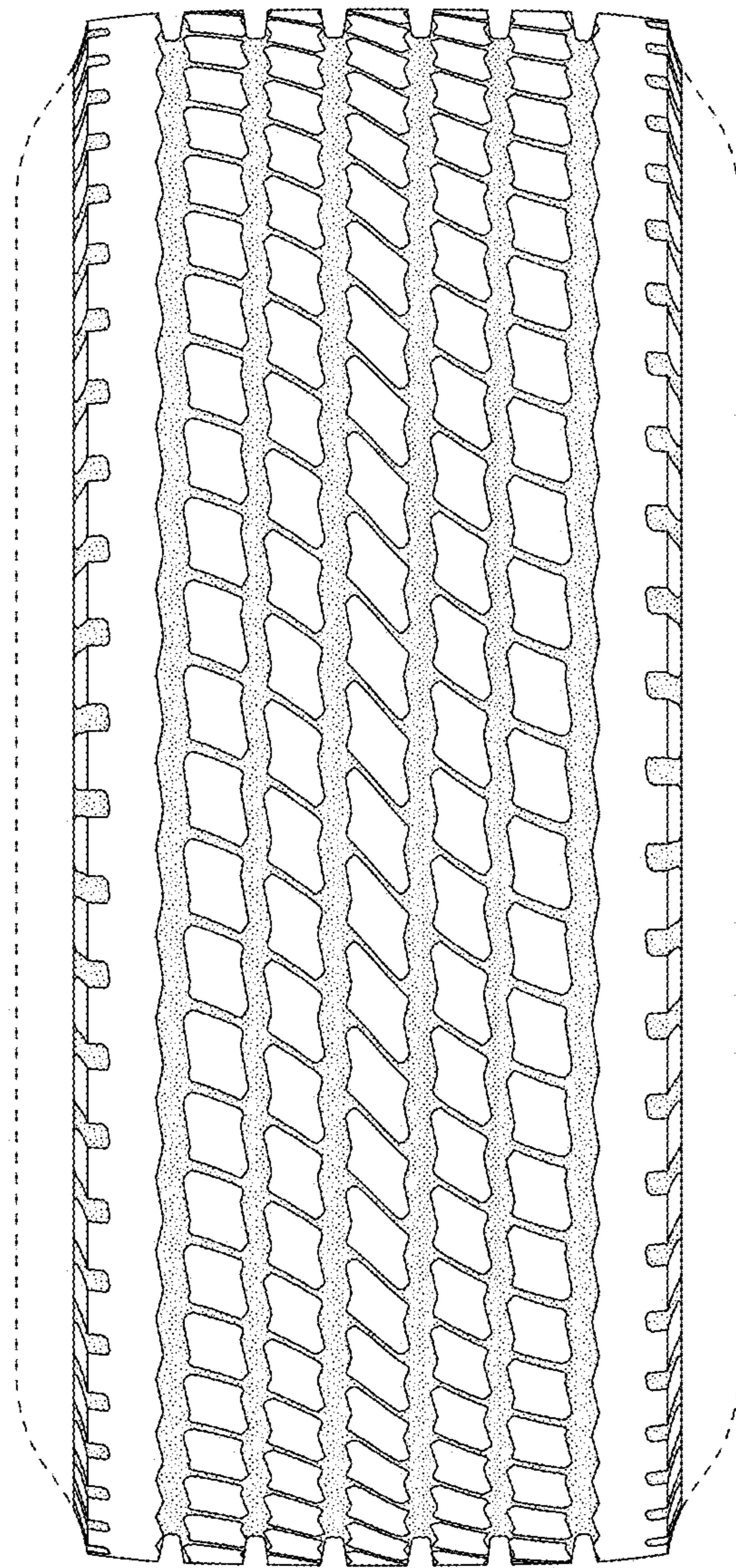


FIG. 8

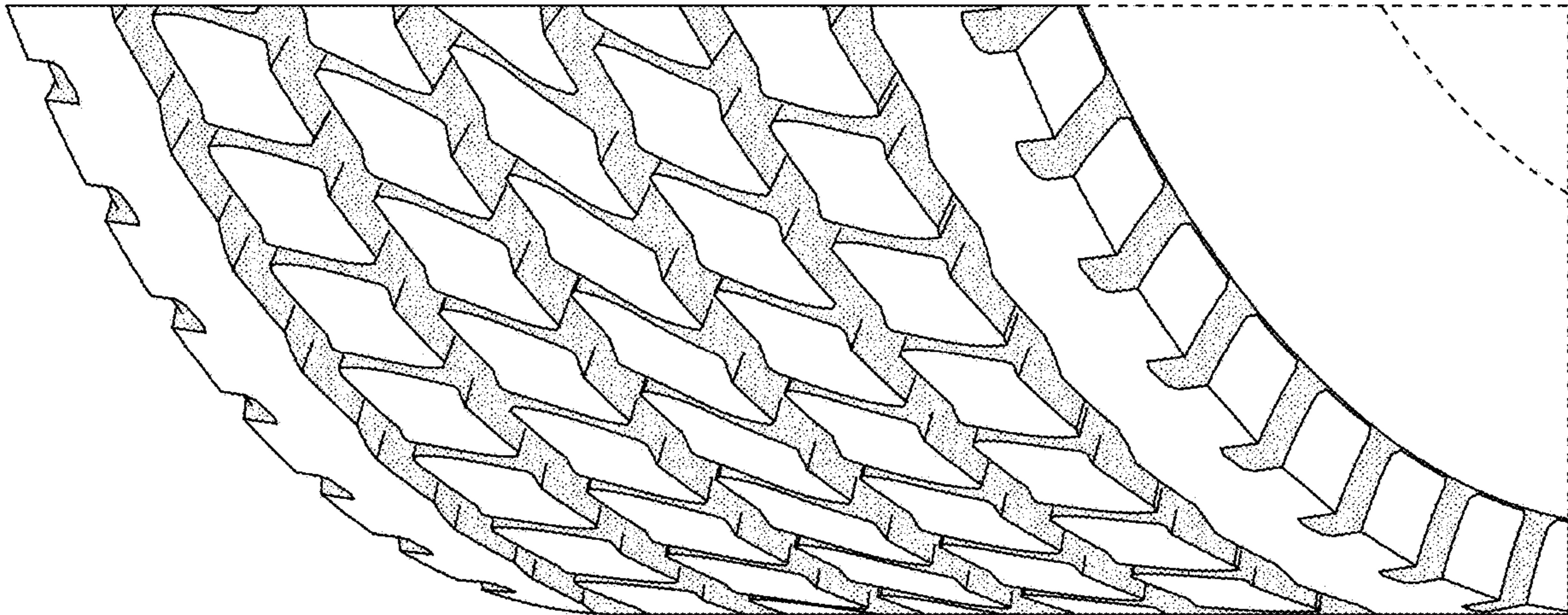


FIG. 9

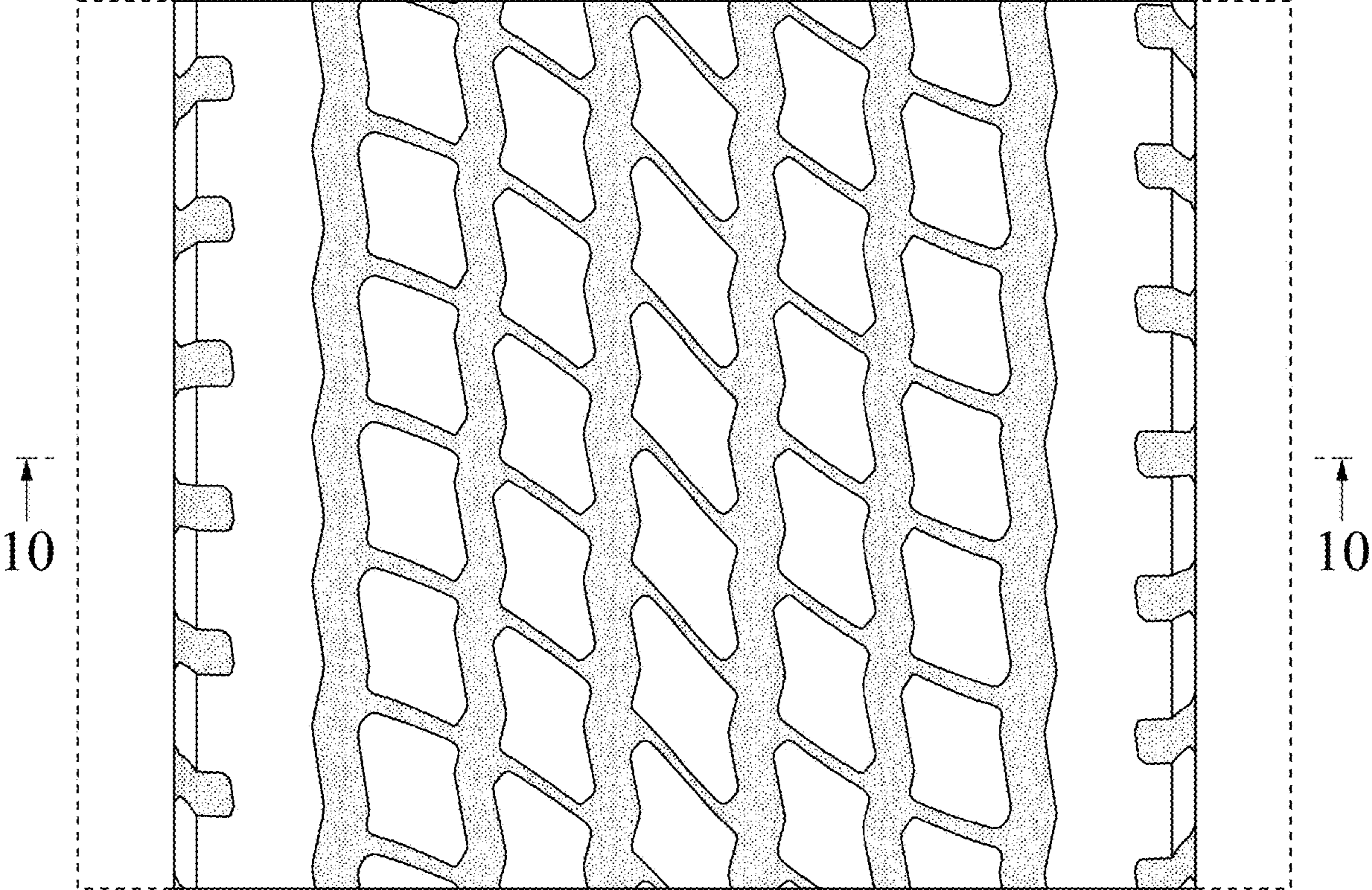


FIG. 10

