



US00D974995S

(12) **United States Design Patent**  
**Gan**

(10) **Patent No.:** **US D974,995 S**

(45) **Date of Patent:** **\*\* \*Jan. 10, 2023**

- (54) **STORAGE BOX FOR VEHICLE**
- (71) Applicant: **YuTing Gan**, Shenzhen (CN)
- (72) Inventor: **YuTing Gan**, Shenzhen (CN)
- (\* ) Notice: This patent is subject to a terminal disclaimer.

D935,381 S *	11/2021	Chen .....	D12/425
D940,057 S *	1/2022	Guo .....	D12/425
D942,366 S *	2/2022	Liang .....	D12/425
D943,496 S *	2/2022	Brumby .....	D12/425
D946,493 S *	3/2022	Huang .....	D12/425
D949,773 S *	4/2022	Huang .....	D12/425
D950,476 S *	5/2022	Gan .....	D12/425
D953,967 S *	6/2022	Liu .....	D12/425

\* cited by examiner

(\*\*) Term: **15 Years**

*Primary Examiner* — Katrina A Betton

(21) Appl. No.: **29/808,807**

(22) Filed: **Sep. 23, 2021**

(57) **CLAIM**

(51) **LOC (14) Cl.** ..... **12-16**

The ornamental design for a storage box for vehicle, as shown and described.

(52) **U.S. Cl.**  
USPC ..... **D12/425**

(58) **Field of Classification Search**  
USPC ..... D12/425, 400, 406, 415-420, 424, 426  
CPC ..... B63B 25/00; B63B 7/085; B63B 35/00;  
B63B 17/00; B60R 16/04  
See application file for complete search history.

**DESCRIPTION**

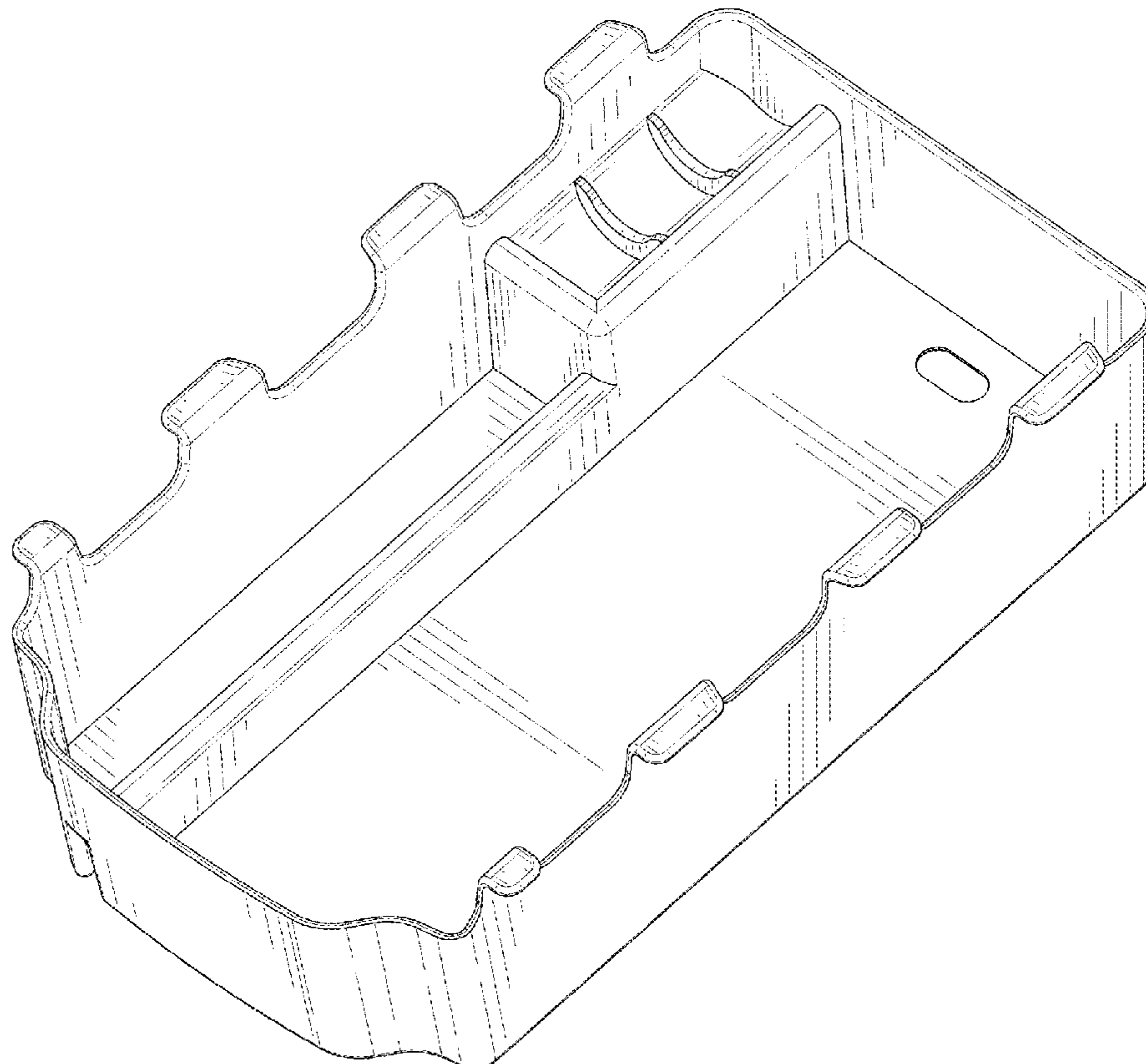
FIG. 1 is a front and top perspective view of a storage box for vehicle, showing my new design;  
FIG. 2 is a rear and bottom perspective view thereof;  
FIG. 3 is a front elevation view thereof;  
FIG. 4 is a rear elevation view thereof;  
FIG. 5 is a left side elevation view thereof;  
FIG. 6 is a right side elevation view thereof;  
FIG. 7 is a top plan view thereof; and,  
FIG. 8 is a bottom plan view thereof.

(56) **References Cited**

**U.S. PATENT DOCUMENTS**

D496,494 S *	9/2004	Hood .....	D21/608
D597,019 S	7/2009	Zarza .....	
D884,578 S *	5/2020	Guo .....	D12/425
D912,608 S *	3/2021	Chen .....	D12/425
D916,647 S *	4/2021	Chen .....	D12/425
D922,935 S *	6/2021	Guo .....	D12/425

**1 Claim, 8 Drawing Sheets**



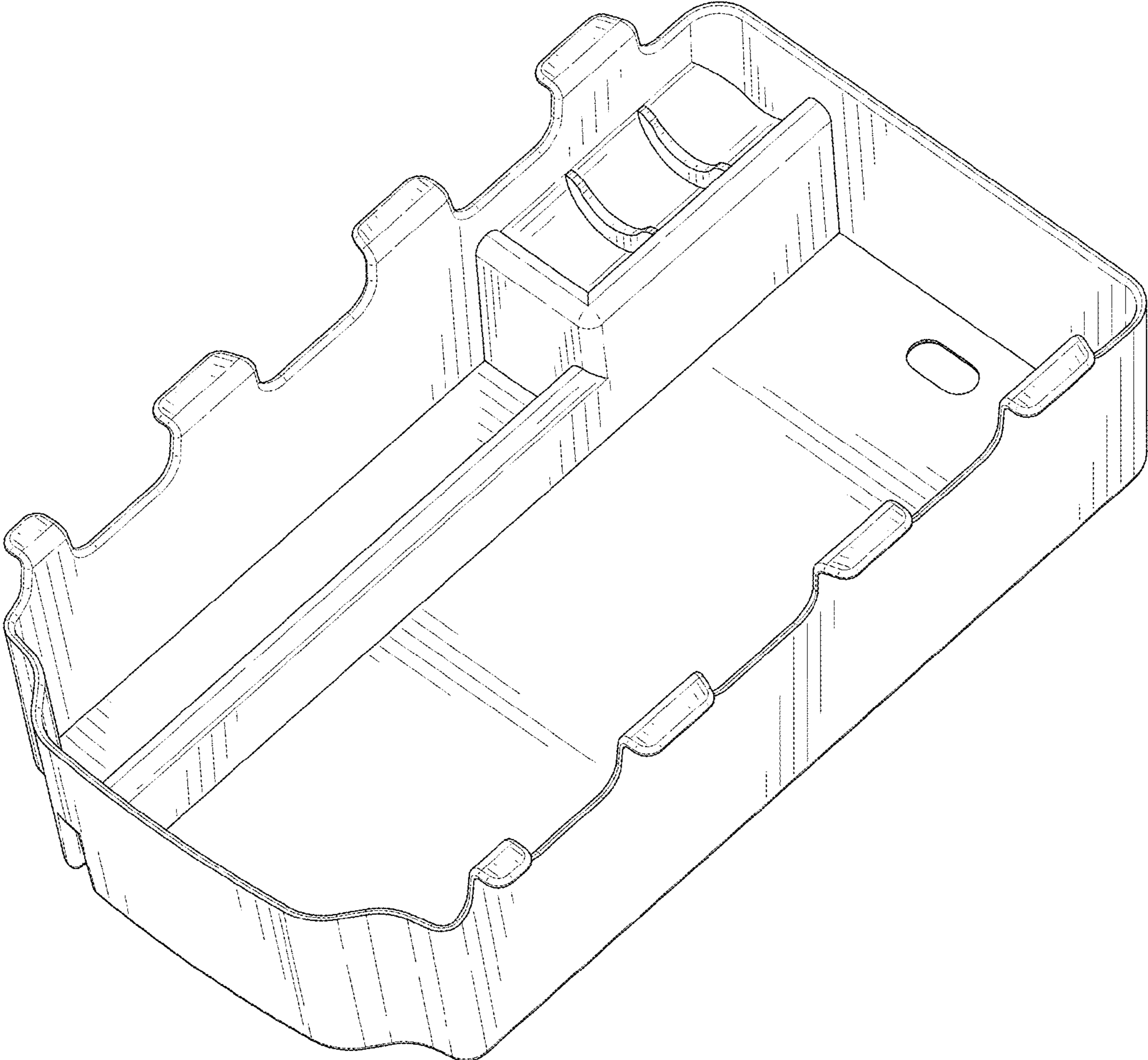


FIG. 1

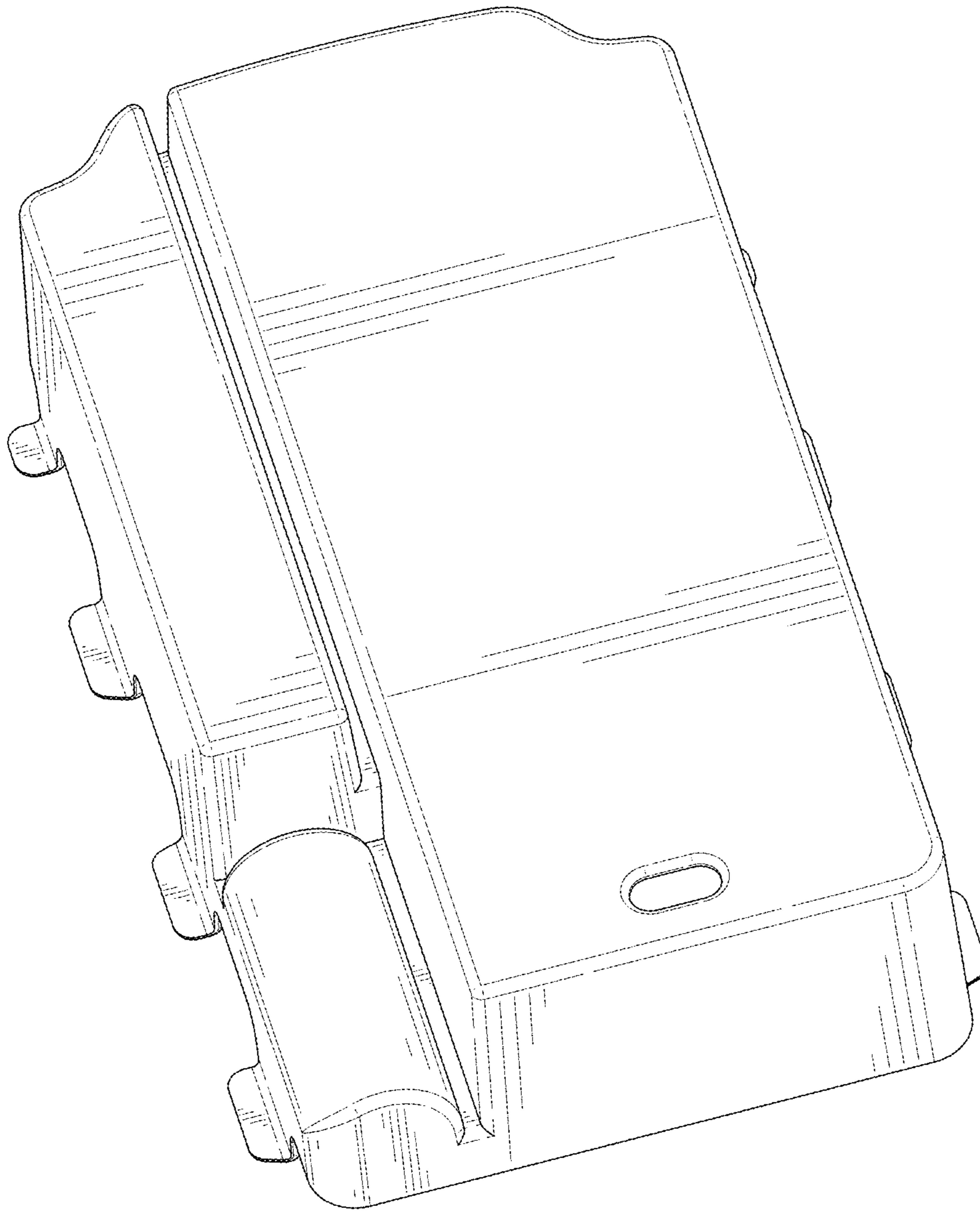


FIG. 2

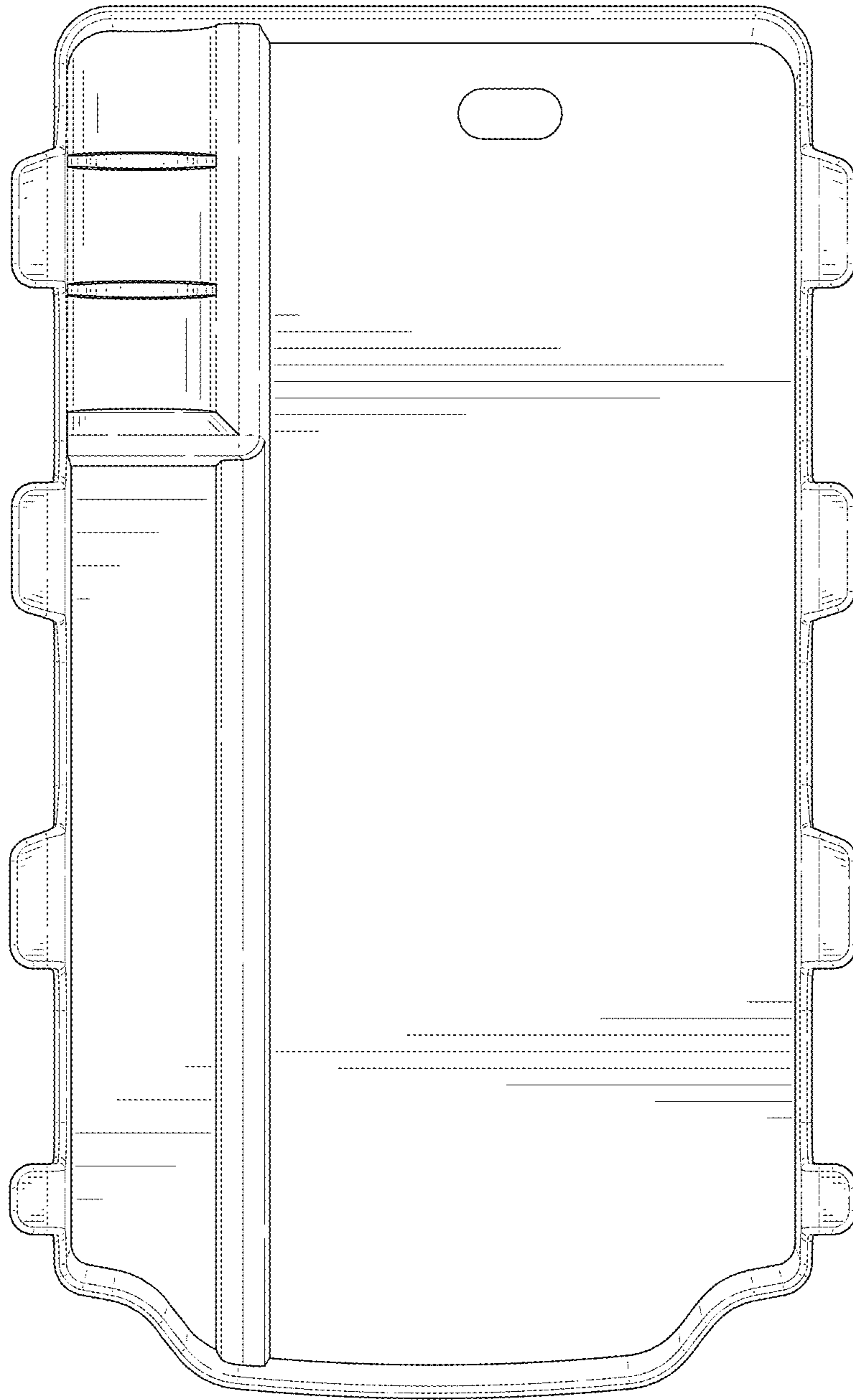


FIG. 3

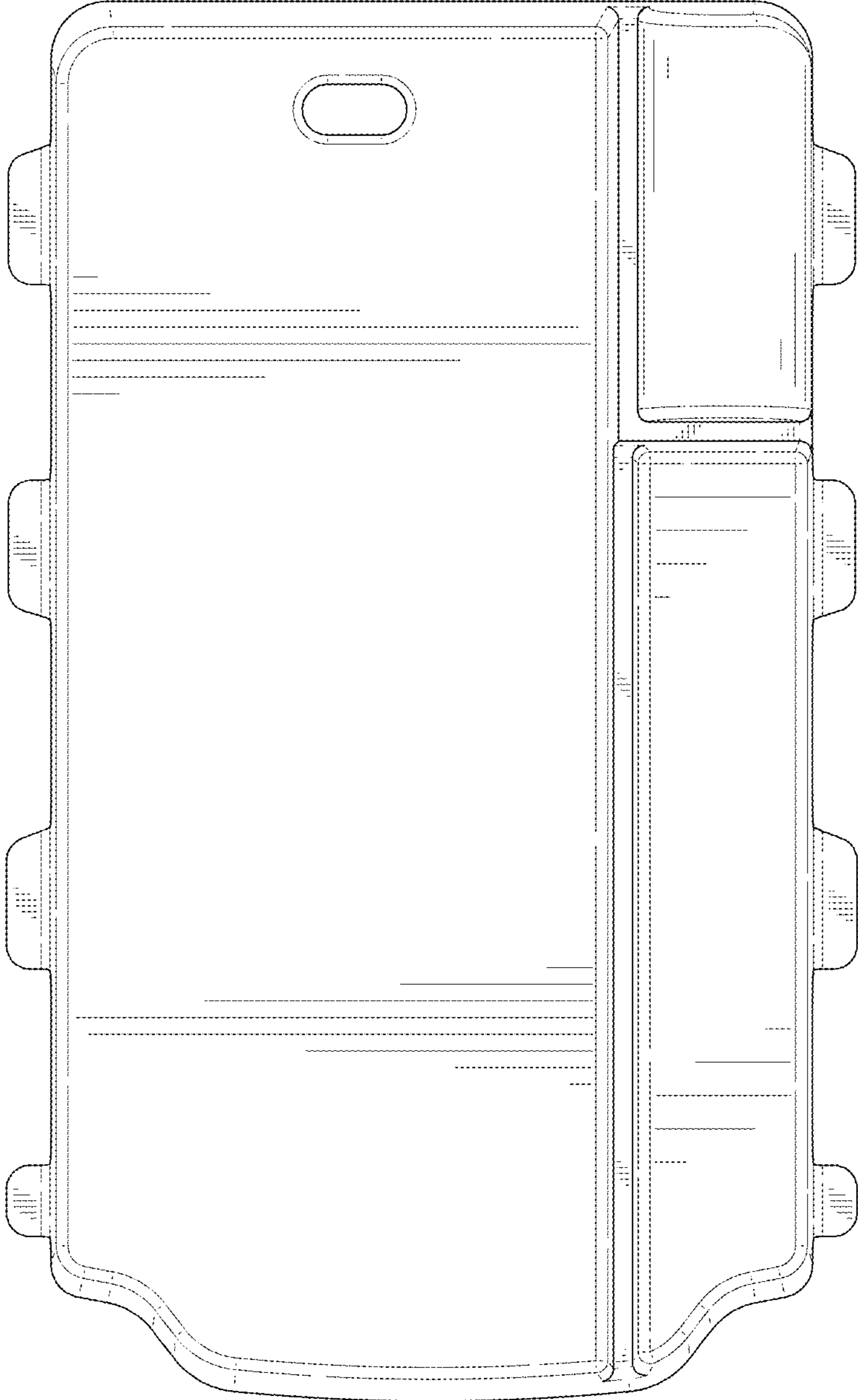


FIG. 4

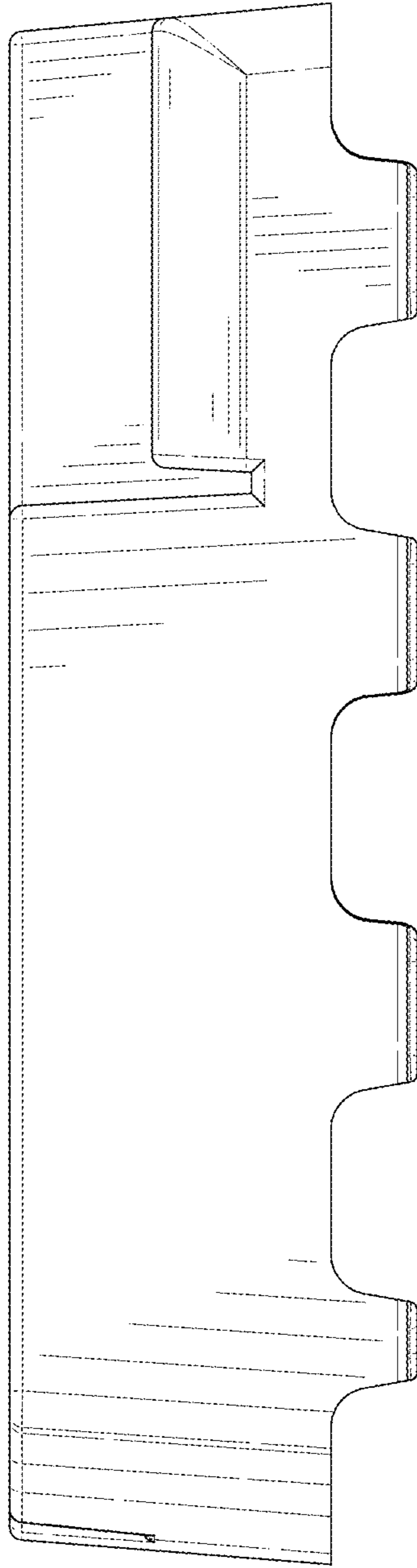


FIG. 5

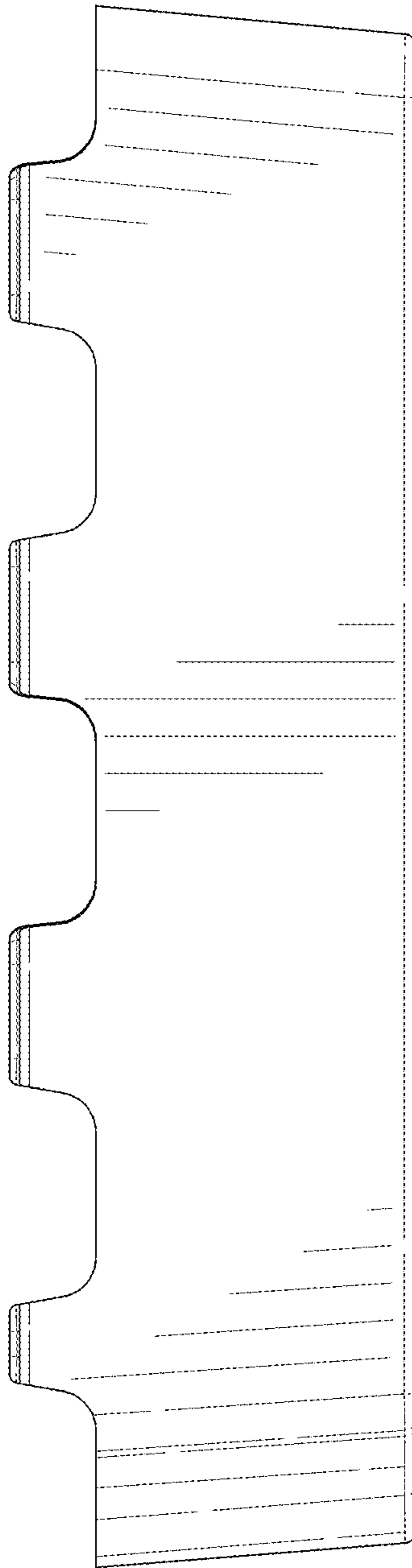


FIG. 6

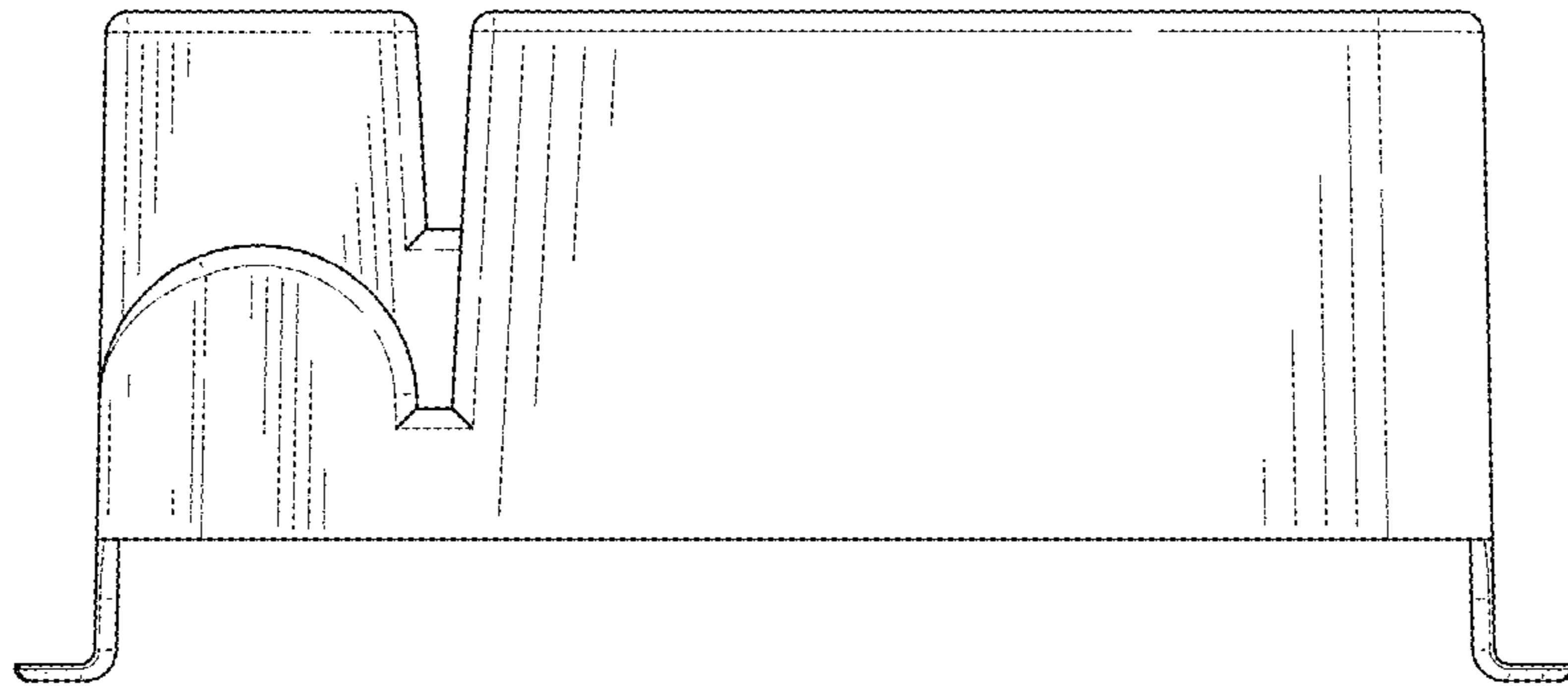


FIG. 7



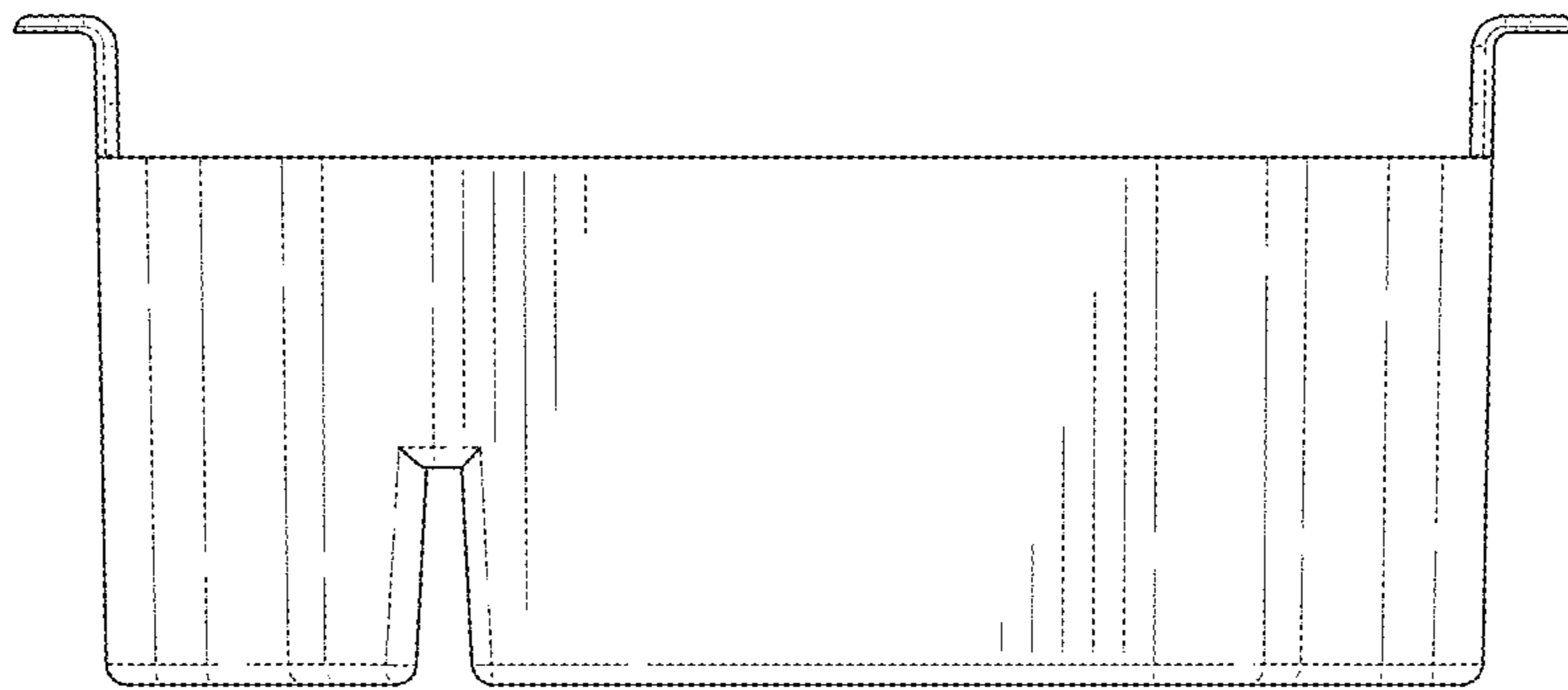


FIG. 8