



US00D974993S

(12) **United States Design Patent** (10) **Patent No.:** **US D974,993 S**
Wu (45) **Date of Patent:** **** Jan. 10, 2023**

(54) **CAR DOOR HOOK**

FOREIGN PATENT DOCUMENTS

(71) Applicant: **PINGHU FIRSTCLUB COVER & BAG CO., LTD**, Pinghu (CN)

CN 306301526 * 1/2021

(72) Inventor: **Haikun Wu**, Pinghu (CN)

OTHER PUBLICATIONS

(73) Assignee: **PINGHU FIRSTCLUB COVER & BAG CO., LTD**, Pinghu (CN)

WayBackMachine roofpax.com, Roof-top-Cargo, published Jan. 29, 2021[retrieved on Sep. 13, 2022]. Retrieved from the internet<https://web.archive.org/web/20210729185729/https://roofpax.com/product/roofpax-roof-top-cargo-carrier-hooks-for-securing-car-top-luggage/> (Year: 2021).*

(**) Term: **15 Years**

WayBackMachine Saris J-hook Straps, published Apr. 20, 2021[retrieved on Sep. 13, 2022]. Retrieved from the internet<https://web.archive.org/web/20210420170710/https://www.saris.com/product/replacement-j-hook-straps> (Year: 2021).*

(21) Appl. No.: **29/749,860**

(22) Filed: **Sep. 9, 2020**

(30) **Foreign Application Priority Data**

* cited by examiner

Aug. 31, 2020 (CN) 202030508603.9

(51) **LOC (14) Cl.** **08-08**

Primary Examiner — Joseph Kukella

(52) **U.S. Cl.**
USPC **D12/412**

Assistant Examiner — Lavon M. Amerson

(58) **Field of Classification Search**
USPC D12/7, 42, 44, 196, 400, 403, 404, 405,
D12/406, 412, 418, 515; D29/100;
D3/226; D11/200, 218; D2/624, 627;
D8/330, 331, 333, 339

(74) *Attorney, Agent, or Firm* — Innovation Capital Law Group, LLP; Vic Lin

CPC B61D 7/16; Y10T 292/0911
See application file for complete search history.

(57) **CLAIM**

The ornamental design for a car door hook, as shown and described.

(56) **References Cited**

DESCRIPTION

U.S. PATENT DOCUMENTS

D367,949 S * 3/1996 Vallance D29/100
D433,775 S * 11/2000 Crepeau D29/100
D541,190 S * 4/2007 Plzak D11/200
D638,330 S * 5/2011 Fahrendorff D11/200
D676,627 S * 2/2013 Doss D2/624
2004/0173550 A1 * 9/2004 Adams A47G 25/0614
211/119.004

FIG. 1 is a front view of a car door hook showing my new design;

FIG. 2 is a rear view thereof;

FIG. 3 is a left side view thereof;

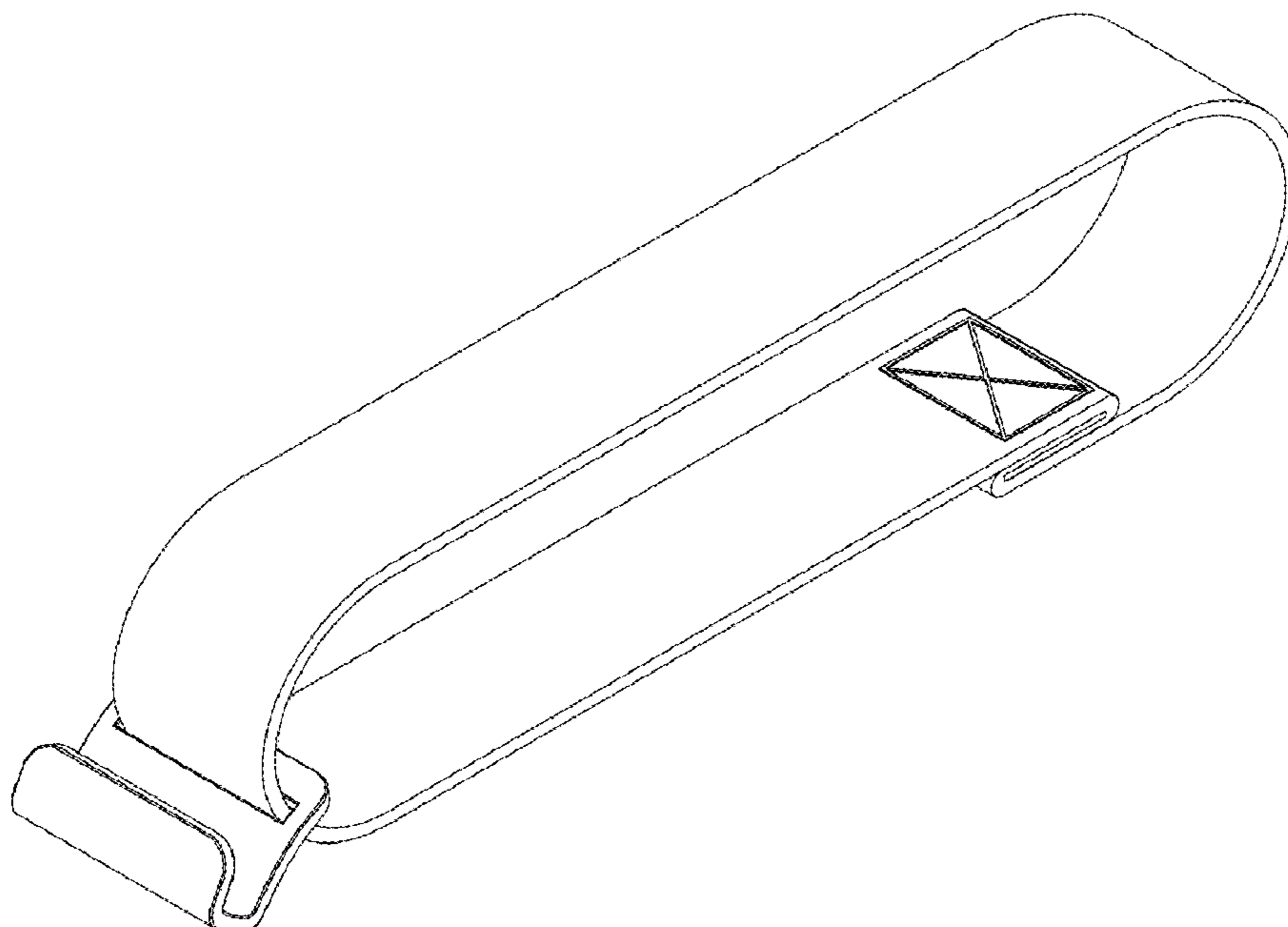
FIG. 4 is a right side view thereof;

FIG. 5 is a top view thereof;

FIG. 6 is a bottom view thereof; and,

FIG. 7 is a perspective view thereof.

1 Claim, 7 Drawing Sheets



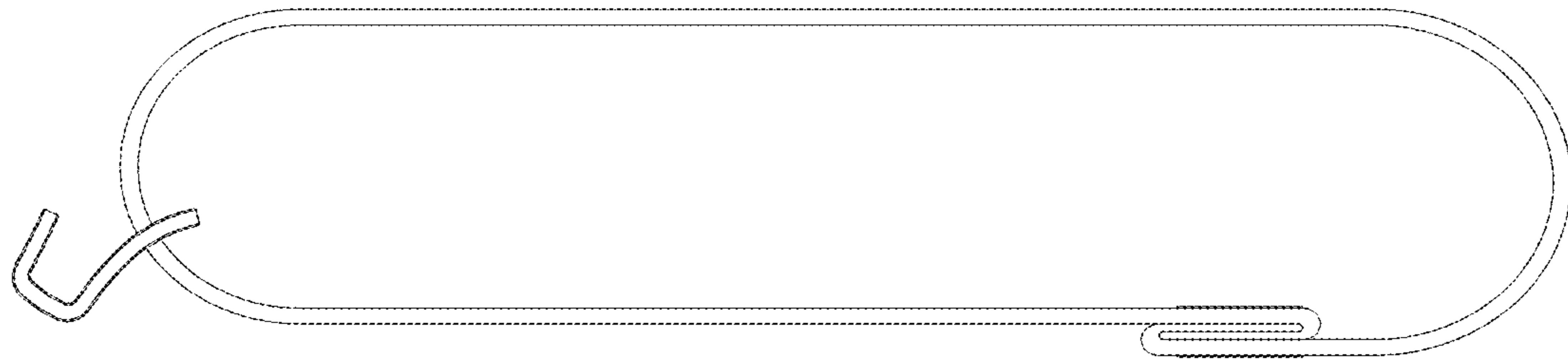


FIG. 1

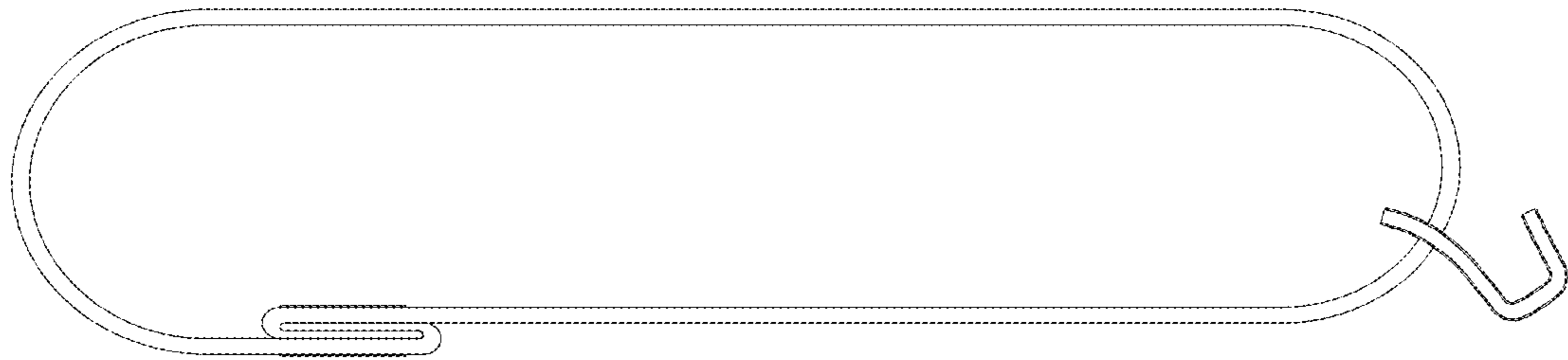


FIG. 2

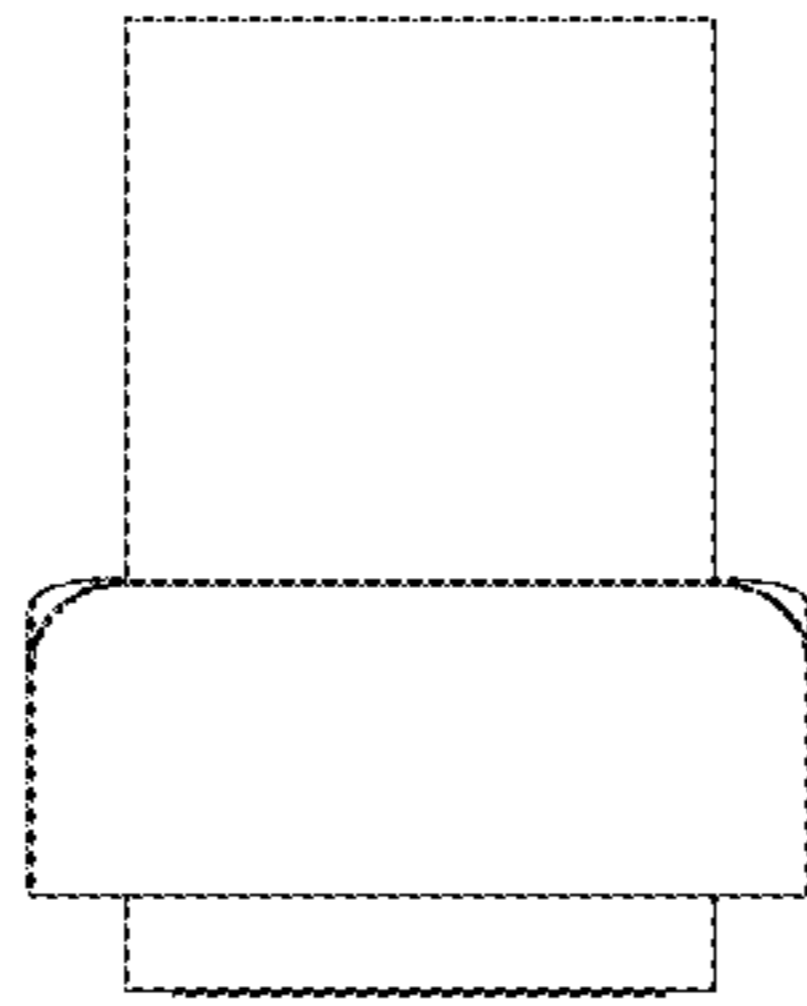


FIG. 3

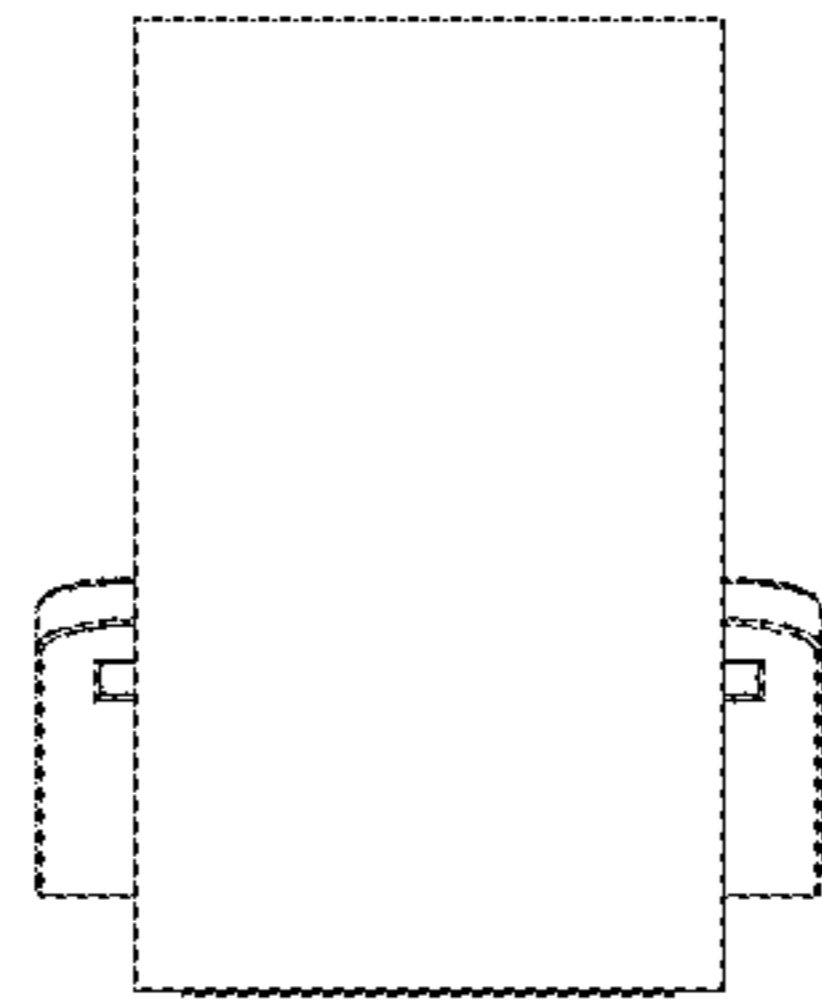


FIG. 4

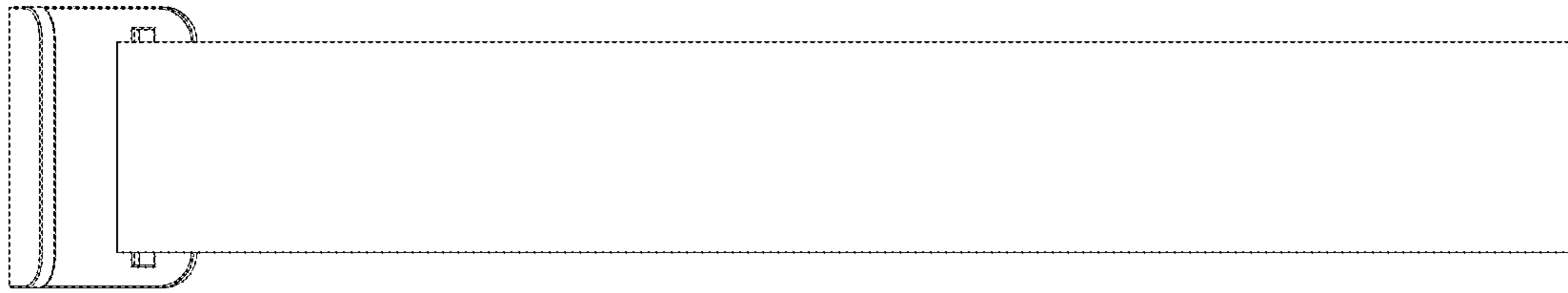


FIG. 5

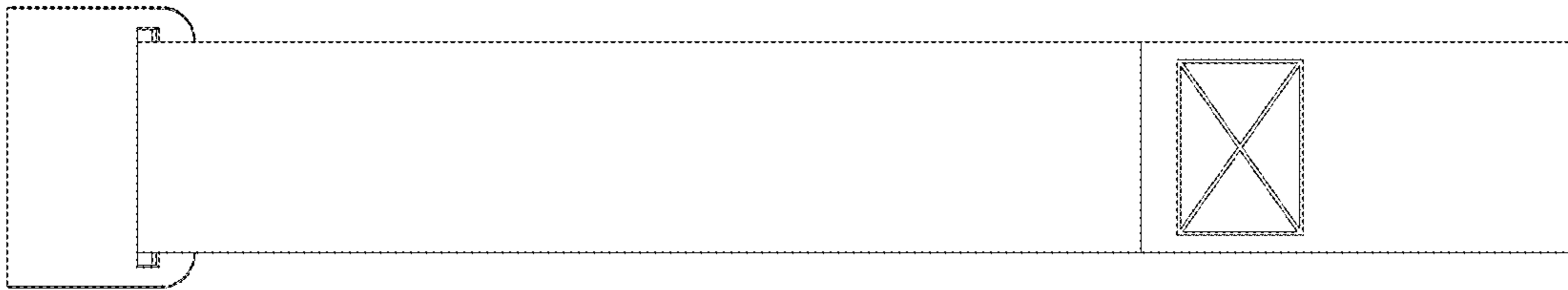


FIG. 6

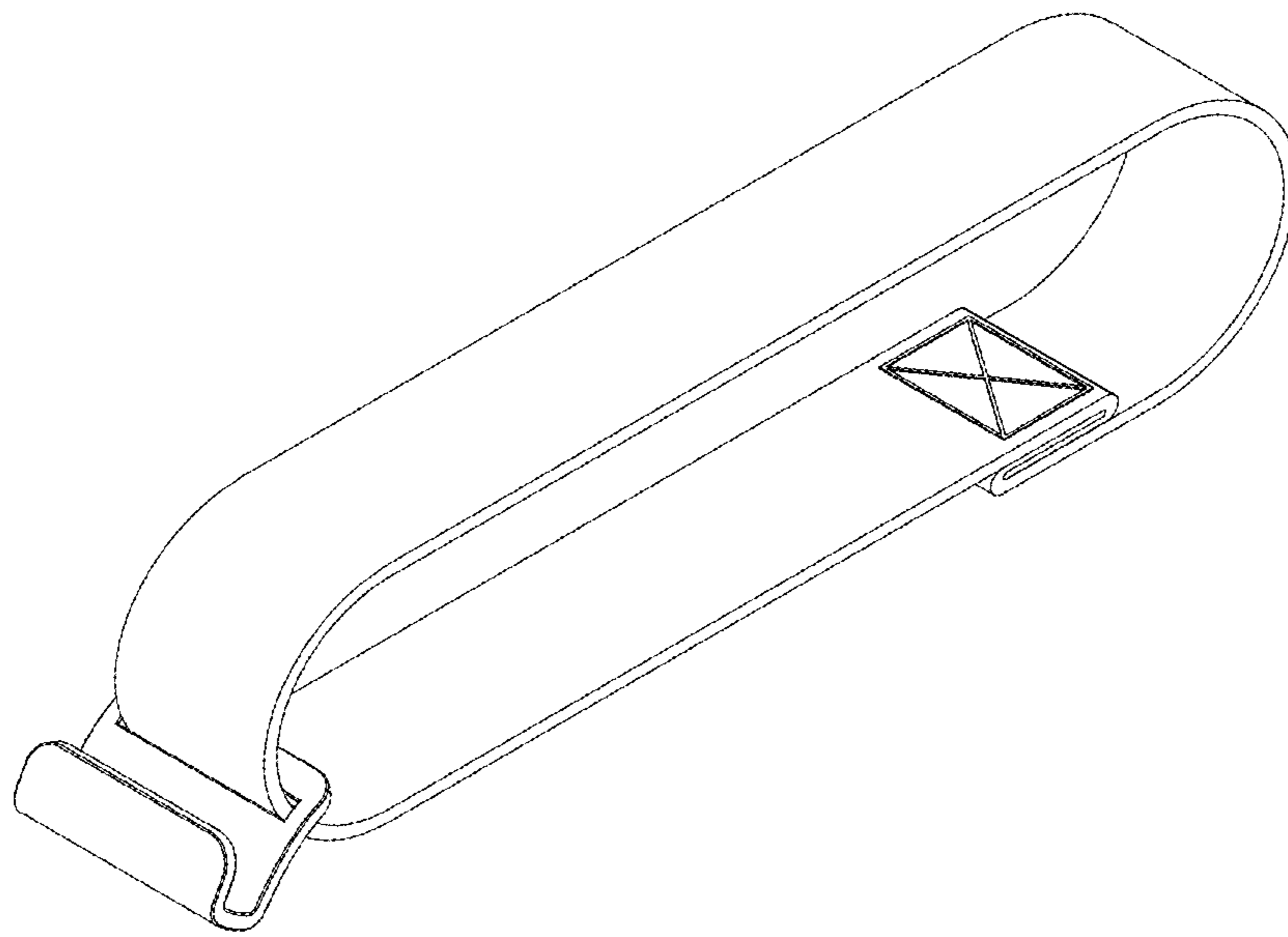


FIG. 7