



US00D974991S

(12) **United States Design Patent**  
**Cummings**

(10) **Patent No.:** **US D974,991 S**  
(45) **Date of Patent:** **\*\* Jan. 10, 2023**

(54) **AIRCRAFT**

(71) Applicant: **Darold B Cummings**, Coeur D'Alene, ID (US)

(72) Inventor: **Darold B Cummings**, Coeur D'Alene, ID (US)

(\*\*) Term: **15 Years**

(21) Appl. No.: **29/749,854**

(22) Filed: **Sep. 9, 2020**

(51) **LOC (14) Cl.** ..... **12-07**

(52) **U.S. Cl.**  
USPC ..... **D12/326**; D21/436; D21/454

(58) **Field of Classification Search**  
USPC ..... D12/16.1, 319, 320, 322, 323, 326, 327,  
D12/328, 329, 331, 332, 1, 2, 3, 4;  
D21/436, 454  
CPC ..... B64C 2201/14  
See application file for complete search history.

(56) **References Cited**

**U.S. PATENT DOCUMENTS**

D824,804 S *	8/2018	Tian	.....	D12/326
D850,357 S *	6/2019	Cummings	.....	D12/326
D875,022 S *	2/2020	Cummings	.....	D12/326
D903,577 S *	12/2020	Clark	.....	D12/326
D947,748 S *	4/2022	Levy	.....	D12/326
D952,514 S *	5/2022	Tian	.....	D12/16.1
D964,887 S *	9/2022	Lukashov	.....	D12/16.1

**OTHER PUBLICATIONS**

Fdg36 Vtol Uav 3 Hours Endurance With 5kgs Payload Frame Kit, [retrieved Sep. 27, 2022]. Publication date not available. Retrieved from internet, <https://www.aliexpress.com/item/3256804139108704>.

html?spm=a2g0o.detail.0.0.414489d6KrKQiQ&gps-id=pcDetailBottomMoreThisSeller&scm=100 (Year: N/A).\*  
Fly Dragon electric vtol vertical takeoff aircraft 3 meter Angel Wings fixed wing KIT for UAV building, [retrieved Sep. 27, 2022]. Publication date not available. Retrieved from internet, [https://www.aliexpress.us/item/2255800650982855.html?gatewayAdapt=glo2usa4itemAdapt&\\_randl\\_shipto=US](https://www.aliexpress.us/item/2255800650982855.html?gatewayAdapt=glo2usa4itemAdapt&_randl_shipto=US) (Year: N/A).\*

\* cited by examiner

*Primary Examiner* — Christian P. McLean

*Assistant Examiner* — Jessica Lynn Devilbiss

(74) *Attorney, Agent, or Firm* — Morland C. Fischer

(57) **CLAIM**

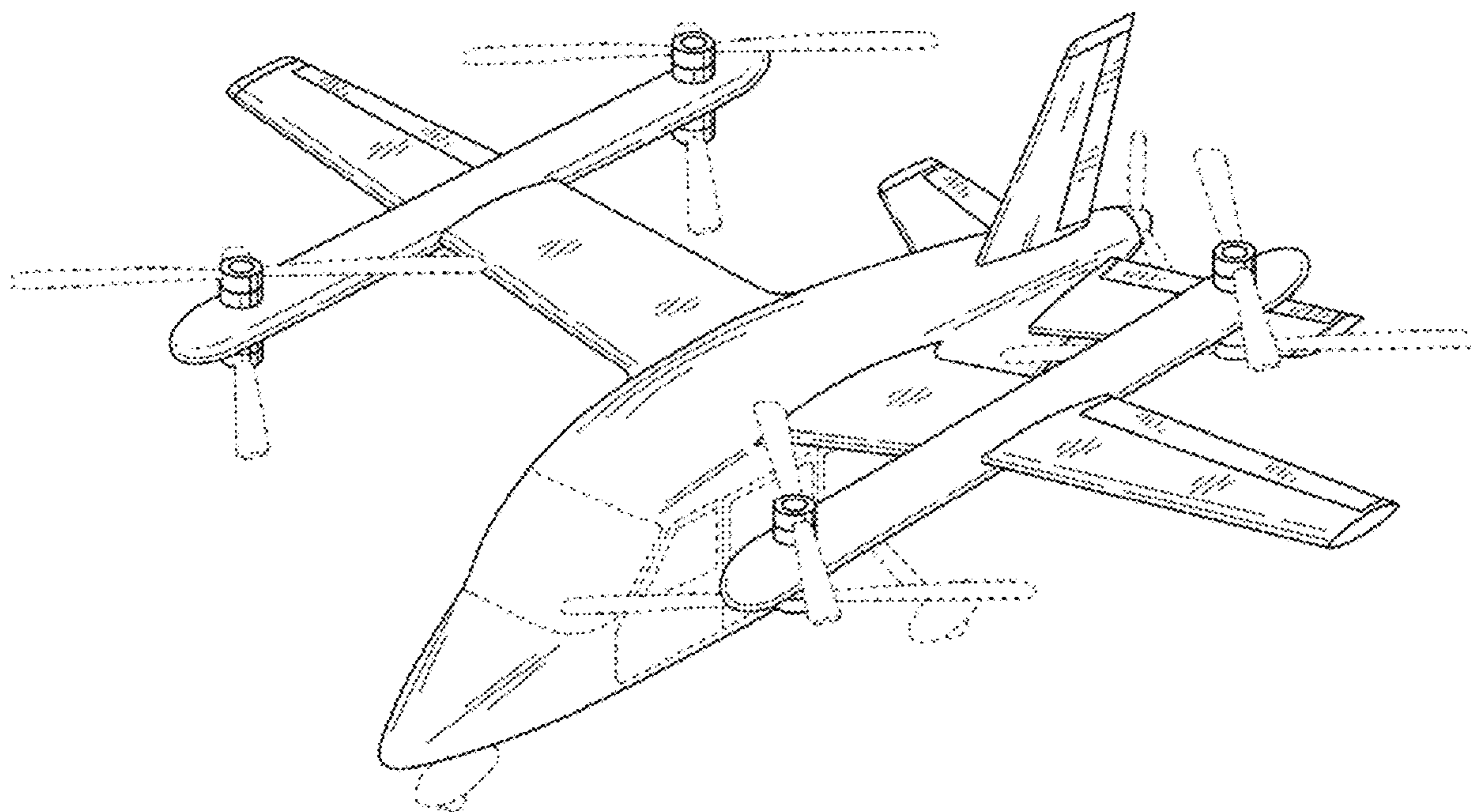
The ornamental design for an aircraft, as shown and described.

**DESCRIPTION**

FIG. 1 is a perspective view showing the front, top and left side of an aircraft which forms my new design;  
FIG. 2 is a top plan view thereof;  
FIG. 3 is a left side elevational view thereof;  
FIG. 4 is a right side elevational view thereof;  
FIG. 5 is a bottom plan view thereof;  
FIG. 6 is a front elevational view thereof; and,  
FIG. 7 is a rear elevational view thereof.

The broken lines in the drawings depict portions of the aircraft that form no part of the claimed design.

**1 Claim, 4 Drawing Sheets**



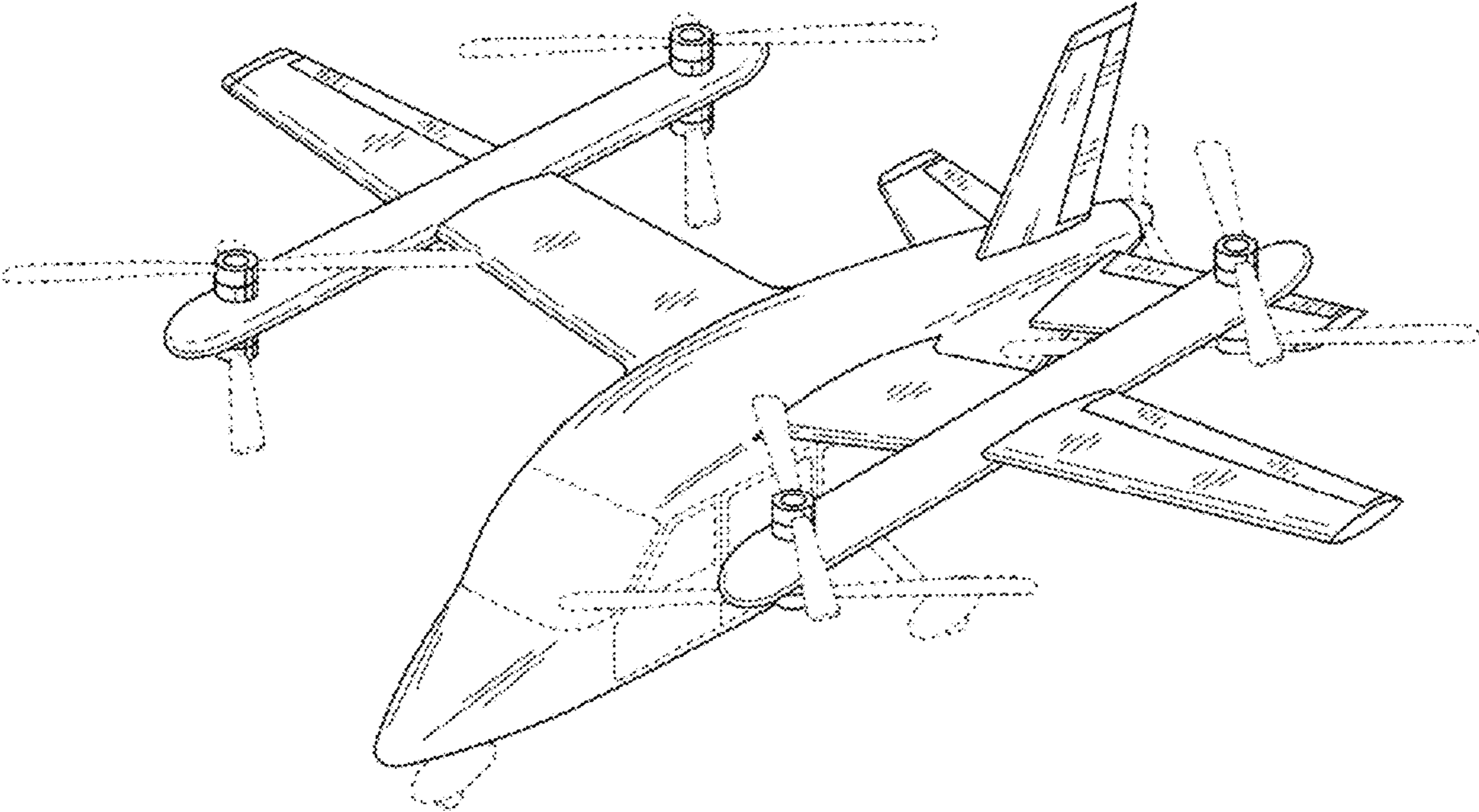
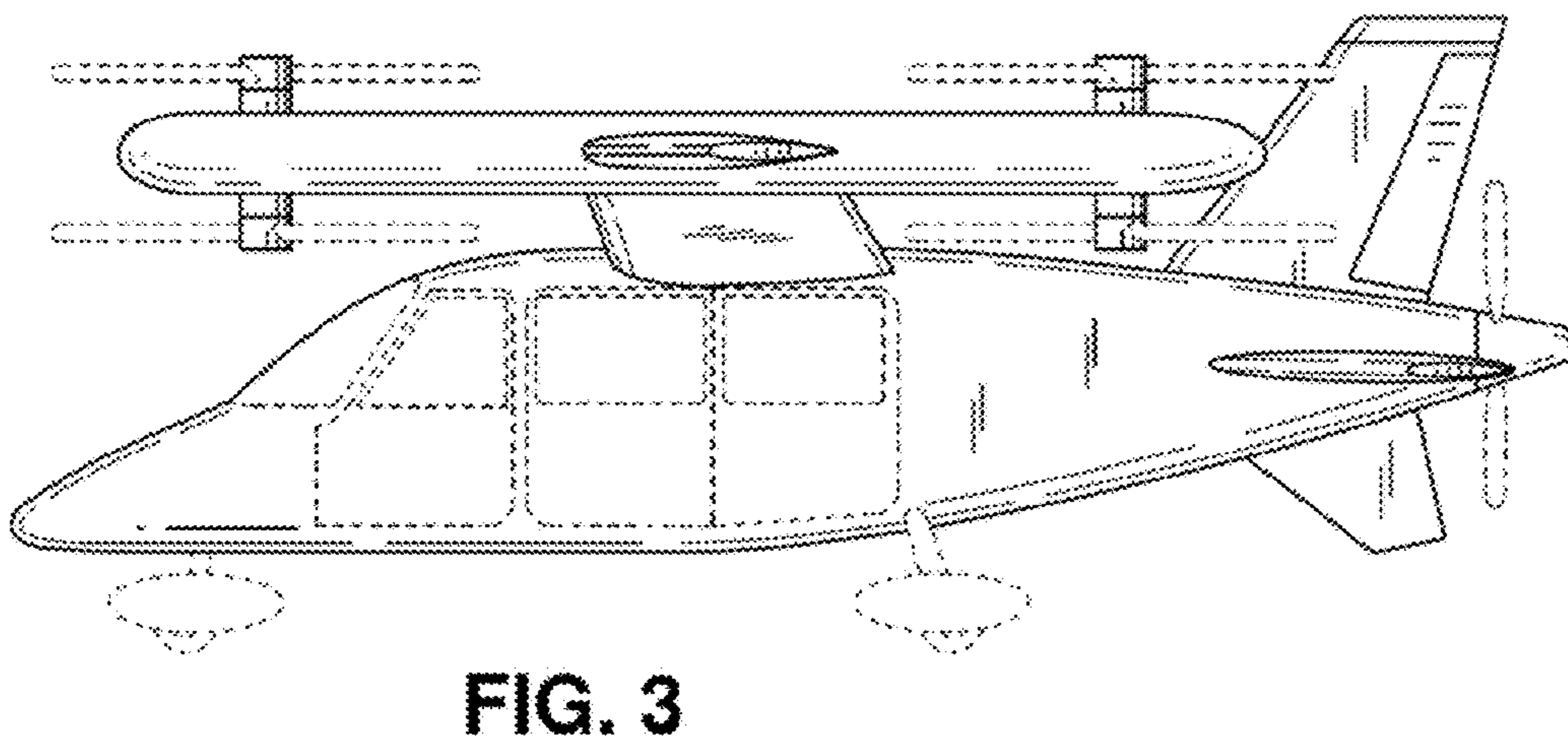
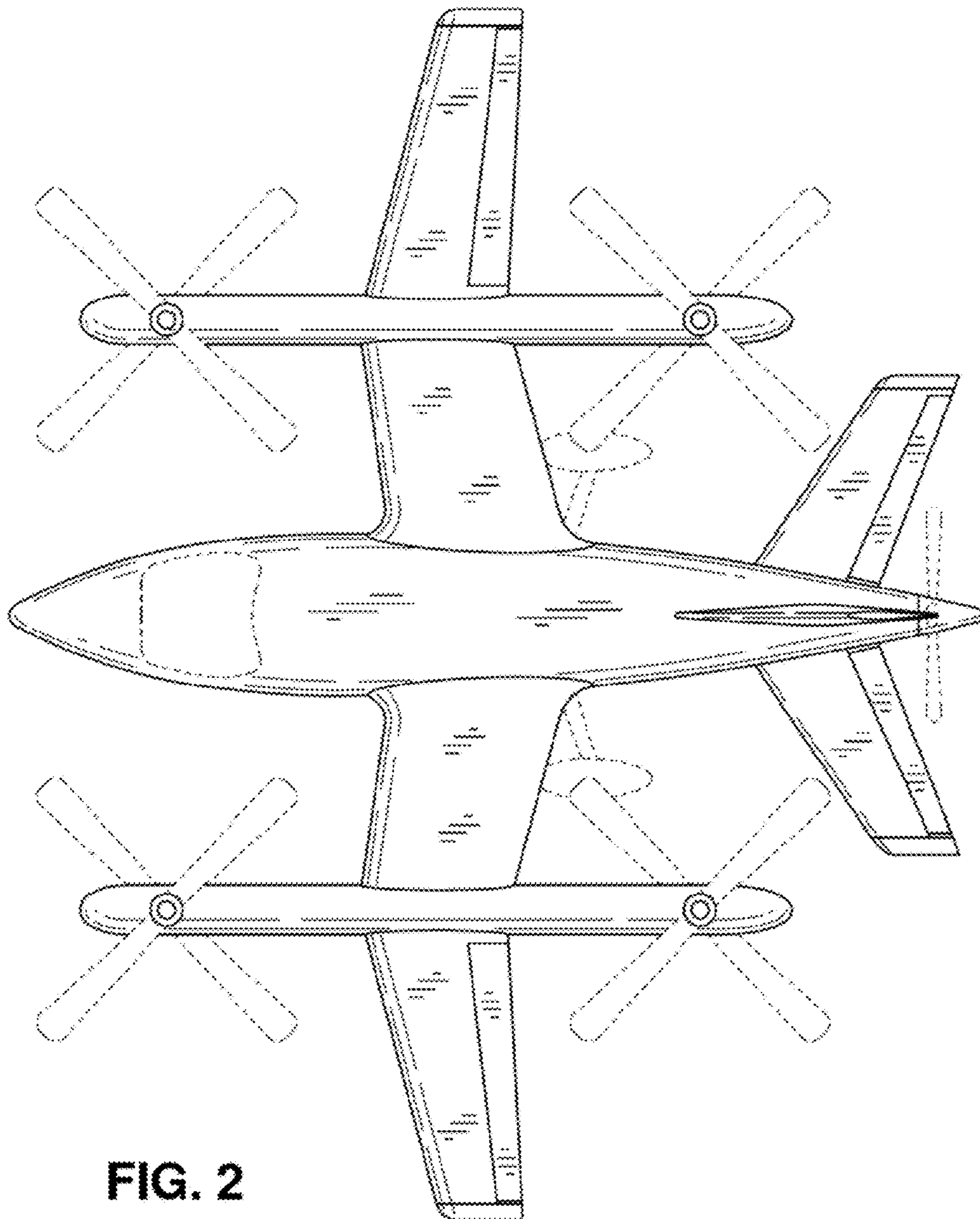


FIG. 1



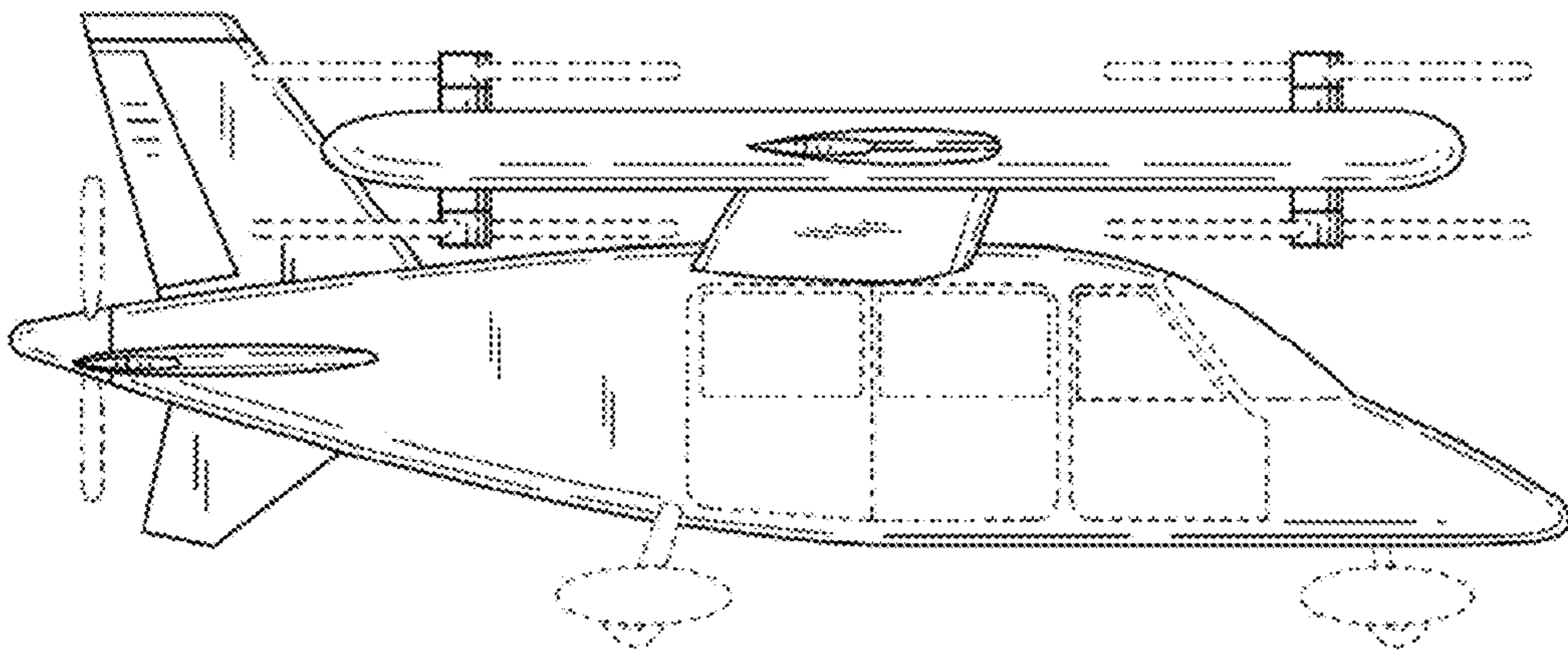


FIG. 4

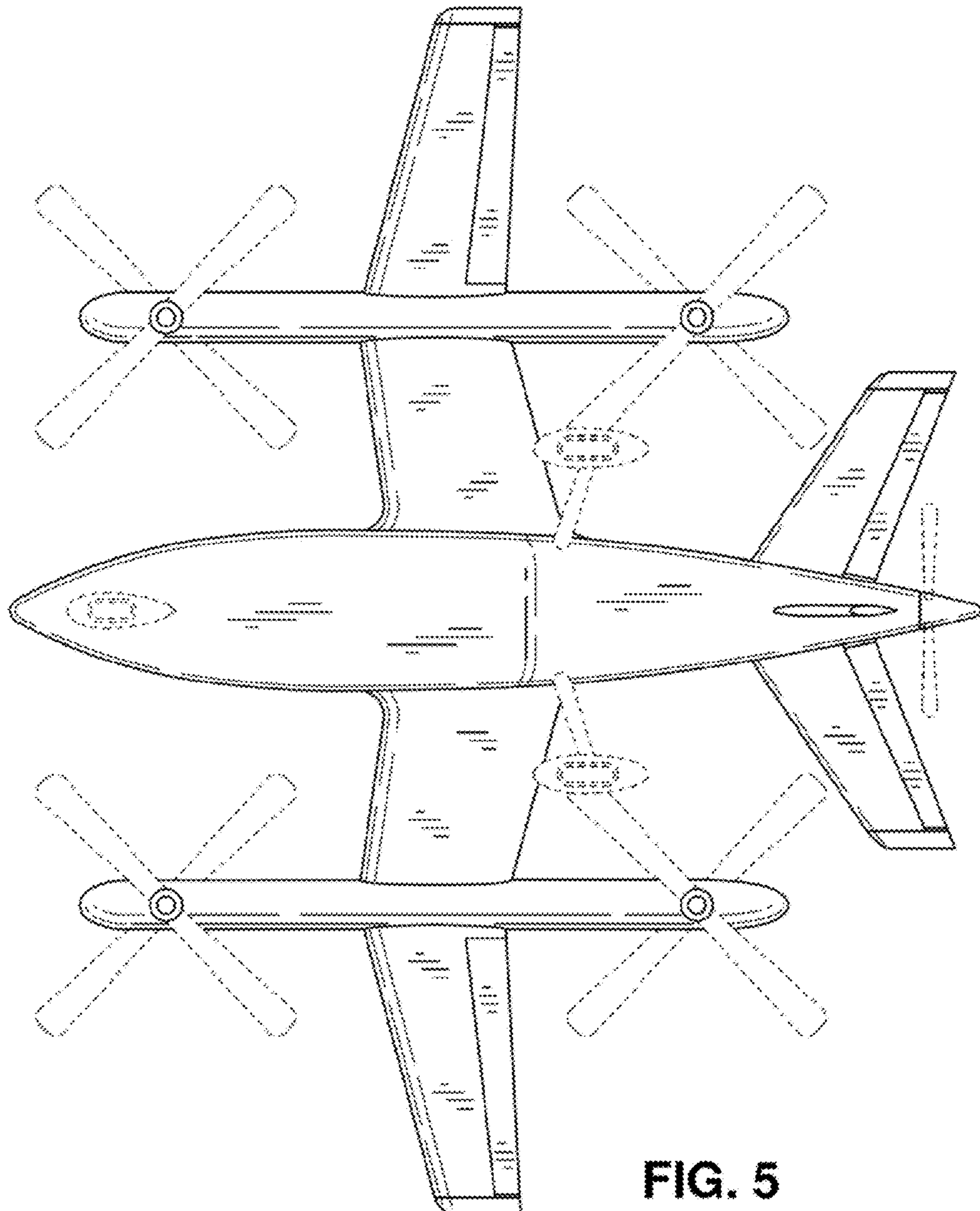


FIG. 5

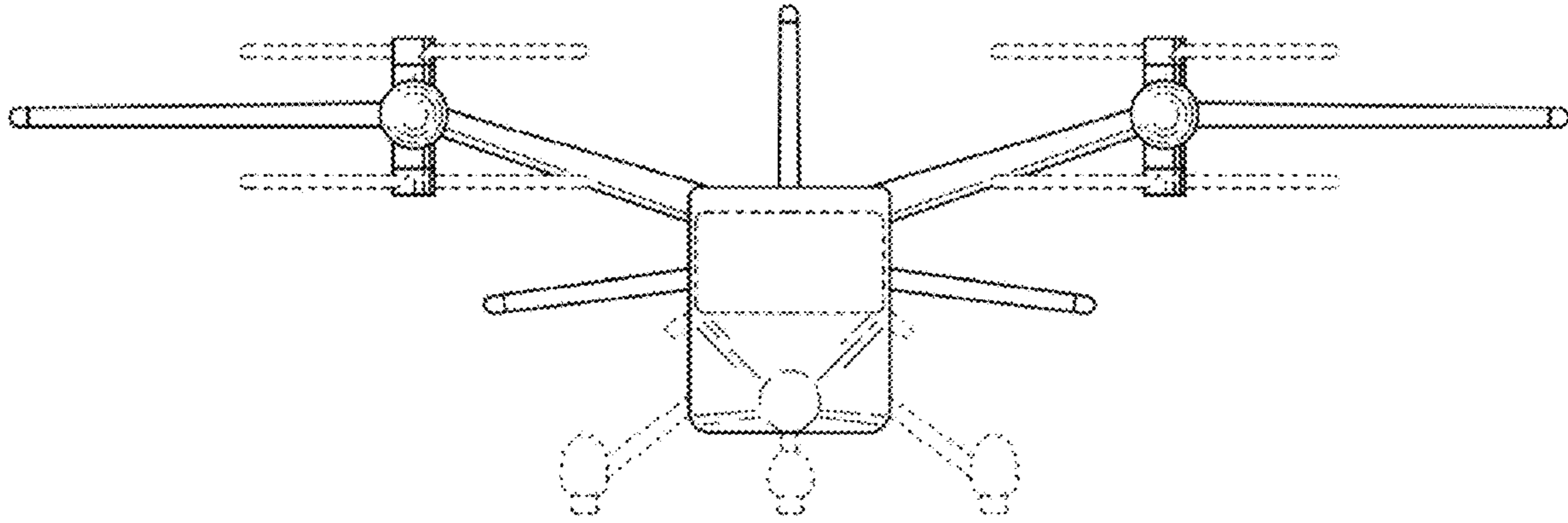


FIG. 6

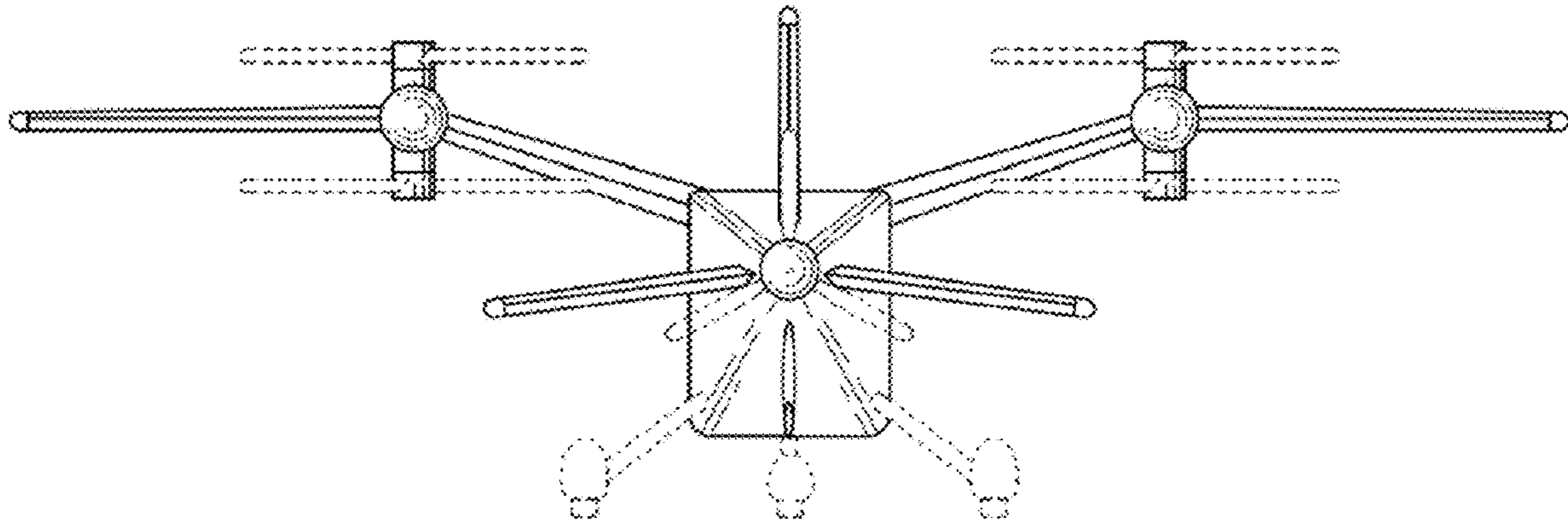


FIG. 7