



US00D974990S

(12) **United States Design Patent**
Lukyanov

(10) **Patent No.:** **US D974,990 S**
(45) **Date of Patent:** **** Jan. 10, 2023**

- (54) **WATER MOVEMENT DEVICE**
- (71) Applicant: **OOO "PARITET-TSENTR"**, Yaroslavl (RU)
- (72) Inventor: **Aleksey Borisovich Lukyanov**, Yaroslavl (RU)
- (73) Assignee: **OOO "PARITET-TSENTR"**, Yaroslavl (RU)
- (**) Term: **15 Years**
- (21) Appl. No.: **29/756,405**
- (22) Filed: **Oct. 28, 2020**
- (30) **Foreign Application Priority Data**
May 27, 2020 (RU) 2020502379
- (51) **LOC (14) Cl.** **12-06**
- (52) **U.S. Cl.**
USPC **D12/306; D12/308**
- (58) **Field of Classification Search**
USPC D12/306, 308, 317; D21/801
CPC A63B 35/00; A63B 35/04; A63B 35/08;
A63B 35/10; A63B 35/12; B63C 11/46;
B63H 16/14
See application file for complete search history.

- (56) **References Cited**
U.S. PATENT DOCUMENTS
D138,753 S * 9/1944 Lee D12/306
3,570,436 A * 3/1971 Le Vasseur A63B 35/08
440/31
4,624,207 A * 11/1986 King B63C 11/46
114/253
D292,694 S * 11/1987 Panyik D12/306
4,813,367 A * 3/1989 Stevenson A63B 35/12
114/315
4,996,938 A * 3/1991 Cameron A63B 35/12
440/6

- D321,854 S 11/1991 Foley
- 5,619,948 A * 4/1997 Keyvani B63C 11/46
440/49
- D505,104 S * 5/2005 Osumi D12/308
- 7,004,099 B2 * 2/2006 Iijima B63G 8/36
114/242
- 7,011,035 B2 * 3/2006 Sueshige B63C 11/46
114/315
- 7,096,815 B2 * 8/2006 Iino B63C 11/46
114/242
- D553,218 S 10/2007 Keegan
- D739,909 S 9/2015 Mix et al.
- D742,802 S * 11/2015 Lukyanov D12/306
- D869,368 S 12/2019 Li
- 2022/0081081 A1 * 3/2022 Wei A63B 35/12

* cited by examiner

Primary Examiner — Cynthia M. Chin
(74) *Attorney, Agent, or Firm* — Craft Chu PLLC;
Andrew W. Chu

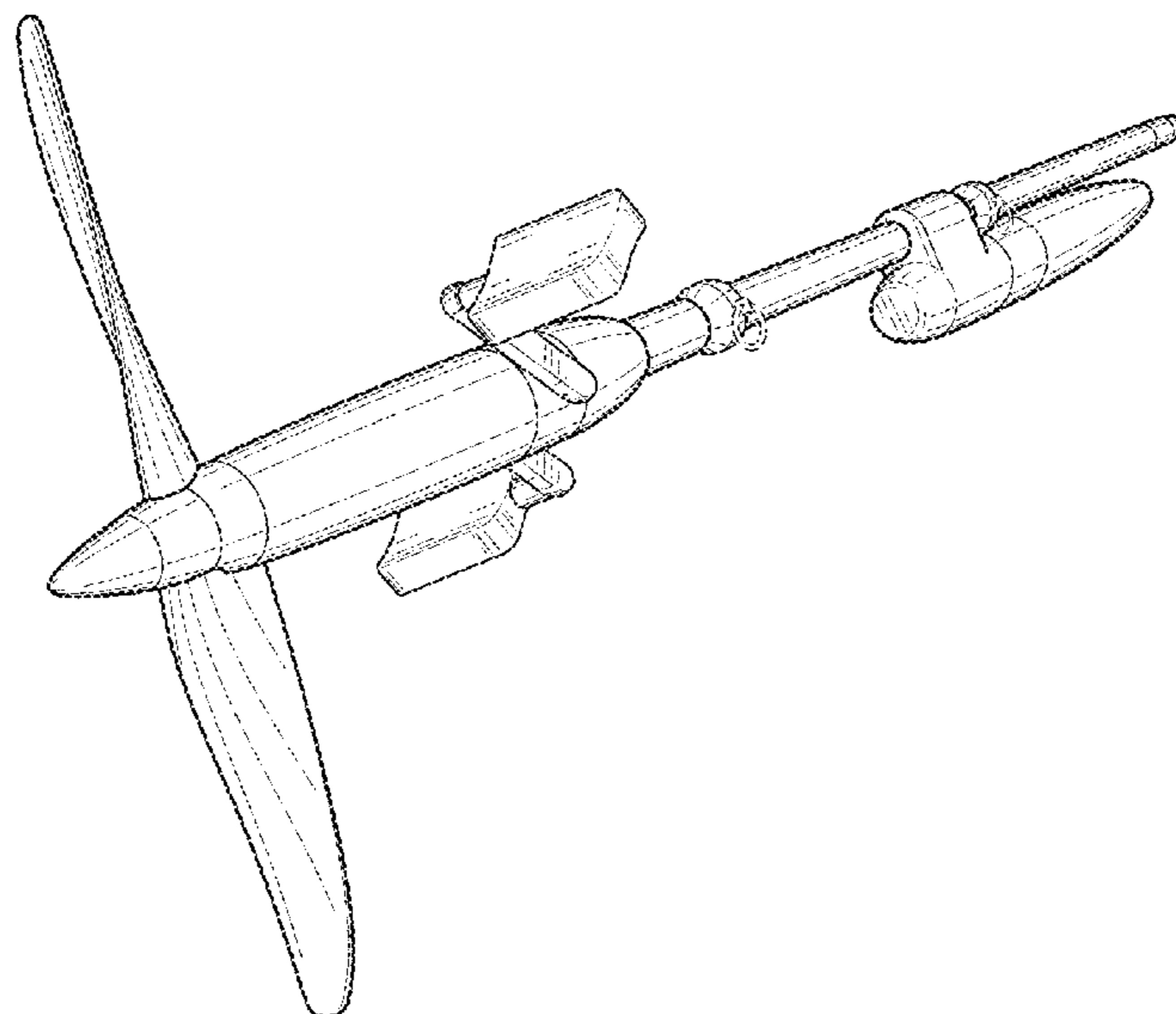
(57) **CLAIM**

The ornamental design for a water movement device, as shown and described.

DESCRIPTION

FIG. 1 is an end perspective view of the water movement device showing my design;
FIG. 2 is a front elevation view thereof;
FIG. 3 is an end elevation view thereof;
FIG. 4 is a side elevation view thereof;
FIG. 5 is a back elevation view thereof;
FIG. 6 is an opposite end elevation view thereof;
FIG. 7 is an opposite side elevation view thereof; and,
FIG. 8 is a front elevation view thereof, showing an attachment in broken lines.
The broken lines in FIGS. 1 & 8 are for the purpose of illustrating attachments to the article that form no part of the claimed design.

1 Claim, 4 Drawing Sheets



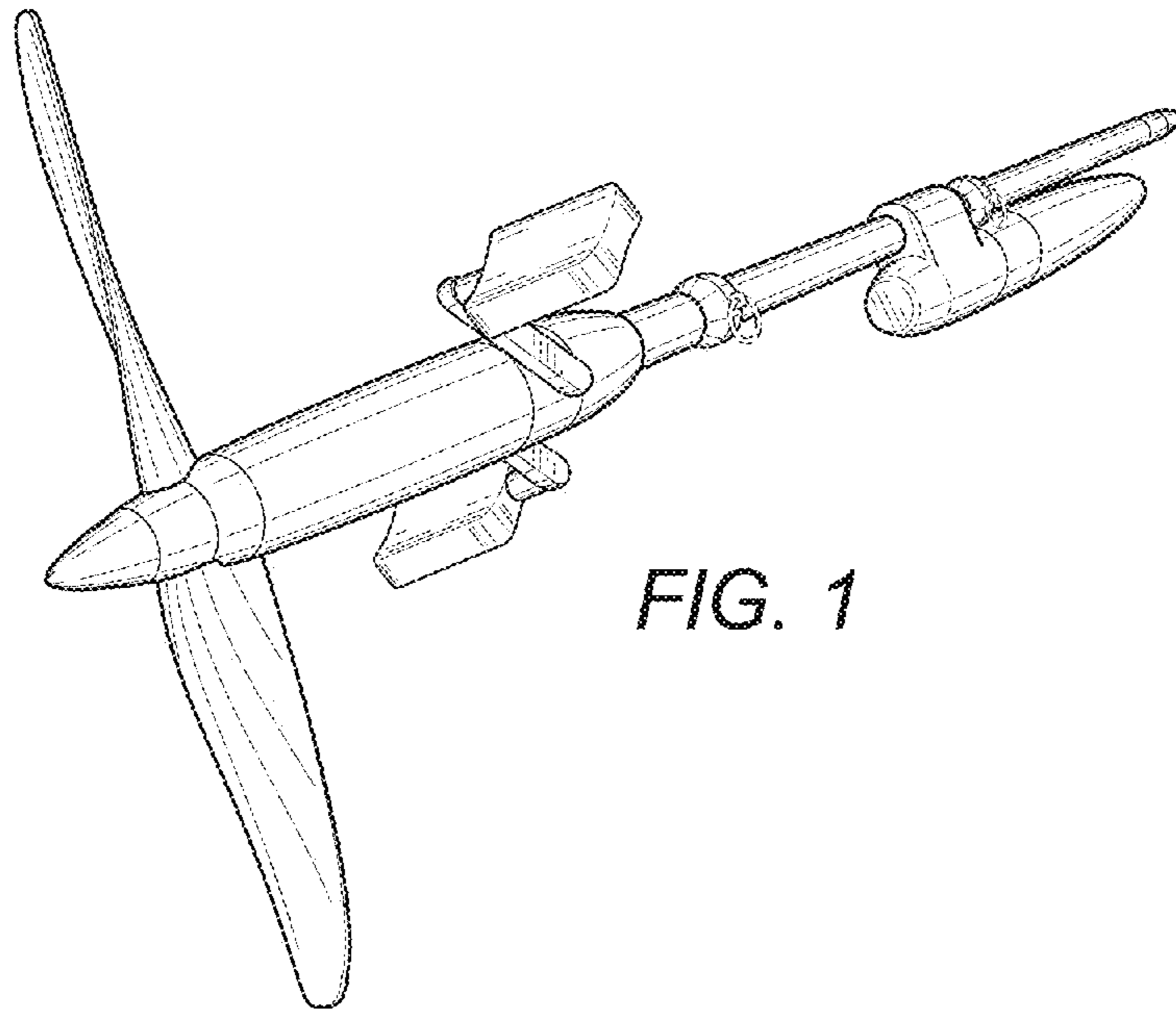


FIG. 1

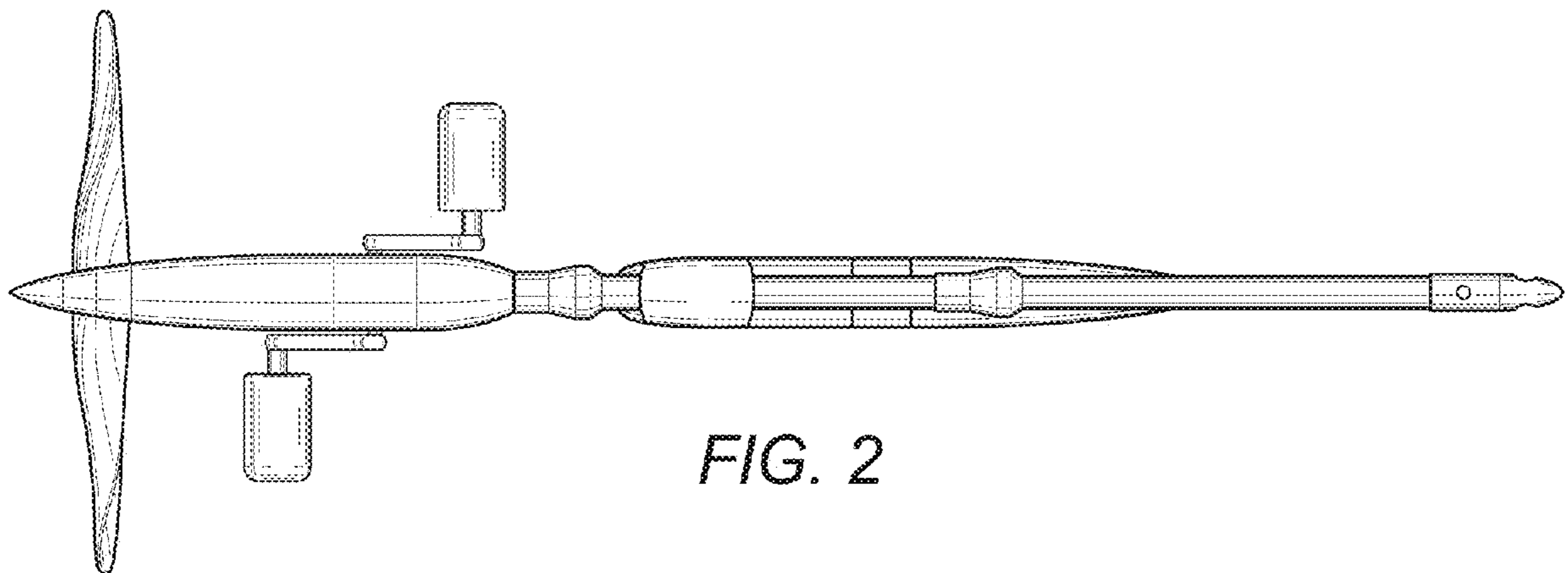


FIG. 2

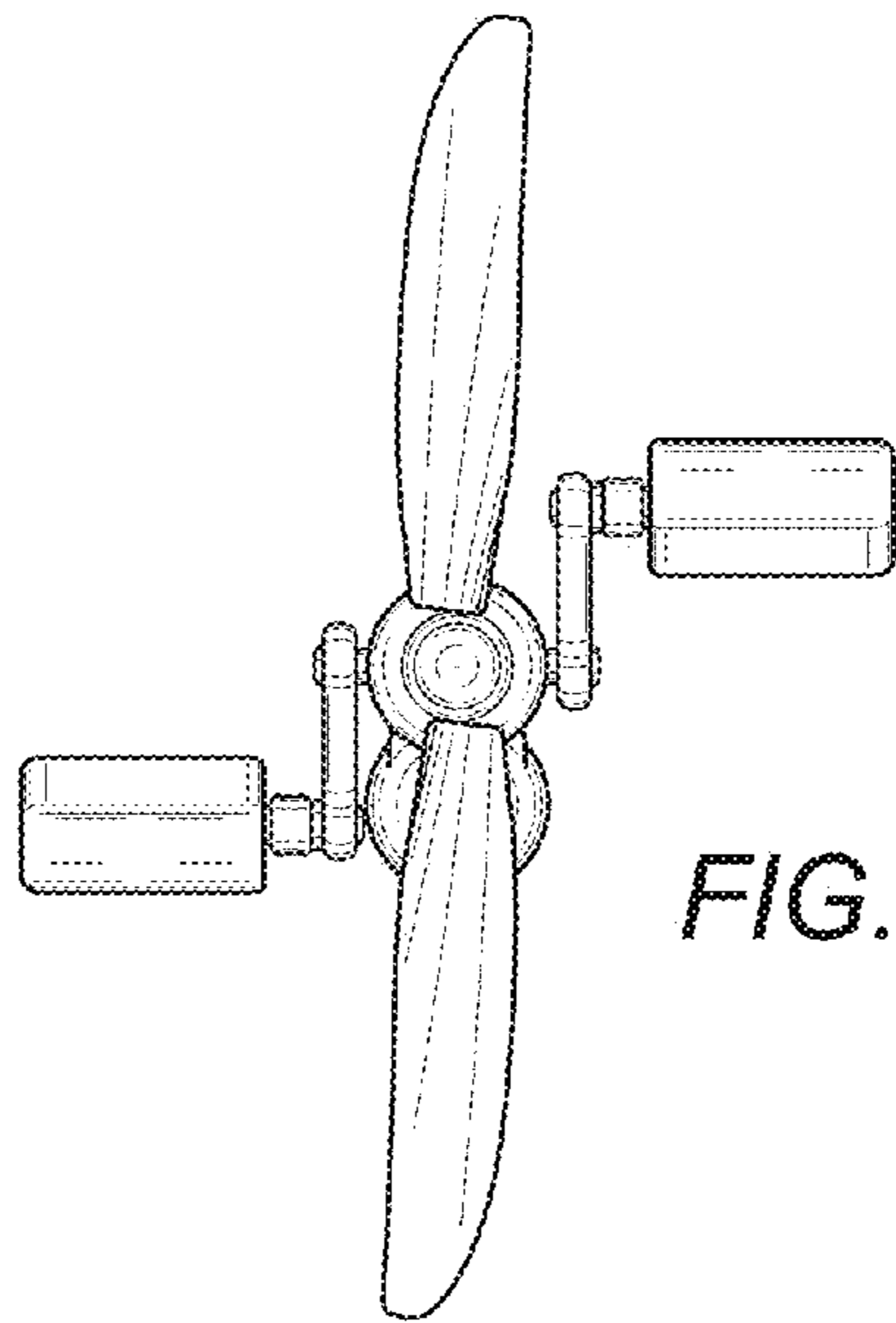


FIG. 3

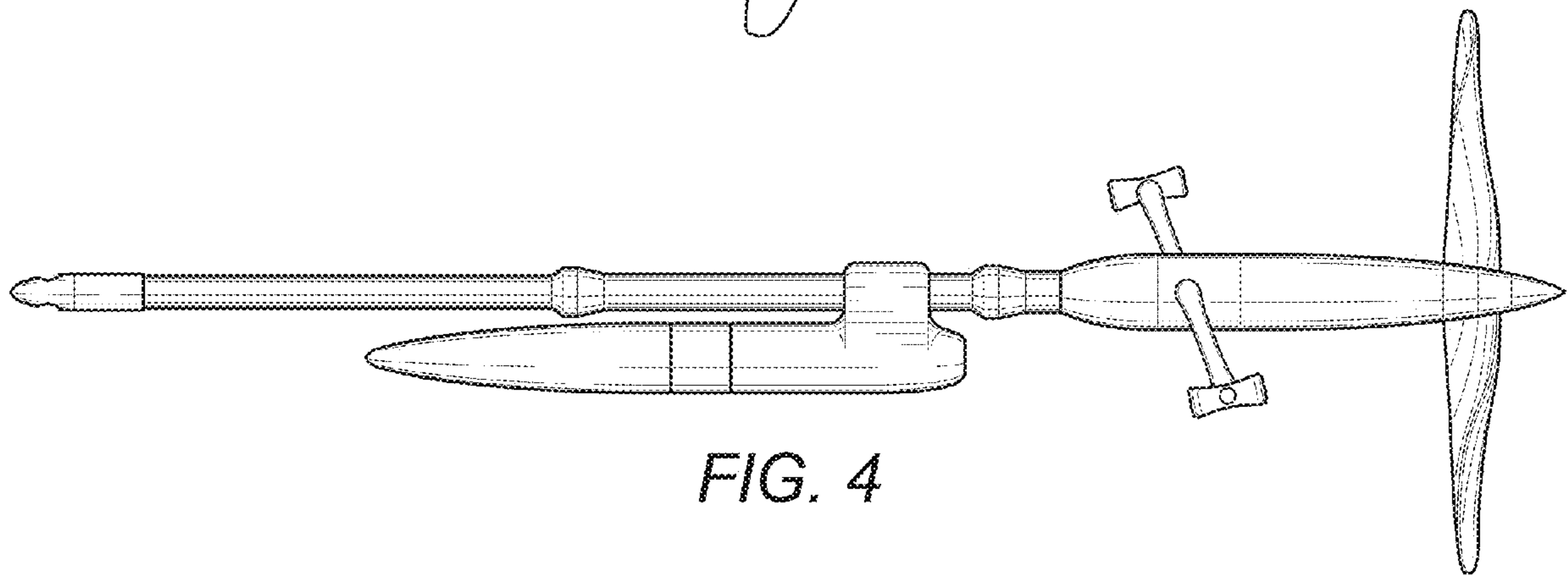


FIG. 4

