



US00D974989S

(12) **United States Design Patent**
Yue

(10) **Patent No.:** **US D974,989 S**
(45) **Date of Patent:** **** Jan. 10, 2023**

(54) **WHEEL STABILIZER**

(71) Applicant: **WALTON.K.K International Business Group, Inc.**, Wellington, FL (US)

(72) Inventor: **Qingsheng Yue**, Wellington, FL (US)

(73) Assignee: **Walton K.K. International Business Group, Inc.**, Wellington, FL (US)

(**) Term: **15 Years**

(21) Appl. No.: **29/809,996**

(22) Filed: **Sep. 30, 2021**

(51) **LOC (14) Cl.** **12-16**

(52) **U.S. Cl.**
USPC **D12/217**

(58) **Field of Classification Search**

USPC D12/217; D34/28, 31
CPC B60T 3/00; B60T 1/04; B66F 3/25; B66F 3/12; B66F 3/22; B66F 3/00; B66F 3/08; B66F 3/38; B66F 13/00; B66F 7/00; B60P 3/077; B64F 1/16; F16D 49/16

See application file for complete search history.

(56) **References Cited**

U.S. PATENT DOCUMENTS

4,148,378	A *	4/1979	Alford	B60T 3/00
					188/74
4,715,480	A *	12/1987	Anderson	B60T 3/00
					188/74
4,804,070	A	2/1989	Bohler		
4,934,489	A *	6/1990	Jackson	B60T 3/00
					188/74
5,158,158	A	10/1992	Balogh et al.		
			(Continued)		

FOREIGN PATENT DOCUMENTS

CA 2644634 C 9/2014

OTHER PUBLICATIONS

Wankic, Published May 25, 2021 [online], [retrieved on Sep. 15, 2022]. Retrieved from the Internet: <https://www.amazon.com/Wankic-Stabilizer-Anti-Move-Stabilizers-Accessories-Pair/dp/B095RXYS2N> (Year: 2021).*

Primary Examiner — Cary M Robinson

Assistant Examiner — Adam C Mager

(74) *Attorney, Agent, or Firm* — Millen, White, Zelano & Branigan, P.C.; William Nixon; Wan-Ching Montfort

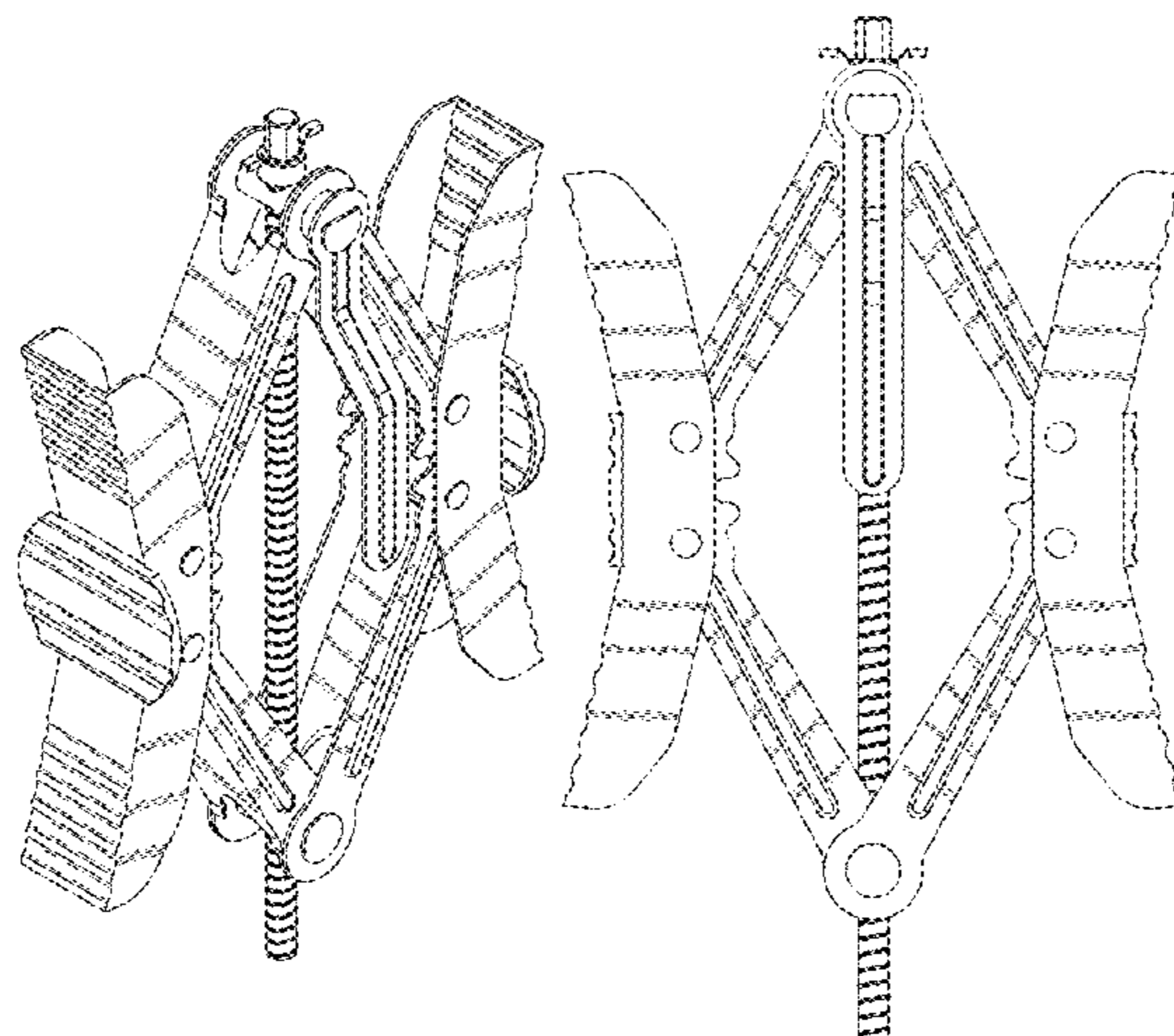
(57) **CLAIM**

I claim the ornamental design for a wheel stabilizer, as shown and described.

DESCRIPTION

FIG. 1 is a perspective view of an wheel stabilizer showing my design;
FIG. 2 is a front elevational view thereof;
FIG. 3 is a rear elevational view thereof;
FIG. 4 is a top plan view thereof;
FIG. 5 is a bottom plan view thereof;
FIG. 6 is a left plan view thereof;
FIG. 7 is a right plan view thereof;
FIG. 8 is another perspective view thereof showing the wheel stabilizer of my design in a fully-opened position;
FIG. 9 is a front elevational view thereof when the wheel stabilizer of my design in a fully-opened position;
FIG. 10 is a rear elevational view thereof when the wheel stabilizer of my design in a fully-opened position;
FIG. 11 is a top plan view thereof when the wheel stabilizer of my design in a fully-opened position;
FIG. 12 is a bottom plan view thereof when the wheel stabilizer of my design in a fully-opened position;
FIG. 13 is a left plan view thereof when the wheel stabilizer of my design in a fully-opened position;
FIG. 14 is a right plan view thereof when the wheel stabilizer of my design in a fully-opened position; and,
FIG. 15 is another perspective view thereof showing the wheel stabilizer of my design in a completely-closed position.

1 Claim, 15 Drawing Sheets



(56)

References Cited

U.S. PATENT DOCUMENTS

D347,821	S *	6/1994	Few	D12/217
5,392,880	A	2/1995	Christian	
5,490,582	A	2/1996	Trowbridge	
5,769,186	A	6/1998	Roberts	
5,975,497	A	11/1999	Few et al.	
D481,849	S *	11/2003	Waltz	D34/31
D516,268	S	2/2006	Gaster	
D535,176	S *	1/2007	Joiner	D8/343
7,284,641	B1	10/2007	Spence, III	
D657,930	S *	4/2012	Savage, Jr.	D34/31
8,365,875	B2 *	2/2013	Garceau	B60T 3/00 254/122
9,610,924	B1 *	4/2017	Searer	B60T 3/00
RE46,876	E	5/2018	Garceau	
D949,770	S *	4/2022	Liang	D12/217
D955,084	S *	6/2022	Li	D34/31
D959,350	S *	8/2022	Lu	D12/217
2002/0096402	A1	7/2002	Tallman et al.	
2008/0232919	A1	9/2008	Anderson et al.	
2010/0140026	A1 *	6/2010	Garceau	B60P 3/077 188/69

* cited by examiner

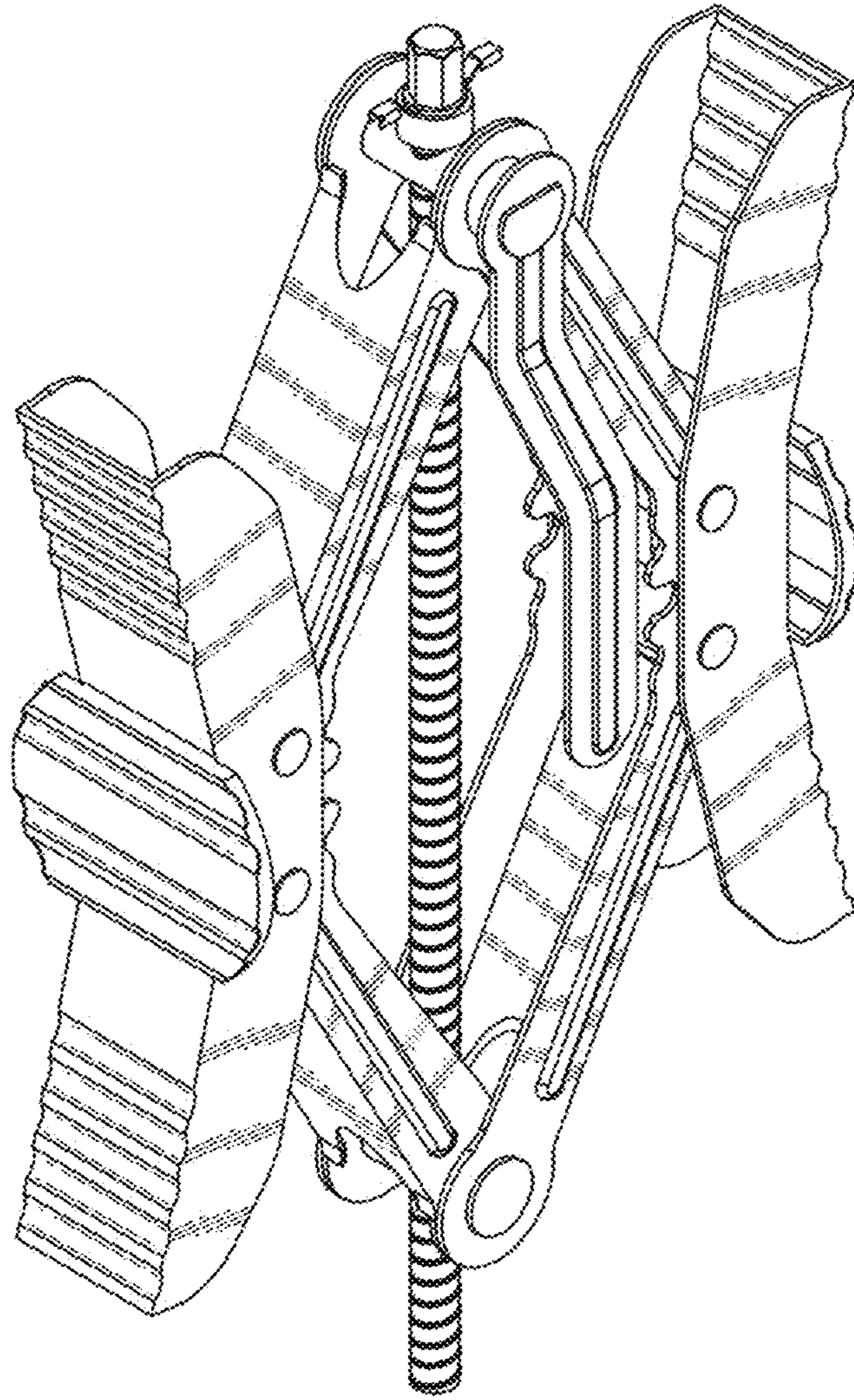


FIG. 1

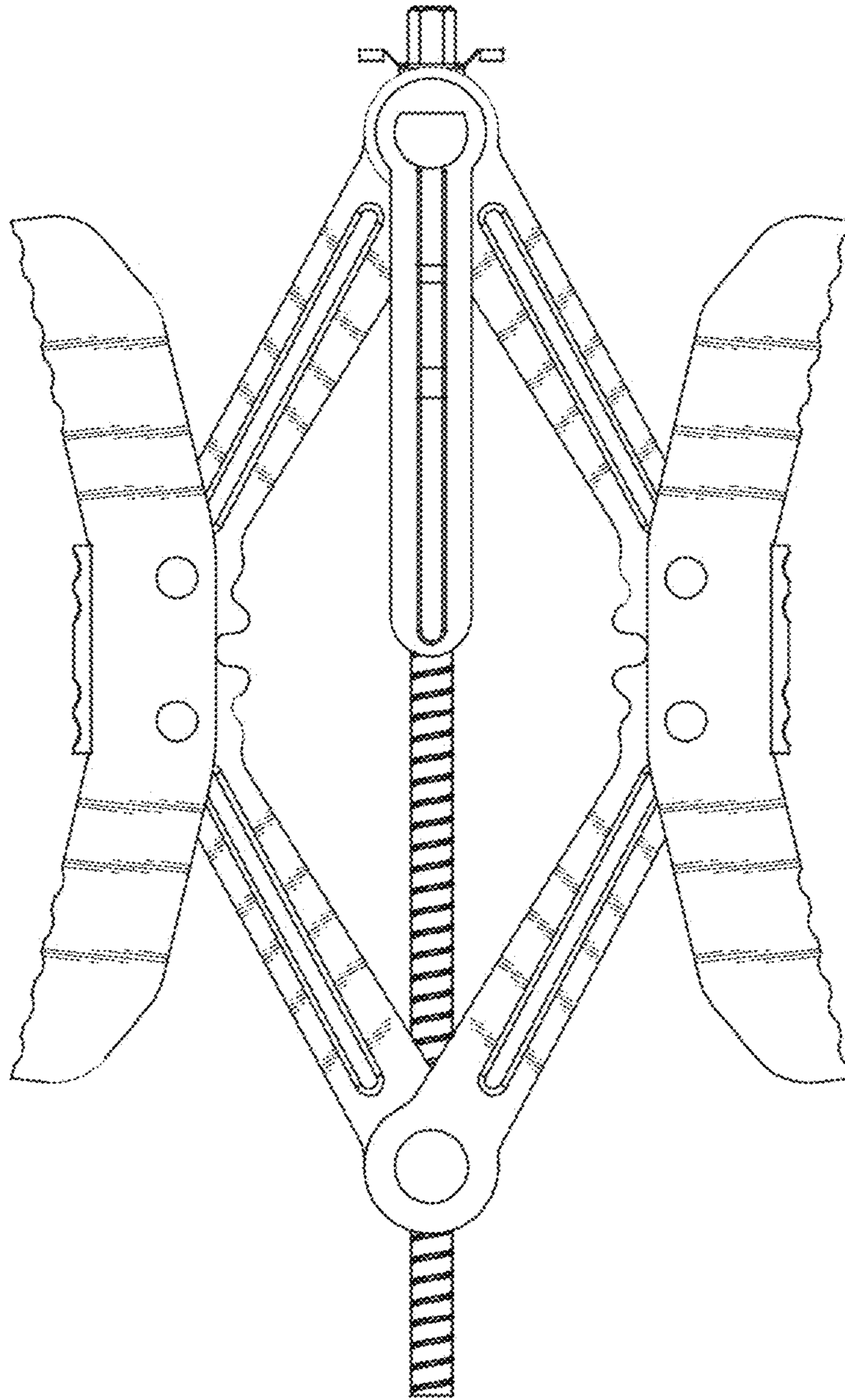


FIG. 2

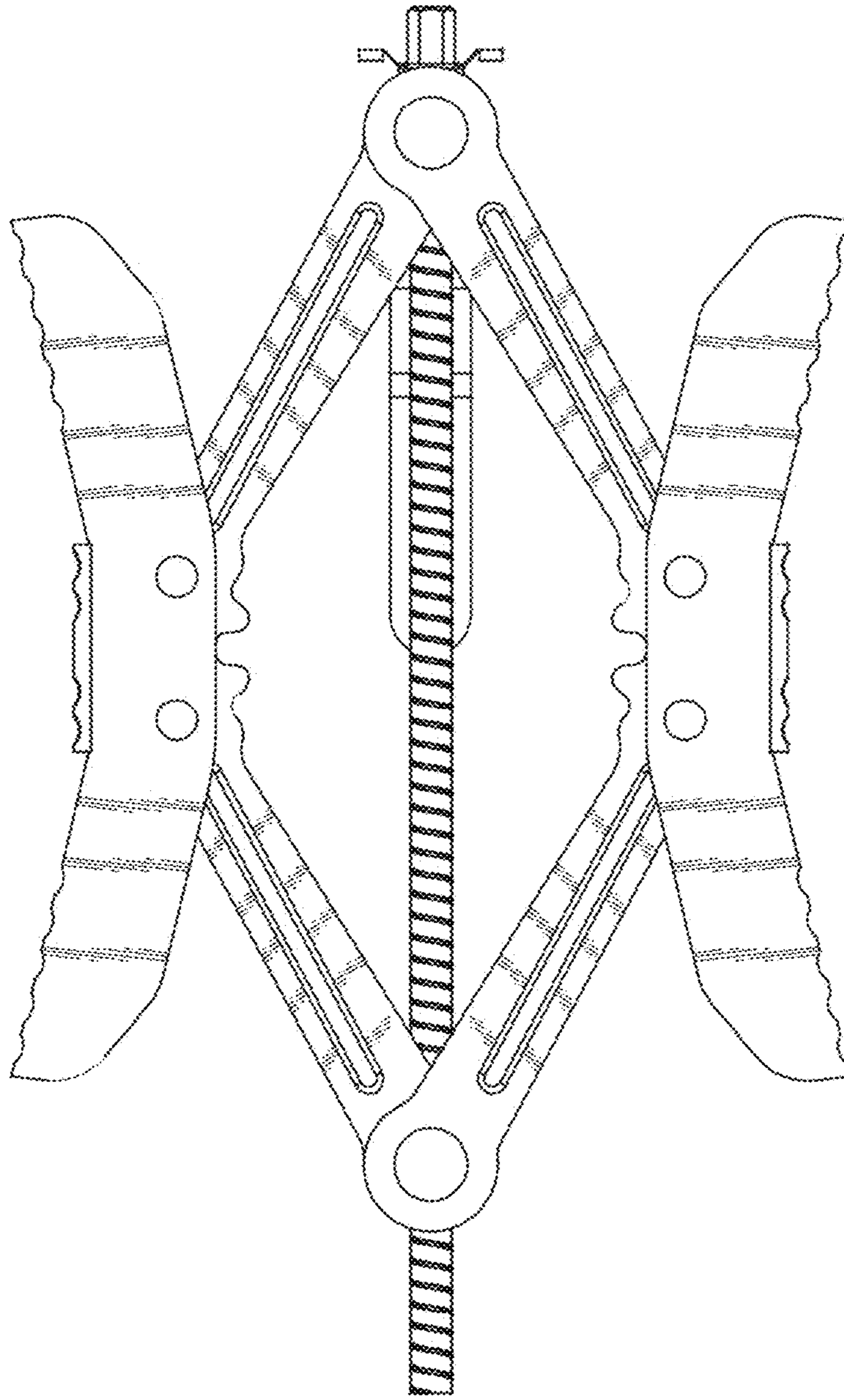


FIG. 3

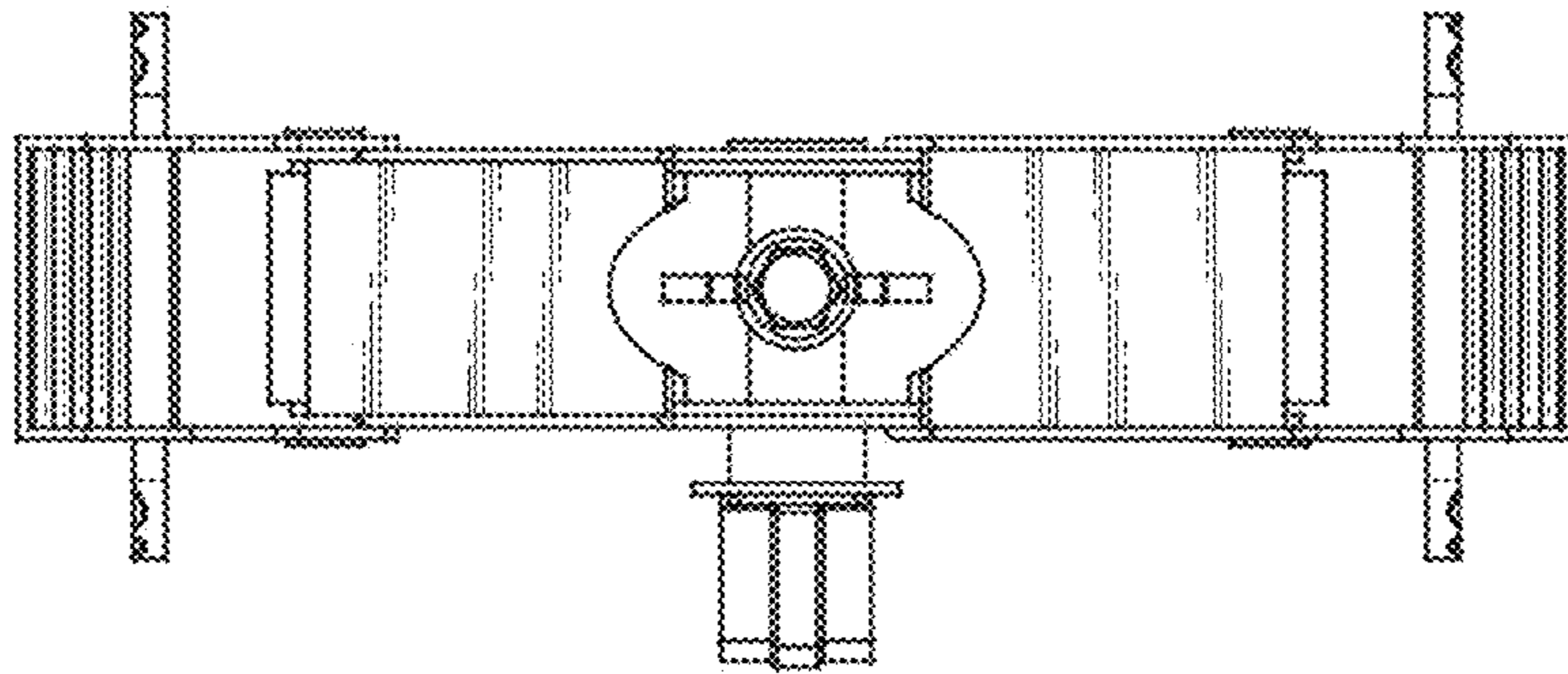


FIG. 4

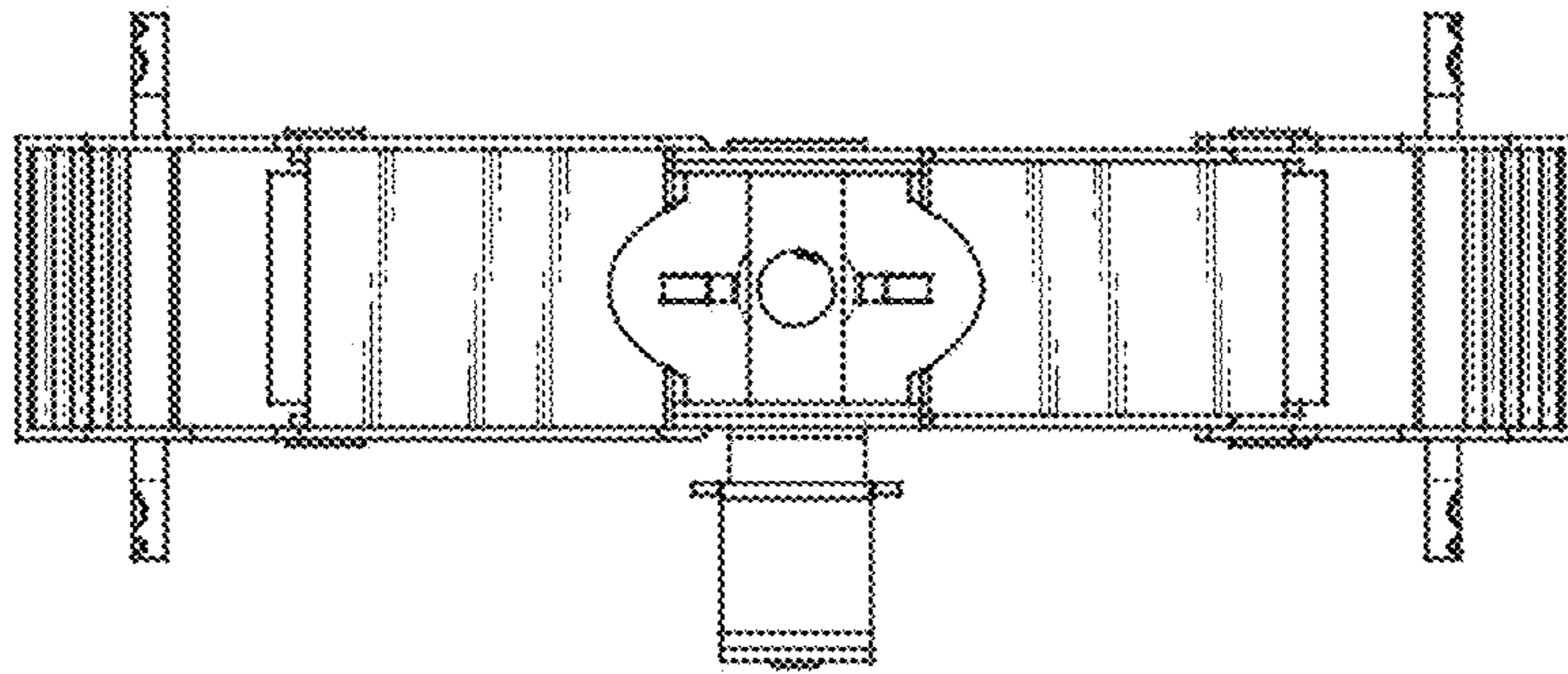


FIG. 5

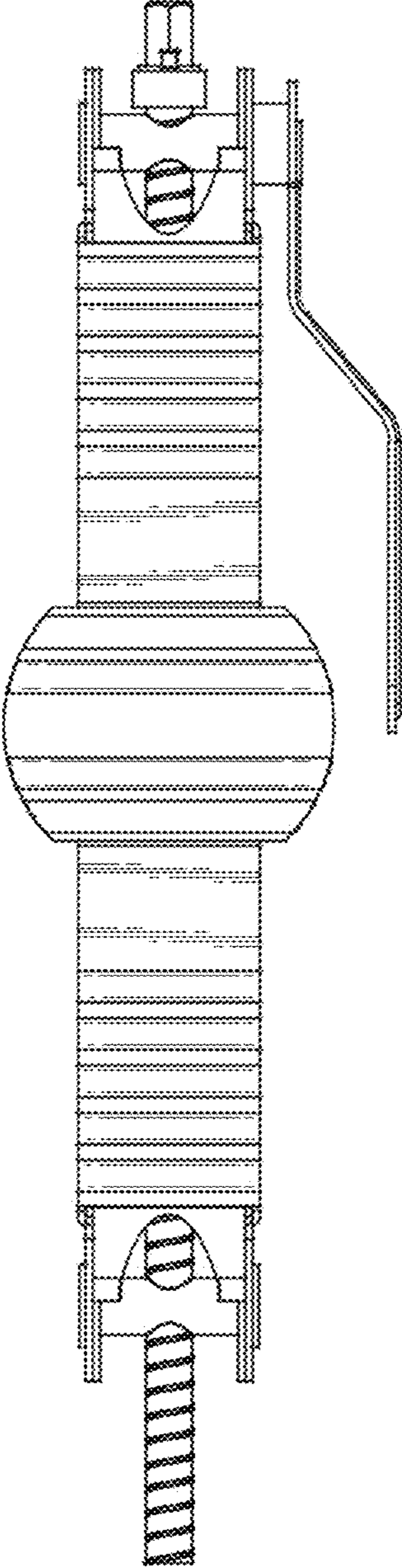


FIG. 6

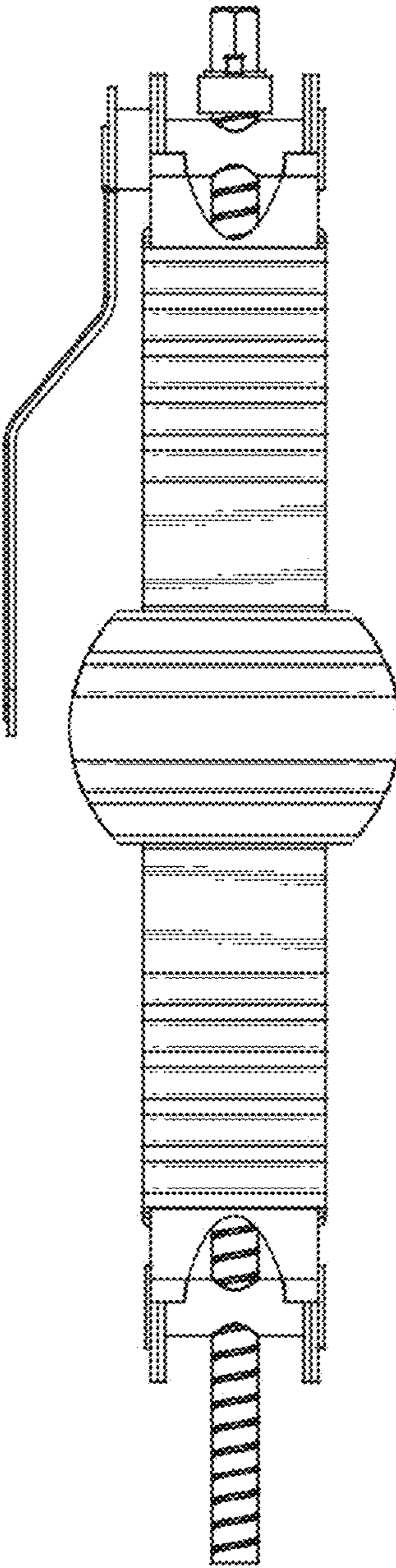


FIG. 7

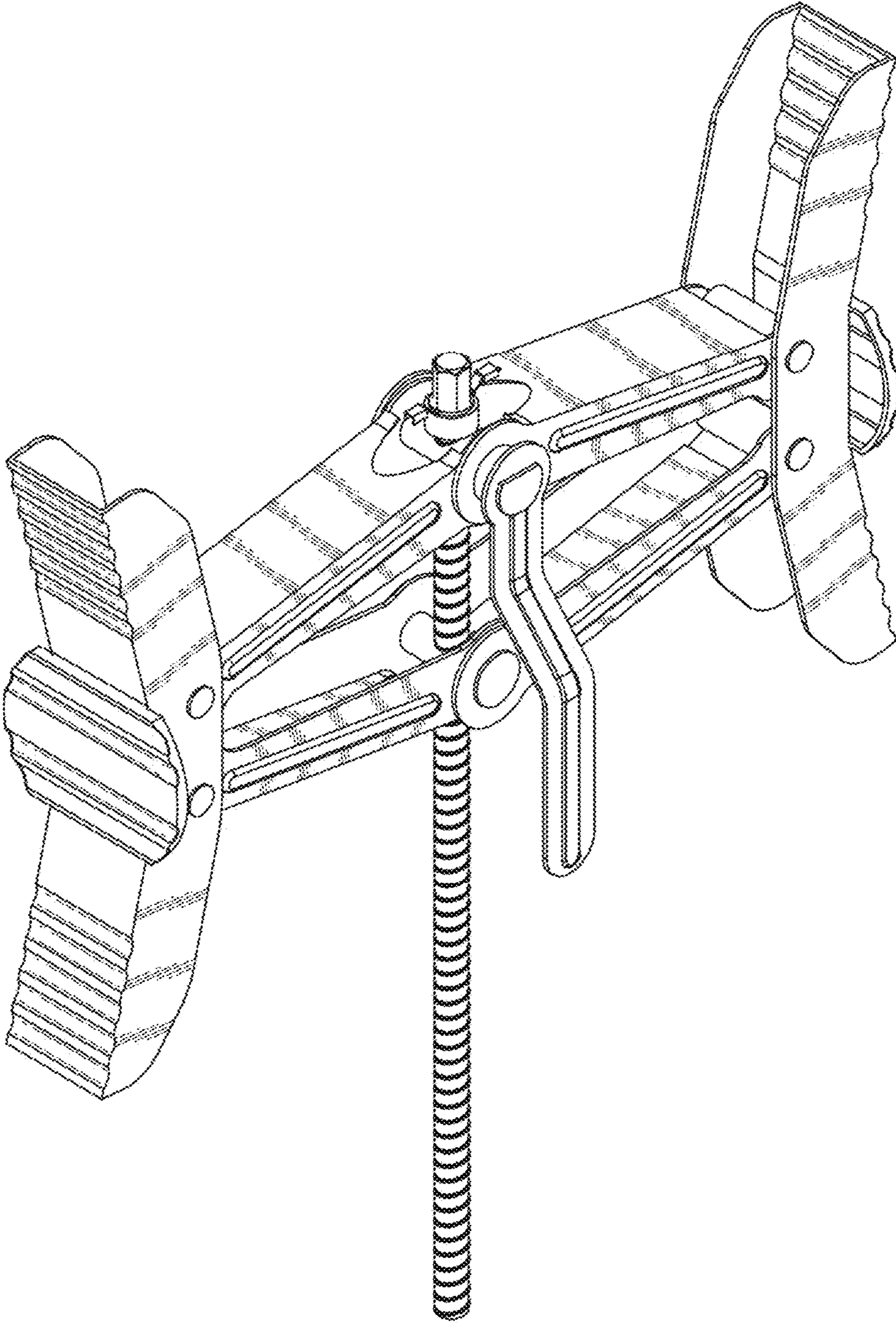


FIG. 8

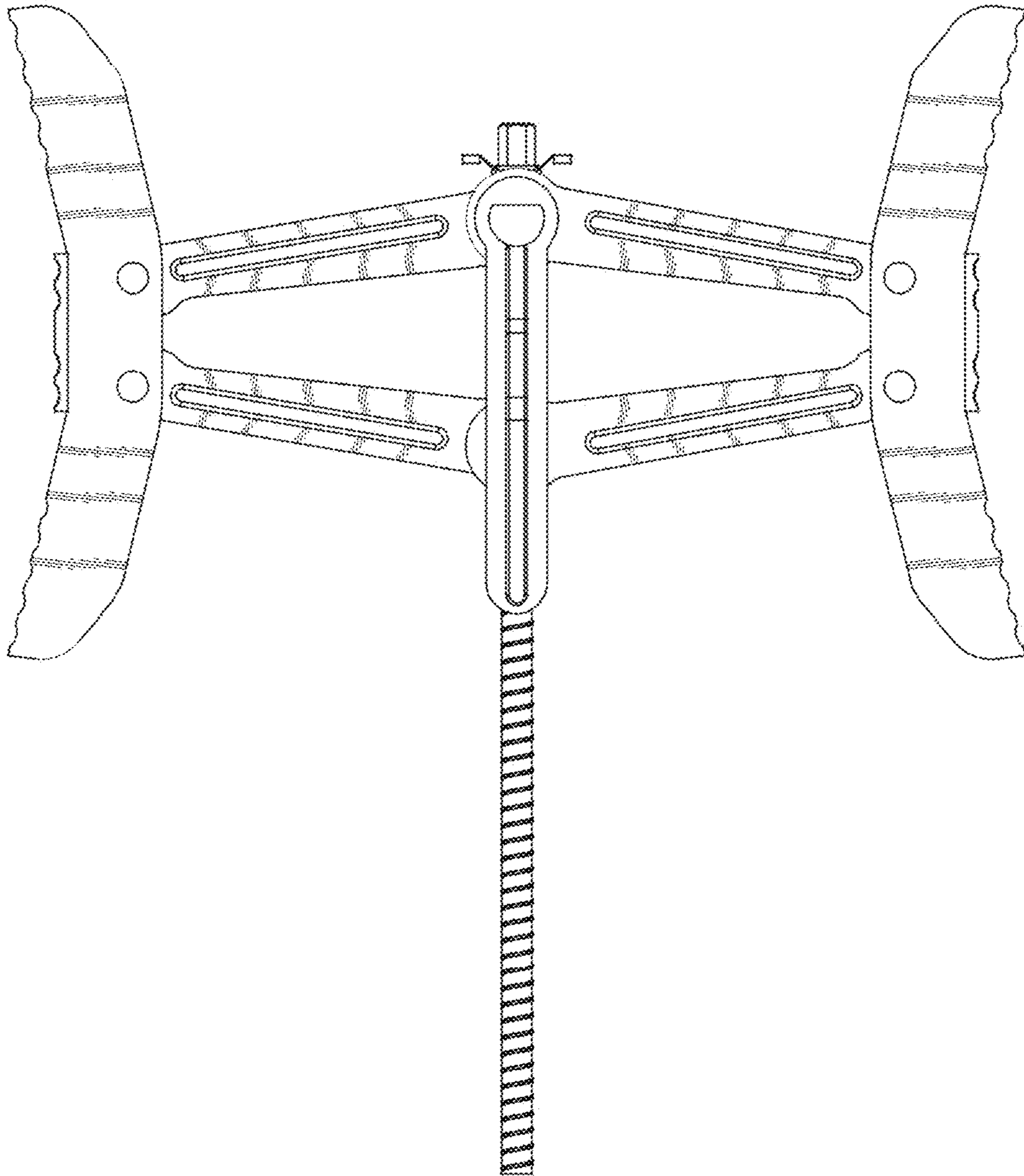


FIG. 9

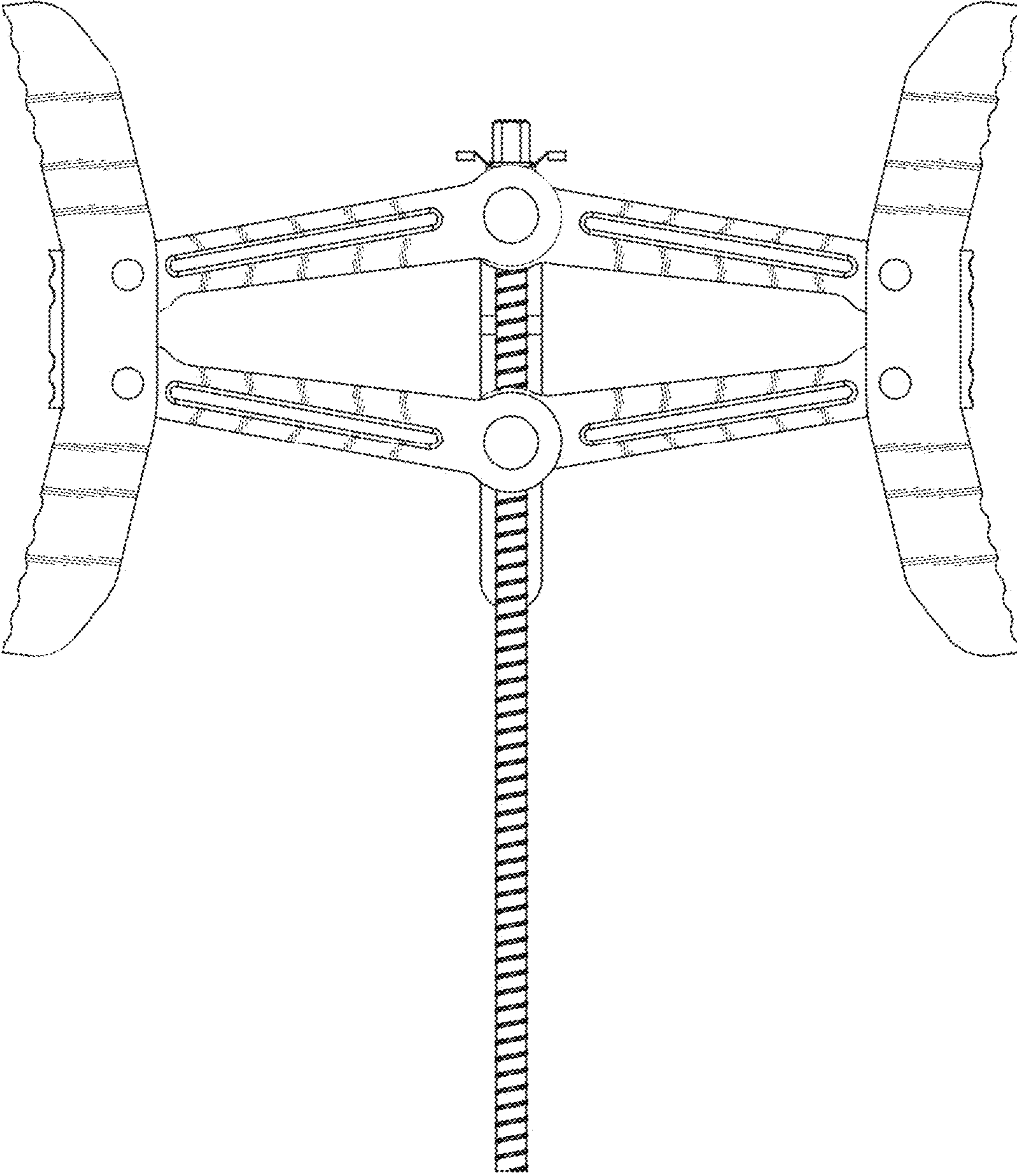


FIG. 10

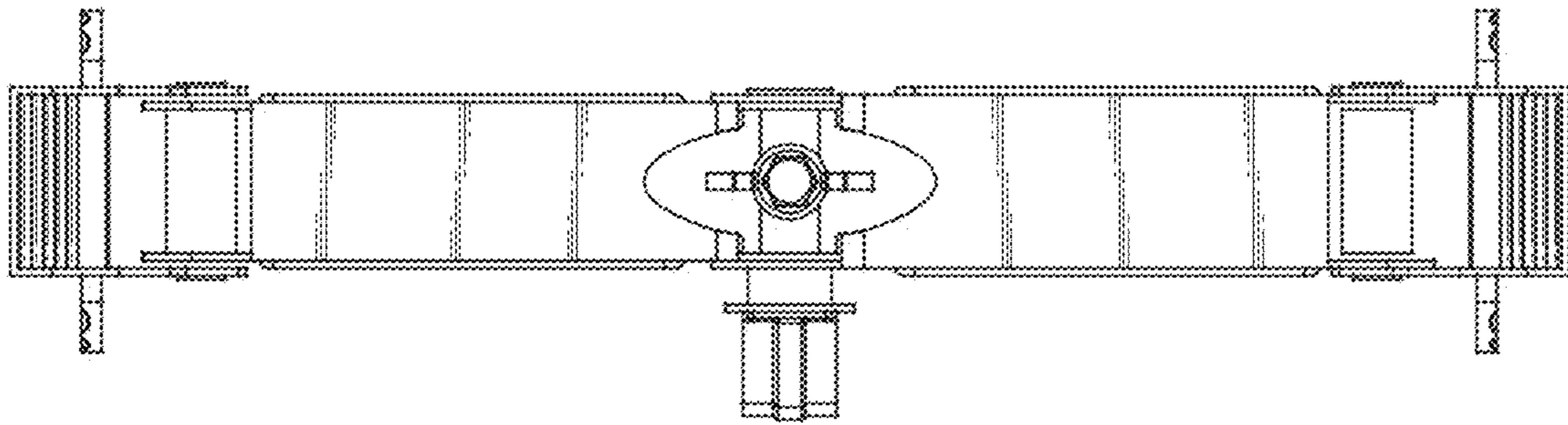


FIG. 11

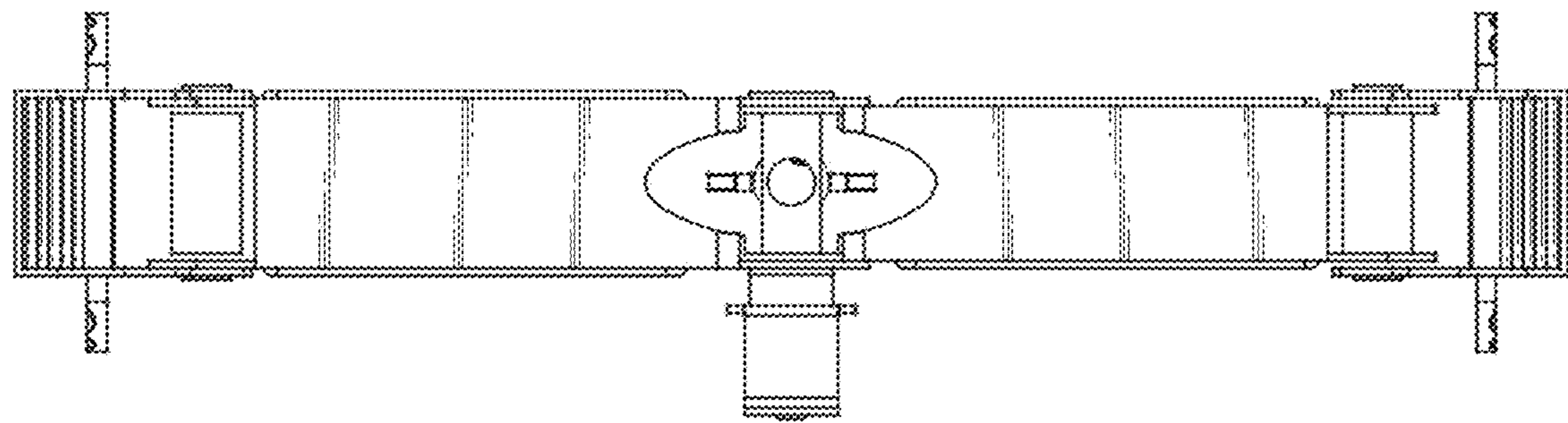


FIG. 12

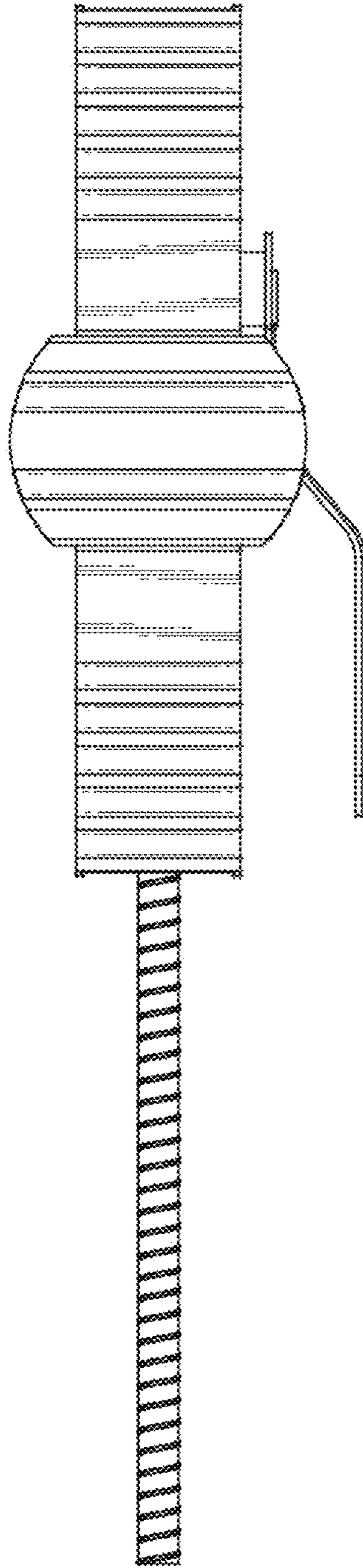


FIG. 13

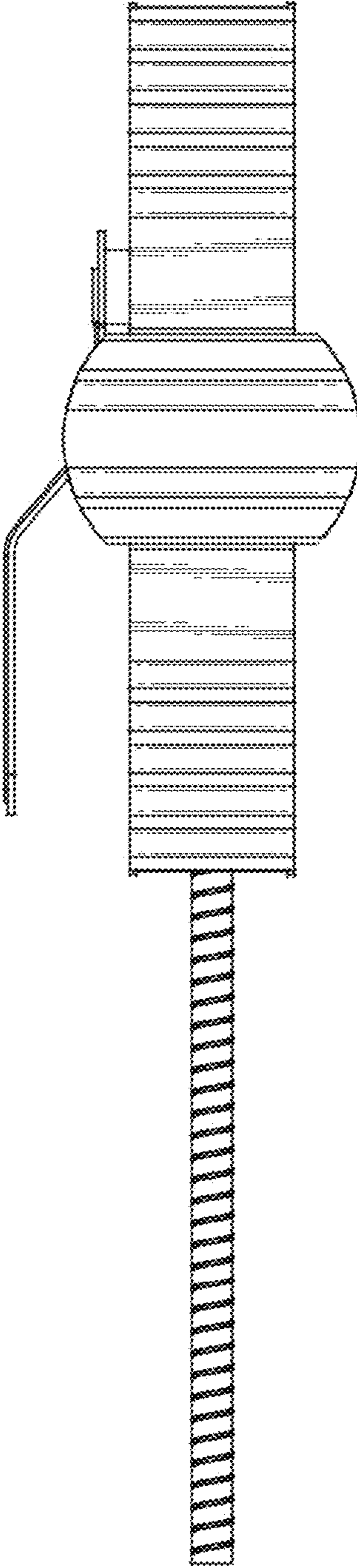


FIG. 14

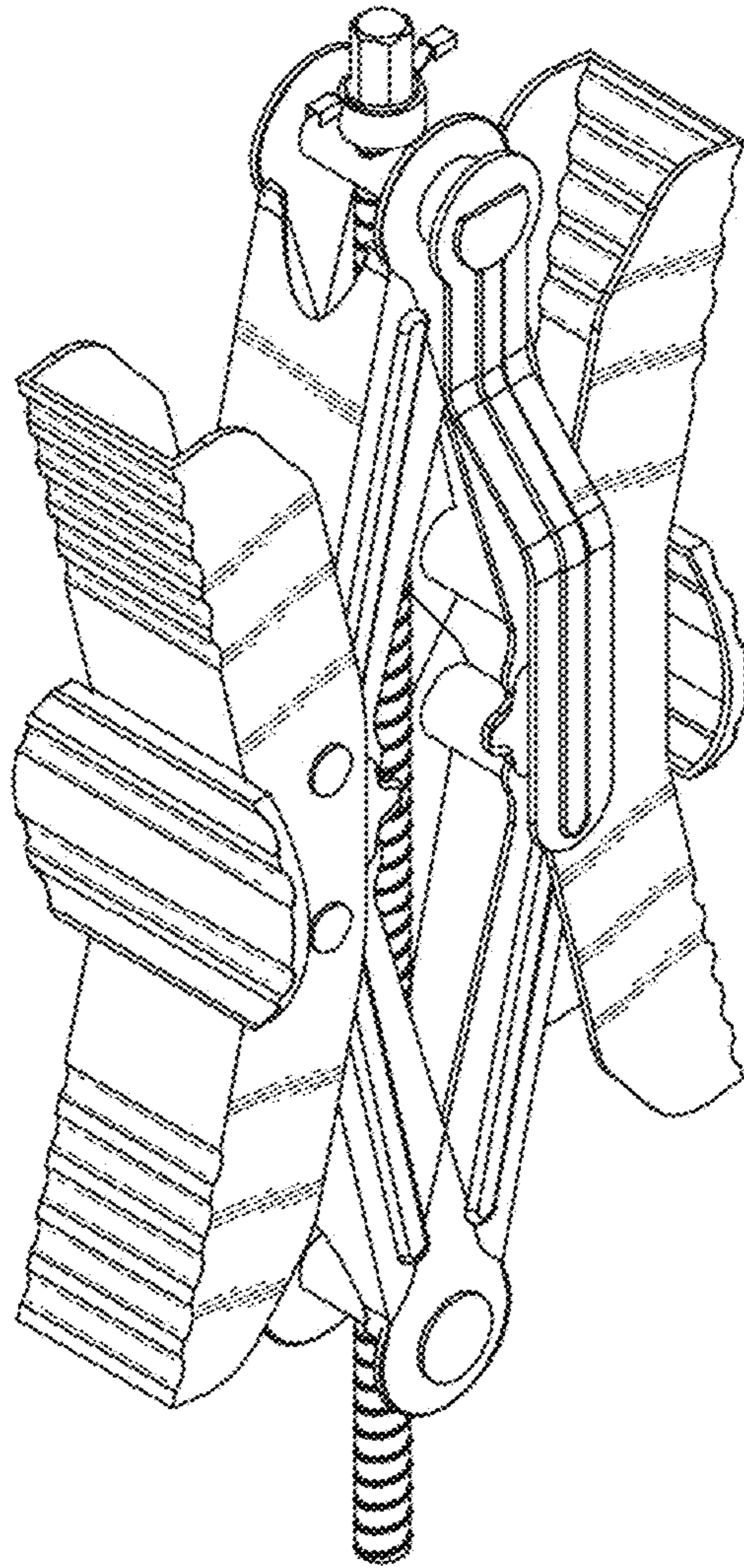


FIG. 15