



US00D974988S

(12) **United States Design Patent**
Thurner

(10) **Patent No.:** **US D974,988 S**

(45) **Date of Patent:** **** Jan. 10, 2023**

(54) **WHEEL RIM**

(71) Applicant: **Mullen Technologies, Inc.**, Brea, CA (US)

(72) Inventor: **Andreas Thurner**, Irvine, CA (US)

(73) Assignee: **MULLEN TECHNOLOGIES, INC.**, Brea, CA (US)

(**) Term: **15 Years**

(21) Appl. No.: **29/786,964**

(22) Filed: **Jun. 3, 2021**

(51) **LOC (14) Cl.** **12-16**

(52) **U.S. Cl.**
USPC **D12/209; D12/211**

(58) **Field of Classification Search**
USPC D12/204–213; D21/563
CPC B60B 7/00; B60B 7/02; B60B 7/04; B60B 7/01; B60B 7/06; B60B 3/02; B60B 3/04; B60B 3/06; B60B 3/10; B60B 1/00; B60B 1/08; B60B 1/10; B60B 1/12
See application file for complete search history.

(56) **References Cited**

U.S. PATENT DOCUMENTS

D614,114 S	*	4/2010	Kim	D12/211
D761,182 S	*	7/2016	Valencia Pollex	D12/211
D763,766 S	*	8/2016	Alfonso	D12/211
D785,533 S	*	5/2017	Pires	D12/209

D786,767 S	*	5/2017	Bjerke	D12/209
D796,410 S	*	9/2017	Churchill	D12/211
D815,578 S	*	4/2018	Zhao	D12/211
D847,076 S	*	4/2019	Peat	D12/211
D866,443 S	*	11/2019	Peat	D12/211
D867,965 S	*	11/2019	Wheel	D12/211
D901,360 S	*	11/2020	Rosello Visa	D12/211
D906,215 S	*	12/2020	Badstuebner	D12/209
D908,064 S	*	1/2021	Mukti	D12/209
D917,369 S	*	4/2021	Baum	D12/211
D924,774 S	*	7/2021	Bernardi	D12/211
D938,880 S	*	12/2021	Skelley	D12/209

* cited by examiner

Primary Examiner — Calvin E Vansant

(74) *Attorney, Agent, or Firm* — Van Court & Aldridge LLP

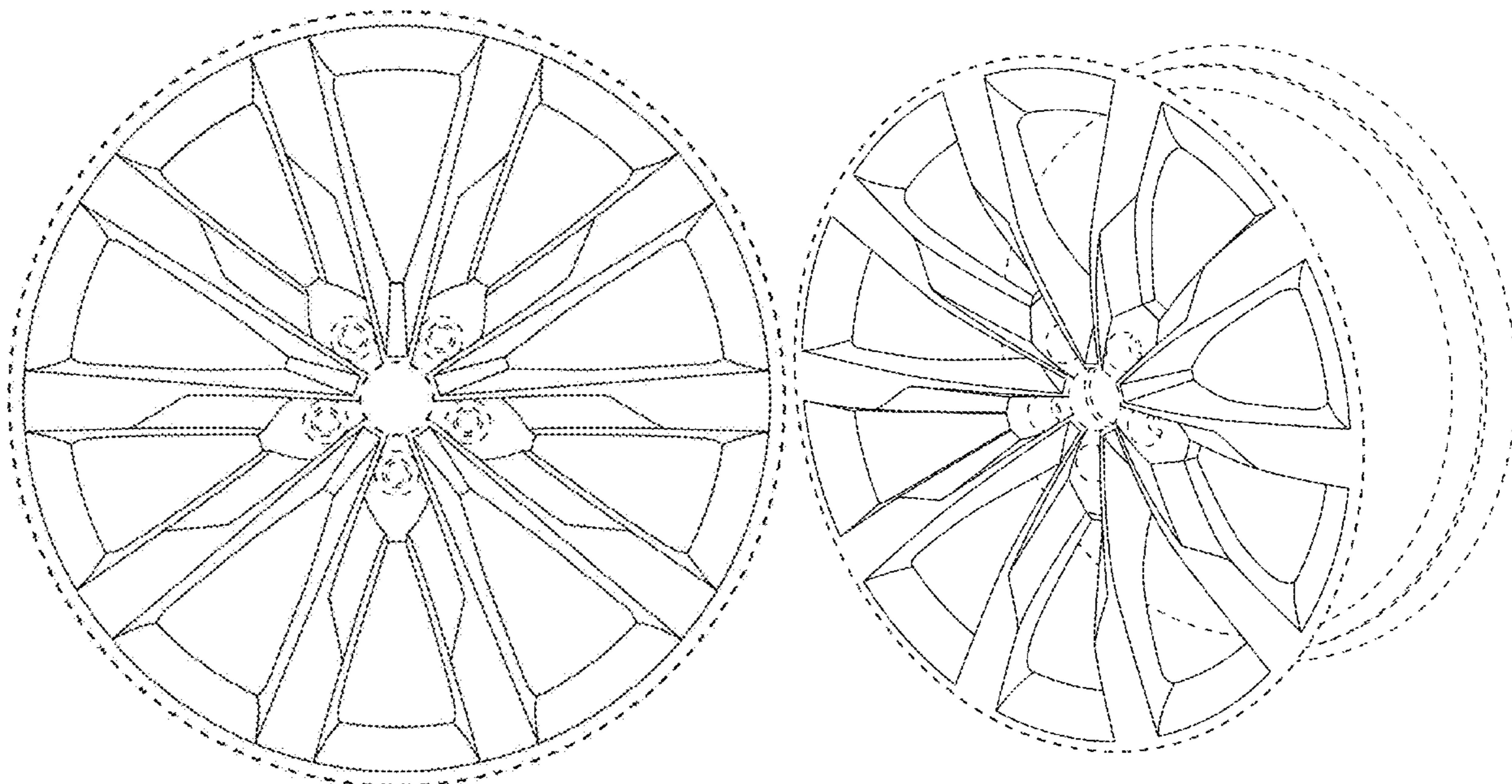
(57) **CLAIM**

I claim the ornamental design for a wheel rim, as shown and described.

DESCRIPTION

FIG. 1 is a front elevation view of a wheel rim of the new design.
FIG. 2 is a top, front, right side perspective view thereof; and,
FIG. 3 is a cross-sectional view thereof.
The broken lines depicting portions of the wheel rim form no part of the claim.

1 Claim, 3 Drawing Sheets



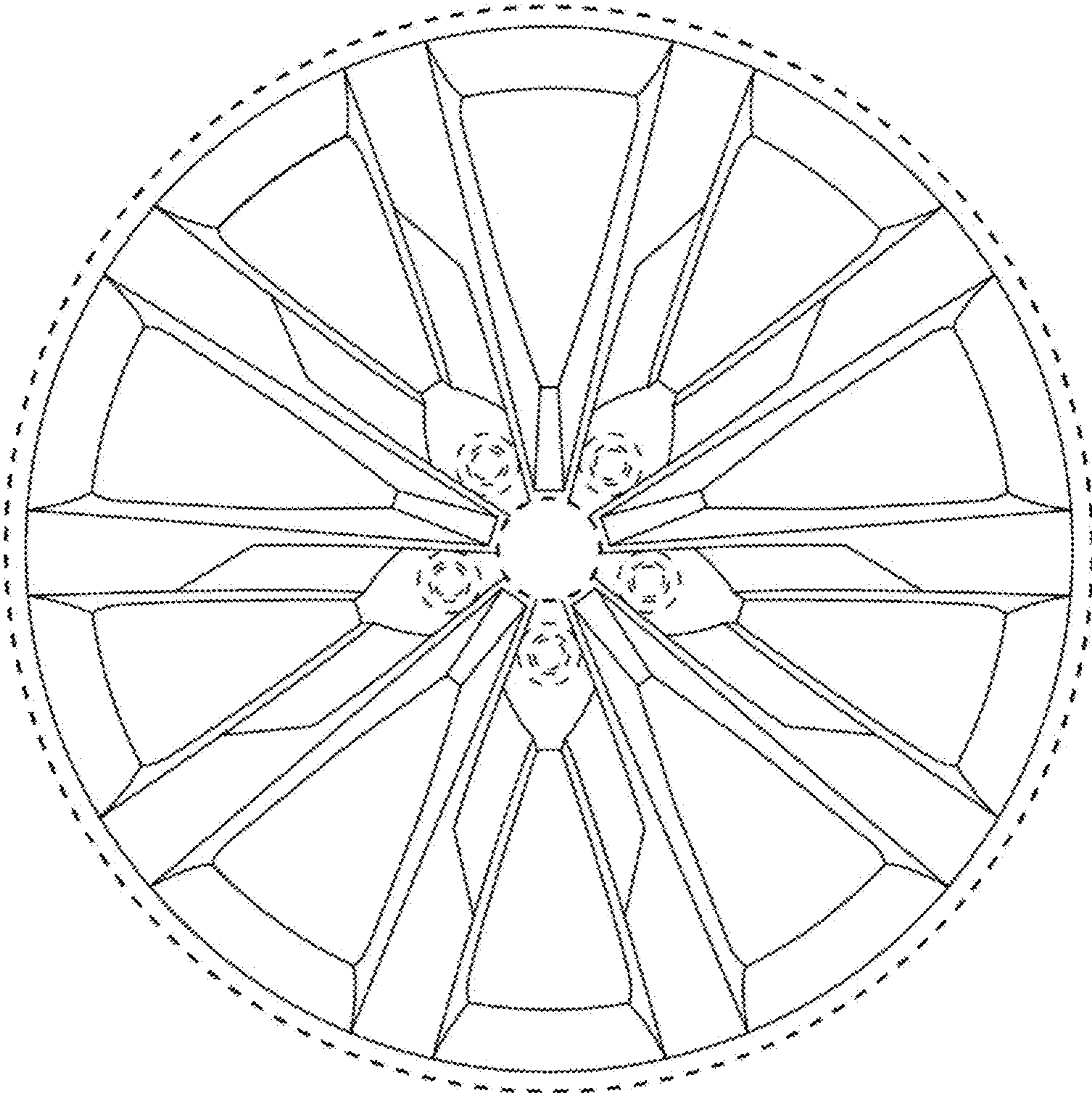


FIG. 1

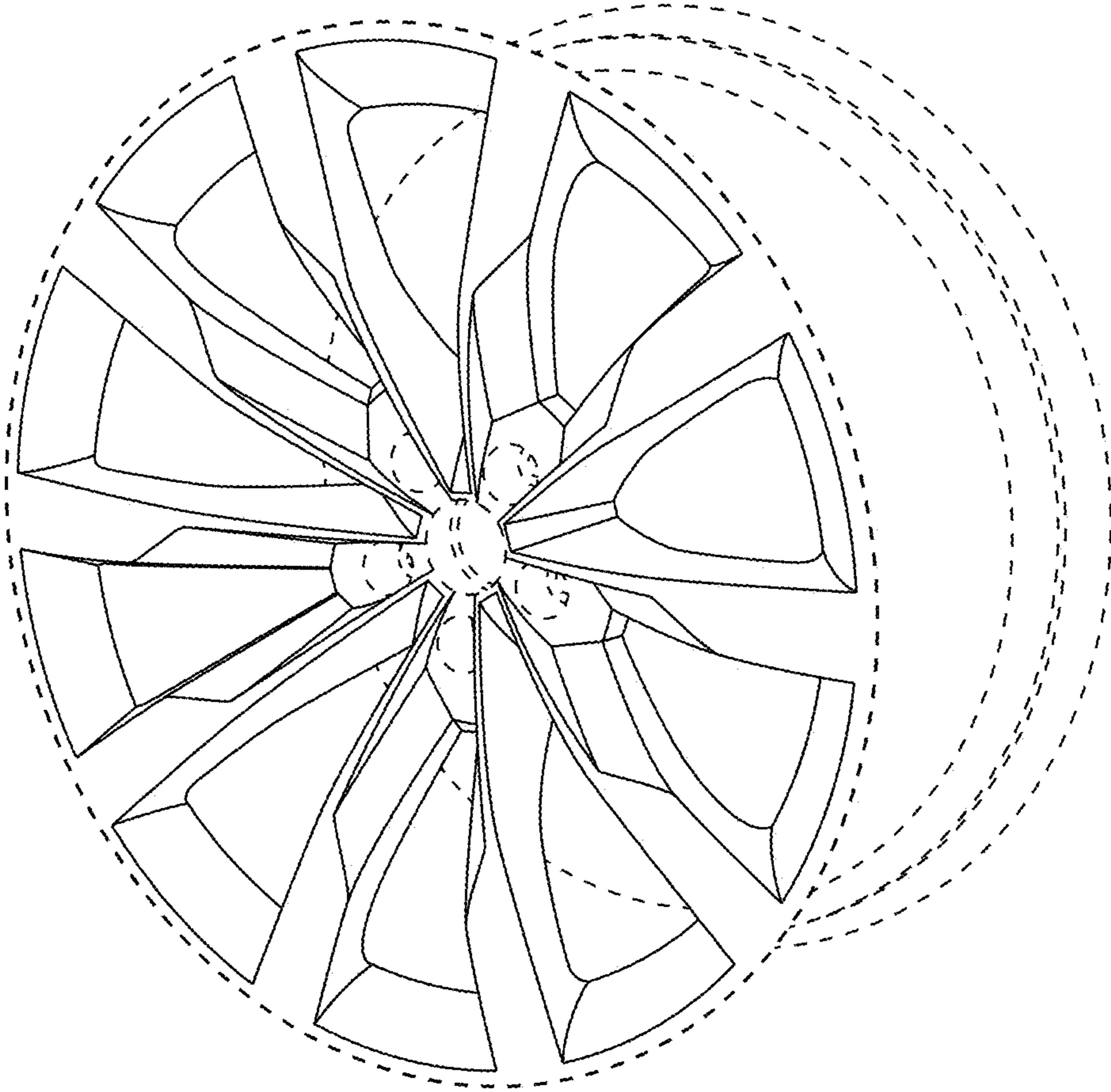


FIG. 2

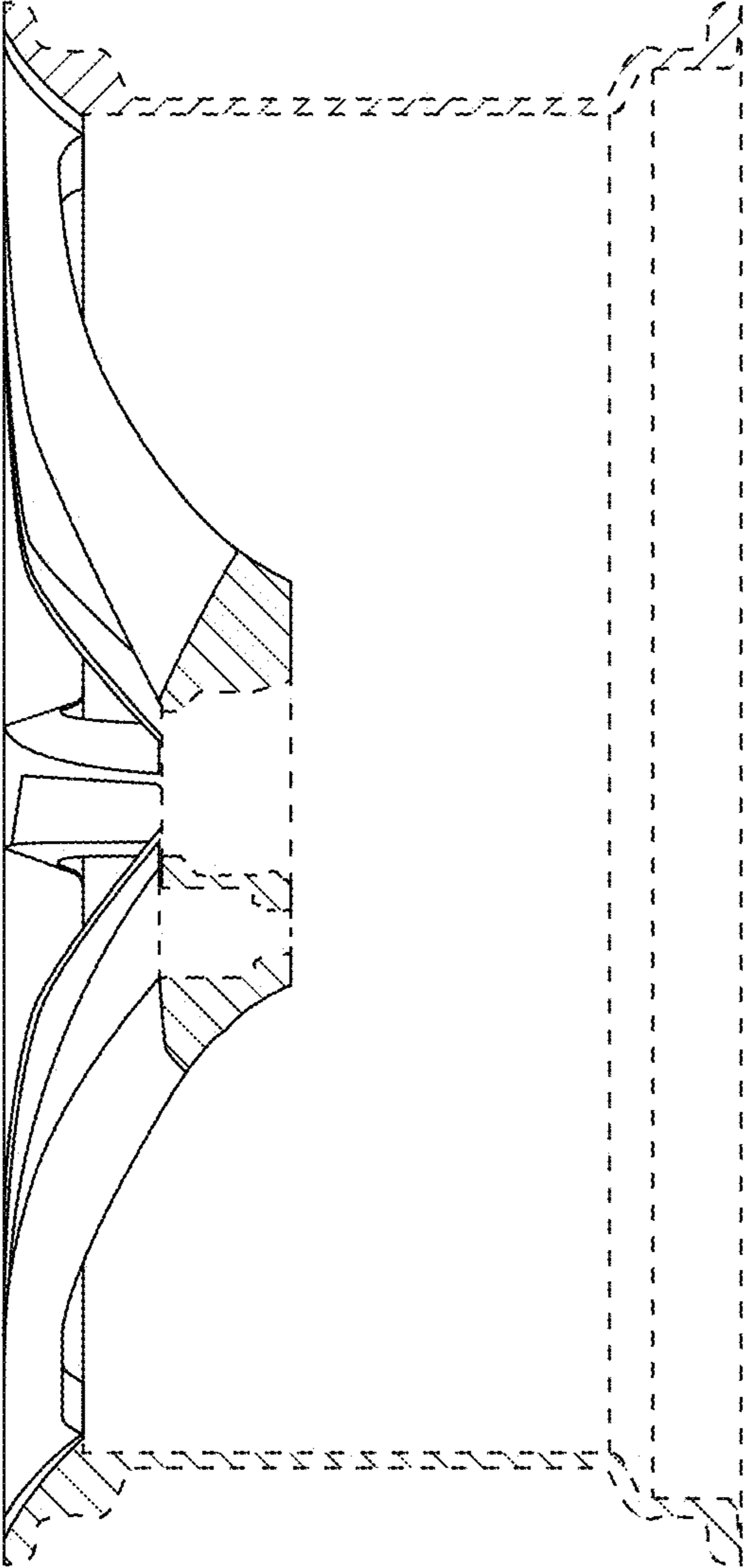


FIG. 3