



US00D974987S

(12) **United States Design Patent**
Kalha

(10) **Patent No.:** **US D974,987 S**
(45) **Date of Patent:** **** Jan. 10, 2023**

(54) **VEHICLE WHEEL RIM**

D934,770 S * 11/2021 Schell D12/209
D940,628 S * 1/2022 Rosello Visa D12/209
D942,347 S * 2/2022 Takeda D12/209

(71) Applicant: **VOLKSWAGEN**
AKTIENGESELLSCHAFT,
Wolfsburg (DE)

FOREIGN PATENT DOCUMENTS

(72) Inventor: **Ranbir Kalha,** Wolfsburg (DE)

CN 306978652 * 12/2021
CN 307001757 * 12/2021
CN 307442131 * 7/2022
WO DM102231 7/2018
WO DM200793 1/2019
WO DM203048 8/2019
WO DM203240 8/2019
WO DM203305 9/2019
WO DM204739 11/2019

(73) Assignee: **VOLKSWAGEN**
AKTIENGESELLSCHAFT,
Wolfsburg (DE)

(**) Term: **15 Years**

(Continued)

(21) Appl. No.: **29/766,054**

(22) Filed: **Jan. 13, 2021**

OTHER PUBLICATIONS

(30) **Foreign Application Priority Data**

Aug. 18, 2020 (DE) 40 2020 100 784.6

(51) **LOC (14) Cl.** **12-16**

(52) **U.S. Cl.**
USPC **D12/209**

(58) **Field of Classification Search**
USPC D12/204-213; D21/563
CPC B60B 7/00; B60B 7/02; B60B 7/04; B60B
7/06; B60B 3/02; B60B 3/04; B60B 3/06;
B60B 3/08; B60B 3/10; B60B 1/00;
B60B 1/08; B60B 1/10; B60B 1/12
See application file for complete search history.

Factory Wheel Replacement New 16x7" 16 Inch Machined and Black Aluminum Alloy Wheel Rim, available in Amazon.com, date first available Oct. 25, 2019 [online], [site visited Oct. 3, 2022], Available from the internet URL: https://www.amazon.com/Factory-Replacement-Machined-Aluminum-ALY64095U45N/dp/B09K7XSTD8/ref=sr_1_185.*

(Continued)

Primary Examiner — Darlington Ly
Assistant Examiner — D. Ryan Tisdale
(74) *Attorney, Agent, or Firm* — Lucas & Mercanti, LLP;
Klaus P. Stoffel

(56) **References Cited**

U.S. PATENT DOCUMENTS

6,070,947 A * 6/2000 Hoyle, Jr. B60B 7/14
301/108.4
D877,019 S * 3/2020 Valencia Pollex D12/209
D881,775 S * 4/2020 Meng D12/209
D896,720 S * 9/2020 Woodhouse D12/209
D908,581 S * 1/2021 Valencia Pollex D12/209
D919,541 S * 5/2021 Bjerke D12/209
D922,296 S * 6/2021 Andoh D12/209

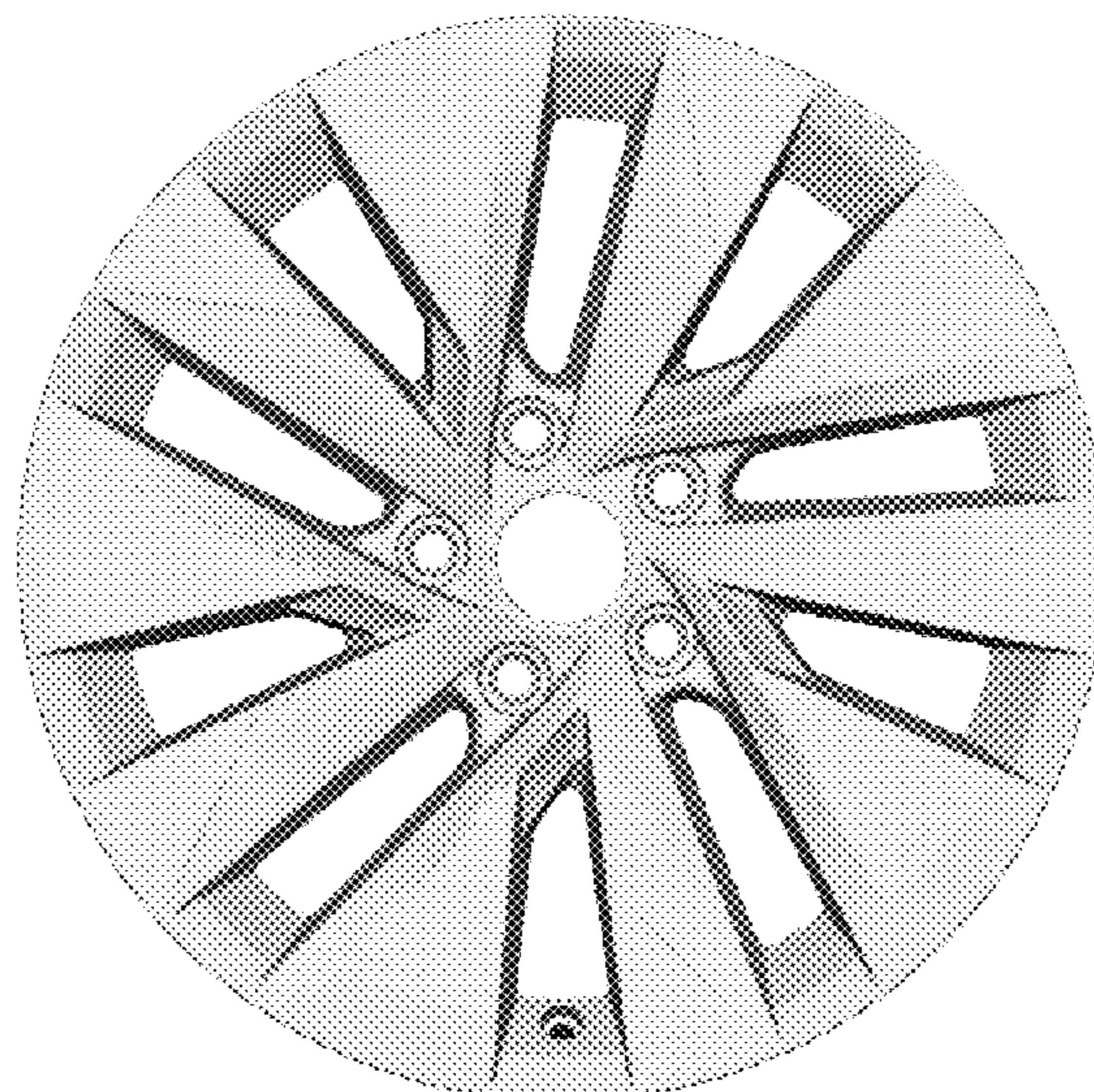
(57) **CLAIM**

The ornamental design for a vehicle wheel rim, as shown and described.

DESCRIPTION

FIG. 1 is a front view of the vehicle wheel rim of the present design; and,
FIG. 2 is a front, side perspective view thereof.

1 Claim, 2 Drawing Sheets



(56)

References Cited

FOREIGN PATENT DOCUMENTS

WO	DM208750	6/2020
WO	DM208948	6/2020
WO	D211161-003	* 9/2021

OTHER PUBLICATIONS

Road Ready Wheel For 14-16 Honda CR-V 17x7 Inch 5 Lug Aluminum Rim Fits R17 Tire, available in Amazon.com, date first available Sep. 2, 2016 [online], [site visited Oct. 3, 2022], Available from the internet URL: https://www.amazon.com/Road-Ready-2014-2016-Silver-Aluminum/dp/B01LFBD9A0/ref=sr_1_229?crd=1EOQVY37KYTTD&key.*

MSW Type 42 Machined w/Gloss Black Accent, available in TireRack.com, date first available Jun. 25, 2022 [online], [site visited Oct. 3, 2022], Available from the internet URL: <https://www.tirerack.com/wheels/msw-type-42-machined-w-gloss-black-accent>.*

* cited by examiner



Fig. 1



Fig. 2