



US00D974984S

(12) **United States Design Patent** (10) **Patent No.:** **US D974,984 S**
Spencer et al. (45) **Date of Patent:** **** Jan. 10, 2023**

(54) **LICENSE PLATE FRAME**
(71) Applicant: **Cruiser Accessories, LLC**, Monument, CO (US)
(72) Inventors: **Todd R. Spencer**, Monument, CO (US); **Mark Hunter Basenberg, Jr.**, Colorado Springs, CO (US)
(73) Assignee: **Cruiser Accessories, LLC**, Monument, CO (US)

D527,193 S * 8/2006 Park D6/300
D613,074 S * 4/2010 Dathe D6/300
D631,415 S * 1/2011 Spencer D12/193
D662,448 S * 6/2012 Krankkala D12/193
D672,297 S * 12/2012 Dong D12/193
D721,998 S * 2/2015 Spencer D12/193
D763,940 S * 8/2016 Bourque D16/135
D774,431 S * 12/2016 Alesi D12/193
D791,665 S * 7/2017 Filakousky D12/193
D833,352 S * 11/2018 Reshetnyak D12/193

(Continued)

(**) Term: **15 Years**

(21) Appl. No.: **29/794,642**

(22) Filed: **Jun. 14, 2021**

(51) **LOC (14) Cl.** **12-16**

(52) **U.S. Cl.**
USPC **D12/193**

(58) **Field of Classification Search**
USPC D12/193; D16/135; D6/300–303, D6/310–314
CPC B60R 13/105; B60R 19/24
See application file for complete search history.

(56) **References Cited**

U.S. PATENT DOCUMENTS

D243,378 S * 2/1977 Tharp D6/300
D244,771 S * 6/1977 Bott D6/300
D354,087 S * 1/1995 Dunlap D12/193
D408,341 S * 4/1999 Spencer D12/193
D411,975 S * 7/1999 Spencer D12/193
D412,307 S * 7/1999 Hartmann D12/193
D413,847 S * 9/1999 Hartmann D12/193
D416,527 S * 11/1999 Steinhagen D12/193
D437,816 S * 2/2001 Hussaini D12/193
D455,106 S * 4/2002 Yang D12/193
D464,300 S * 10/2002 Ohm D12/193
D488,418 S * 4/2004 Russo D12/193
D488,753 S * 4/2004 Spencer D12/193
D516,483 S * 3/2006 Eidsmore D12/193

OTHER PUBLICATIONS

Web Archive.org/cruierframes.com bevel black, published Jan. 30, 2022[retrieved on Aug. 12, 2022]. Retrieved from the internet<https://web.archive.org/web/20220707131349/https://www.cruiserframes.com/images/58950FOP-bevel_black-inpack_t.png> (Year: 2022).*

(Continued)

Primary Examiner — Joseph Kukella
Assistant Examiner — Lavon M. Amerson
(74) *Attorney, Agent, or Firm* — Stanley J. Gradisar
Attorney At Law, LLC; Stanley J. Gradisar

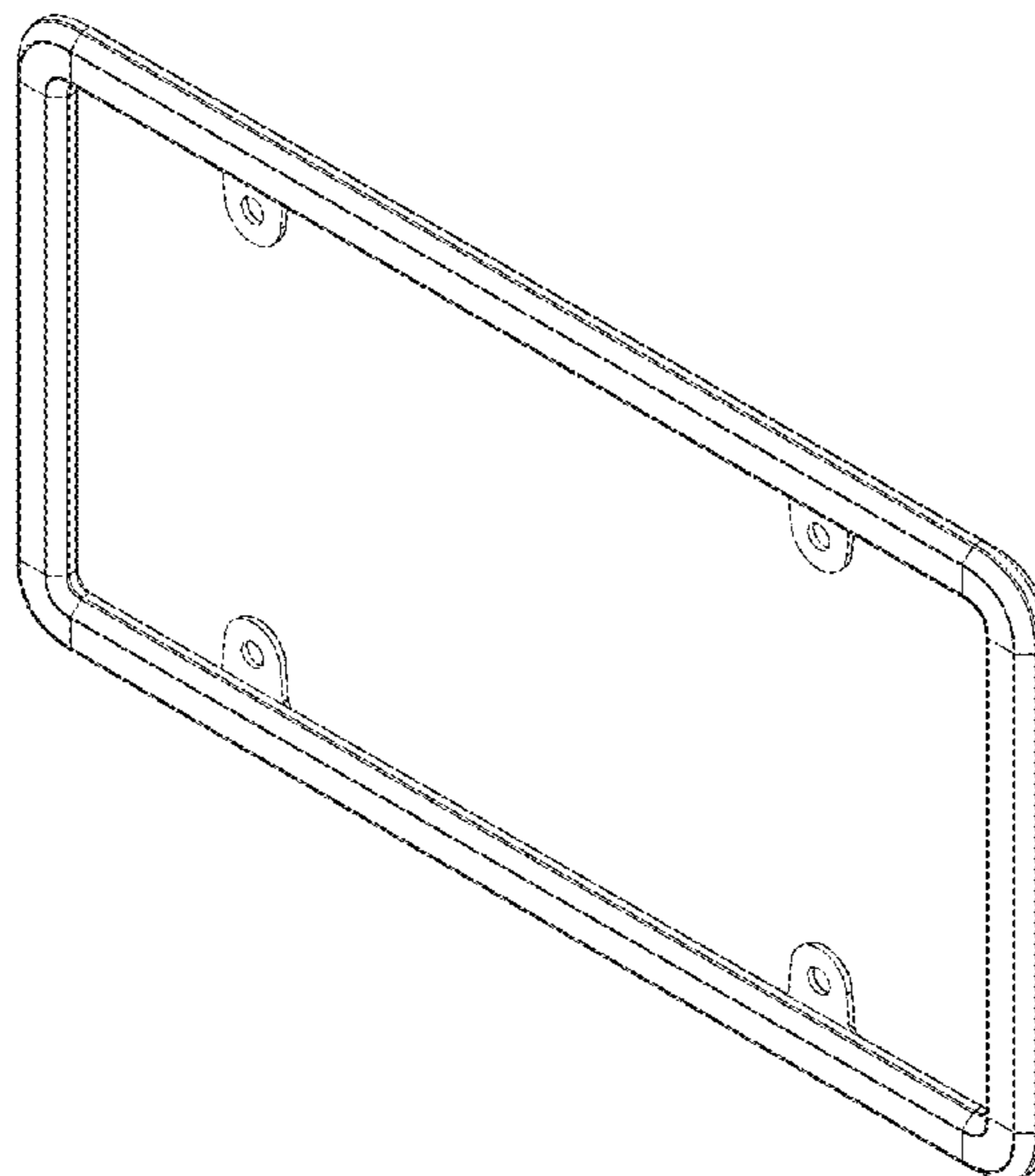
(57) **CLAIM**

The ornamental design for a license plate frame, as shown and described.

DESCRIPTION

FIG. 1 is a front perspective view of a license plate frame showing our new design.
FIG. 2 is a front elevation view of the license plate frame shown in FIG. 1.
FIG. 3 is a back elevation view thereof.
FIG. 4 is a top plan view thereof.
FIG. 5 is a bottom planview thereof.
FIG. 6 is a right-side elevation view thereof; and,
FIG. 7 is a left-side elevation view thereof.

1 Claim, 3 Drawing Sheets



(56)

References Cited

U.S. PATENT DOCUMENTS

D928,677 S * 8/2021 Reshetnyak B60R 13/105
D12/193
D952,535 S * 5/2022 Spencer D12/193

OTHER PUBLICATIONS

Amazon.com, Ohuhu Black License Plate Frames, 4 Hole Matte Aluminum 2 PCS Slim License Plate Frame, published Oct. 28, 2016 [retrieved on Aug. 12, 2022]. Retrieved from the internet <<https://www.amazon.com/ohuhu-license-frames-aluminum-screws/dp/B01MPYE3SB?th=1>> (Year: 2016).*

* cited by examiner

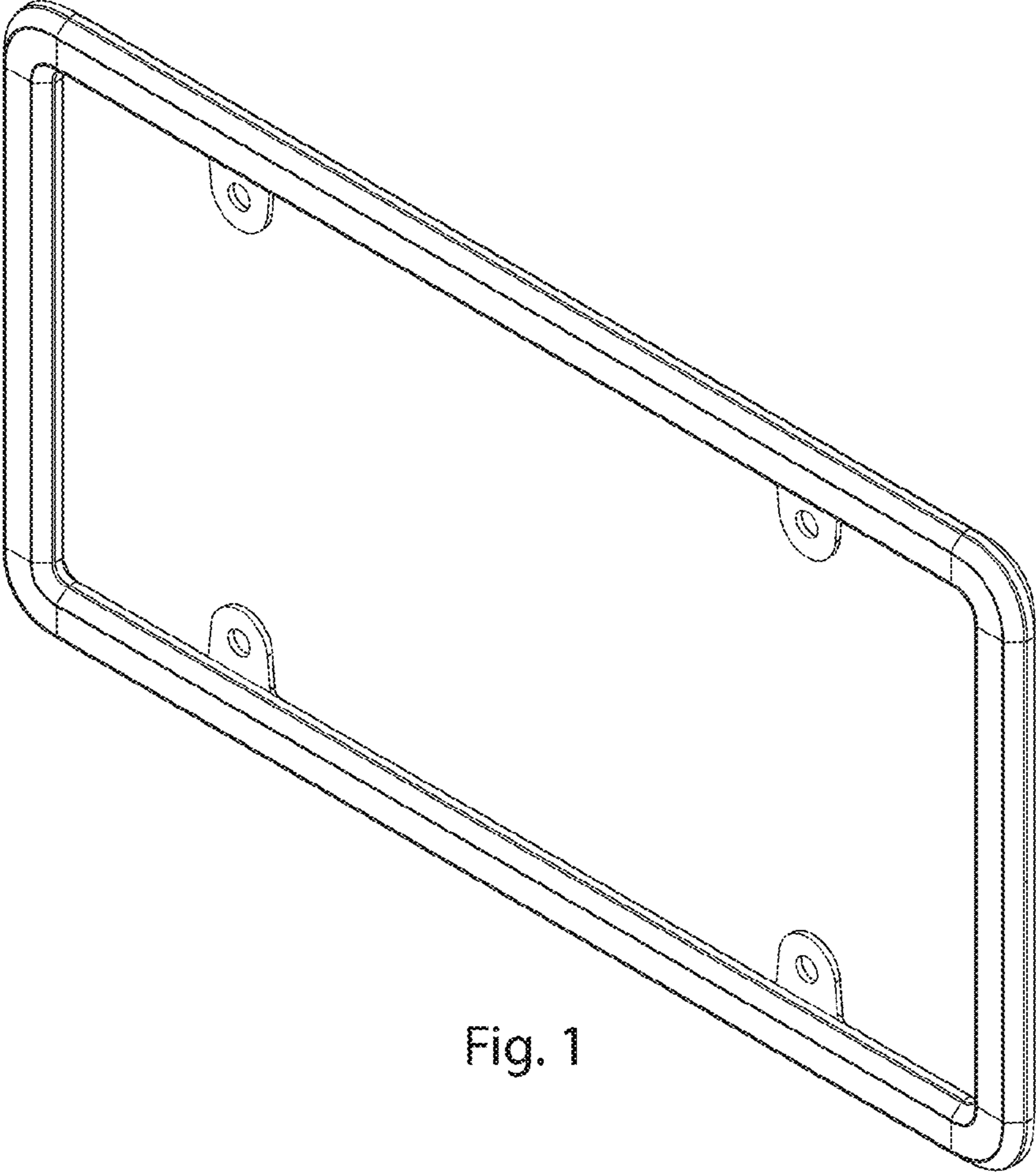


Fig. 1

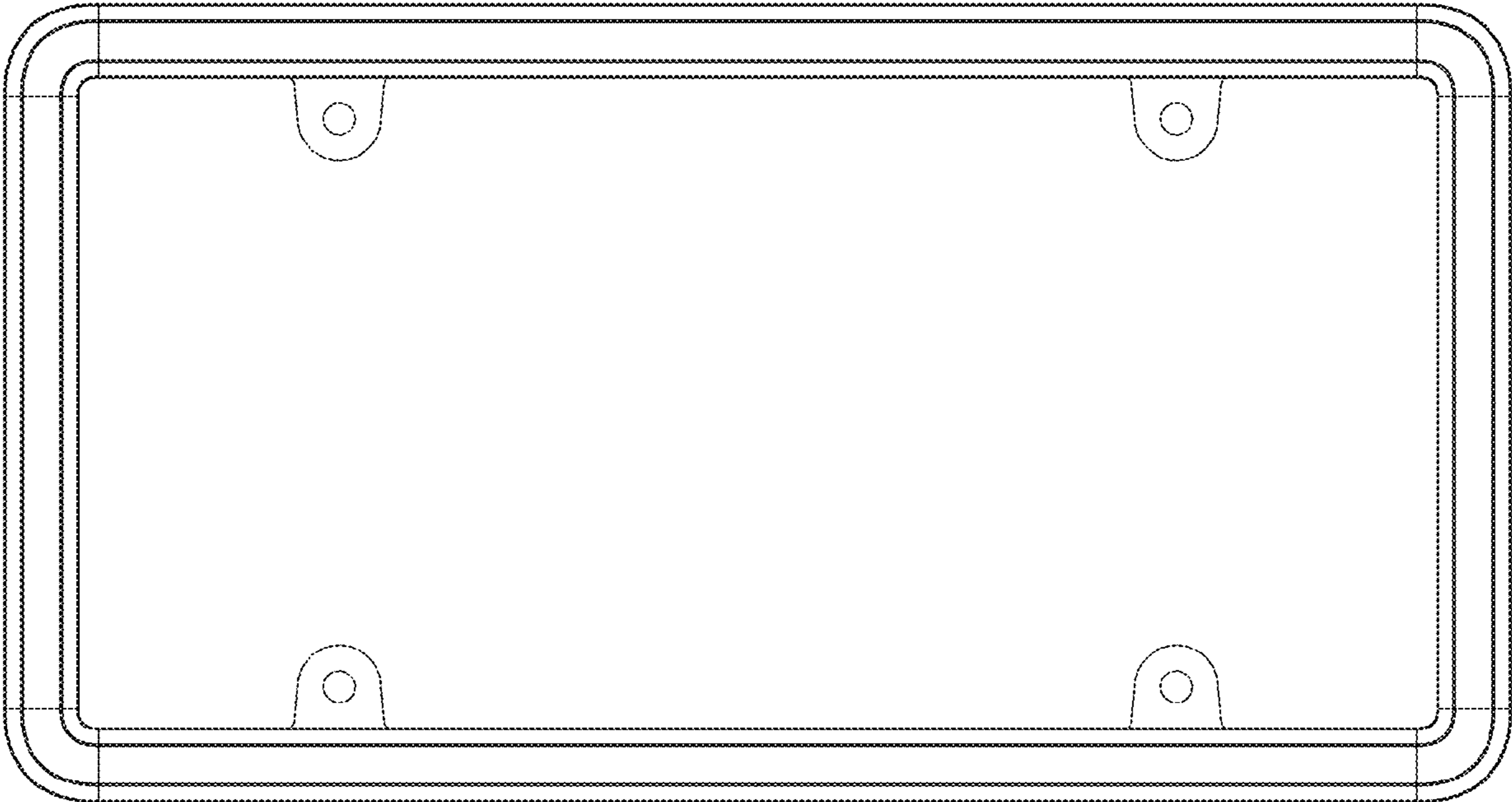


Fig. 2

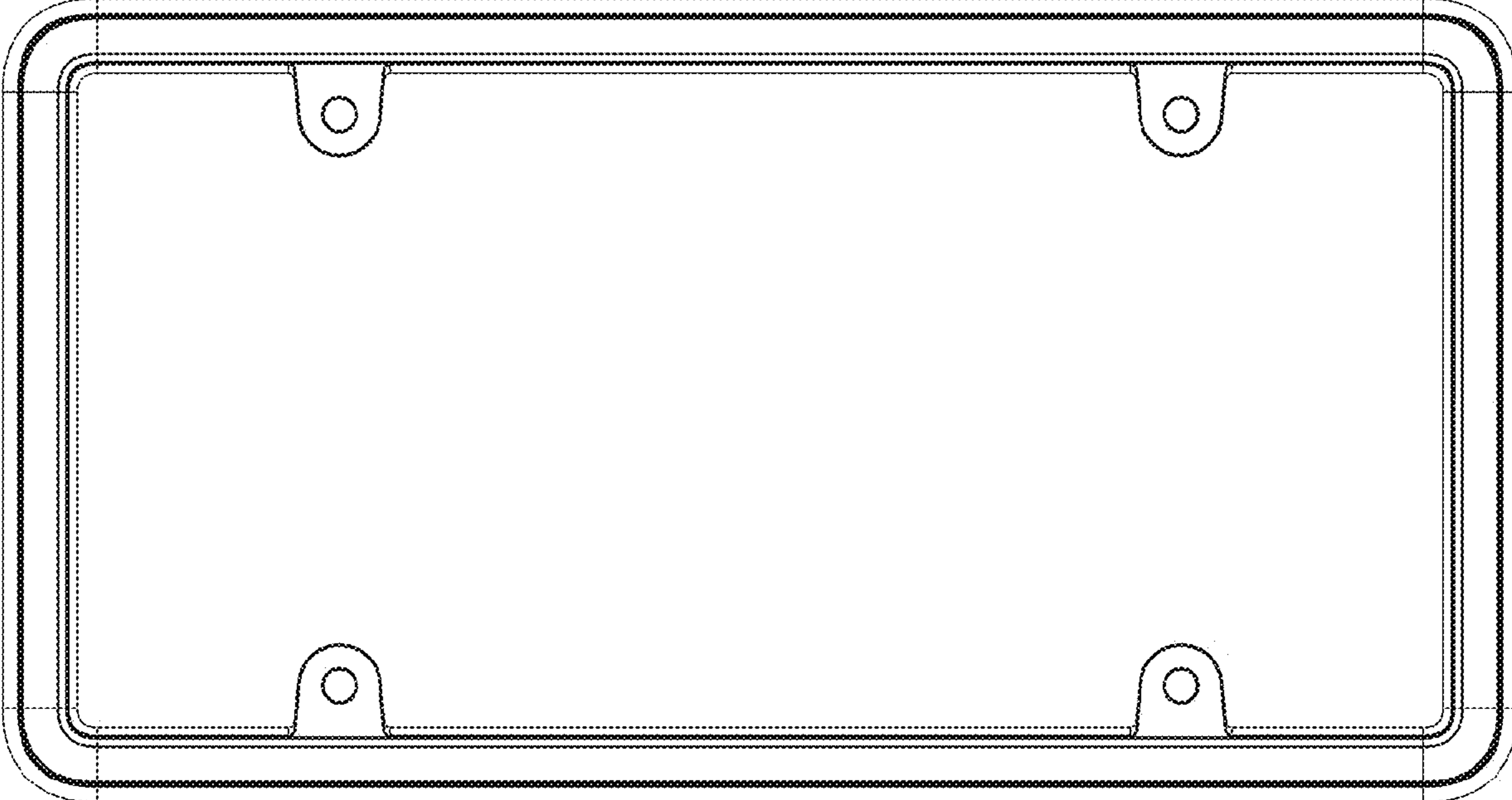


Fig. 3

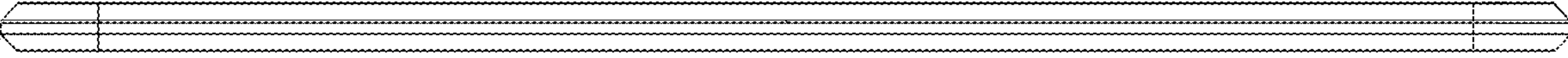


Fig. 4

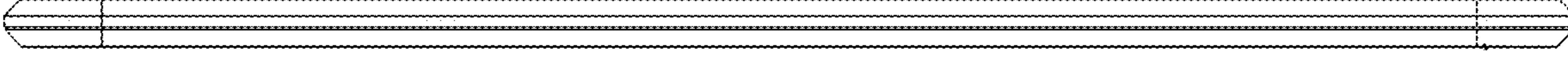


Fig. 5

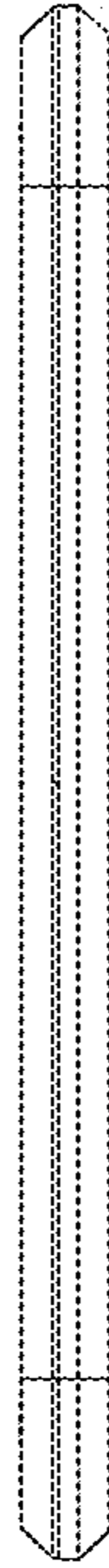


Fig. 6

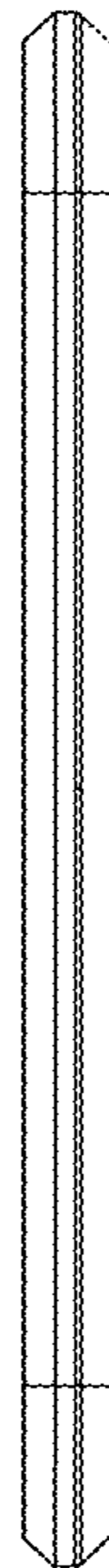


Fig. 7