



US00D974980S

(12) **United States Design Patent**
Oku et al.

(10) **Patent No.:** **US D974,980 S**
(45) **Date of Patent:** **** Jan. 10, 2023**

(54) **CALIPER BODY OF DISC BRAKE FOR VEHICLE**

D861,559 S * 10/2019 Scotti D12/180
D862,327 S * 10/2019 Scotti D12/180
D864,062 S * 10/2019 Preda D12/180
D864,808 S * 10/2019 Crippa D12/180

(71) Applicant: **Hitachi Astemo, Ltd.**, Hitachinaka (JP)

(Continued)

(72) Inventors: **Koichiro Oku**, Tomi (JP); **Yuji Machida**, Tomi (JP); **Genichi Hatakoshi**, Tomi (JP)

FOREIGN PATENT DOCUMENTS

JP D1036183 S 4/1999
JP D1296871 S 3/2007

(73) Assignee: **HITACHI ASTEMO, LTD.**, Hitachinaka (JP)

OTHER PUBLICATIONS

(**) Term: **15 Years**

“Wilwood GP320A Brake Caliper” Wilwood., posted date Apr. 1, 2009 [online], [retrieved on Oct. 7, 2021]. Retrieved from the Internet <URL:https://www.carid.com/wilwood/wilwood-gp320a-brake-caliper-3740228399.html> (Year: 2009).*

(21) Appl. No.: **29/778,860**

(Continued)

(22) Filed: **Apr. 15, 2021**

(30) **Foreign Application Priority Data**

Primary Examiner — Darlington Ly

Oct. 15, 2020 (JP) 2020-022131 D

Assistant Examiner — Nasim Abdulaziz Ali

(51) **LOC (14) Cl.** **12-16**

(74) *Attorney, Agent, or Firm* — WHDA, LLP

(52) **U.S. Cl.**
USPC **D12/180**

(57) **CLAIM**

(58) **Field of Classification Search**
USPC D12/114, 122, 123, 126, 127, 160, 180
CPC F16D 65/128; F16D 65/12; F16D 65/123;
F16D 65/127; F16D 2065/1328; B22C
9/00; C23C 4/067

The ornamental design for a caliper body of disc brake for vehicle, as shown and described.

See application file for complete search history.

DESCRIPTION

(56) **References Cited**

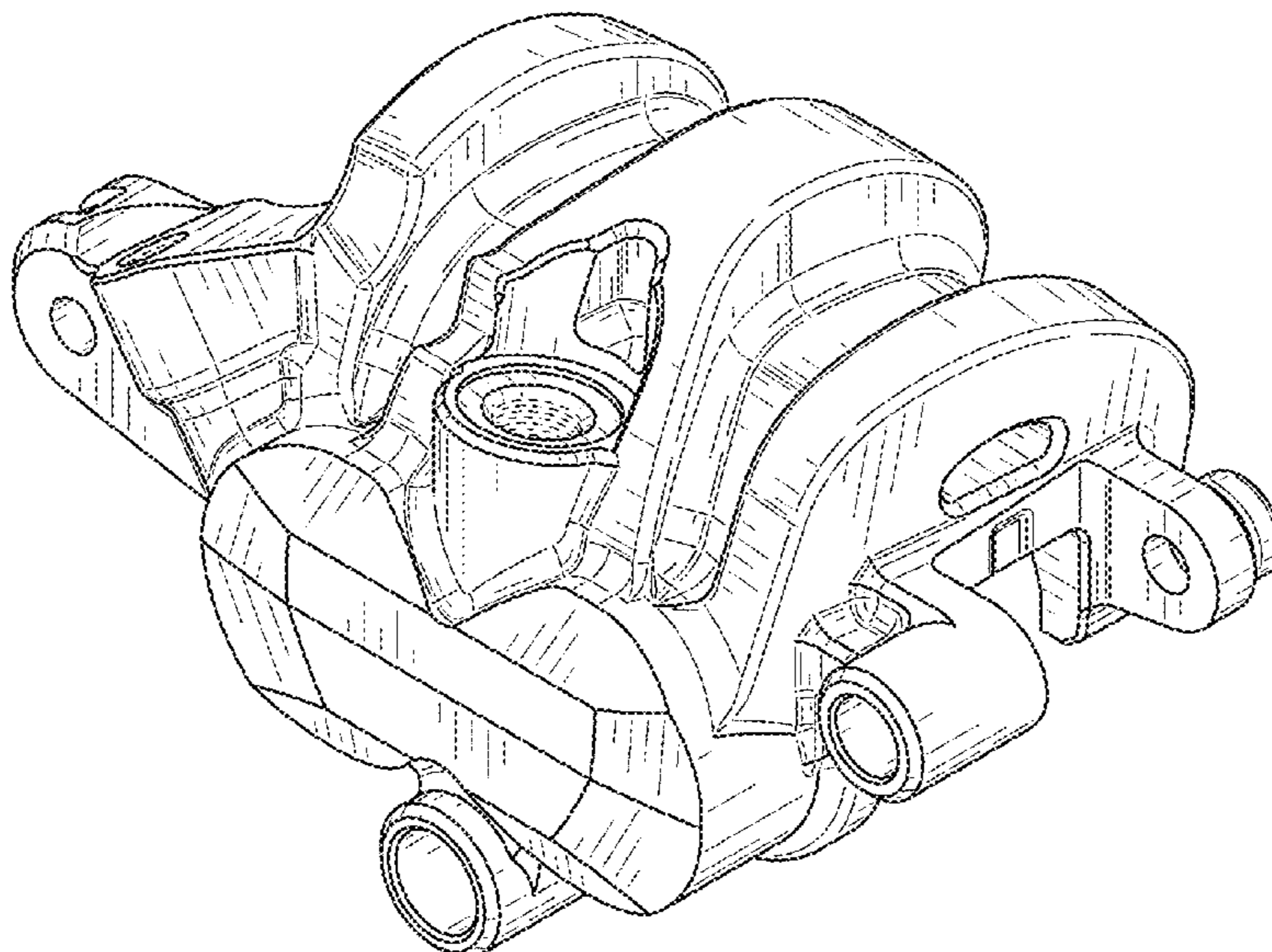
FIG. 1 is a front elevation view of a caliper body of disc brake for vehicle, showing our new design;
FIG. 2 is a rear elevation view thereof;
FIG. 3 is a top plan view thereof;
FIG. 4 is a bottom plan view thereof;
FIG. 5 is a right side elevation view thereof;
FIG. 6 is a left side elevation view thereof;
FIG. 7 is a cross-sectional view thereof, taken along line 7-7 of FIG. 1; and,
FIG. 8 is a front right side perspective view thereof.

U.S. PATENT DOCUMENTS

D603,767 S * 11/2009 Crippa D12/180
D630,141 S * 1/2011 Chen D12/180
D739,319 S * 9/2015 Montgomery D12/180
D804,375 S * 12/2017 Crippa D12/180
D816,002 S * 4/2018 Crippa D12/180
D840,301 S * 2/2019 Bonetti D12/180
D842,782 S * 3/2019 Verdelli D12/180
D851,566 S * 6/2019 Nessi D12/180

The broken lines shown in the drawings illustrate portions of the caliper body of disc brake for vehicle that form no part of the claimed design.

1 Claim, 4 Drawing Sheets



(56)

References Cited

U.S. PATENT DOCUMENTS

D864,809 S * 10/2019 Puddu D12/180
D865,594 S * 11/2019 Honzawa D12/180
D868,654 S * 12/2019 Thorpe D12/180
D868,655 S * 12/2019 Thorpe D12/180
D877,673 S * 3/2020 Oku D12/180
D892,007 S * 8/2020 Scotti D12/180
D902,097 S * 11/2020 Ock D12/180
10,844,917 B2 * 11/2020 Igawa F16D 55/228
D918,107 S * 5/2021 Zhang D12/180
D931,171 S * 9/2021 Nessi D12/180
2016/0053835 A1 * 2/2016 Castellana F16D 55/228
188/72.4
2020/0080601 A1 * 3/2020 Liao F16D 65/0978
2021/0317887 A1 * 10/2021 Zhang F16D 65/0081

OTHER PUBLICATIONS

“EBC®—Apollo Series Brake Calipers” EBC., posted date Oct. 7, 2014 [online], [retrieved on Oct. 7, 2021]. Retrieved from the Internet <URL:https://ebcbrakes.com/products/ebc-apollo-series-high-performance-brake-calipers/> (Year: 2014).*

“Caliper Covers for Tesla Model Y” Tesla., posted date Apr. 28, 2021 [online], [retrieved on Oct. 7, 2021]. Retrieved from the Internet <URL:https://www.amazon.com/Caliper-Covers-Red-Aluminum-Brake/dp/B093PYR4VQ> (Year: 2021).*

Office Action dated Jun. 18, 2021, issued in counterpart JP design application No. 2020-022131, with English translation. (5 pages).

* cited by examiner

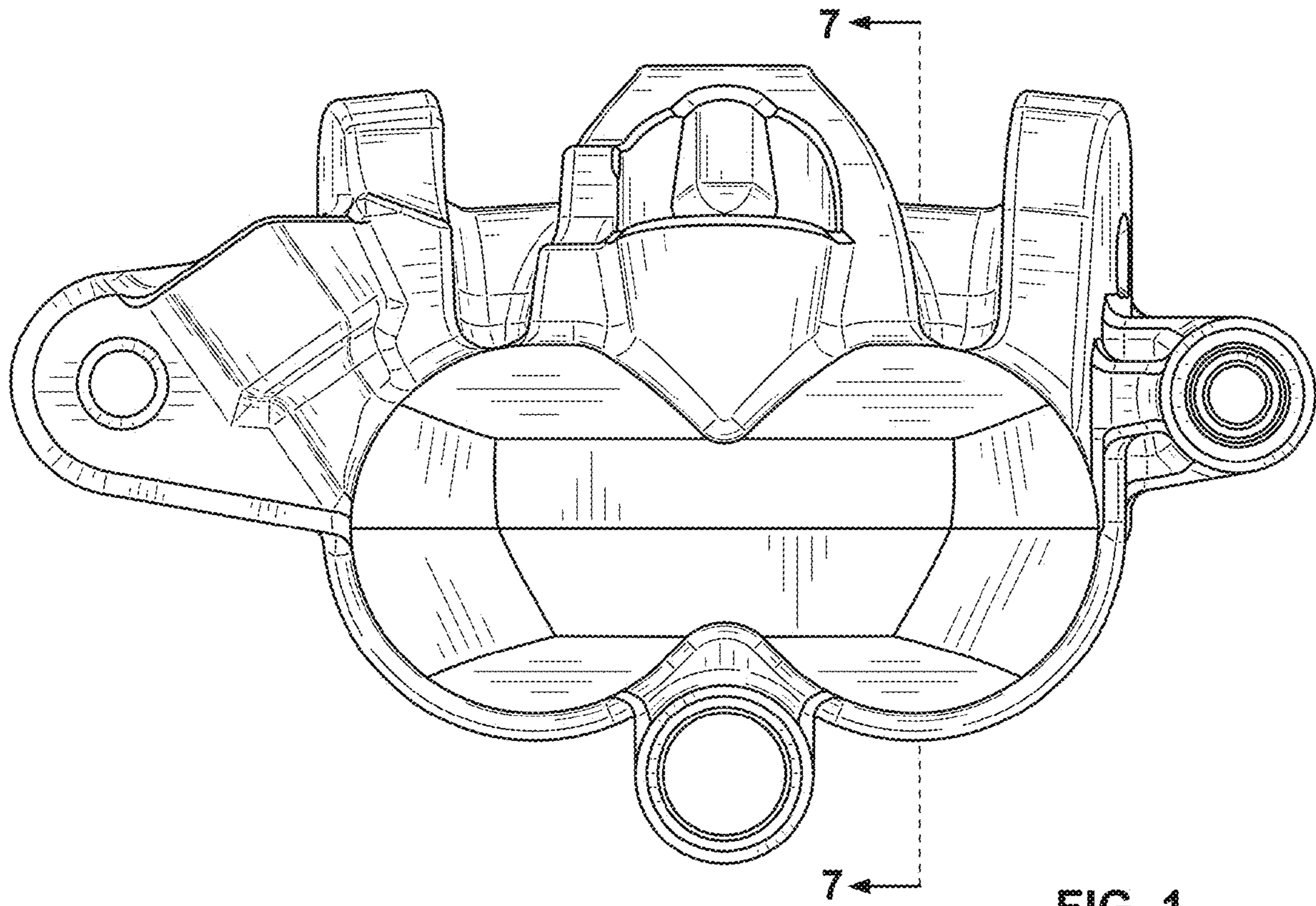


FIG. 1

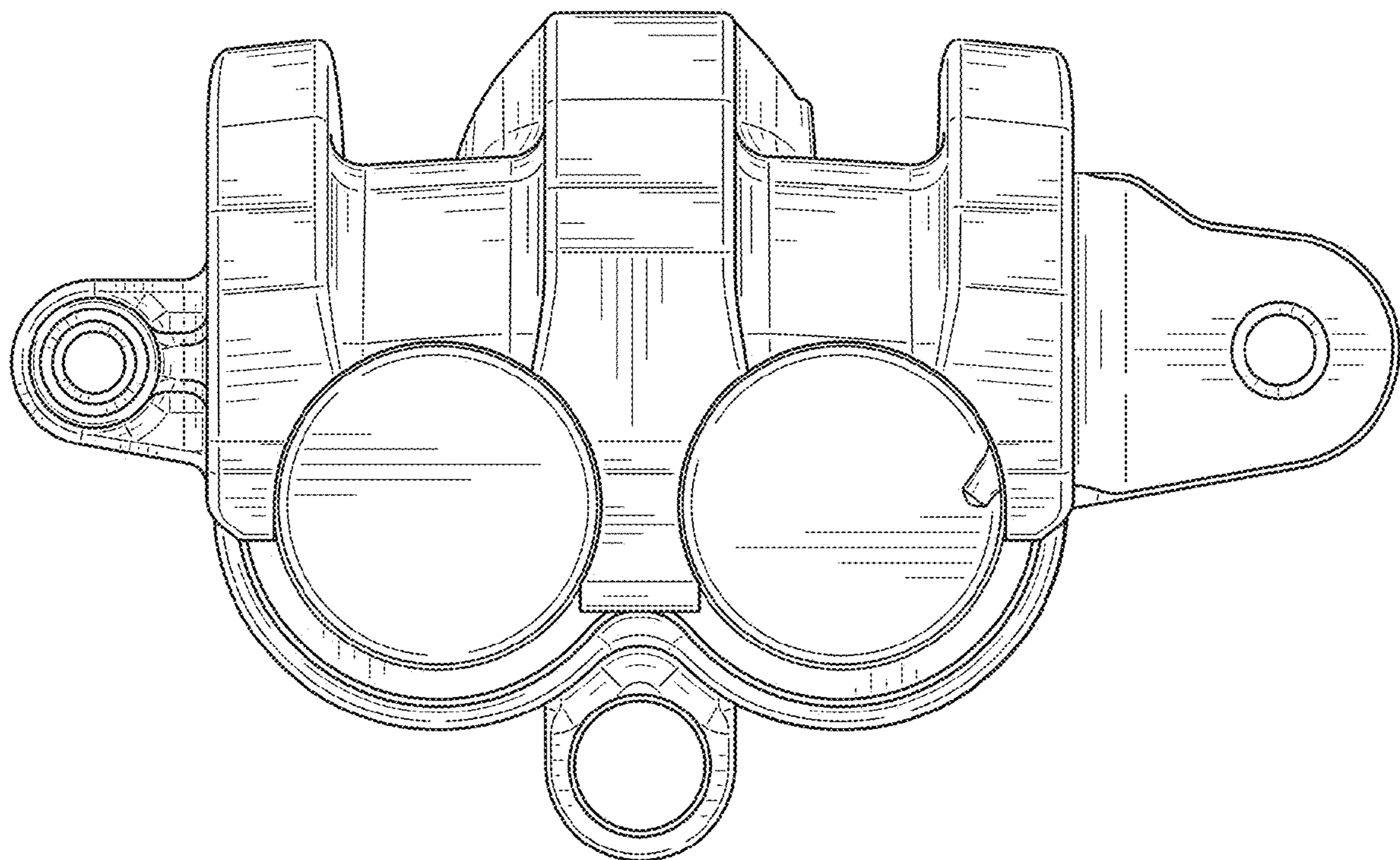


FIG. 2

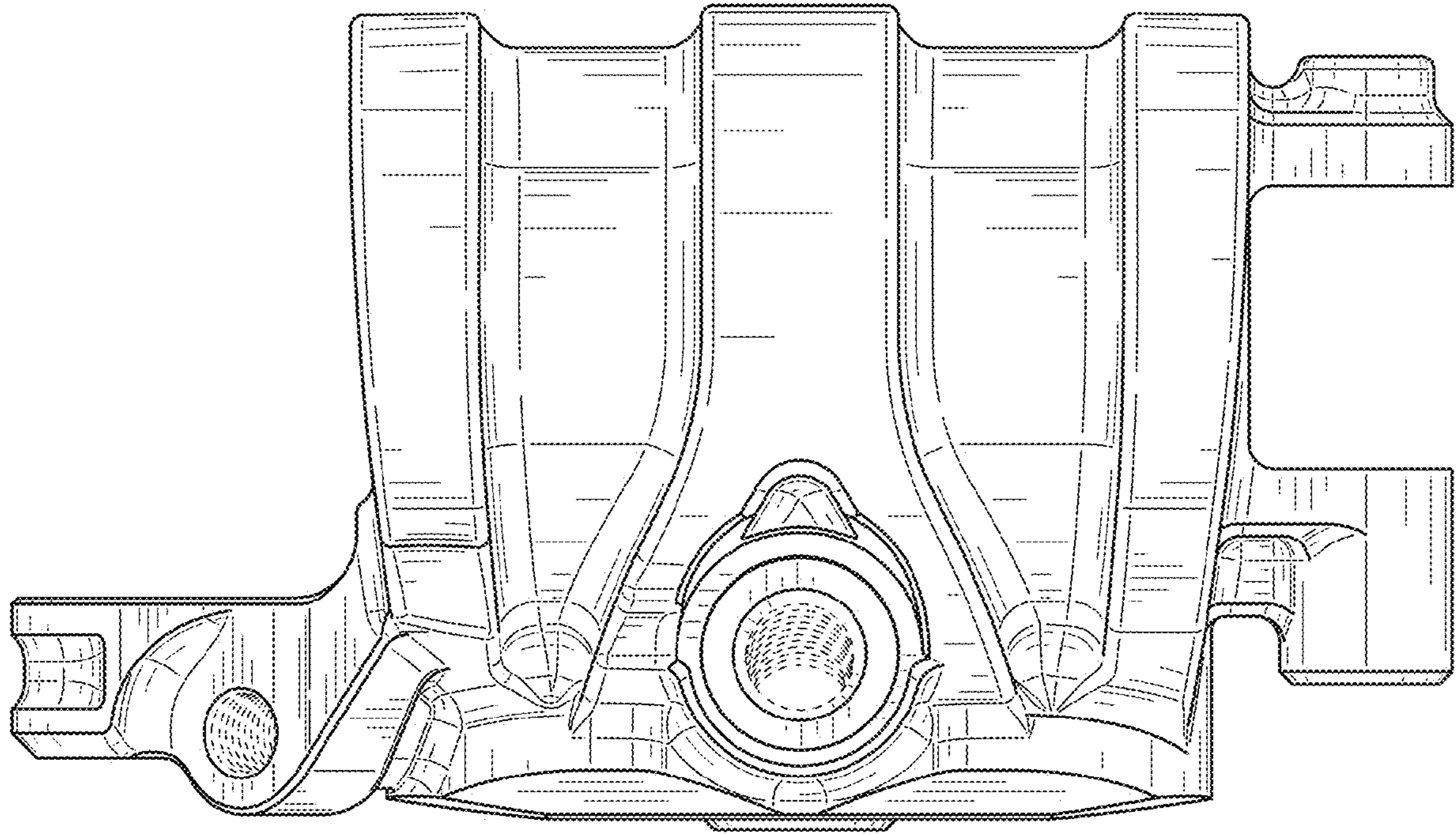


FIG. 3

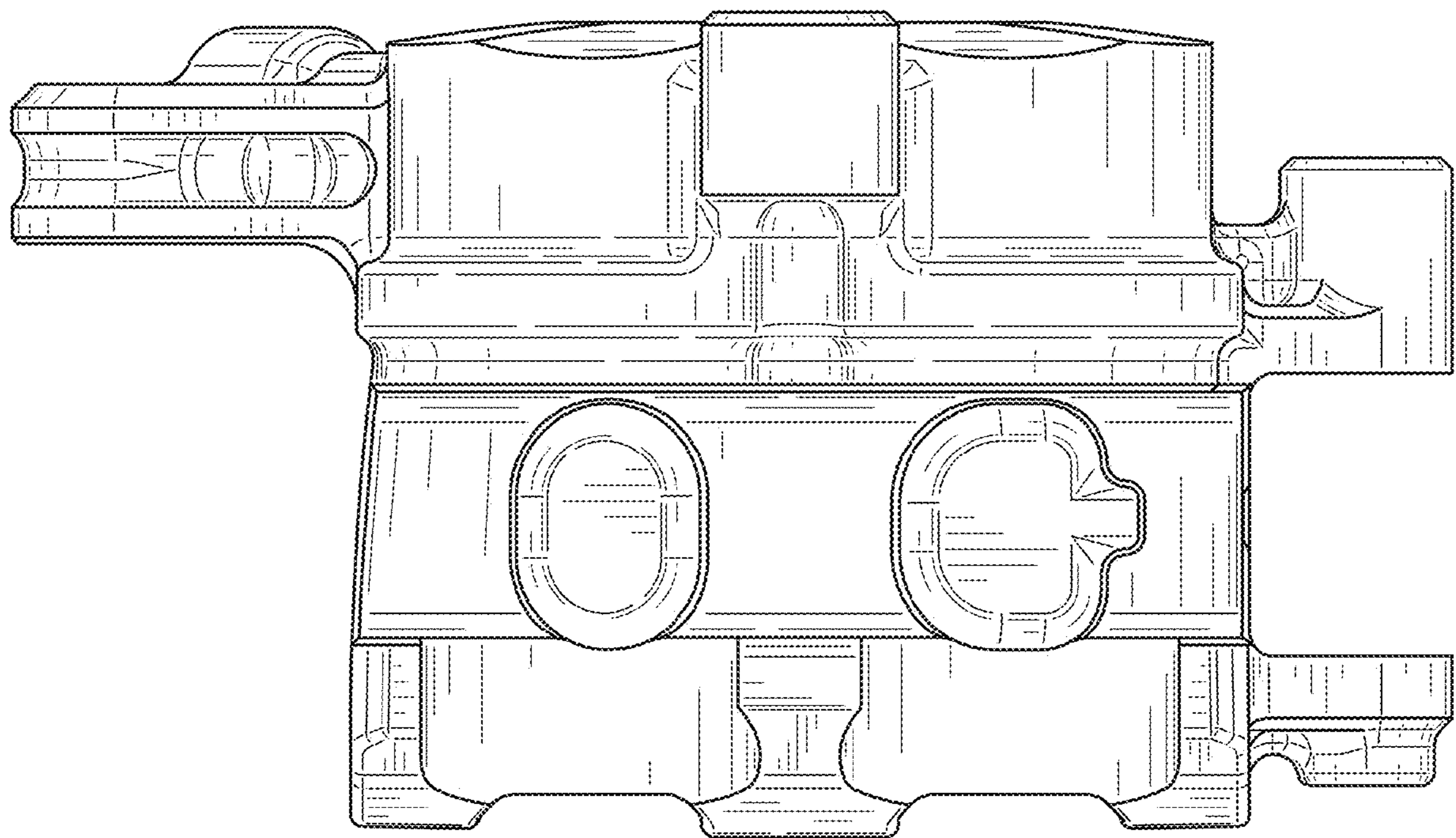


FIG. 4

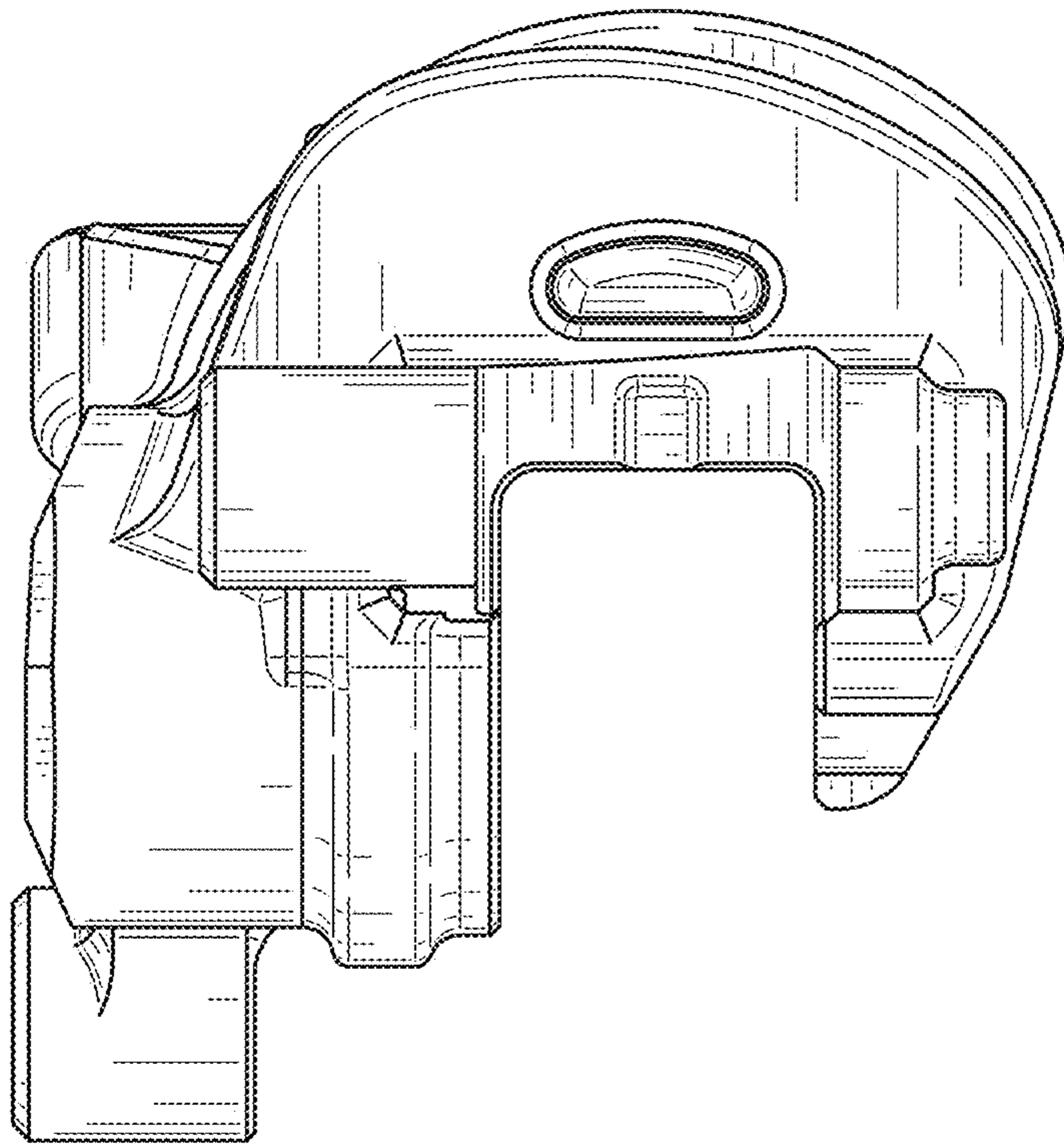


FIG. 5

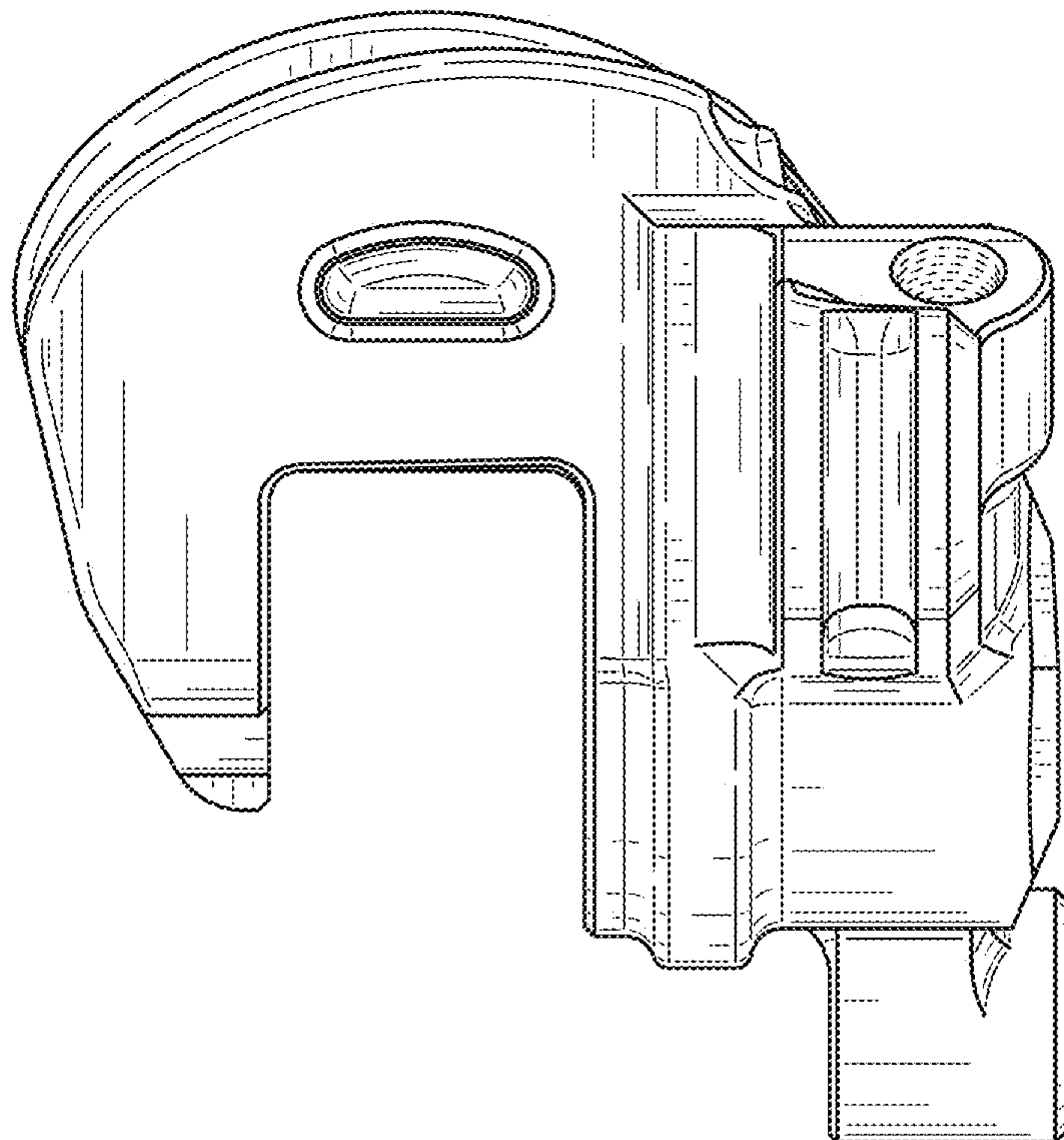


FIG. 6

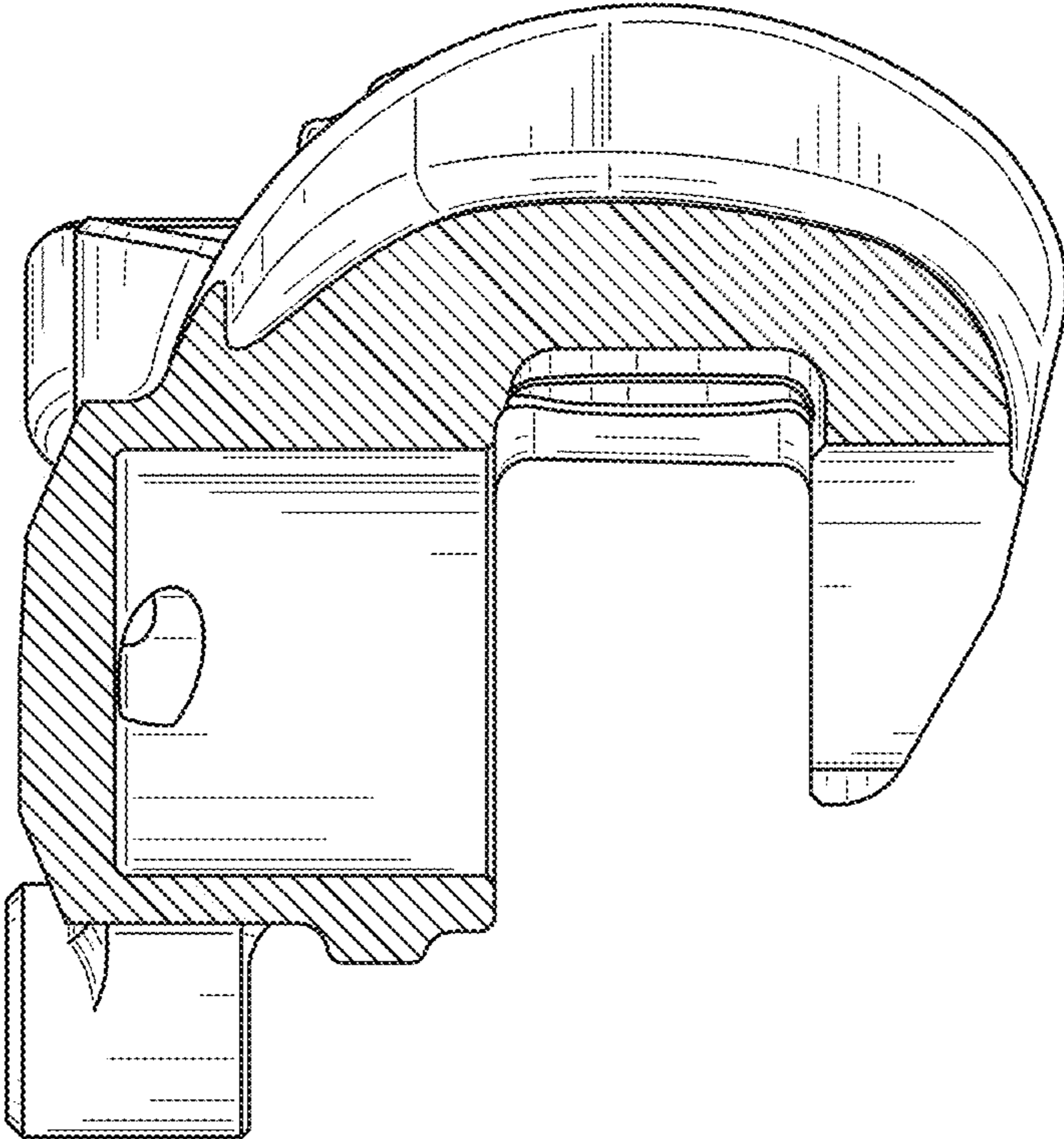


FIG. 7

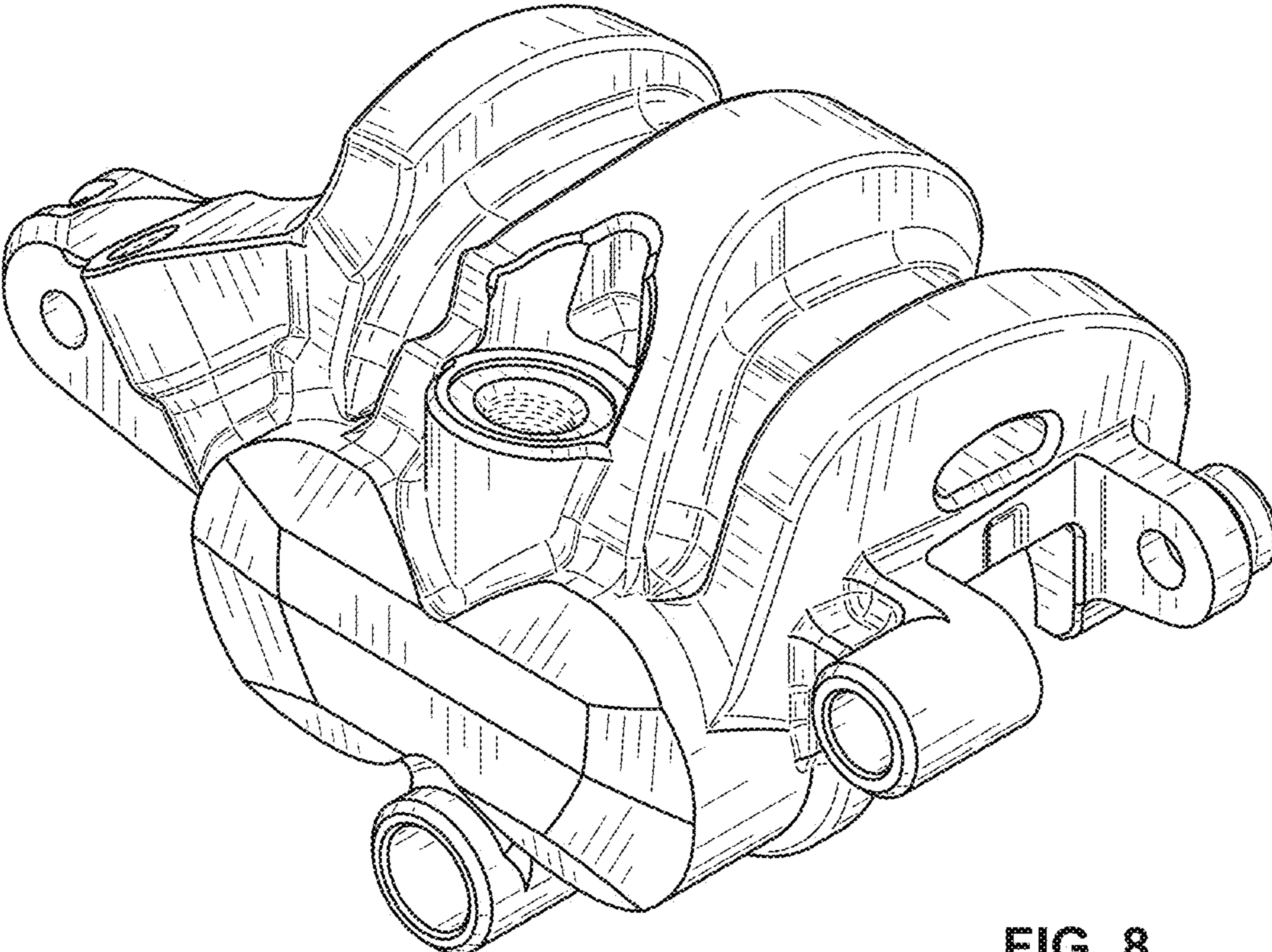


FIG. 8