



US00D974978S

(12) **United States Design Patent**  
**Buffery et al.**

(10) **Patent No.: US D974,978 S**

(45) **Date of Patent: \*\* Jan. 10, 2023**

- (54) **VEHICLE STEERING WHEEL**
- (71) Applicant: **JAGUAR LAND ROVER LIMITED**,  
Coventry (GB)
- (72) Inventors: **Martin Buffery**, Coventry (GB);  
**Jonathan Hodder**, Coventry (GB)
- (73) Assignee: **JAGUAR LAND ROVER LIMITED**,  
Coventry (GB)

D707,162 S *	6/2014	Finney .....	D12/175
D758,932 S *	6/2016	Schowalter .....	D12/176
D758,933 S *	6/2016	Owaku .....	D12/176
D760,134 S *	6/2016	Montousse .....	D12/176
D773,968 S *	12/2016	Blachere .....	D12/176
D797,621 S *	9/2017	Ogawa .....	D12/176
D801,894 S *	11/2017	Kasano .....	D12/176
D820,177 S *	6/2018	Buttery .....	D12/176
D827,522 S *	9/2018	Villamizar .....	D12/176
D853,912 S *	7/2019	Grewer .....	D12/176
D881,765 S *	4/2020	Finney .....	D12/176
D925,417 S *	7/2021	Hamada .....	D12/176

(\*\*) Term: **15 Years**

\* cited by examiner

(21) Appl. No.: **29/763,295**

*Primary Examiner* — Melody N Brown

(22) Filed: **Dec. 22, 2020**

(74) *Attorney, Agent, or Firm* — Reising Ethington P.C.

(30) **Foreign Application Priority Data**

Jun. 29, 2020 (EM) ..... 008026330-0009

(51) **LOC (14) Cl.** ..... **12-16**

(52) **U.S. Cl.**  
USPC ..... **D12/176**

(58) **Field of Classification Search**  
USPC ..... D12/175, 176, 177; 74/552, 558, 558.5  
CPC ..... B60R 21/203; B60R 21/05; B62D 1/04  
See application file for complete search history.

(57) **CLAIM**

The ornamental design for a vehicle steering wheel, as shown and described.

(56) **References Cited**

U.S. PATENT DOCUMENTS

D521,913 S *	5/2006	Nakamura .....	D12/176
D633,835 S *	3/2011	Frank .....	D12/176
D653,179 S *	1/2012	Frank .....	D12/176
D653,594 S *	2/2012	Frank .....	D12/176
D659,613 S *	5/2012	Tanaka .....	D12/176

**DESCRIPTION**

FIG. 1 is a bottom, front and left side perspective view of a vehicle steering wheel showing our new design;  
 FIG. 2 is a top, front and left side perspective view thereof;  
 FIG. 3 is a front elevational view thereof;  
 FIG. 4 is a right side elevational view thereof;  
 FIG. 5 is a left side elevational view thereof;  
 FIG. 6 is a top plan view thereof;  
 FIG. 7 is a bottom plan view thereof;  
 FIG. 8 is a rear and right side perspective view thereof;  
 FIG. 9 is a top, rear and right side perspective view thereof;  
 and,  
 FIG. 10 is a rear elevational view thereof.

**1 Claim, 10 Drawing Sheets**





FIG. 1

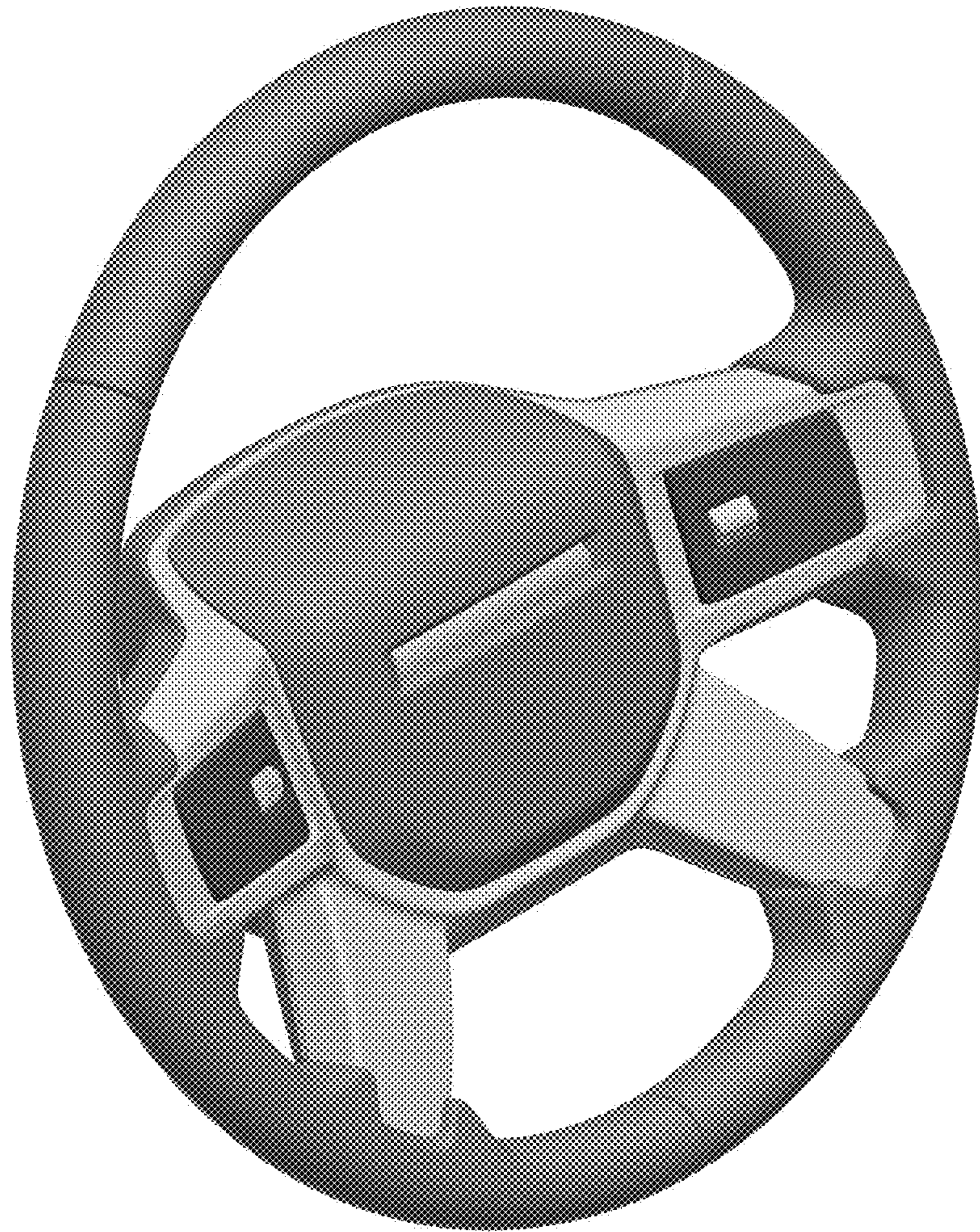


FIG. 2



FIG. 3

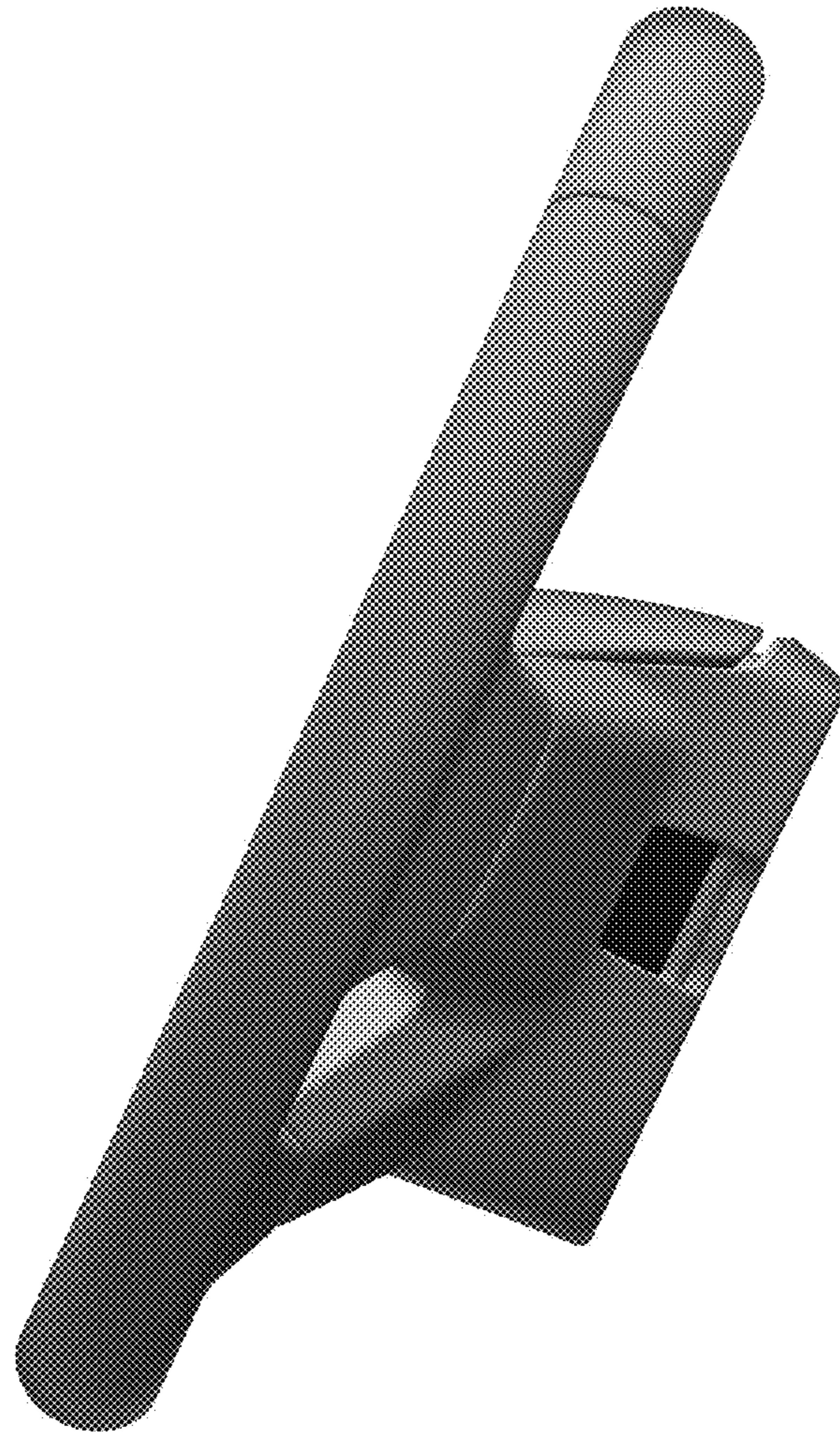


FIG. 4

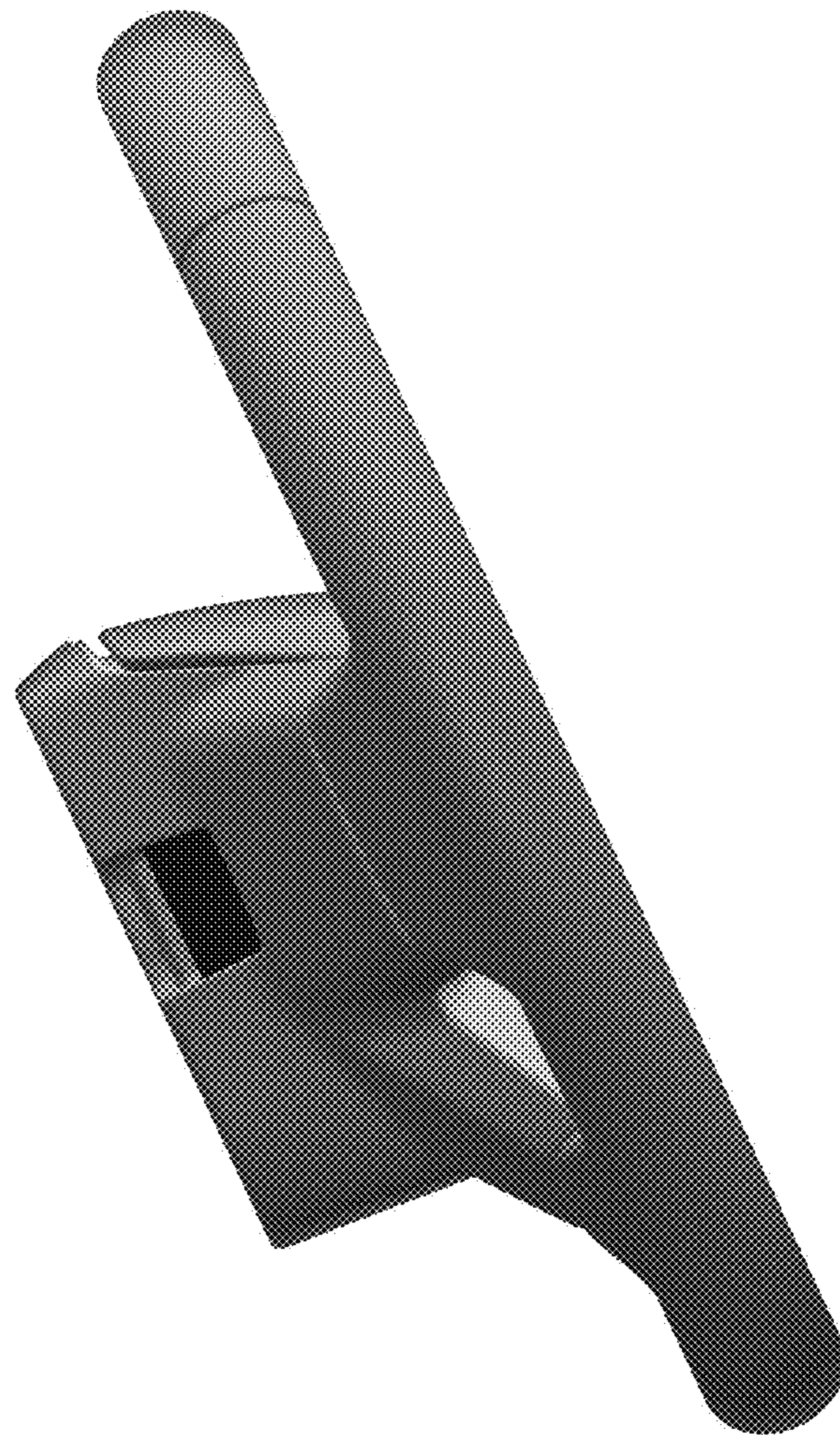


FIG. 5

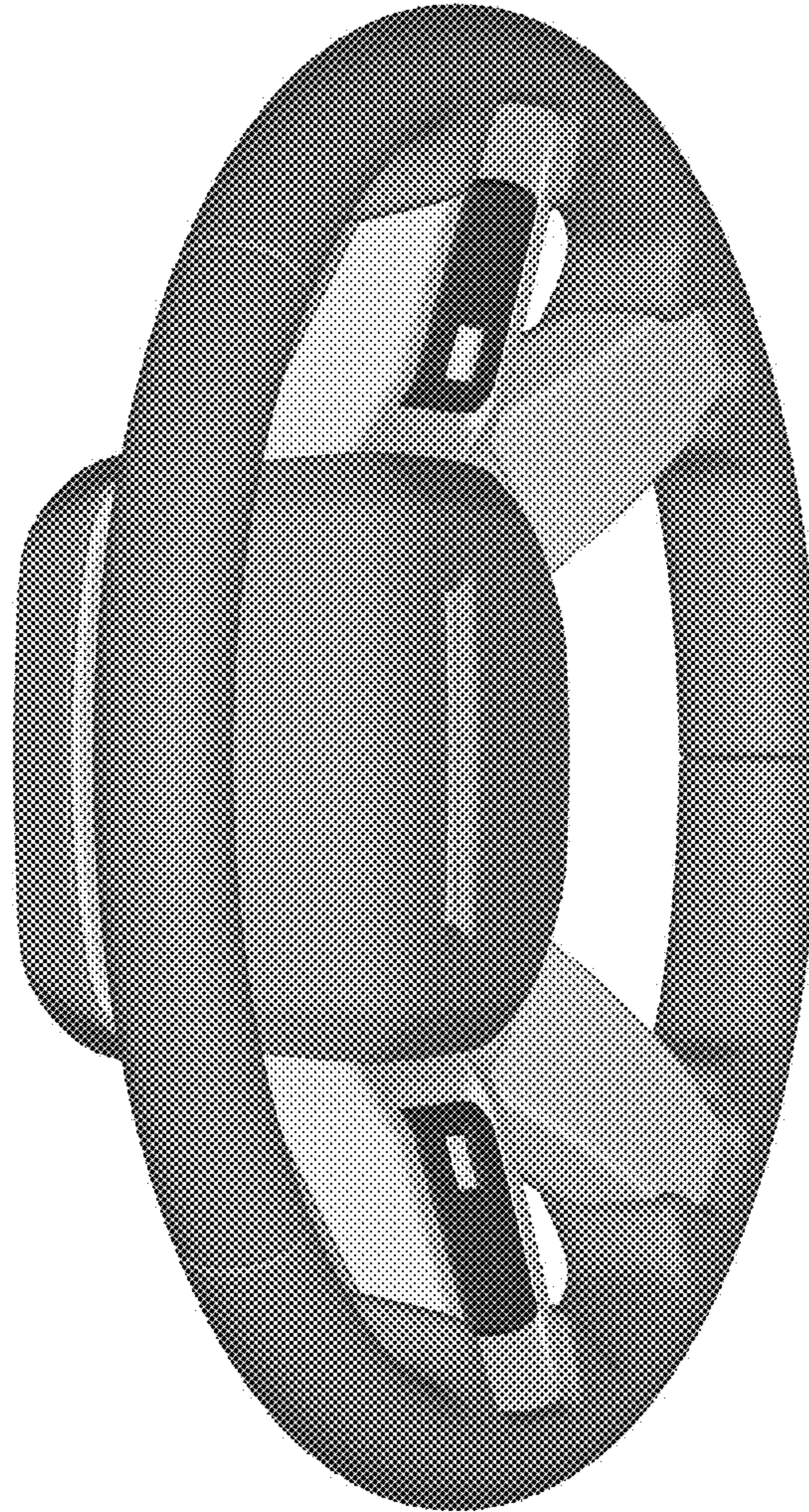


FIG. 6

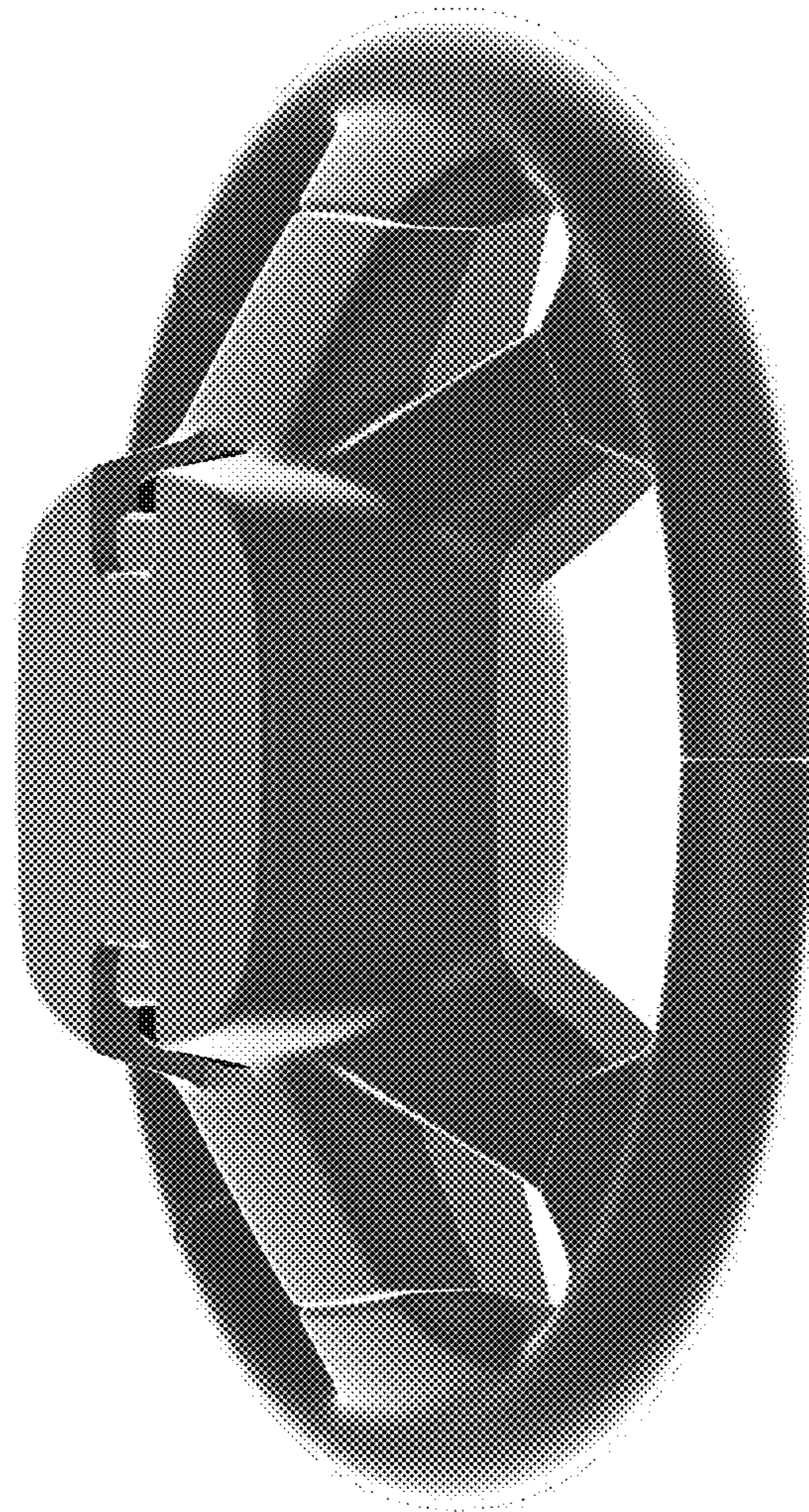


FIG. 7





FIG. 8



FIG. 9



FIG. 10