



US00D974975S

(12) **United States Design Patent**
Kang et al.

(10) **Patent No.:** **US D974,975 S**
(45) **Date of Patent:** **** Jan. 10, 2023**

(54) **FRONT BUMPER COVER FOR AUTOMOBILE**
(71) Applicants: **HYUNDAI MOTOR COMPANY**,
Seoul (KR); **Kia Corporation**, Seoul
(KR)
(72) Inventors: **Byung Hak Kang**, Hwaseong-si (KR);
Hwan Wook Baek,
Chungcheongbuk-do (KR)

D874,991 S * 2/2020 Park D12/169
D890,648 S * 7/2020 Arias B60R 19/12
D12/169
D893,367 S * 8/2020 Kim D12/169
D920,189 S * 5/2021 Choi D12/169
D922,272 S * 6/2021 Wraith D12/169
D930,523 S * 9/2021 Lee D12/169
D932,390 S * 10/2021 Sachs B60R 19/52
D12/169
D955,943 S * 6/2022 Oh B60R 19/12
D12/169

(**) Term: **15 Years**

* cited by examiner

(21) Appl. No.: **35/513,594**

Primary Examiner — Melody N Brown

(22) Filed: **Jan. 3, 2022**

(80) **Hague Agreement Data**

Int. Filing Date: **Jan. 3, 2022**
Int. Reg. No.: **DM/218687**
Int. Reg. Date: **Jan. 3, 2022**
Int. Reg. Pub. Date: **Feb. 11, 2022**

(57) **CLAIM**

The ornamental design for a front bumper cover for automobile, as shown and described.

(30) **Foreign Application Priority Data**

Nov. 16, 2021 (KR) 3020210054550

(51) **LOC (14) Cl.** **12-16**

(52) **U.S. Cl.**
USPC **D12/169**

(58) **Field of Classification Search**
USPC D12/169, 196, 86, 90-92, 163, 190, 98,
D12/164; 293/102, 113, 115, 117, 120,
293/193.11; 296/180.1, 180.2
CPC B60R 19/02; B60R 19/04; B62D 25/08
See application file for complete search history.

DESCRIPTION

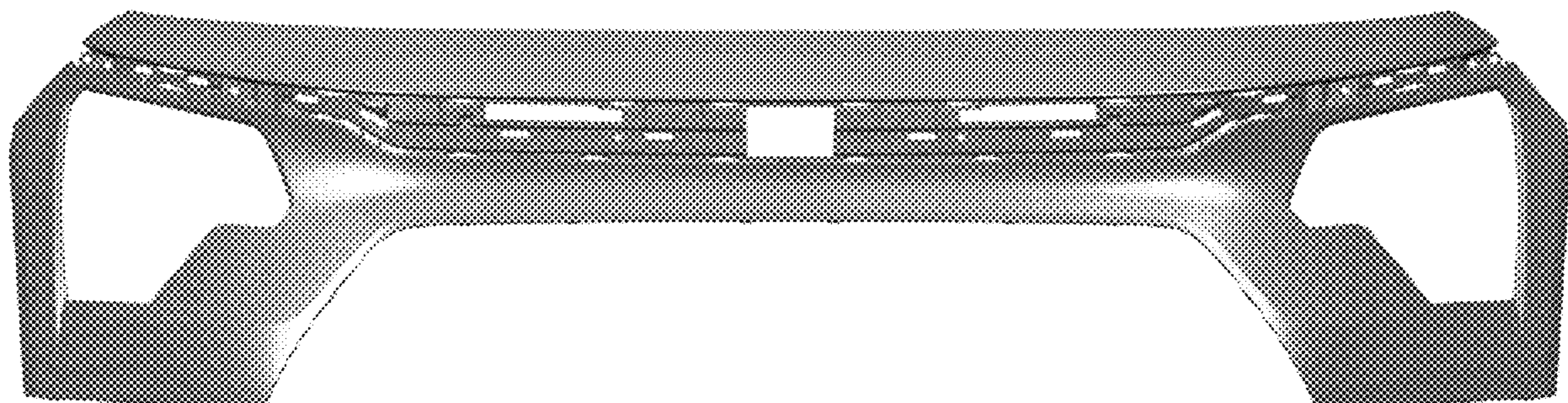
1. Front bumper cover for automobile
1.1 is a top, front and left side perspective view of a front bumper cover for automobile showing our new design;
1.2 is a front elevation view thereof;
1.3 is a rear elevation view thereof;
1.4 is a left side elevation view thereof;
1.5 is a right side elevation view thereof;
1.6 is a top plan view thereof;
1.7 is a bottom plan view thereof.
Reproduction **1.1** is a perspective view of a front bumper cover for automobile showing our new design; reproduction **1.2** is a front elevation view thereof; reproduction **1.3** is a rear elevation view thereof; reproduction **1.4** is a left side elevation view thereof; reproduction **1.5** is a right side elevation view thereof; reproduction **1.6** is a top plan view thereof; reproduction **1.7** is a bottom plan view thereof.

(56) **References Cited**

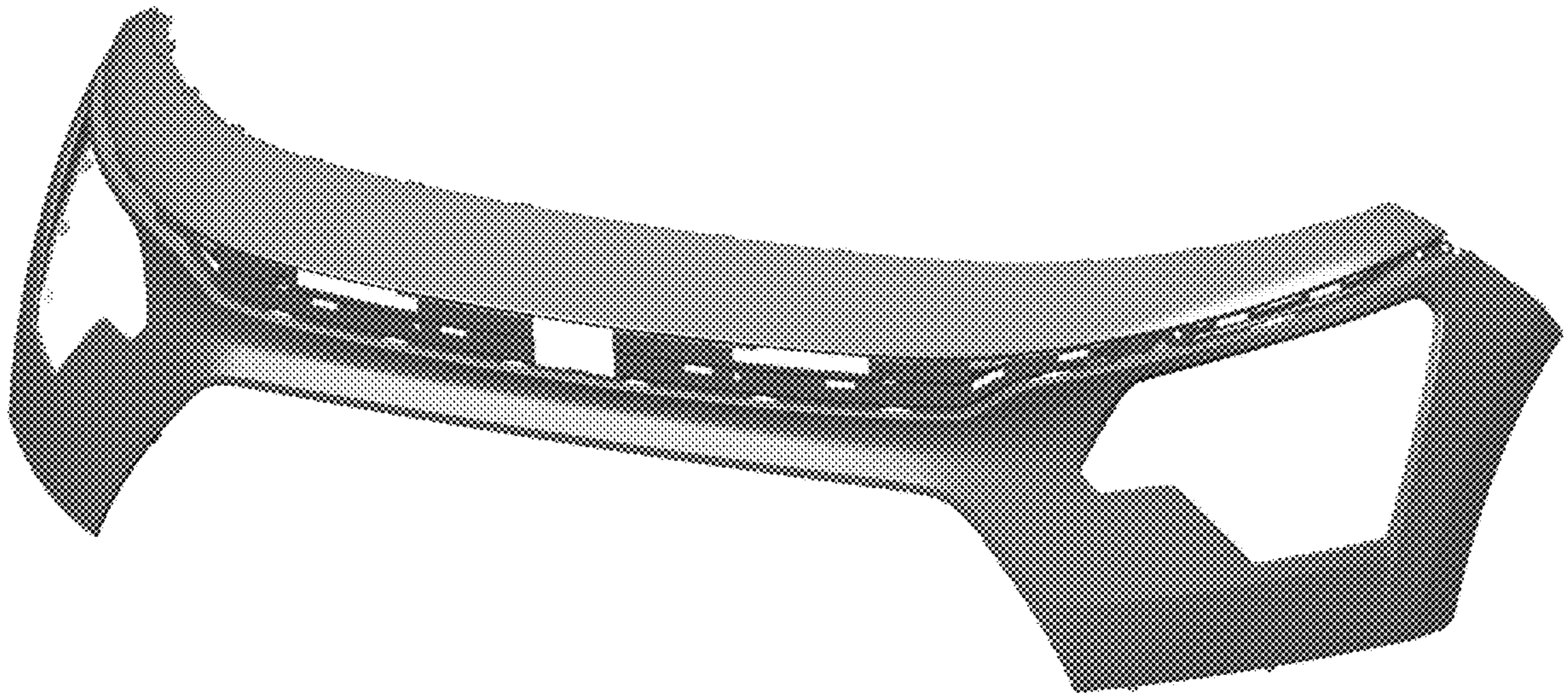
U.S. PATENT DOCUMENTS

D840,299 S * 2/2019 Dewitt B60R 19/12
D12/169
D850,994 S * 6/2019 Dewitt B60R 19/52
D12/169

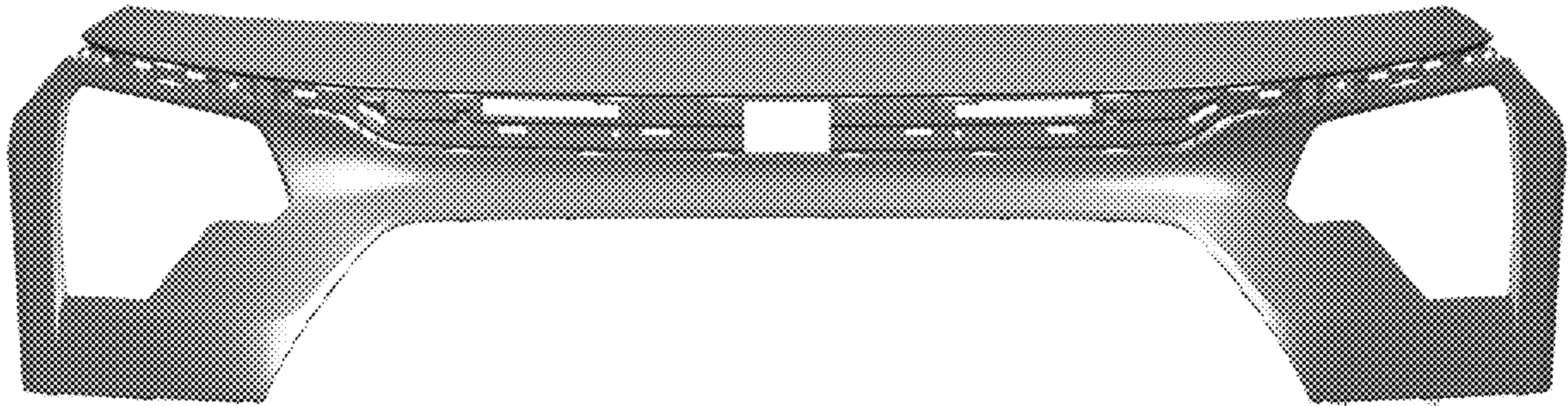
1 Claim, 7 Drawing Sheets



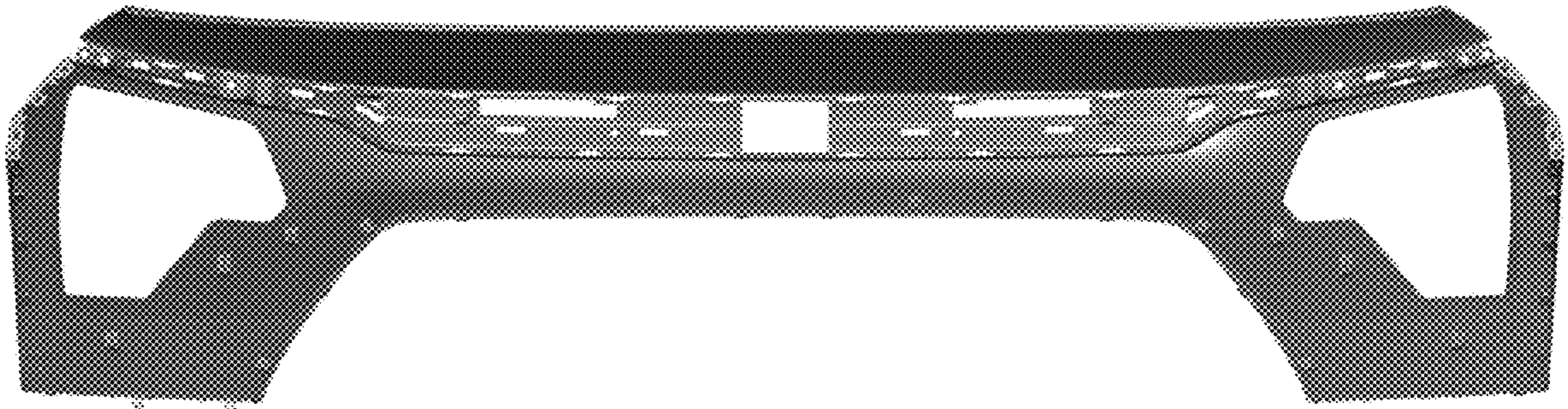
1.1



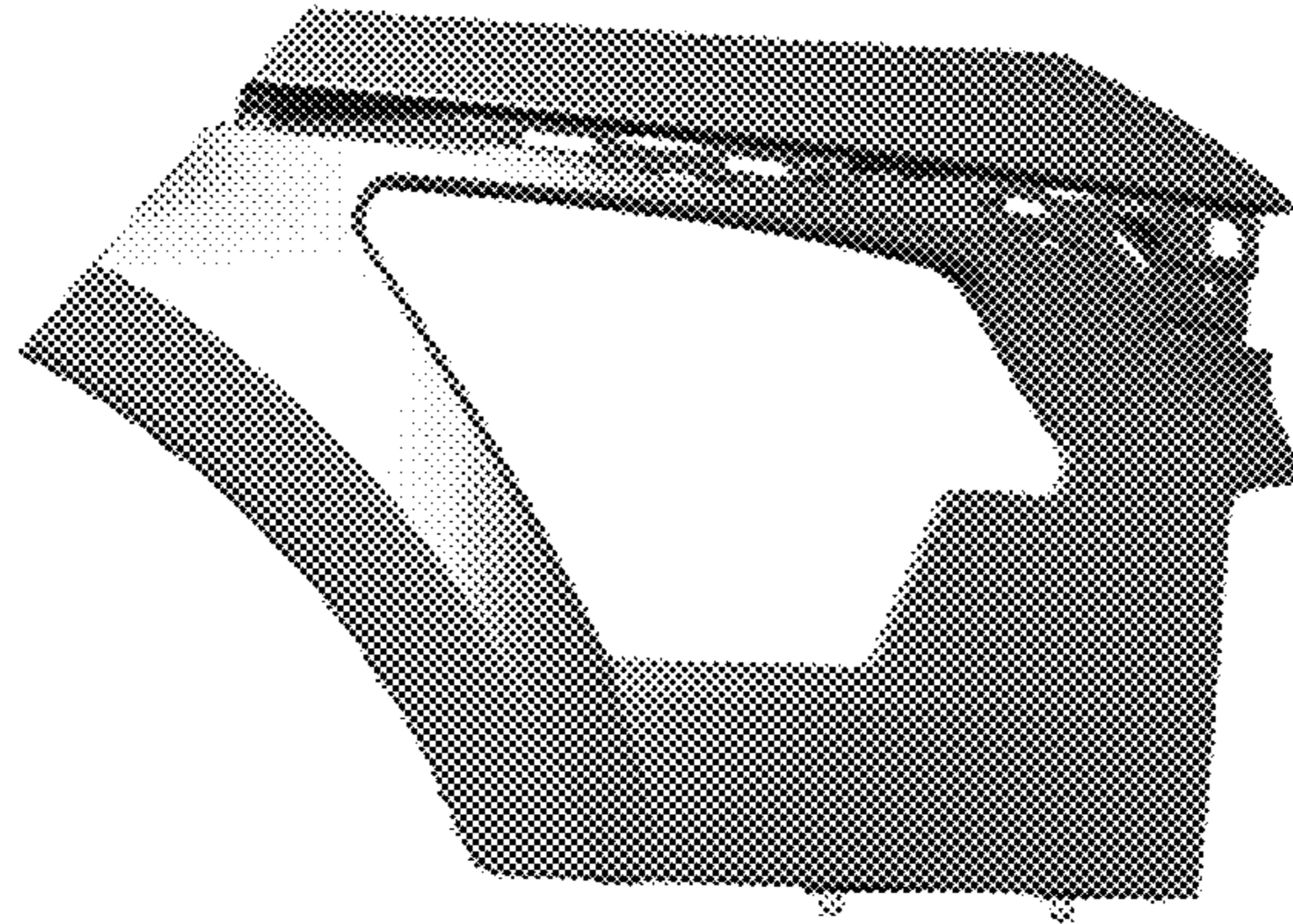
1.2



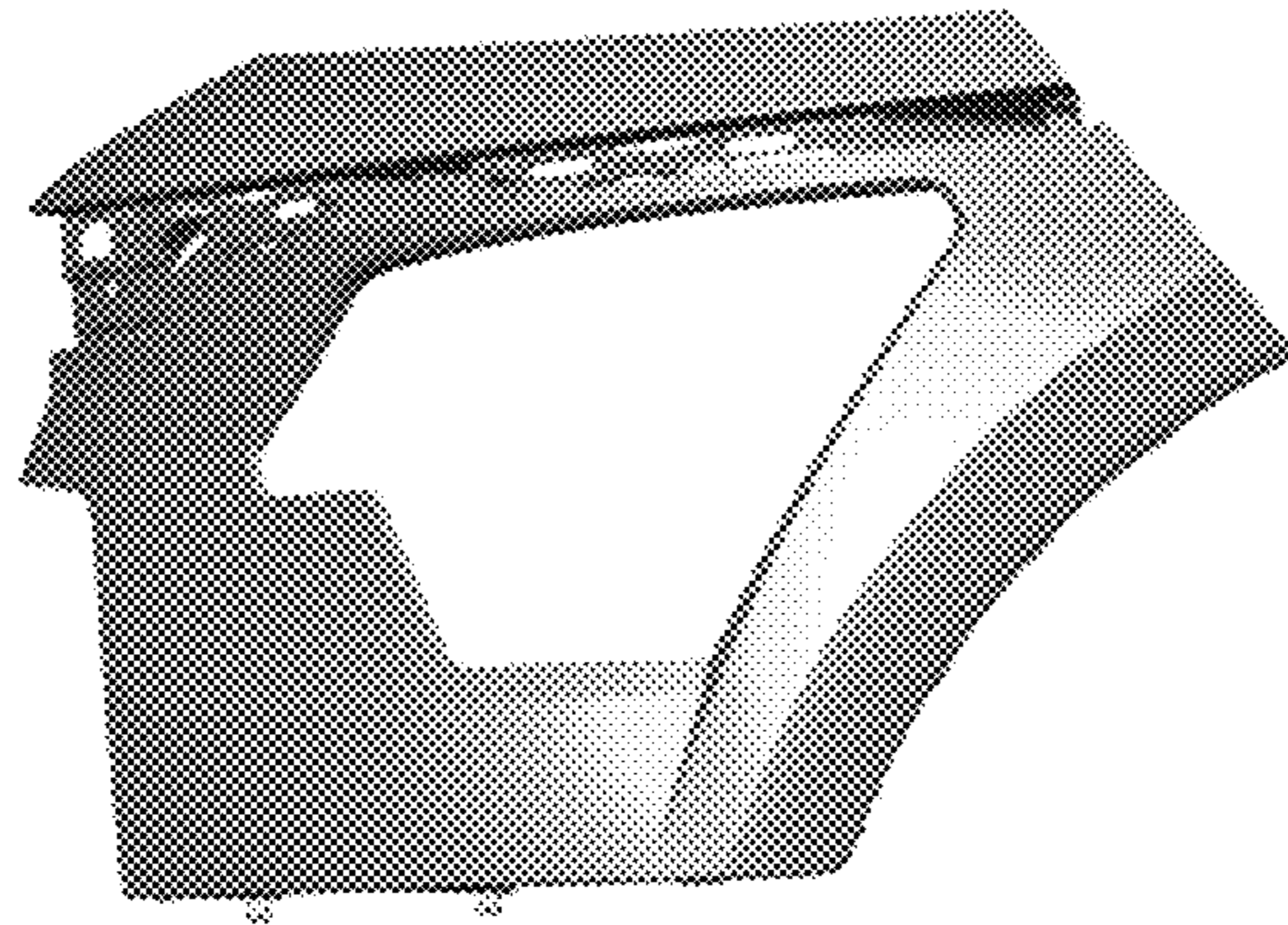
1.3



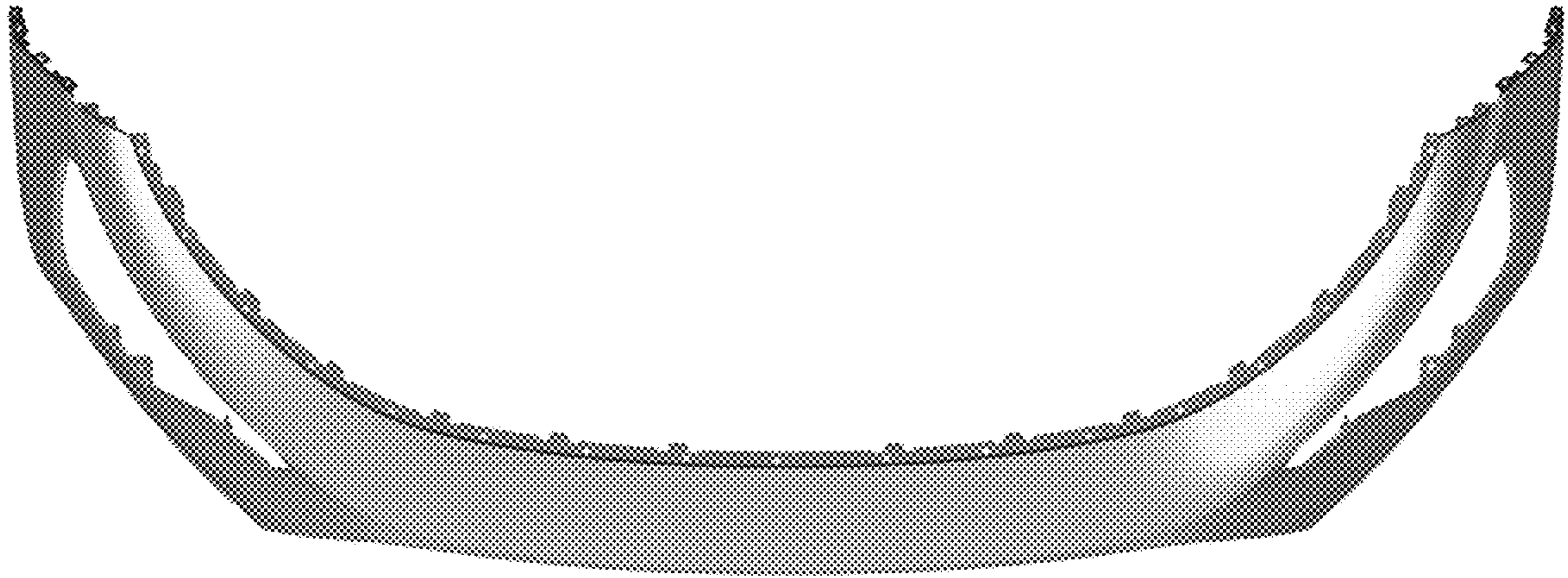
1.4



1.5



1.6



1.7

