



US00D974973S

(12) **United States Design Patent**
Mockenhaupt

(10) **Patent No.:** **US D974,973 S**

(45) **Date of Patent:** **** Jan. 10, 2023**

(54) **BUMPER FOR A VEHICLE**
(71) Applicant: **VOLVO CAR CORPORATION,**
Gothenburg (SE)
(72) Inventor: **Florian Mockenhaupt,** Gothenburg
(SE)
(73) Assignee: **VOLVO CAR CORPORATION,**
Gothenburg (SE)
(**) Term: **15 Years**

D736,683 S * 8/2015 Glover D12/169
D847,708 S * 5/2019 Yong D12/169
D851,560 S * 6/2019 Yong D12/169
D855,502 S * 8/2019 Behmer D12/163
D877,668 S * 3/2020 Bucher D12/169
D885,994 S * 6/2020 Metros D12/163
D887,317 S * 6/2020 Metros D12/163
D901,342 S * 11/2020 Yang D12/163
D902,093 S * 11/2020 Behmer D12/163
D910,503 S * 2/2021 Battams D12/163
D911,231 S * 2/2021 Bucher D12/169
D914,554 S * 3/2021 Bischoff D12/169
D915,957 S * 4/2021 Bischoff D12/169
D932,392 S * 10/2021 Akcay D12/169
D939,406 S * 12/2021 Bischoff D12/169

(21) Appl. No.: **29/785,879**

* cited by examiner

(22) Filed: **May 27, 2021**

Primary Examiner — Melody N Brown

(30) **Foreign Application Priority Data**

(74) *Attorney, Agent, or Firm* — Calderon Safran & Cole
PC

Dec. 21, 2020 (EM) 008353775-0009

(51) **LOC (14) Cl.** **12-16**

(52) **U.S. Cl.**
USPC **D12/169**

(58) **Field of Classification Search**
USPC D12/169, 196, 86, 90-92, 163, 190, 98,
D12/164; 293/102, 113, 115, 117, 120,
293/193.11; 296/180.1, 180.2
CPC B60R 19/02; B60R 19/04; B62D 25/08
See application file for complete search history.

(57) **CLAIM**

The ornamental design for a bumper for a vehicle, as shown
and described.

(56) **References Cited**

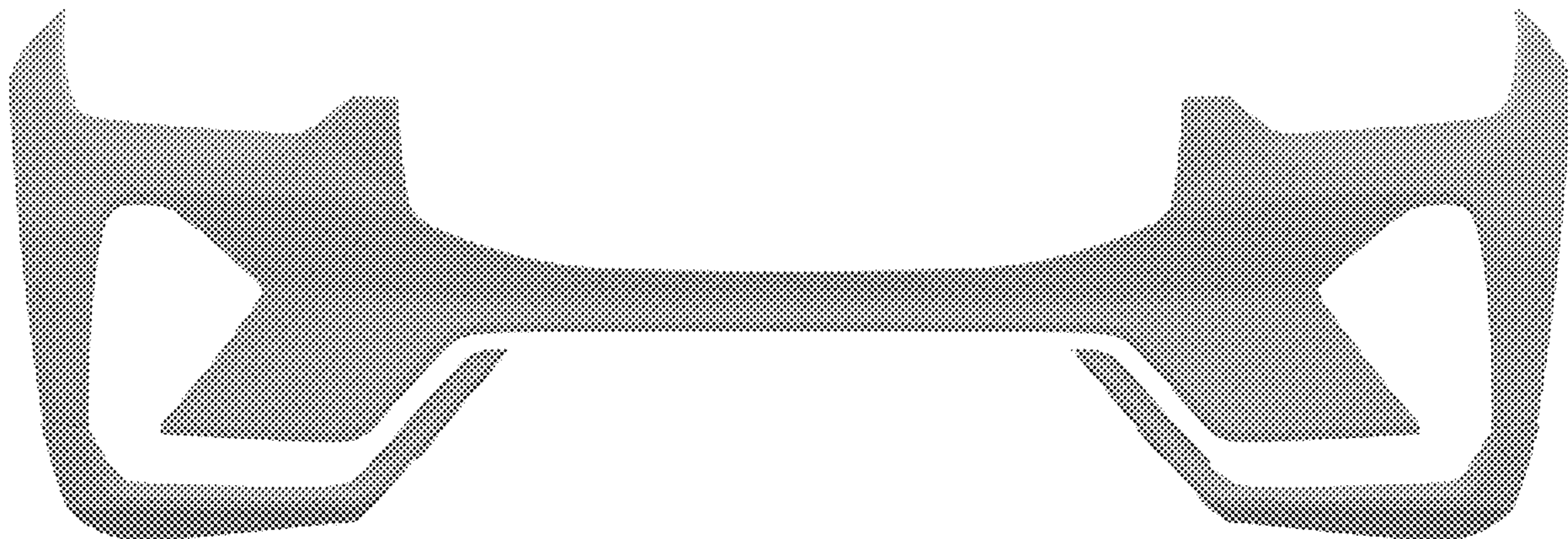
U.S. PATENT DOCUMENTS

D600,602 S * 9/2009 Endoh D12/169
D664,904 S * 8/2012 Koyama D12/169
D708,997 S * 7/2014 Koizumi D12/169

DESCRIPTION

FIG. 1 is a front view of a bumper for a vehicle showing my
new design;
FIG. 2 is a left, front perspective view thereof;
FIG. 3 is a right, rear perspective view thereof;
FIG. 4 is a left side view thereof;
FIG. 5 is a right side view thereof;
FIG. 6 is a top view thereof;
FIG. 7 is a bottom view thereof; and,
FIG. 8 is a rear view thereof.

1 Claim, 8 Drawing Sheets



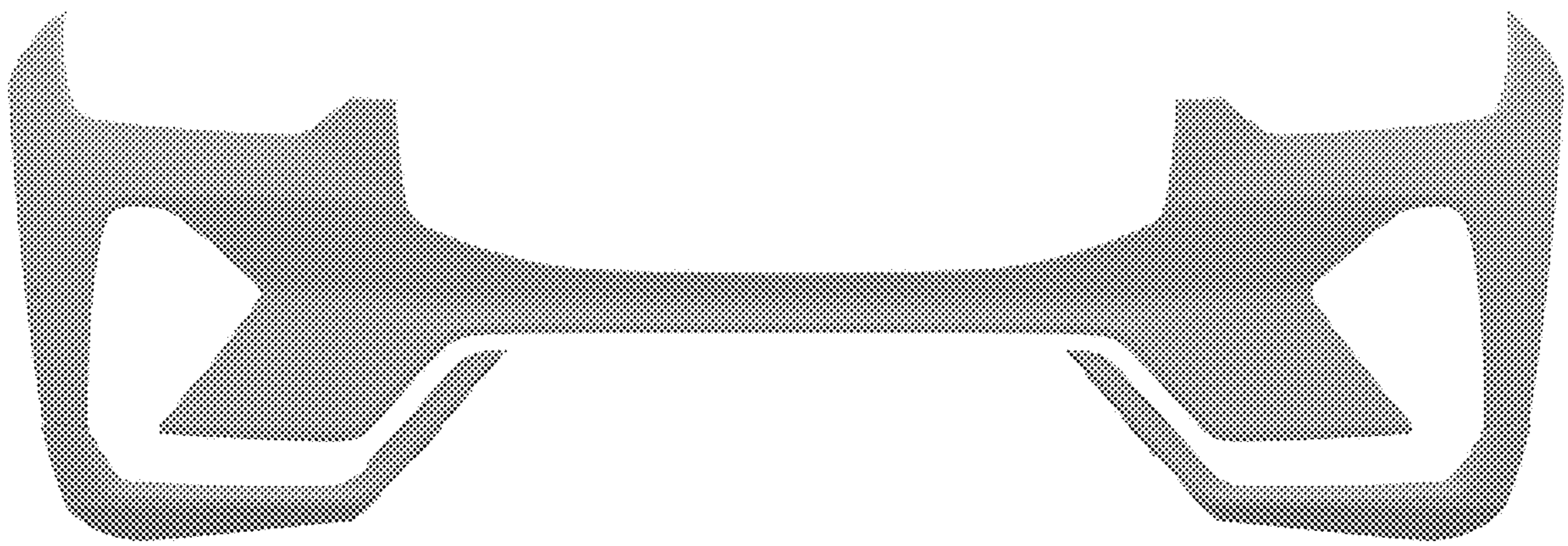


FIG. 1

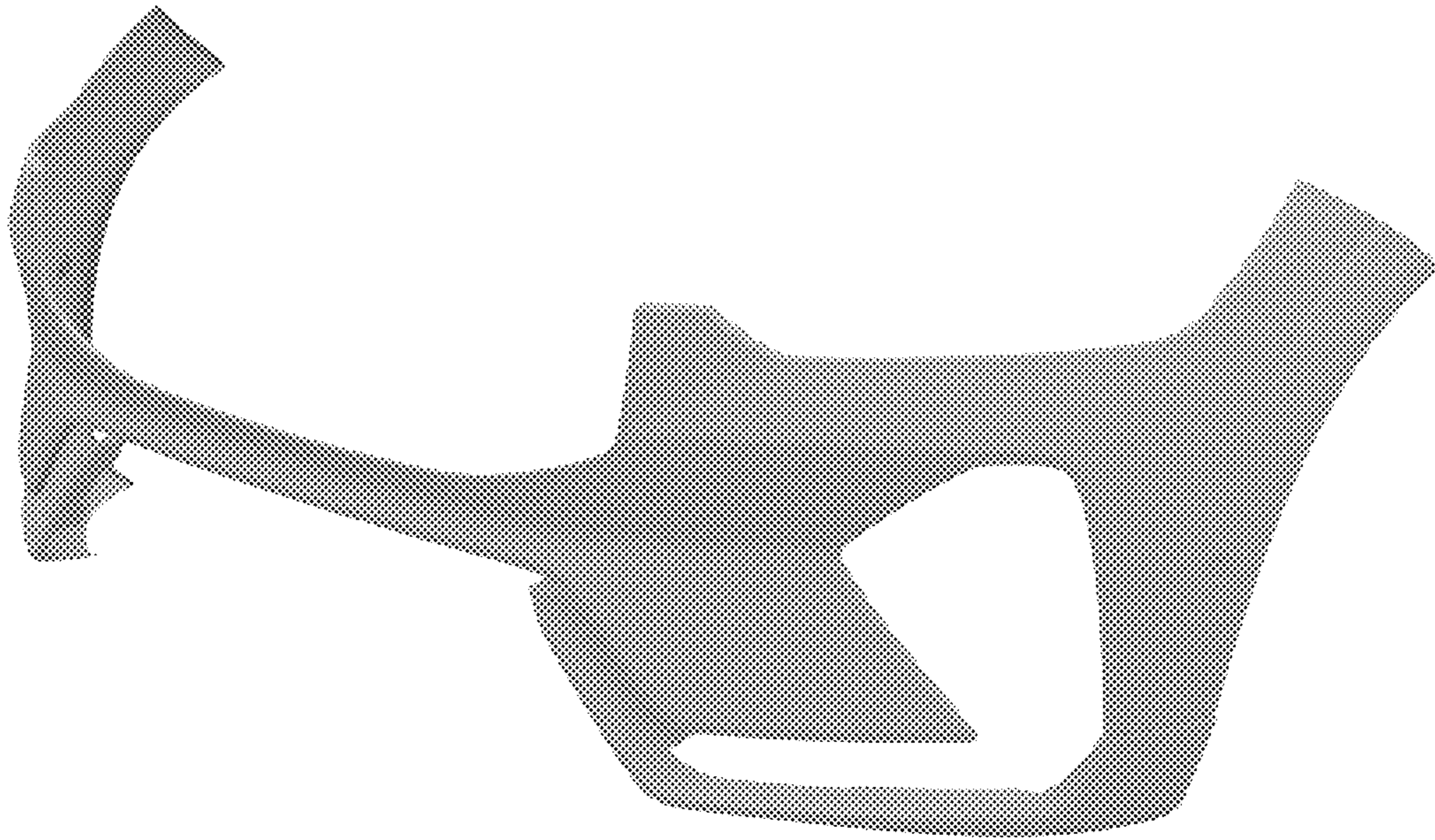


FIG. 2

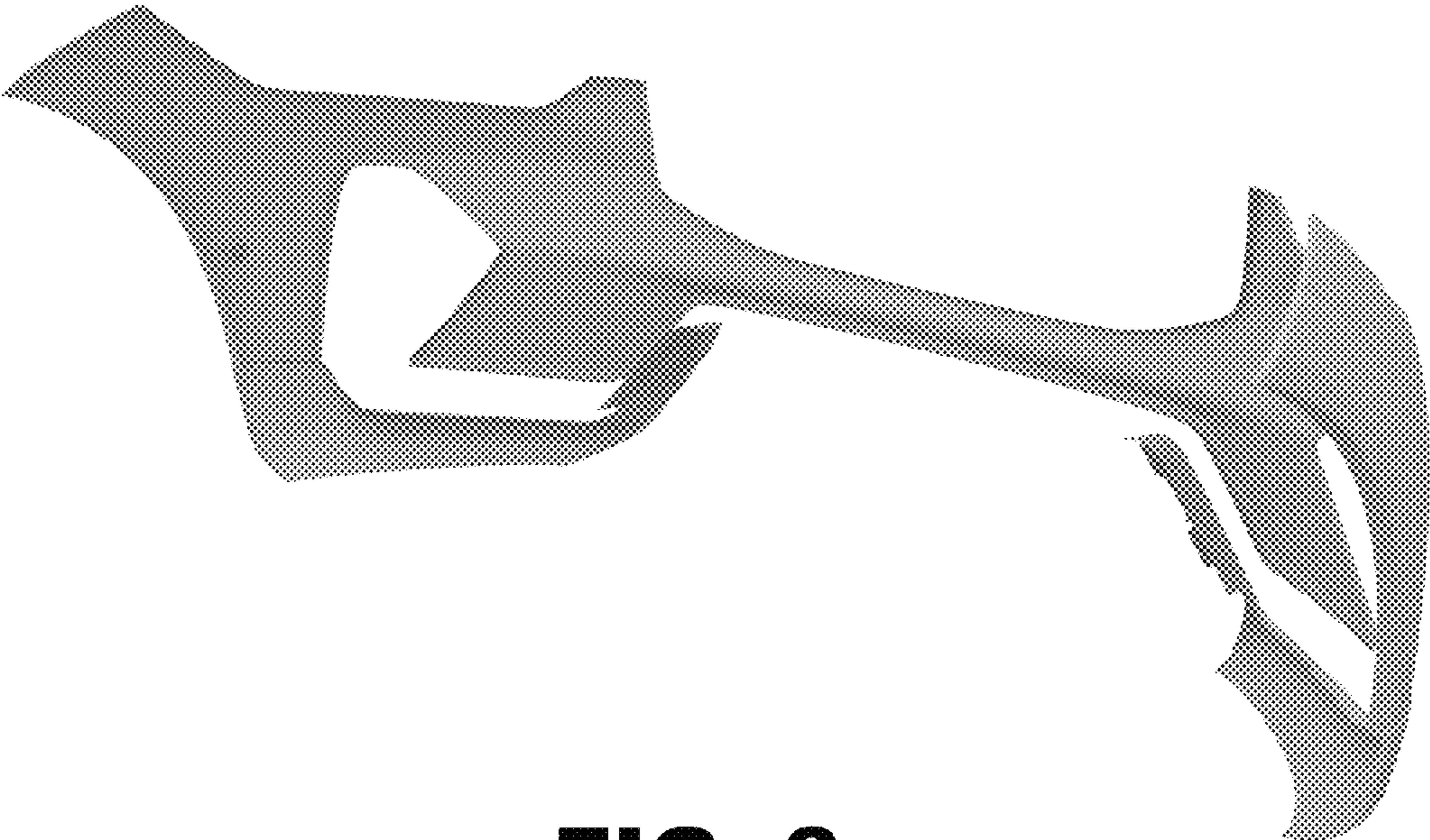


FIG. 3

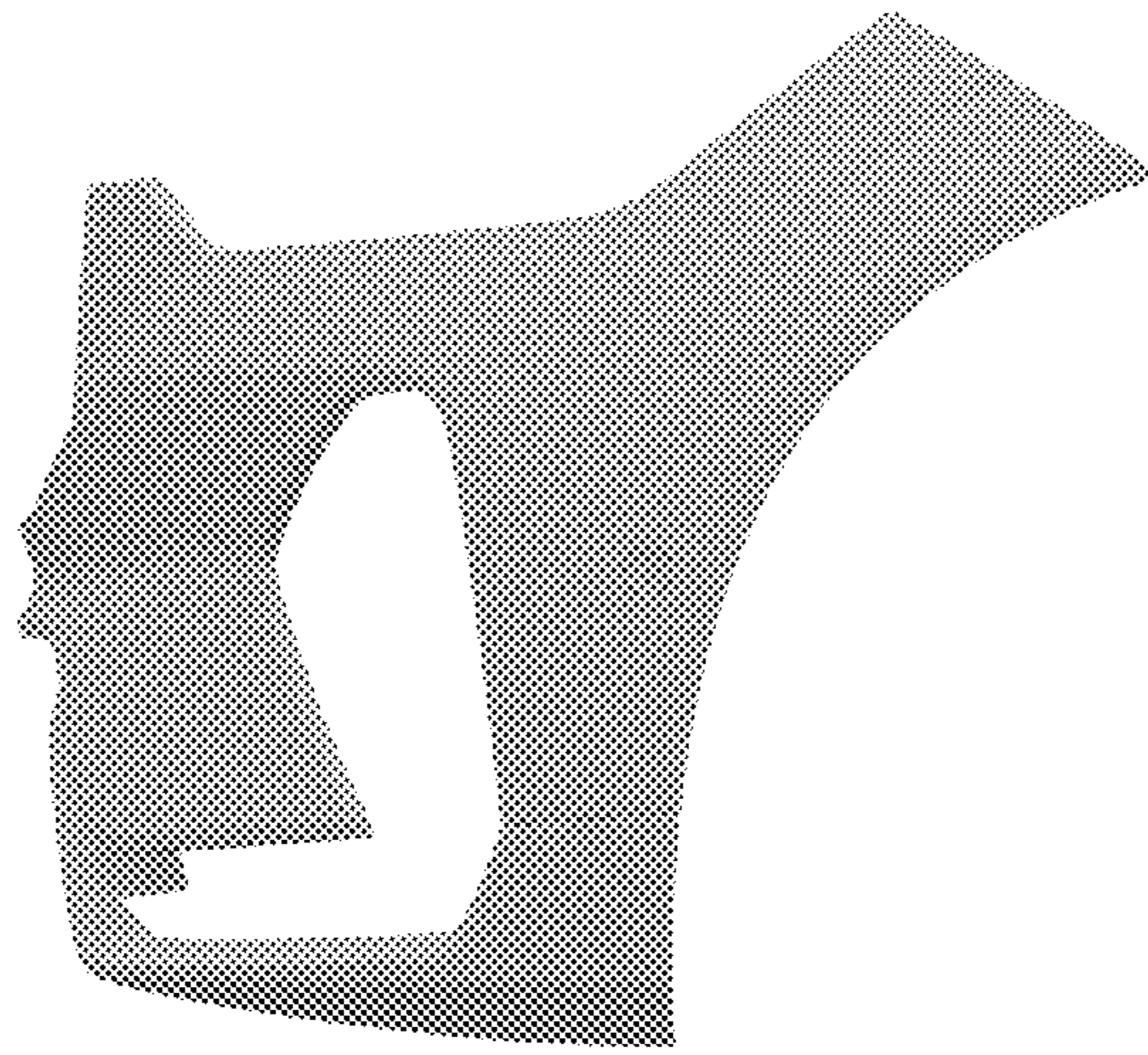


FIG. 4

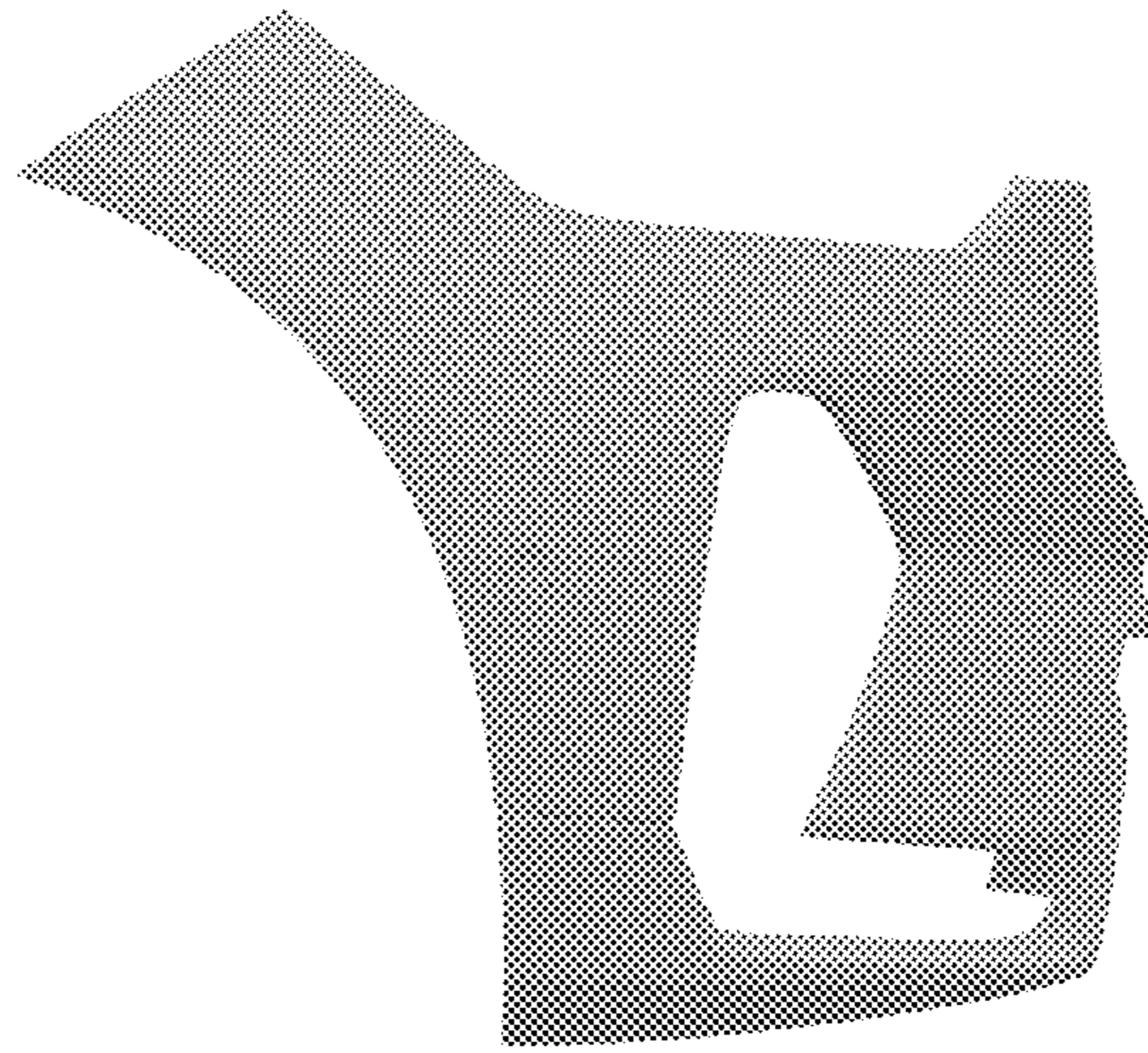
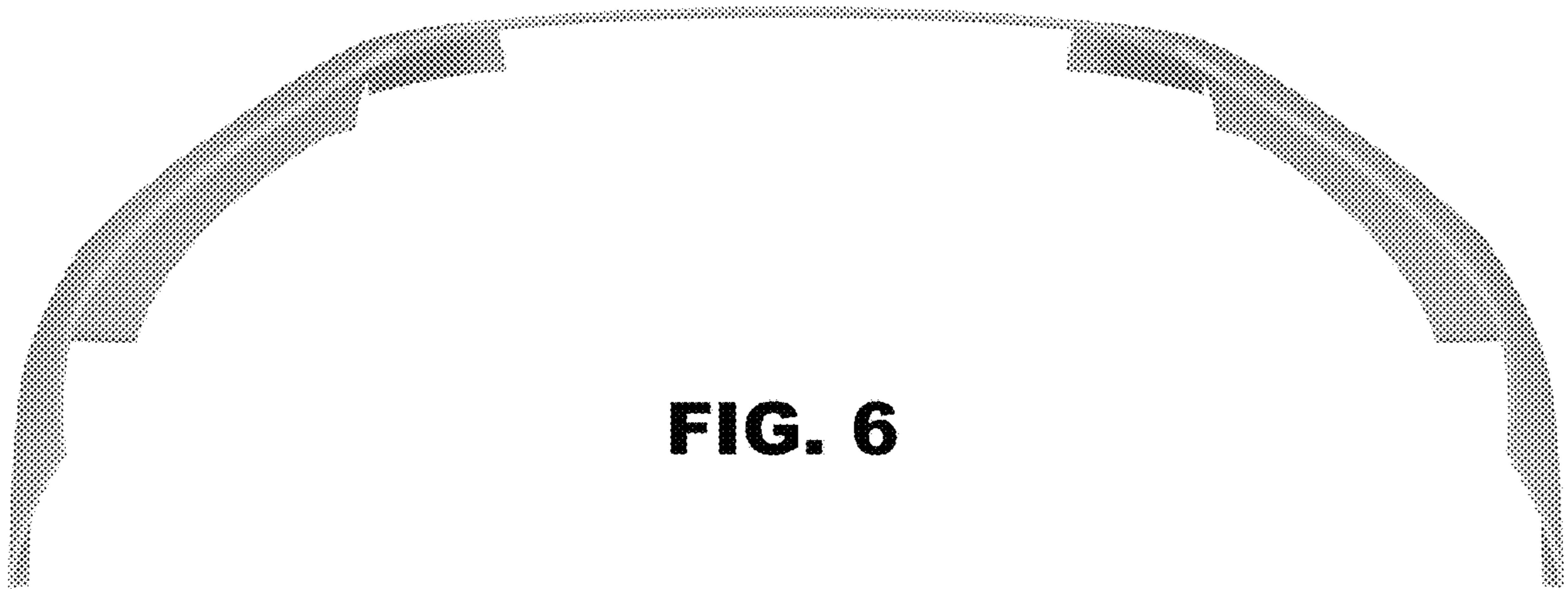


FIG. 5



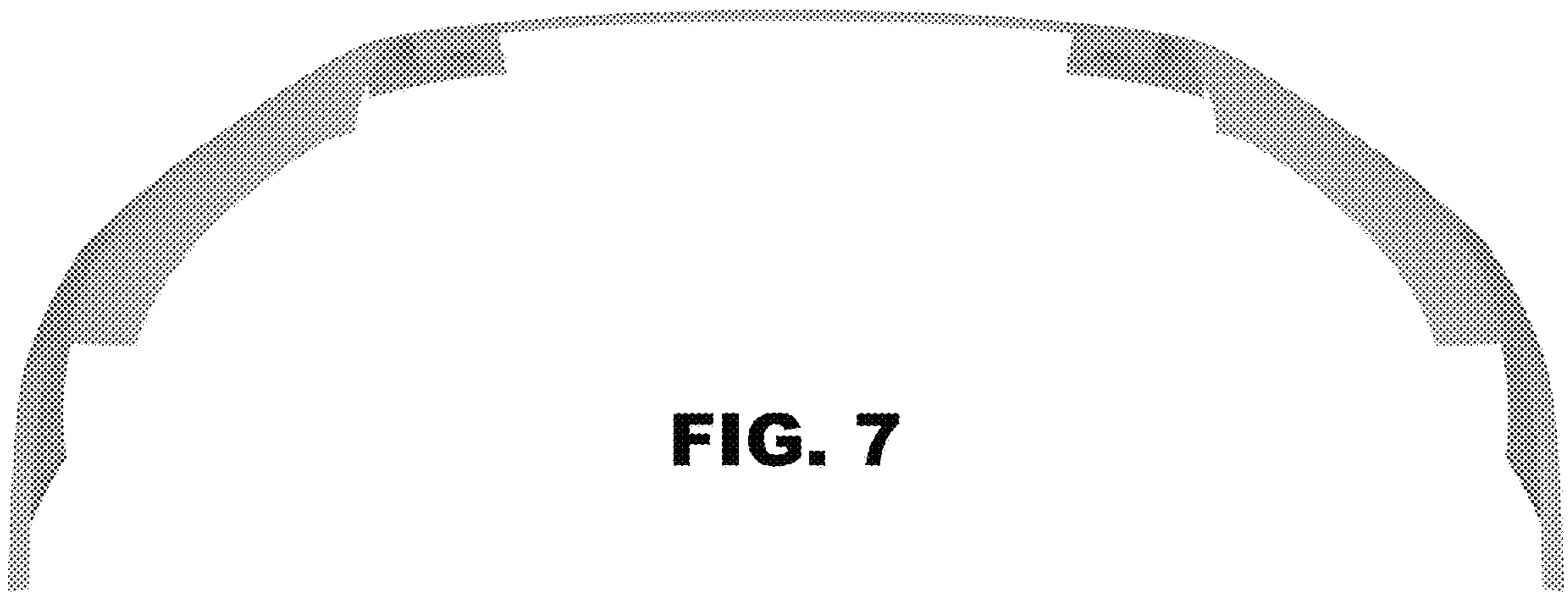


FIG. 7

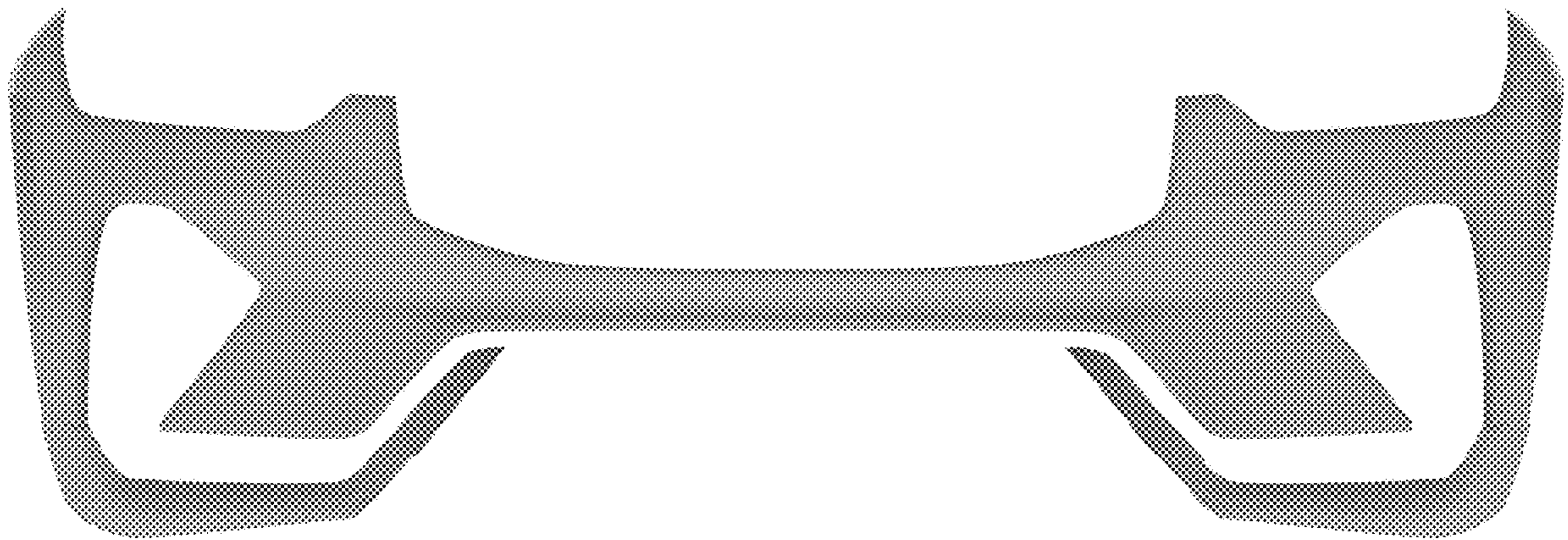


FIG. 8