



US00D974972S

(12) **United States Design Patent** (10) **Patent No.:** **US D974,972 S**
Arguden et al. (45) **Date of Patent:** **** Jan. 10, 2023**

(54) **VEHICLE FRONT UPPER BUMPER COVER**

(71) Applicant: **Ford Global Technologies, LLC,**
Dearborn, MI (US)

(72) Inventors: **Ege Arguden,** Detroit, MI (US); **Dong H. Park,** Canton, MI (US); **Paul Wraith,** West Bloomfield, MI (US); **William Mangan,** Ypsilanti, MI (US); **Damon G. DePeyster,** Northville, MI (US); **Heath W. Hillard,** Detroit, MI (US)

(73) Assignee: **Ford Global Technologies, LLC,**
Dearborn, MI (US)

(**) Term: **15 Years**

(21) Appl. No.: **29/781,621**

(22) Filed: **Apr. 30, 2021**

(51) **LOC (14) Cl.** **12-16**

(52) **U.S. Cl.**
USPC **D12/169**

(58) **Field of Classification Search**
USPC D12/169, 196, 86, 90-92, 163, 190, 98,
D12/164; 293/102, 113, 115, 117, 120,
293/193.11; 296/180.1, 180.2
CPC B60R 19/02; B60R 19/04; B62D 25/08
See application file for complete search history.

(56) **References Cited**

U.S. PATENT DOCUMENTS

D610,501 S	2/2010	Bucher et al.	
D696,168 S *	12/2013	Ito	D12/169
D698,712 S *	2/2014	Sato	D12/169
D699,167 S *	2/2014	Sato	D12/169
D705,139 S *	5/2014	Jevremovic	D12/169
D715,708 S *	10/2014	Mays	D12/169
D718,678 S *	12/2014	Ishizuka	D12/169
D718,680 S *	12/2014	Galante	D12/169

D721,306 S *	1/2015	George	D12/169
D721,625 S *	1/2015	George	D12/169
D725,009 S *	3/2015	Hirai	D12/169
D725,010 S *	3/2015	Takei	D12/169
D733,624 S *	7/2015	Morikawa	D12/169
D735,097 S *	7/2015	Nissl	D12/169
D740,186 S *	10/2015	Gunnarson	D12/169
D746,733 S *	1/2016	Behmer et al.	
D749,473 S *	2/2016	Lee	D12/169
D753,564 S *	4/2016	Frascella	D12/169
D763,746 S *	8/2016	Tsutamori	D12/169
D765,567 S *	9/2016	De Bono	D12/169
D771,535 S *	11/2016	Wolff	D12/169
D784,868 S *	4/2017	Yamamoto	D12/169
D793,293 S *	8/2017	Lee	D12/169

(Continued)

FOREIGN PATENT DOCUMENTS

CN 2020301244122 9/2020

Primary Examiner — Melody N Brown

(74) *Attorney, Agent, or Firm* — Vichit Chea

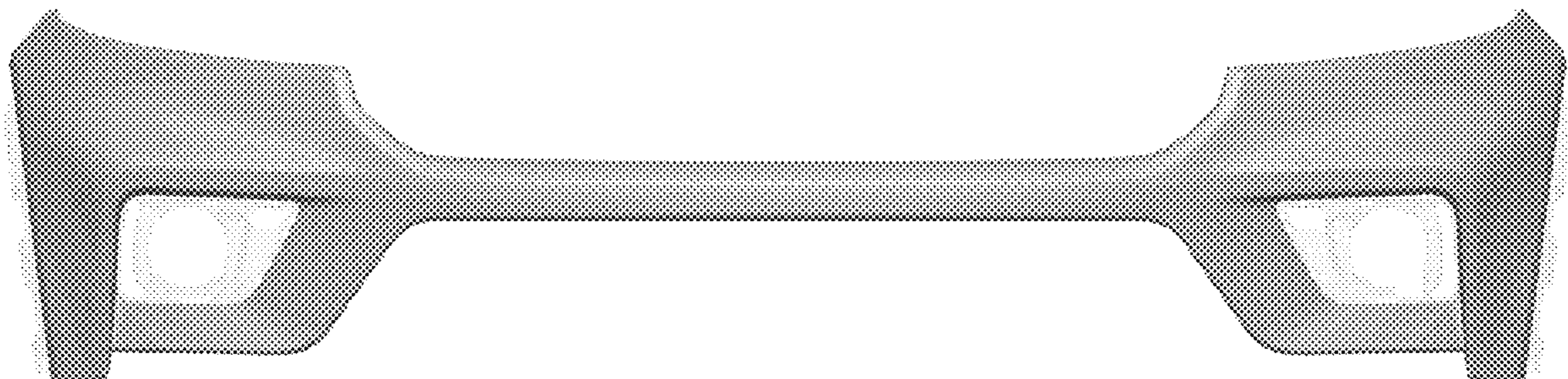
(57) **CLAIM**

The ornamental design for a vehicle front upper bumper cover, as shown and described.

DESCRIPTION

FIG. 1 is a front elevational view of a vehicle front upper bumper cover, showing our new design;
FIG. 2 is a left side elevational view thereof;
FIG. 3 is a right side elevational view thereof;
FIG. 4 is a top plan view thereof;
FIG. 5 is a bottom plan view thereof;
FIG. 6 is a top, front and left side perspective view thereof;
and,
FIG. 7 is a bottom, front and left side perspective view thereof.
The claimed design is indicated by the relatively dark portions in the figures. The de-emphasized and relatively light portions form no part of the claimed design.

1 Claim, 7 Drawing Sheets



(56)

References Cited

U.S. PATENT DOCUMENTS

D801,237	S	*	10/2017	Jang	D12/169
D807,248	S	*	1/2018	Piscitelli	D12/169
D807,256	S	*	1/2018	Piscitelli	D12/169
D817,235	S	*	5/2018	Bucher	D12/169
D840,299	S	*	2/2019	Dewitt	D12/169
D850,994	S	*	6/2019	Dewitt	D12/169
D859,239	S	*	9/2019	Sullivan	D12/169
D874,991	S	*	2/2020	Park	D12/169
D876,998	S	*	3/2020	Harriton	D12/169
D890,645	S	*	7/2020	Owens	D12/169
D890,648	S	*	7/2020	Arias	D12/169

* cited by examiner

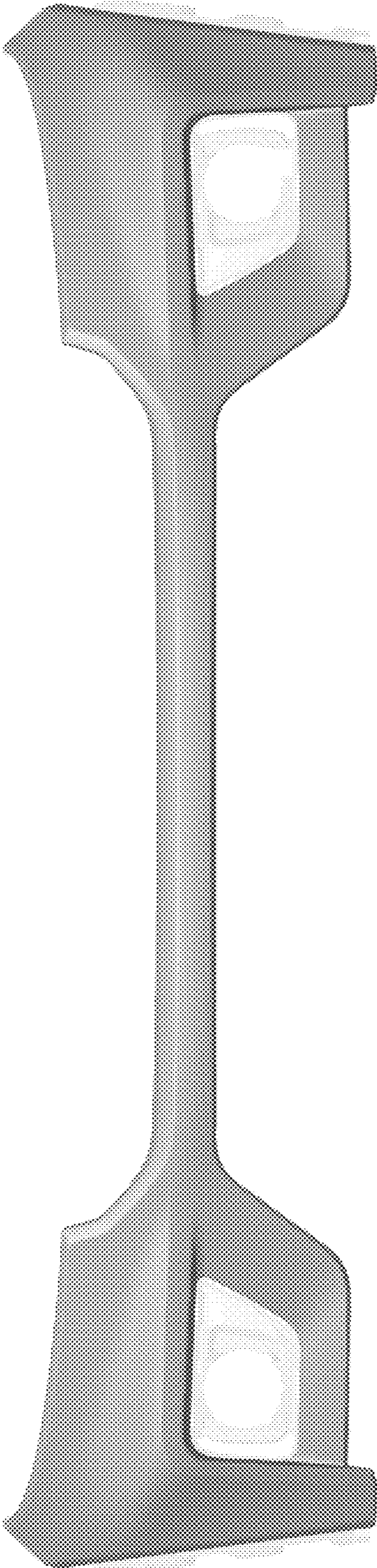


Fig. 1

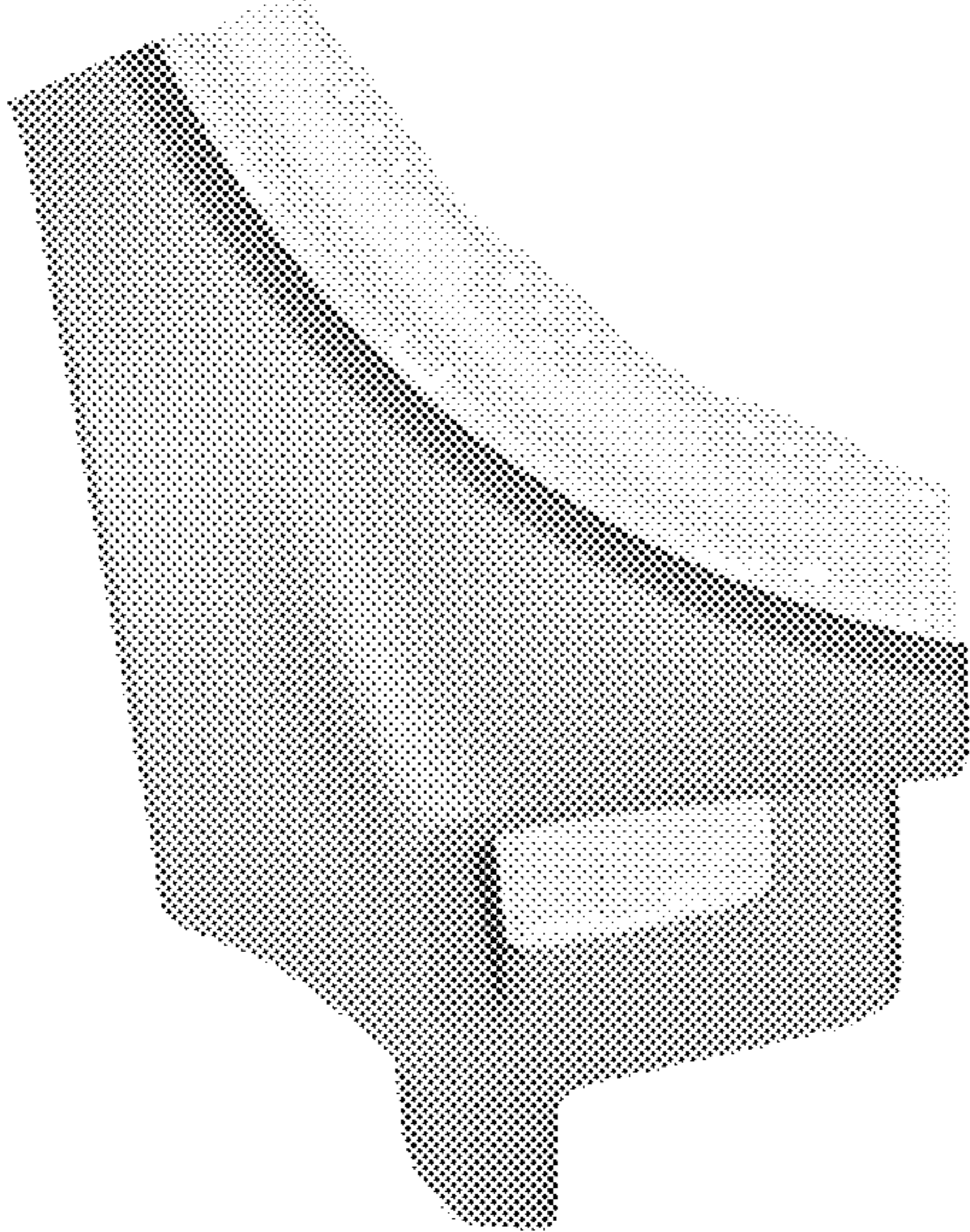


Fig.2

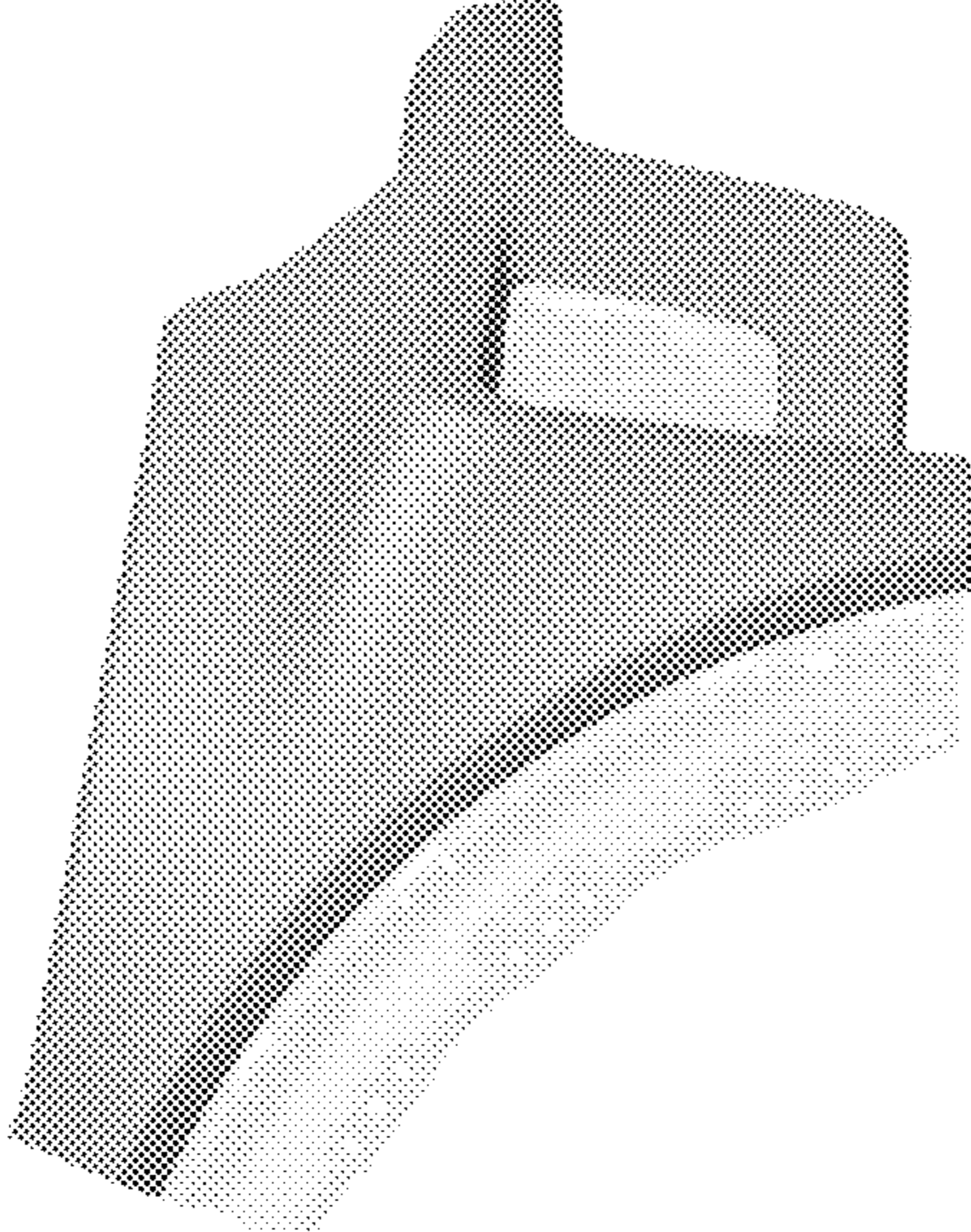


Fig. 3

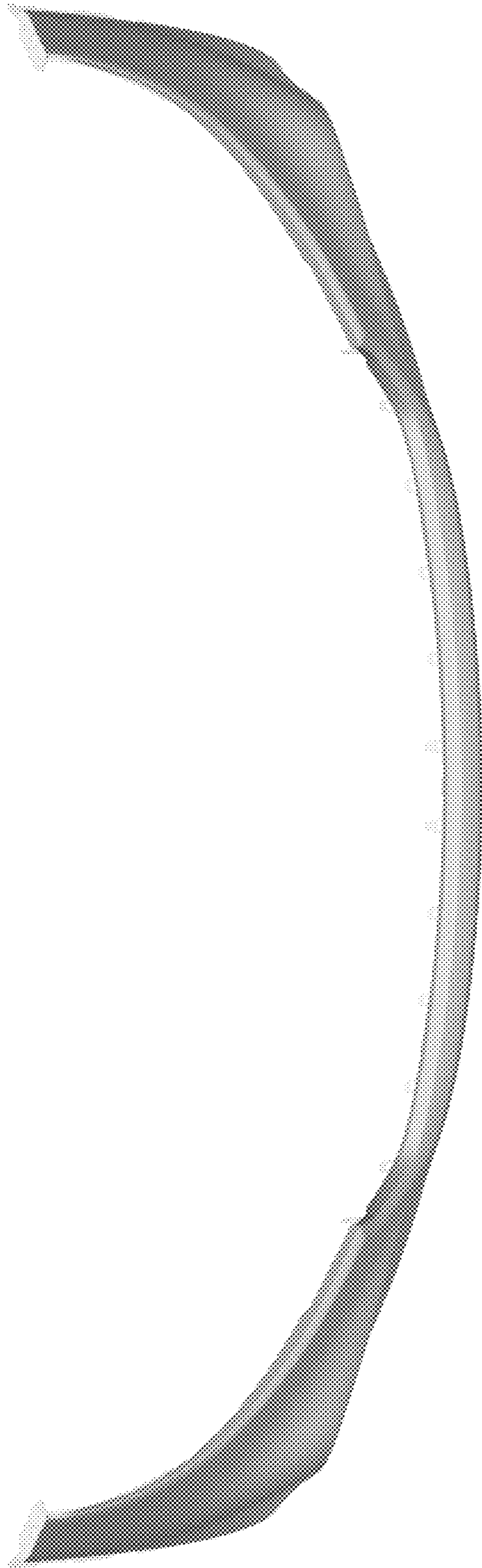


Fig.4

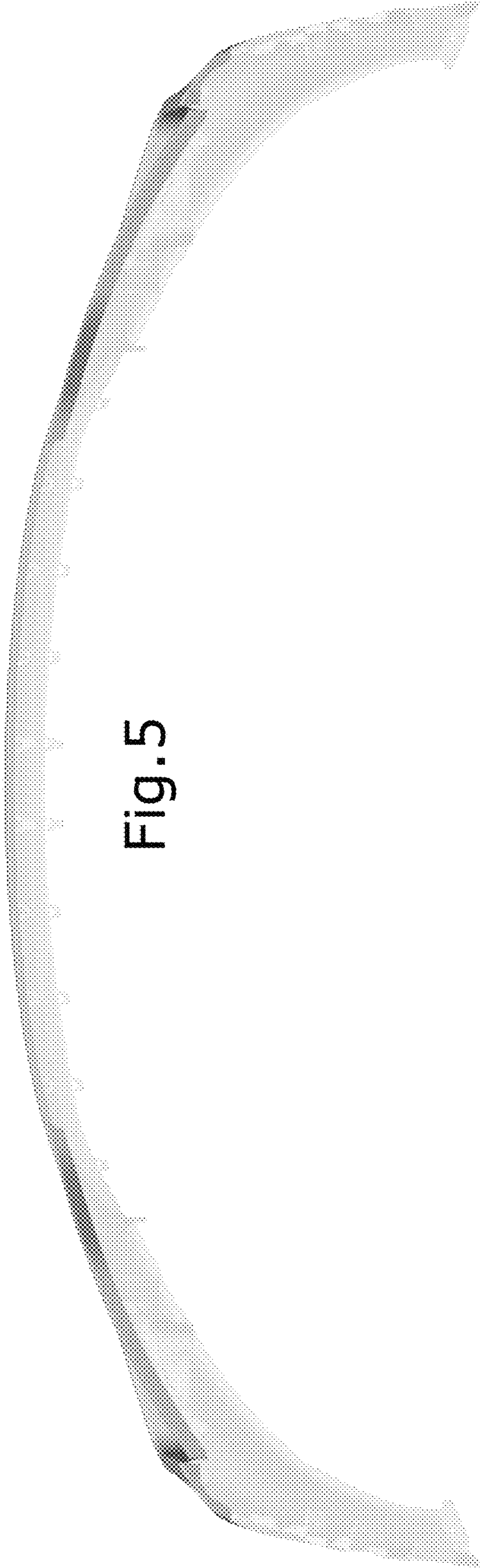


Fig. 5

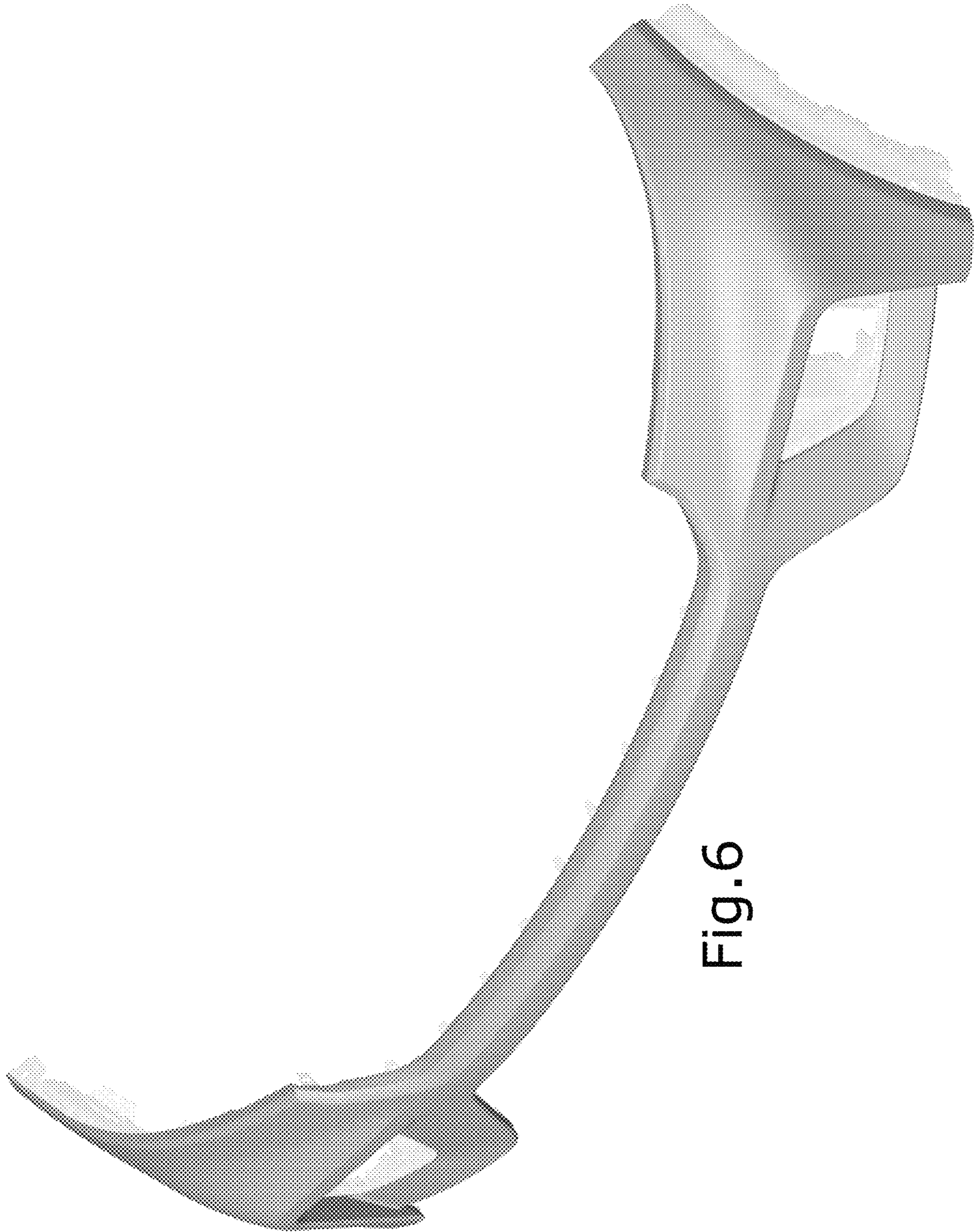


Fig. 6

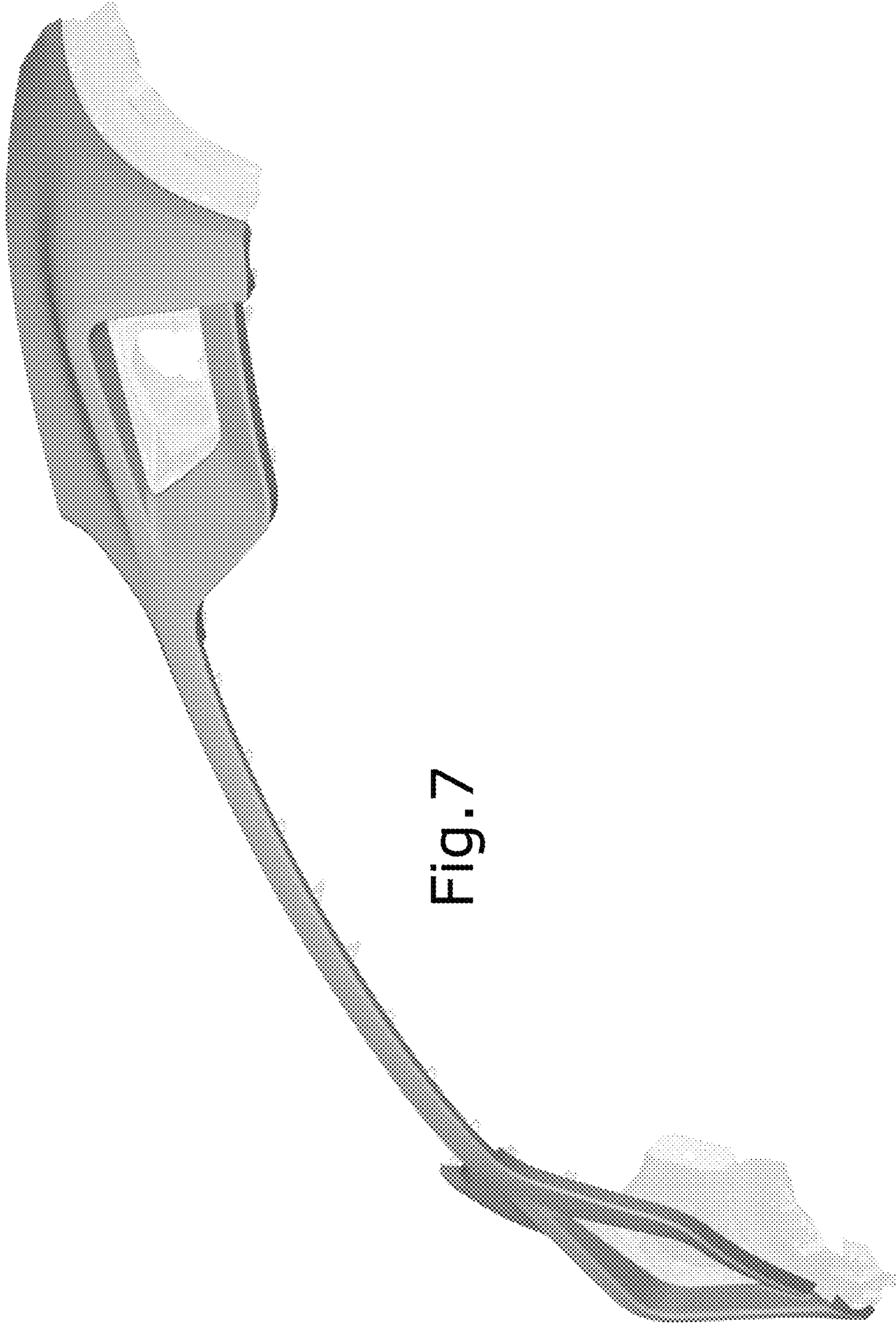


Fig. 7