



US00D974971S

(12) **United States Design Patent** (10) **Patent No.:** **US D974,971 S**  
**Yeh** (45) **Date of Patent:** **\*\* Jan. 10, 2023**

(54) **CAR FRONT BUMPER LIP**  
(71) Applicant: **Tzu-Ling Yeh**, Jiangsu (CN)  
(72) Inventor: **Tzu-Ling Yeh**, Jiangsu (CN)  
(\*\*) Term: **15 Years**  
(21) Appl. No.: **29/760,027**  
(22) Filed: **Nov. 27, 2020**  
(51) **LOC (14) Cl.** ..... **12-16**  
(52) **U.S. Cl.**  
USPC ..... **D12/169**  
(58) **Field of Classification Search**  
USPC ..... D12/86, 90, 91, 92, 163, 164, 169, 171,  
D12/196, 216  
CPC ..... B60R 19/02; B60R 19/04; B60R 19/52;  
B62D 25/08  
See application file for complete search history.

Honda Civic Front Bumper Lip Spoiler. Apr. 1, 2021. Amazon. <https://www.amazon.com/Q1-TECH-compatible-1996-1998-Splitter-CS-Style/dp/B0971YTFYQ>.  
Carbon Fiber Look ABS Front Bumper Lip. May 25, 2020. Amazon. <https://www.amazon.com/EPARTS-Spoiler-Protection-2014-2017-Infiniti/dp/B085HKFKHR>.  
3 Pieces Style Black Front Bumper Lip Spoiler Splitter. Mar. 5, 2020. Amazon. <https://www.amazon.com/Spoiler-Splitter-Protection-Compatible-2018-2020/dp/B085FZBC6K>.

\* cited by examiner

*Primary Examiner* — George D. Kirschbaum  
*Assistant Examiner* — Suzanne E Tisdell  
(74) *Attorney, Agent, or Firm* — Wayne IP LLC

(57) **CLAIM**

The ornamental design for a car front bumper lip, as shown and described.

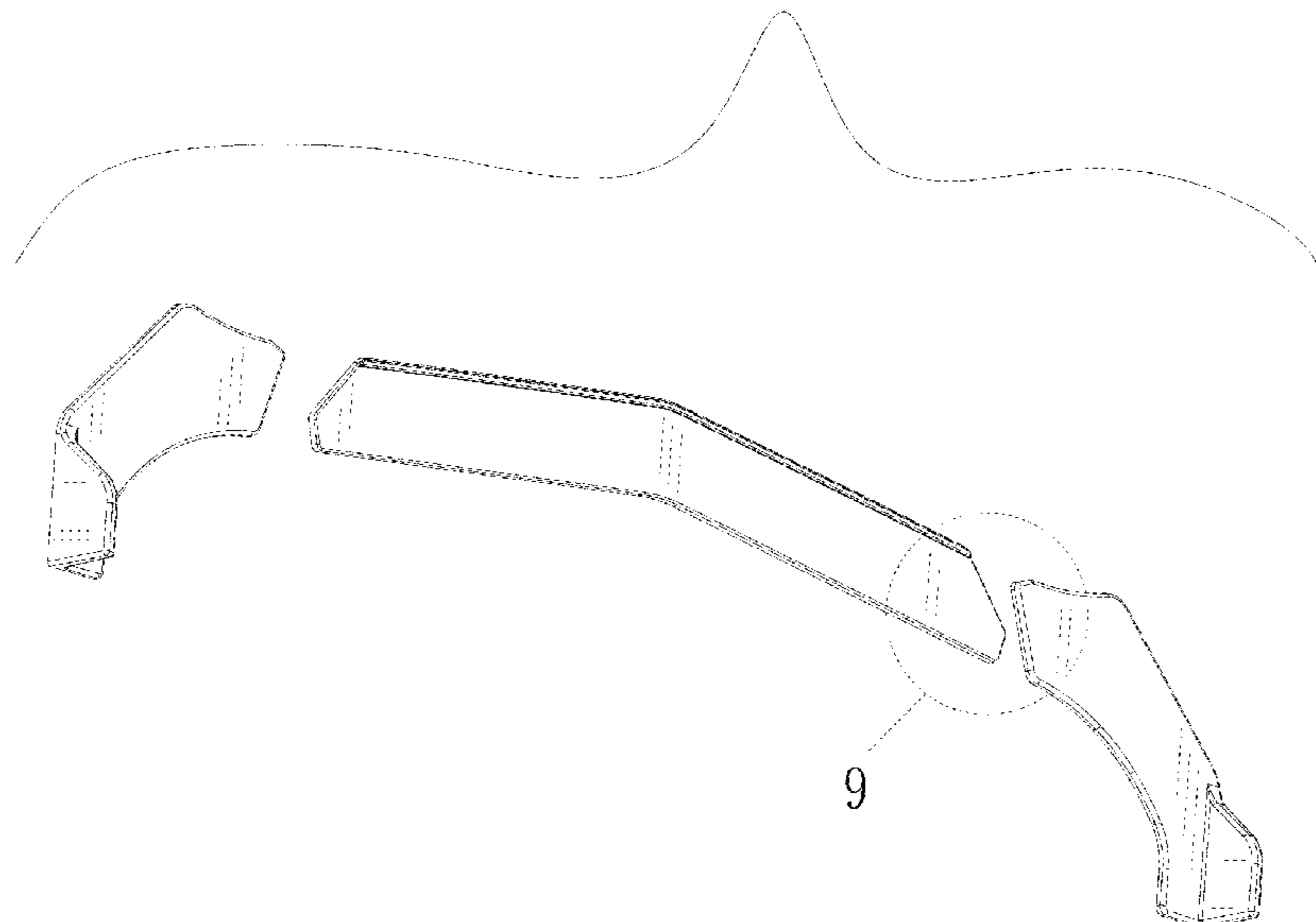
**DESCRIPTION**

FIG. 1 is a perspective view of a car front bumper lip showing my new design;  
FIG. 2 is another perspective view thereof;  
FIG. 3 is a front view thereof;  
FIG. 4 is a back view thereof;  
FIG. 5 is a top view thereof;  
FIG. 6 is a bottom view thereof;  
FIG. 7 is an enlarged right view thereof;  
FIG. 8 is an enlarged left view thereof;  
FIG. 9 is a partially enlarged view of FIG. 1;  
FIG. 10 is a partially enlarged view of FIG. 2;  
FIG. 11 is a partially enlarged view of FIG. 3;  
FIG. 12 is a partially enlarged view of FIG. 4;  
FIG. 13 is a partially enlarged view of FIG. 5; and,  
FIG. 14 is a partially enlarged view of FIG. 6.  
The broken lines shown on the drawings depict portions of the car front bumper lip that form no part of the claimed design.

(56) **References Cited**  
U.S. PATENT DOCUMENTS  
D937,153 S \* 11/2021 Isogai ..... D12/169  
D938,320 S \* 12/2021 Sperling ..... D12/169  
D939,401 S \* 12/2021 Becker ..... D12/169  
D939,406 S \* 12/2021 Bischoff ..... D12/169  
D945,331 S \* 3/2022 Koo ..... D12/169  
D949,768 S \* 4/2022 Yeh ..... D12/196  
D951,159 S \* 5/2022 Oh ..... D12/169  
D951,830 S \* 5/2022 Elmitt ..... D12/169  
D955,931 S \* 6/2022 Jevremovic ..... D12/169  
D955,934 S \* 6/2022 De Leon ..... D12/169  
D955,938 S \* 6/2022 Buller ..... D12/169  
D955,939 S \* 6/2022 Buller ..... D12/169  
D956,636 S \* 7/2022 Bucher ..... D12/169

**OTHER PUBLICATIONS**  
Bumpers.(Design—© Questel) orbit.com. [Online PDF compilation of references] 51 pgs. Print Dates Range Jun. 6, 2022-Oct. 19, 2021 [Retrieved Jul. 13, 2022].\*

**1 Claim, 14 Drawing Sheets**



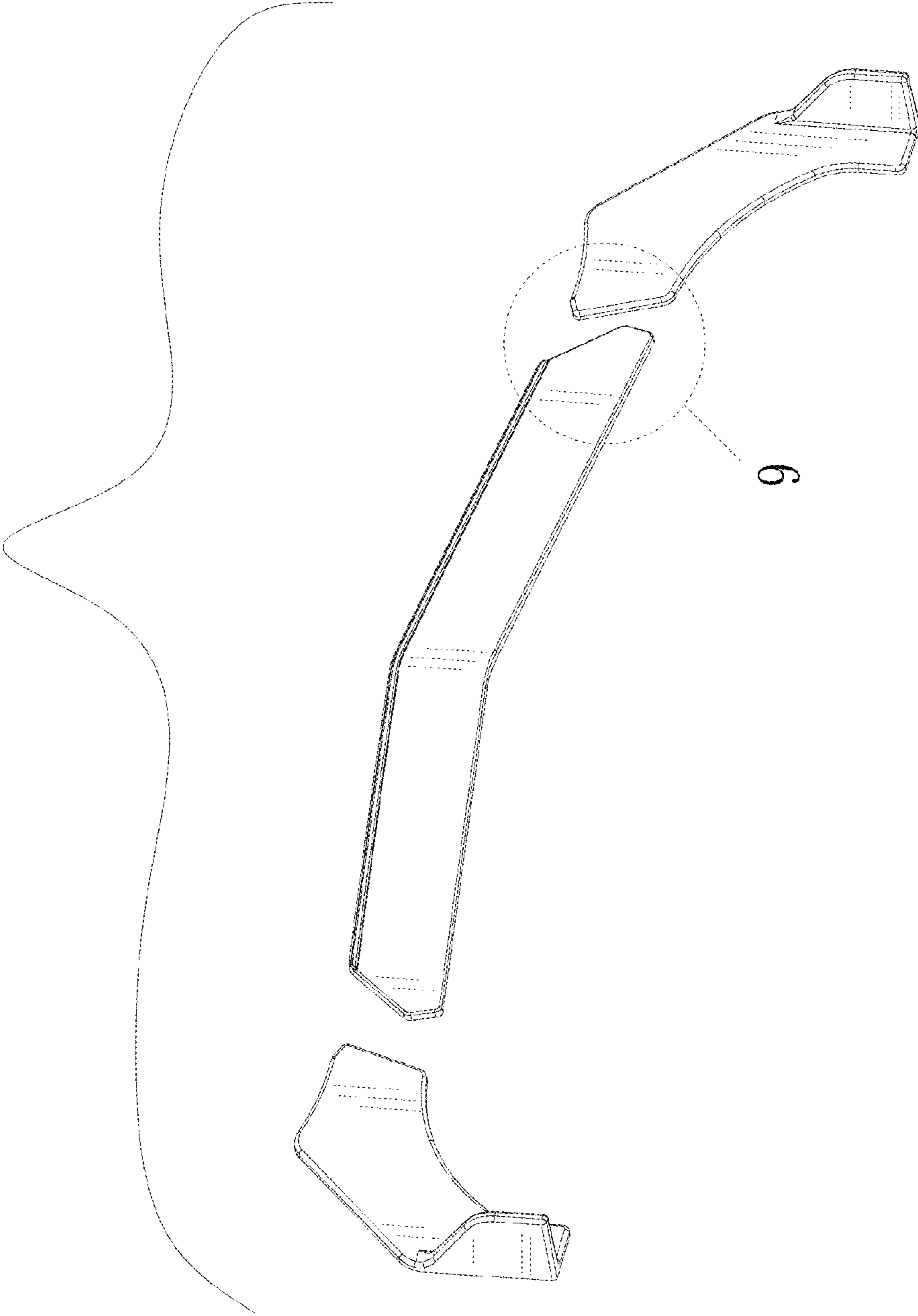


FIG. 1

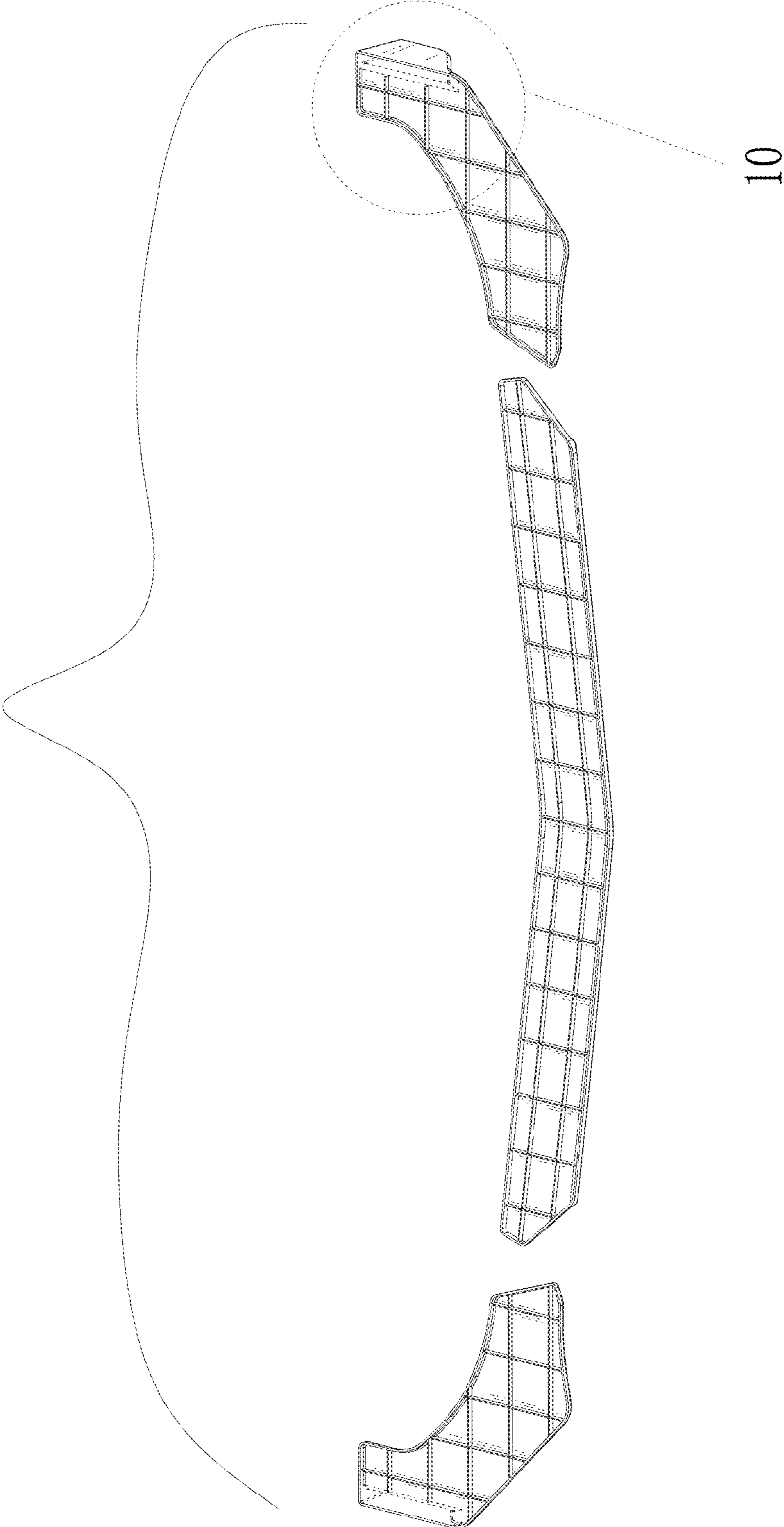


FIG. 2

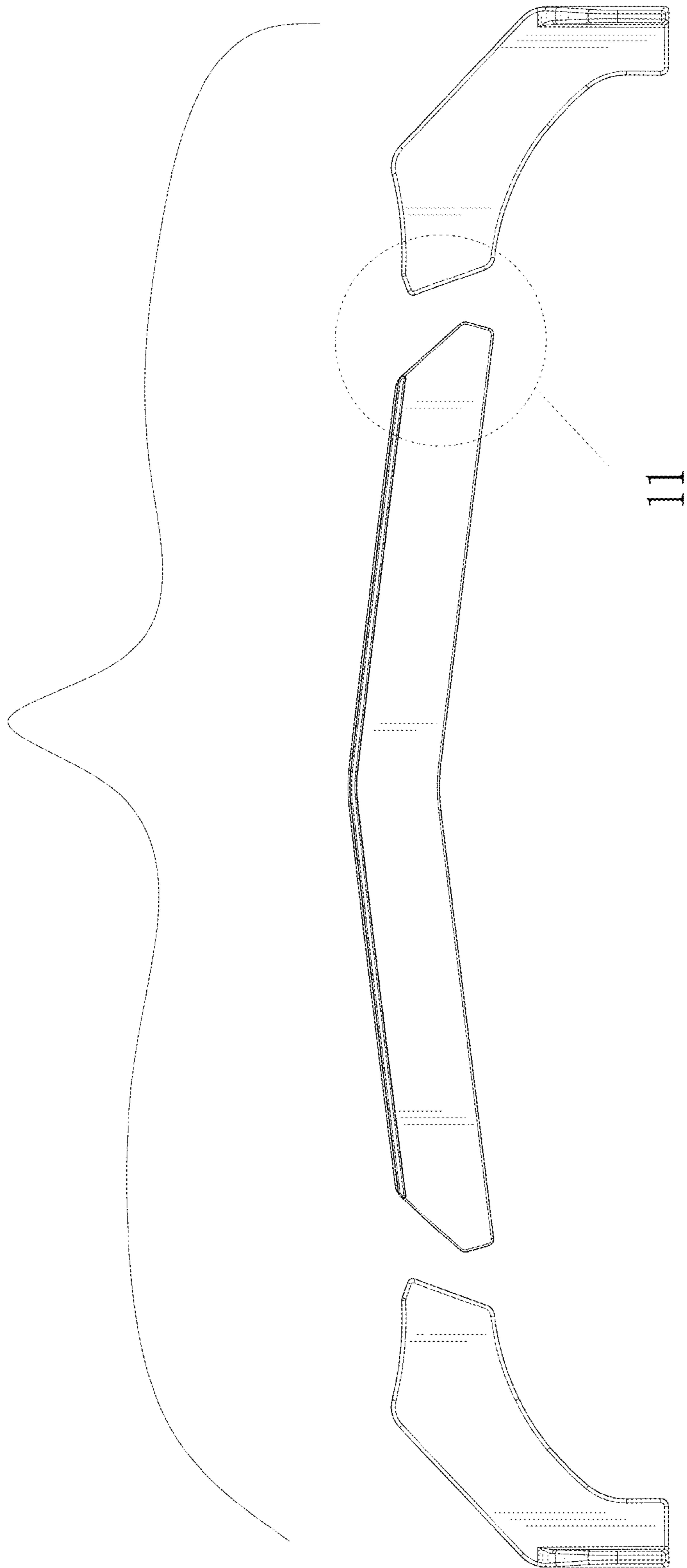


FIG. 3

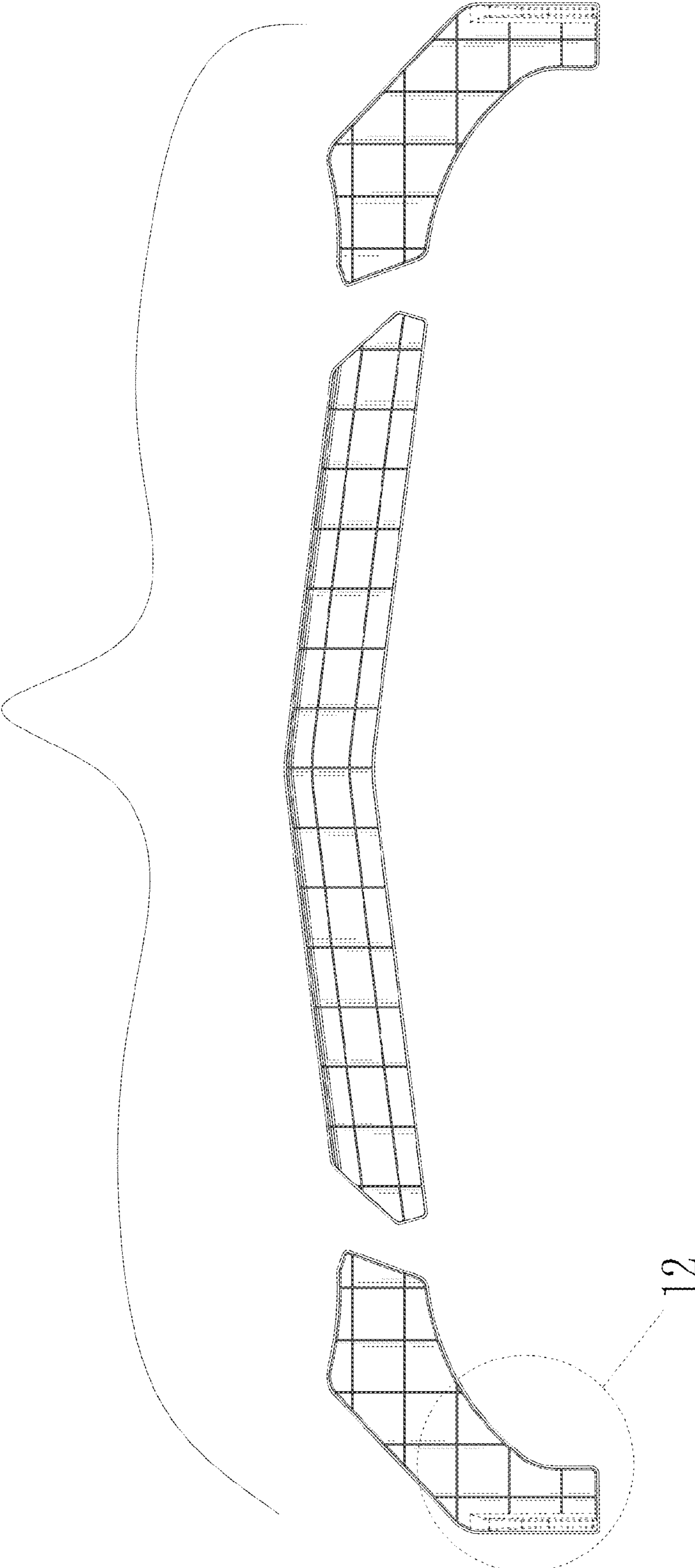


FIG. 4

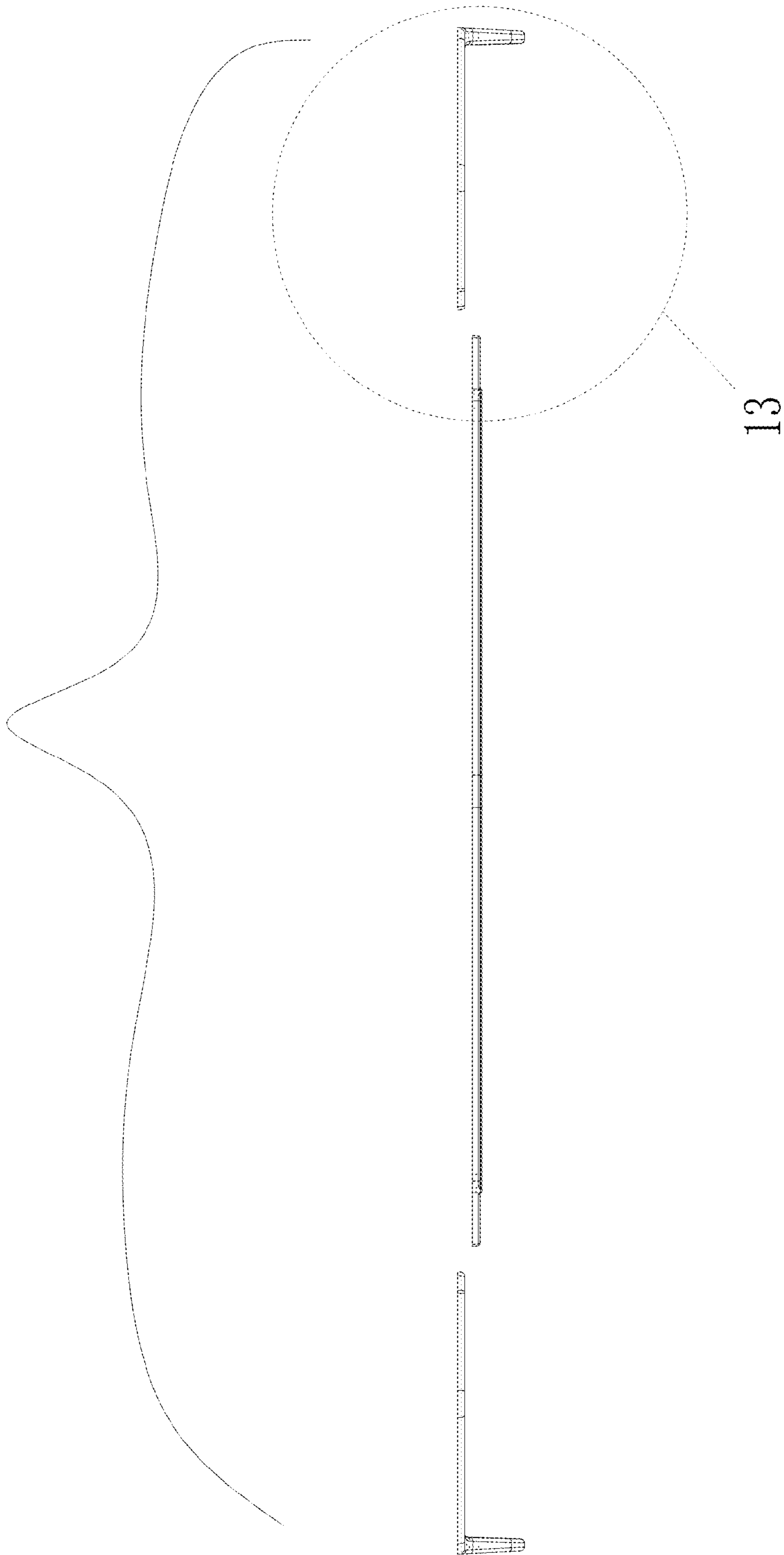


FIG. 5

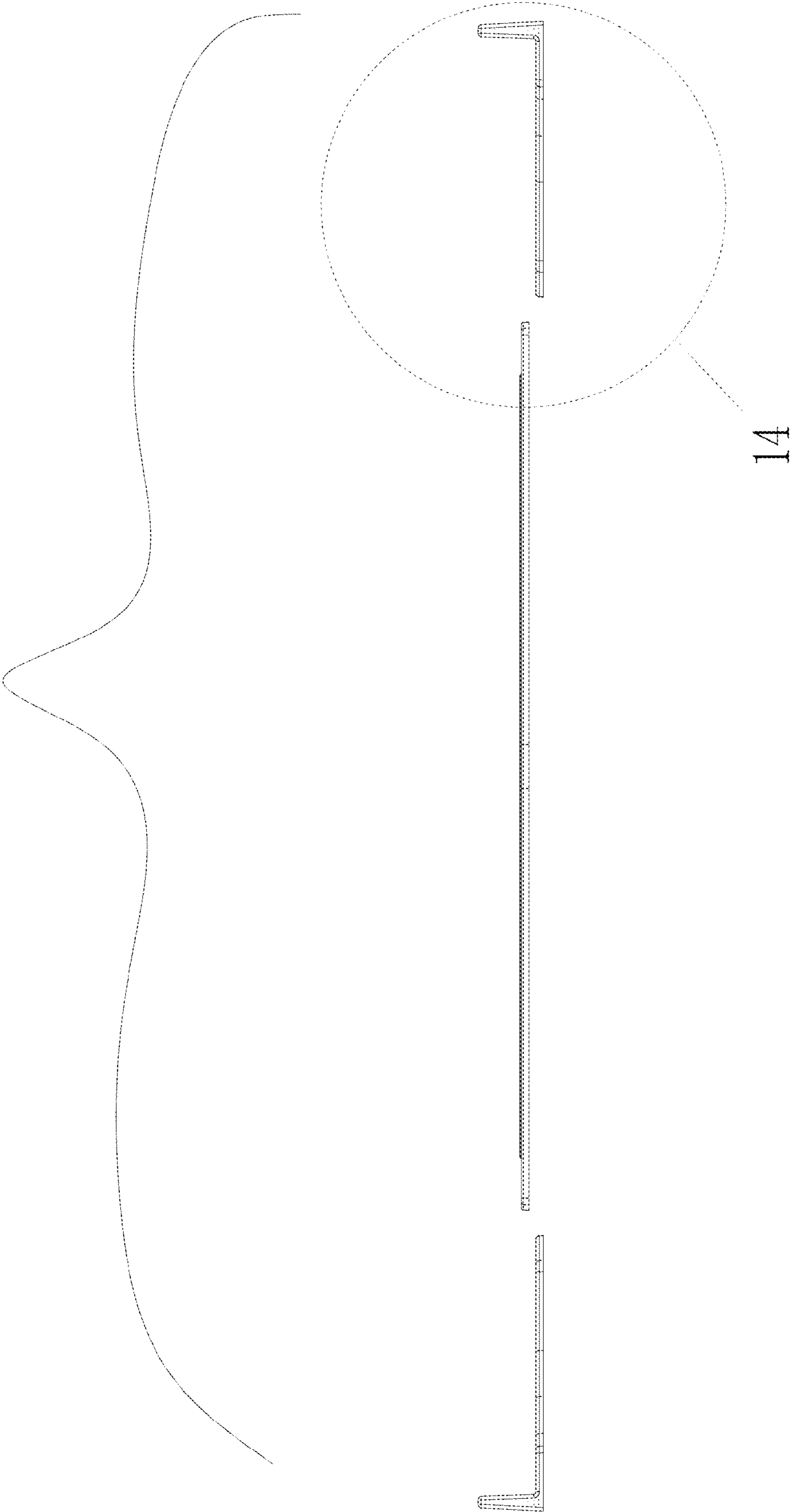


FIG. 6

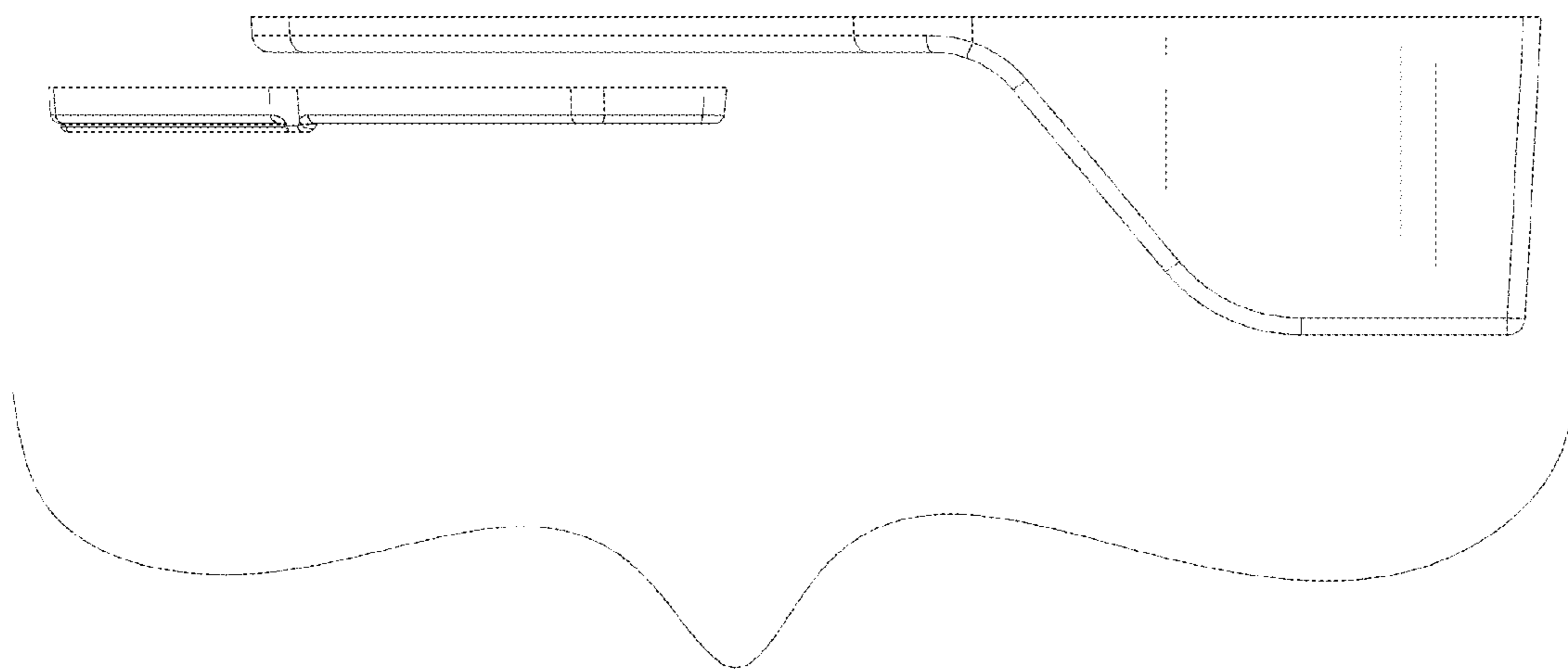


FIG. 7



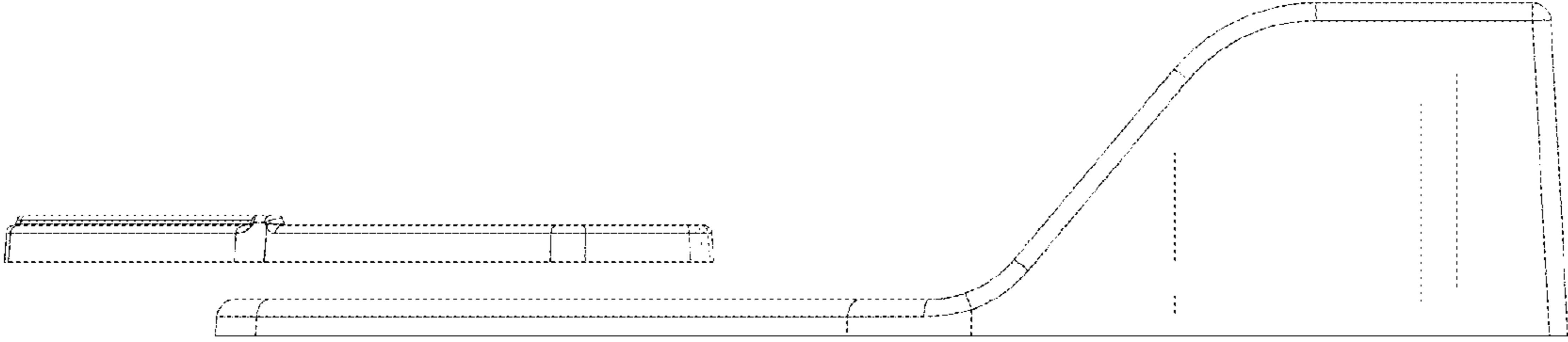


FIG. 8

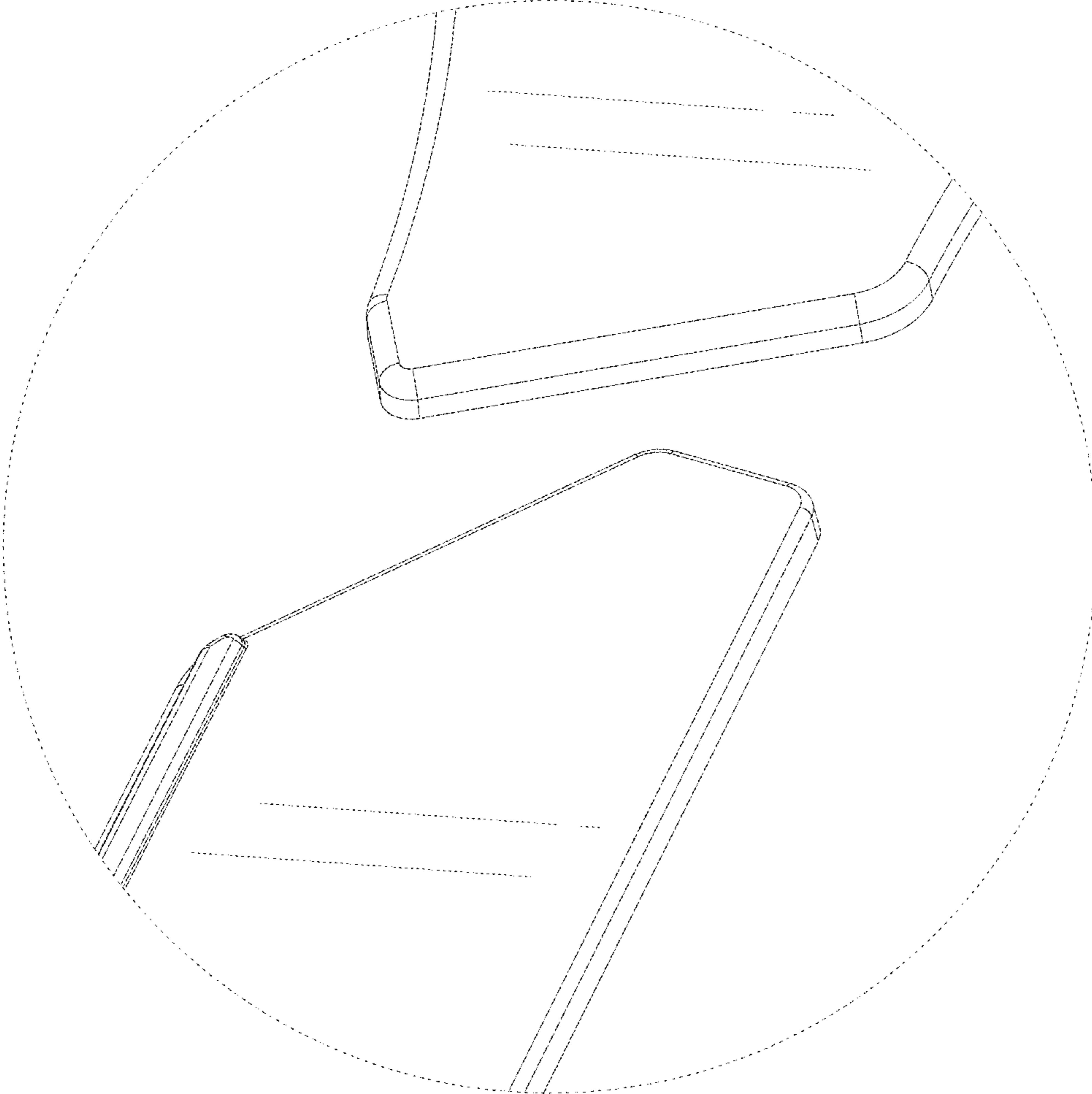


FIG. 9

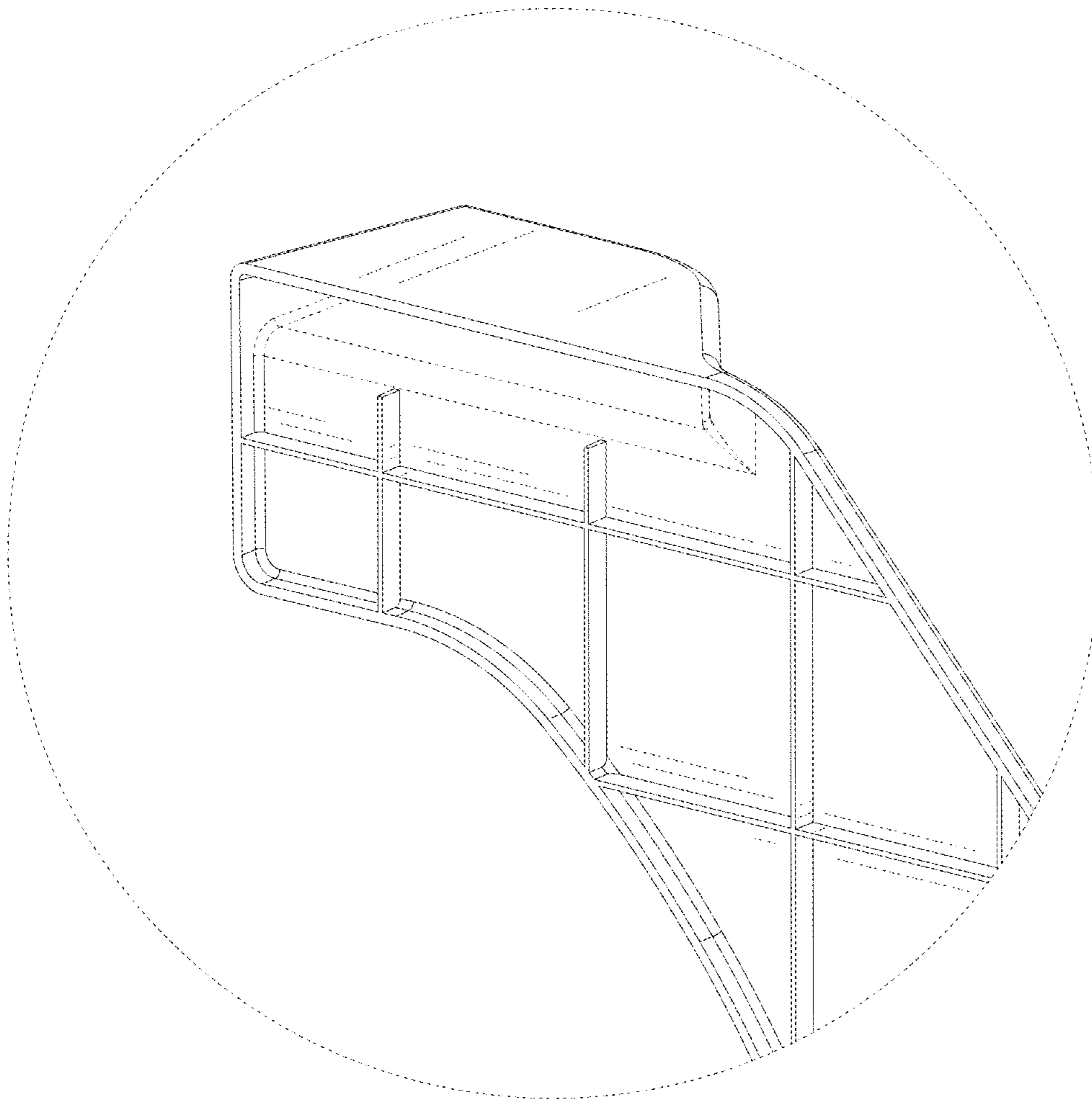


FIG. 10

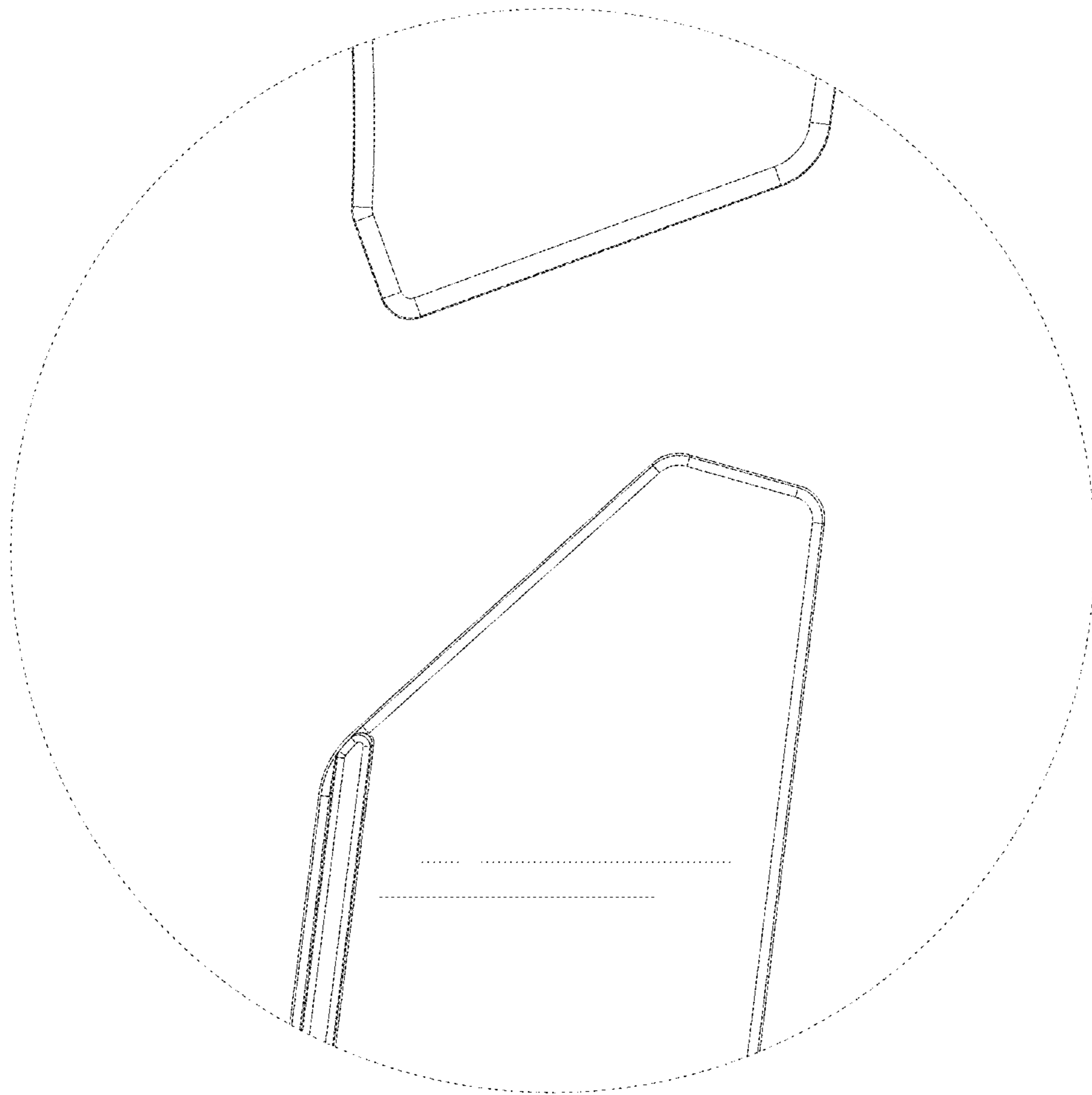


FIG. 11

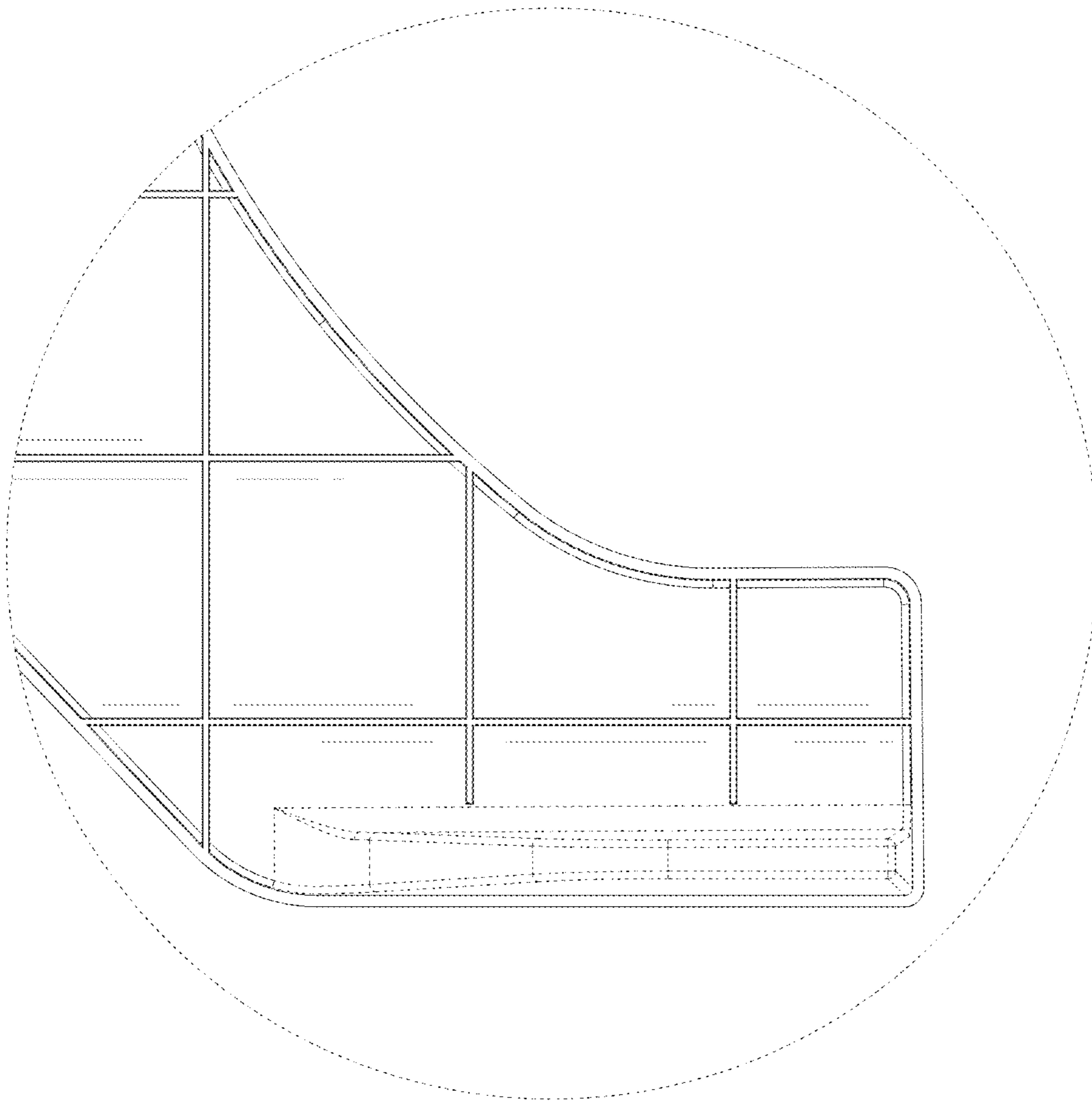


FIG. 12

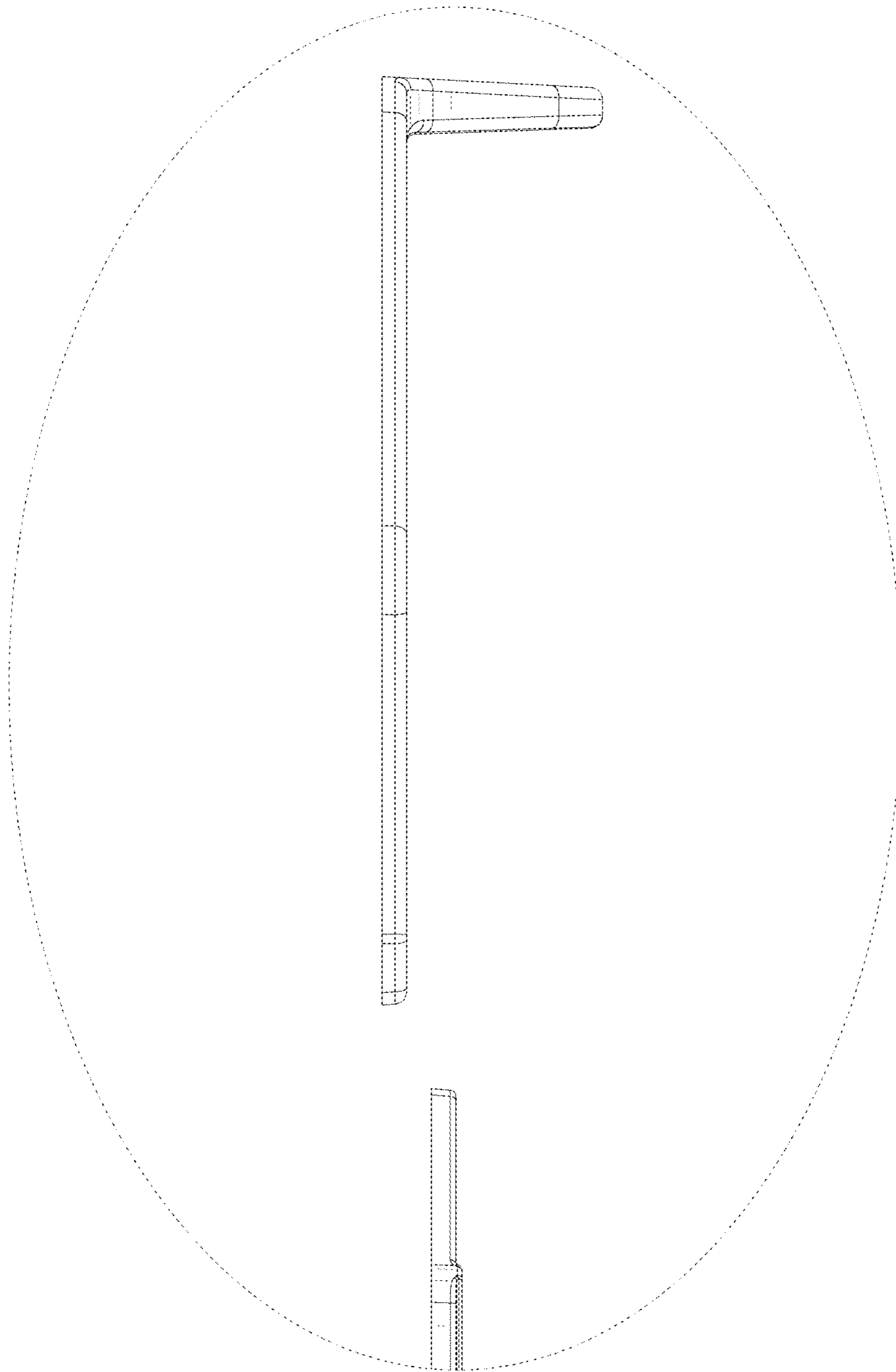


FIG. 13

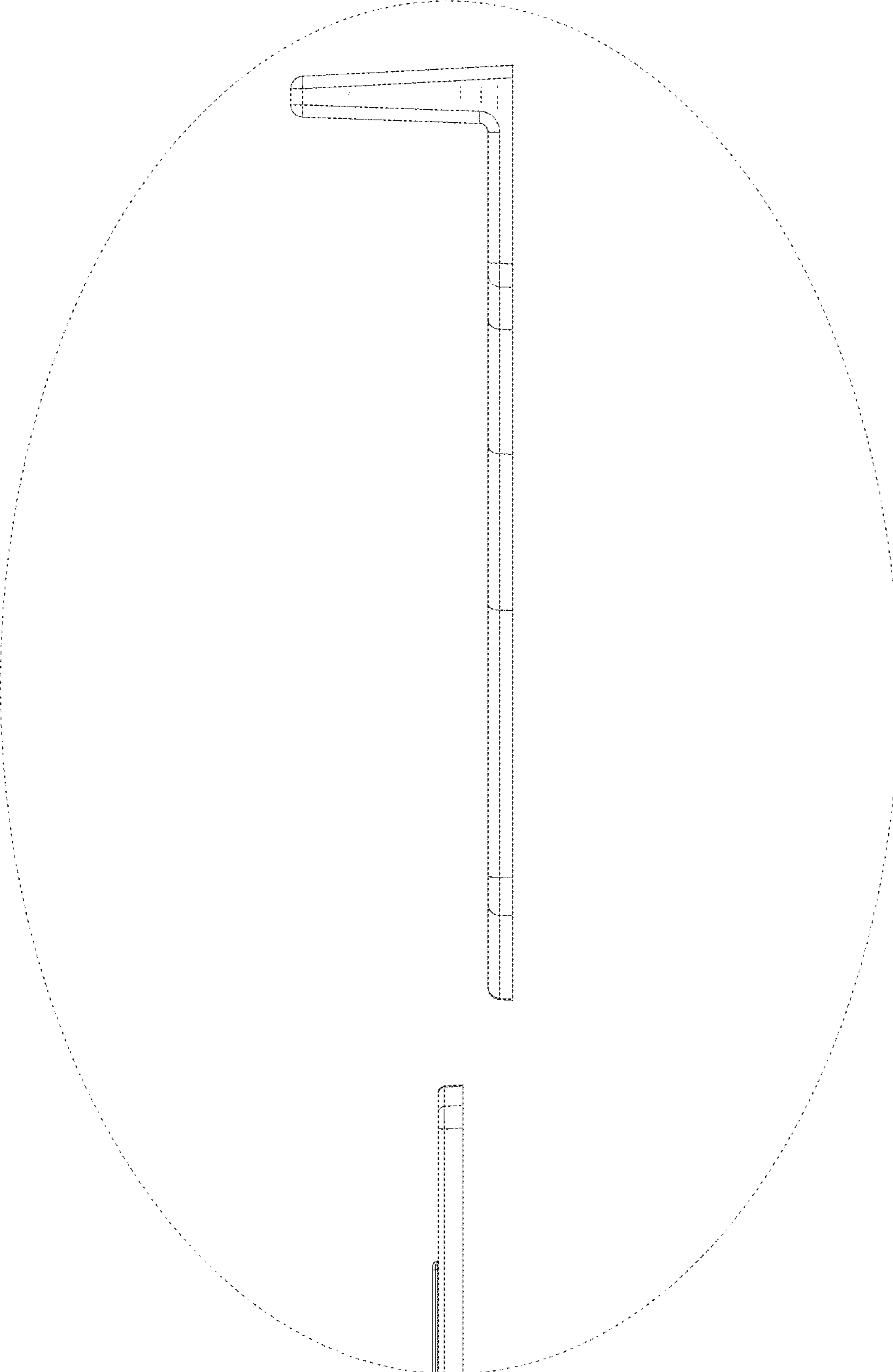


FIG. 14