



US00D974969S

(12) **United States Design Patent**
Yoder et al.

(10) **Patent No.:** **US D974,969 S**
(45) **Date of Patent:** **** Jan. 10, 2023**

(54) **GROOVED GUIDE CAGE**

(71) Applicant: **Warn Automotive, LLC**, Milwaukie, OR (US)

(72) Inventors: **Bryan Yoder**, Corvallis, OR (US);
Evan Placek, Newberg, OR (US);
Adam Reiner, Wilsonville, OR (US);
Erik Whitney, Milwaukie, OR (US);
Anthony Farr, Newberg, OR (US)

(73) Assignee: **Warn Automotive, LLC**, Milwaukie, OR (US)

(**) Term: **15 Years**

(21) Appl. No.: **29/671,975**

(22) Filed: **Nov. 30, 2018**

(51) **LOC (14) Cl.** **12-11**

(52) **U.S. Cl.**
USPC **D12/123**

(58) **Field of Classification Search**
USPC D8/499; D12/122–124, 127, 159–162,
D12/180; D15/1–5, 138, 143, 148, 151;
D13/151; D34/29, 33, 35
CPC B60L 5/005; B60L 53/12; B60L 53/122;
H01F 38/14; H02J 50/12
See application file for complete search history.

(56) **References Cited**

U.S. PATENT DOCUMENTS

D372,192 S *	7/1996	Pigott	D8/499
D471,217 S *	3/2003	Beer	D15/148
D869,529 S *	12/2019	Chang	F16H 55/17
				D15/148
D869,530 S *	12/2019	Chang	D15/148
D881,767 S *	4/2020	Yoder	D12/180
D890,237 S *	7/2020	Yoder	D34/33
D908,756 S *	1/2021	Bos	D15/148

* cited by examiner

Primary Examiner — Michael C Stout
Assistant Examiner — Fritzgerald L Butac
(74) *Attorney, Agent, or Firm* — Fish & Richardson P.C.

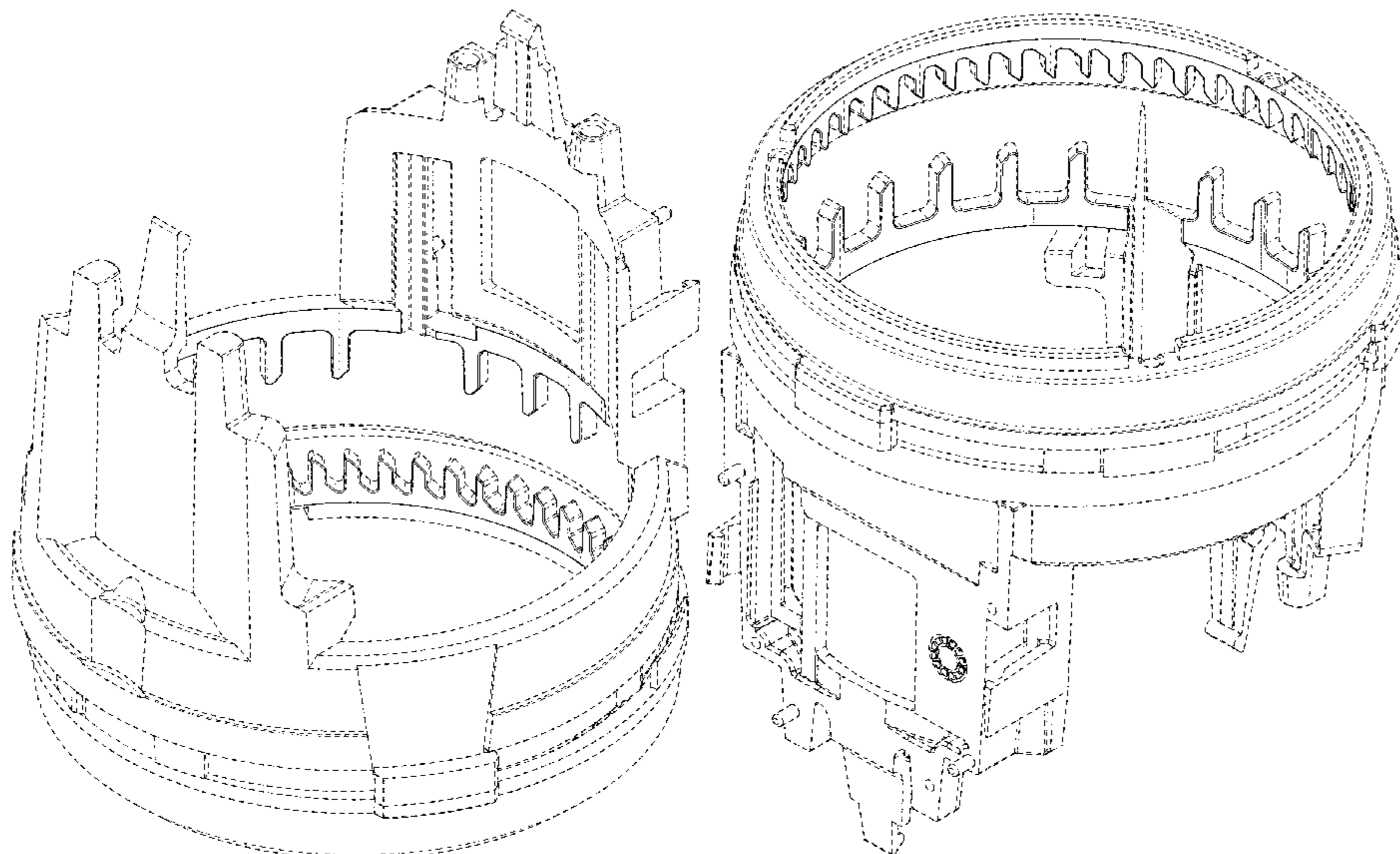
(57) **CLAIM**

The ornamental design for a grooved guide cage, as shown and described.

DESCRIPTION

FIG. 1 is a top-front-left perspective view of a grooved guide cage, according to the present invention;
FIG. 2 is a right side view of the grooved guide cage of FIG. 1.
FIG. 3 is a left side view of the grooved guide cage of FIG. 1.
FIG. 4 is a rear view of the grooved guide cage of FIG. 1.
FIG. 5 is a front view of the grooved guide cage of FIG. 1.
FIG. 6 is a top view of the grooved guide cage of FIG. 1.
FIG. 7 is a bottom view of the grooved guide cage of FIG. 1.
FIG. 8 is a bottom-rear-left perspective view of the grooved guide cage of FIG. 1.
FIG. 9 is a cross-sectional view taken along line 21-21 in FIG. 3.
FIG. 10 is a cross-sectional view taken along line 22-22 in FIG. 2.
FIG. 11 is a cross-sectional view taken along line 23-23 in FIG. 4; and,
FIG. 12 is a cross-sectional view taken along line 24-24 in FIG. 5.
The dash-dash broken lines in FIGS. 1-12 illustrate portions of the grooved guide cage that form no part of the claimed design.
The oblique broken line hatch shading in FIGS. 9-12 illustrates interior structure of the grooved guide cage that forms no part of the claimed design.
The dash-dot-dash broken lines in FIGS. 2-5 form no part of the claimed design.

1 Claim, 12 Drawing Sheets



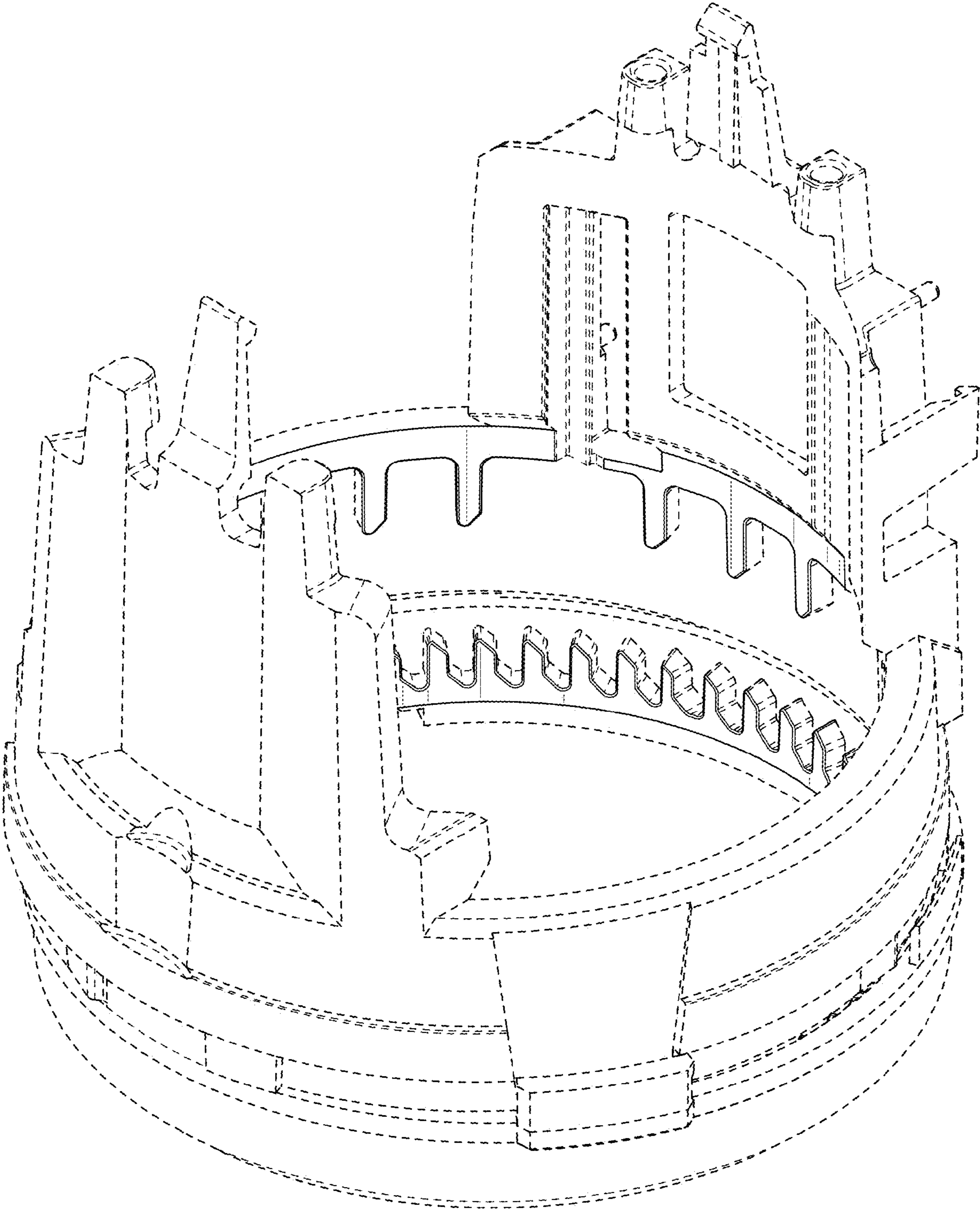


FIG. 1

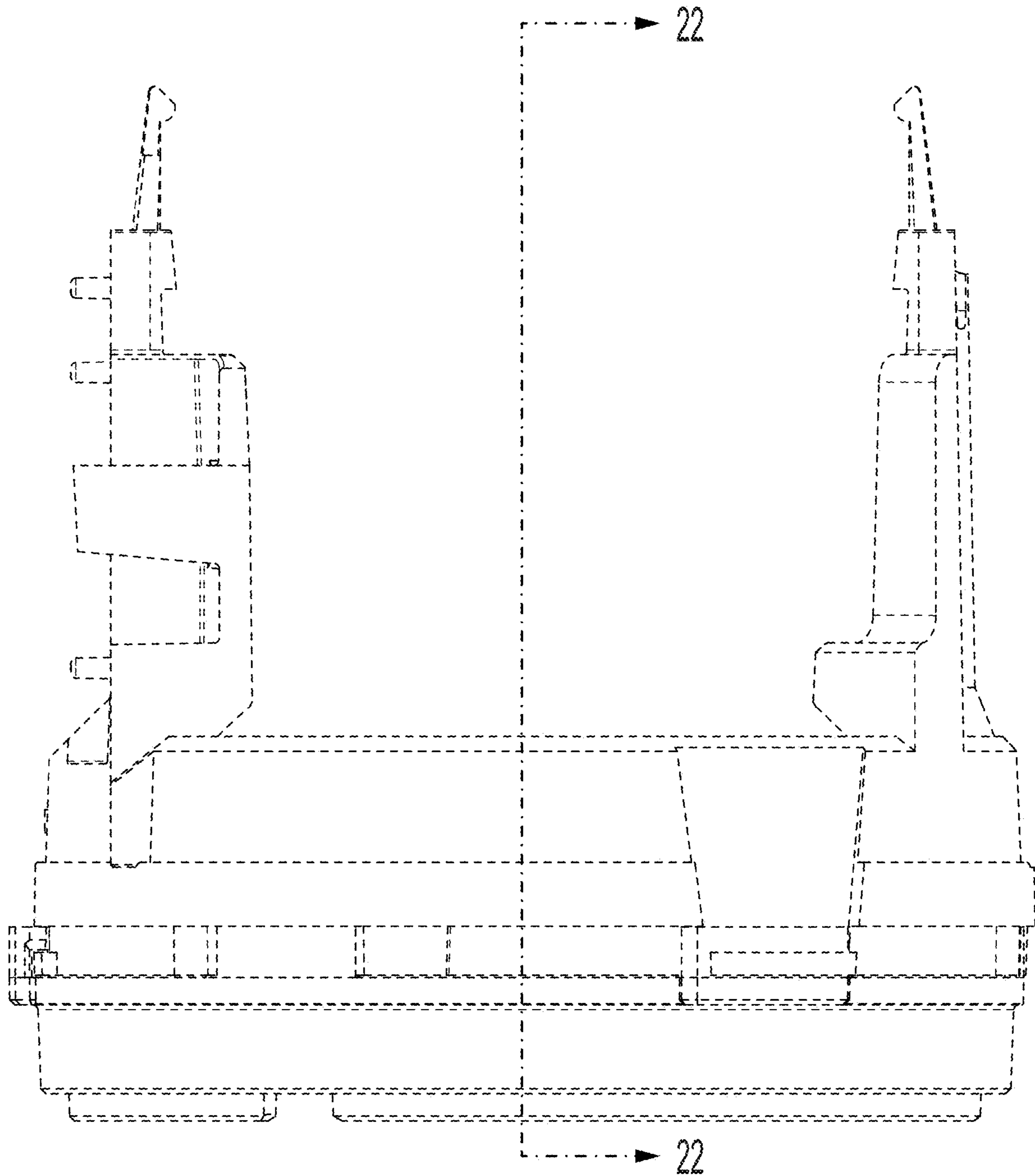


FIG. 2

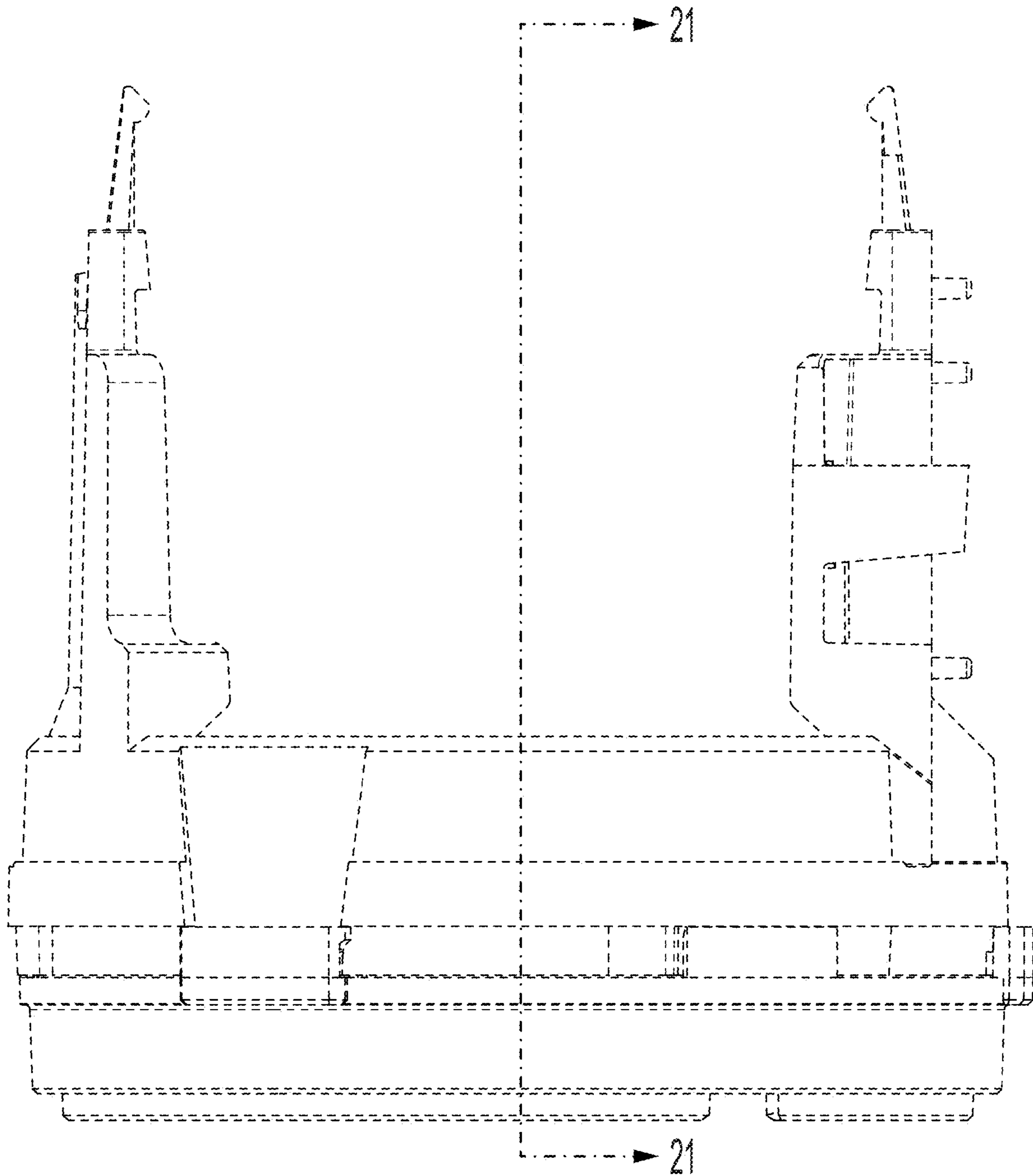


FIG. 3

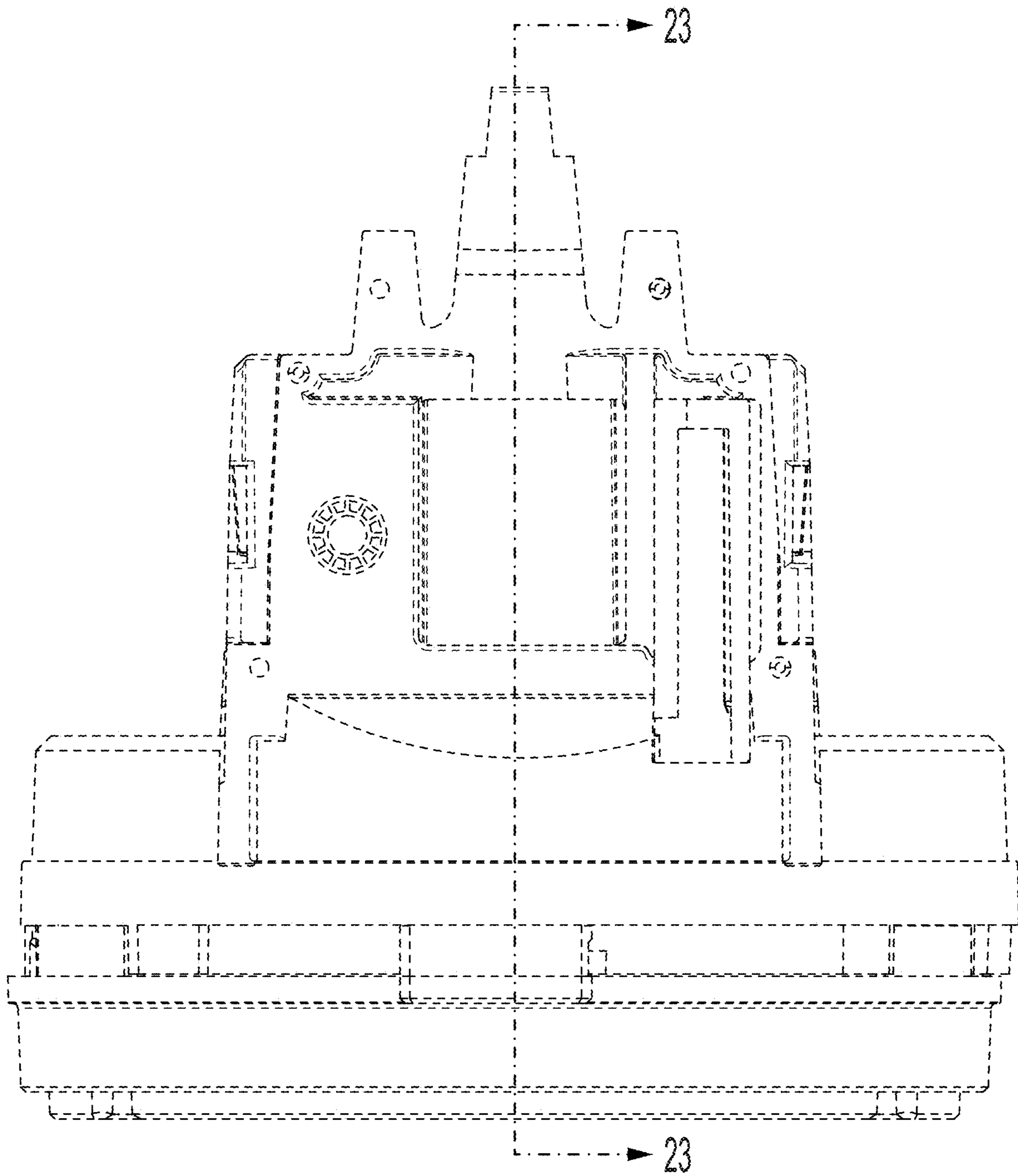


FIG. 4

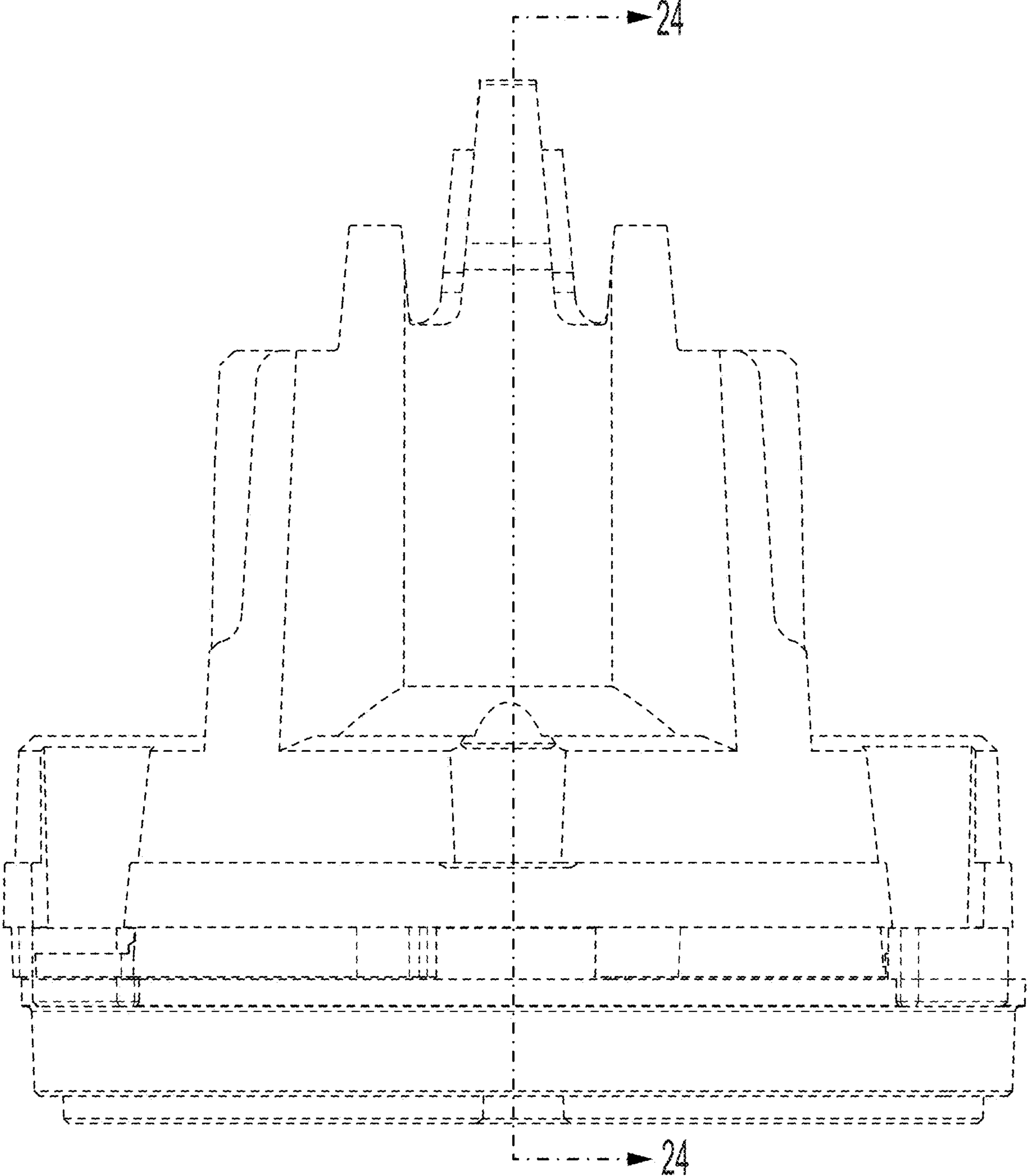


FIG. 5

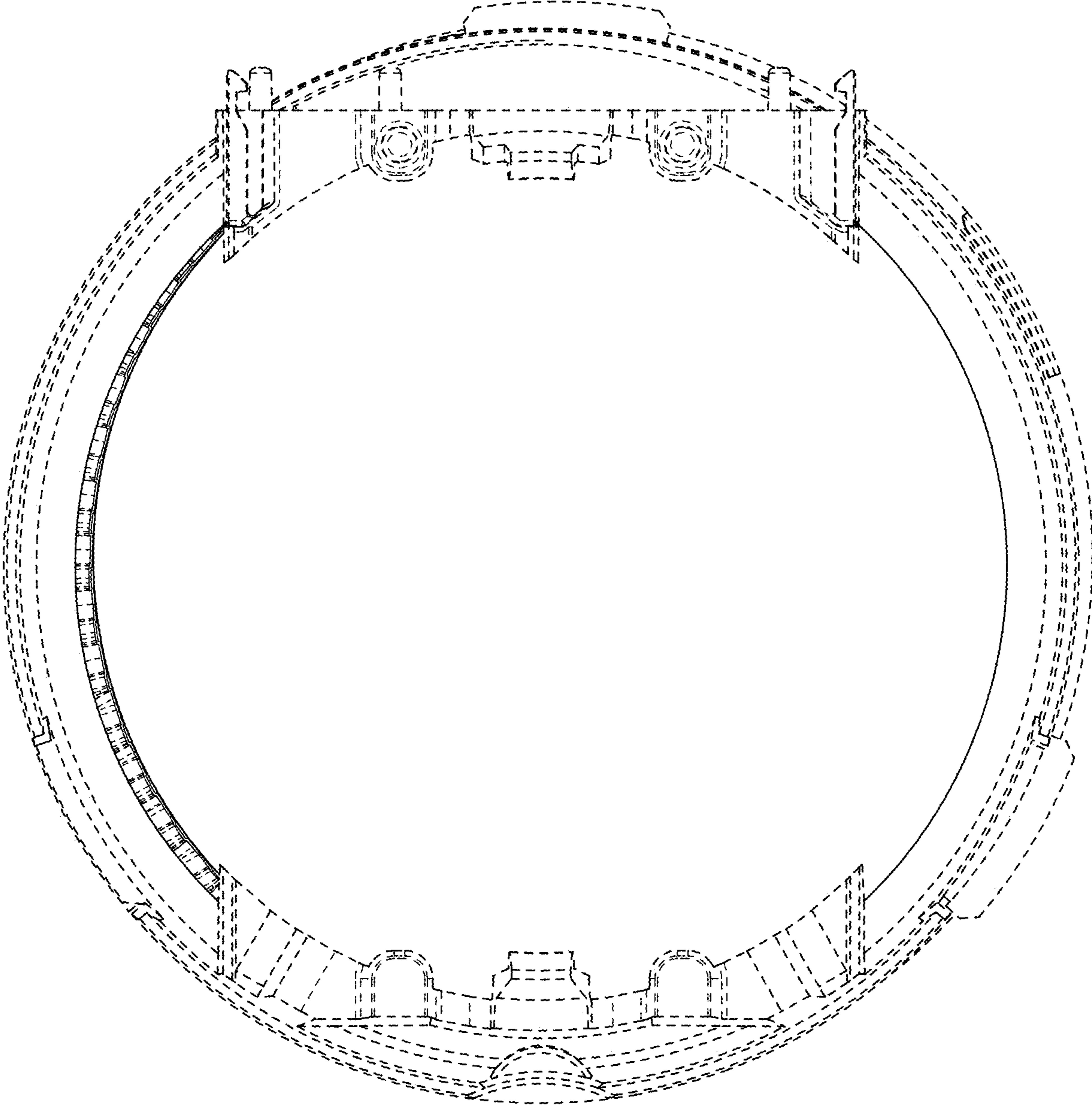


FIG. 6

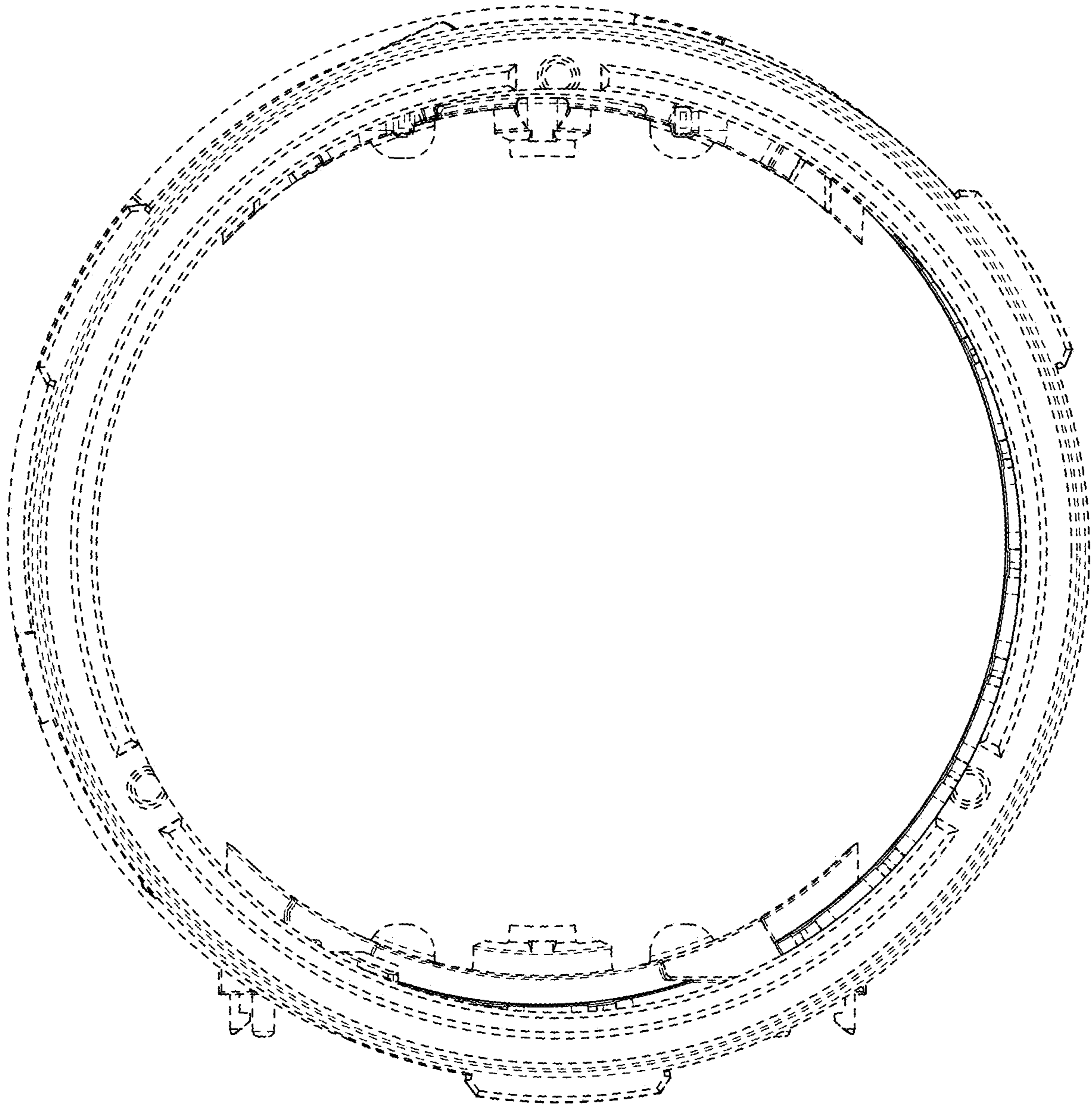


FIG. 7

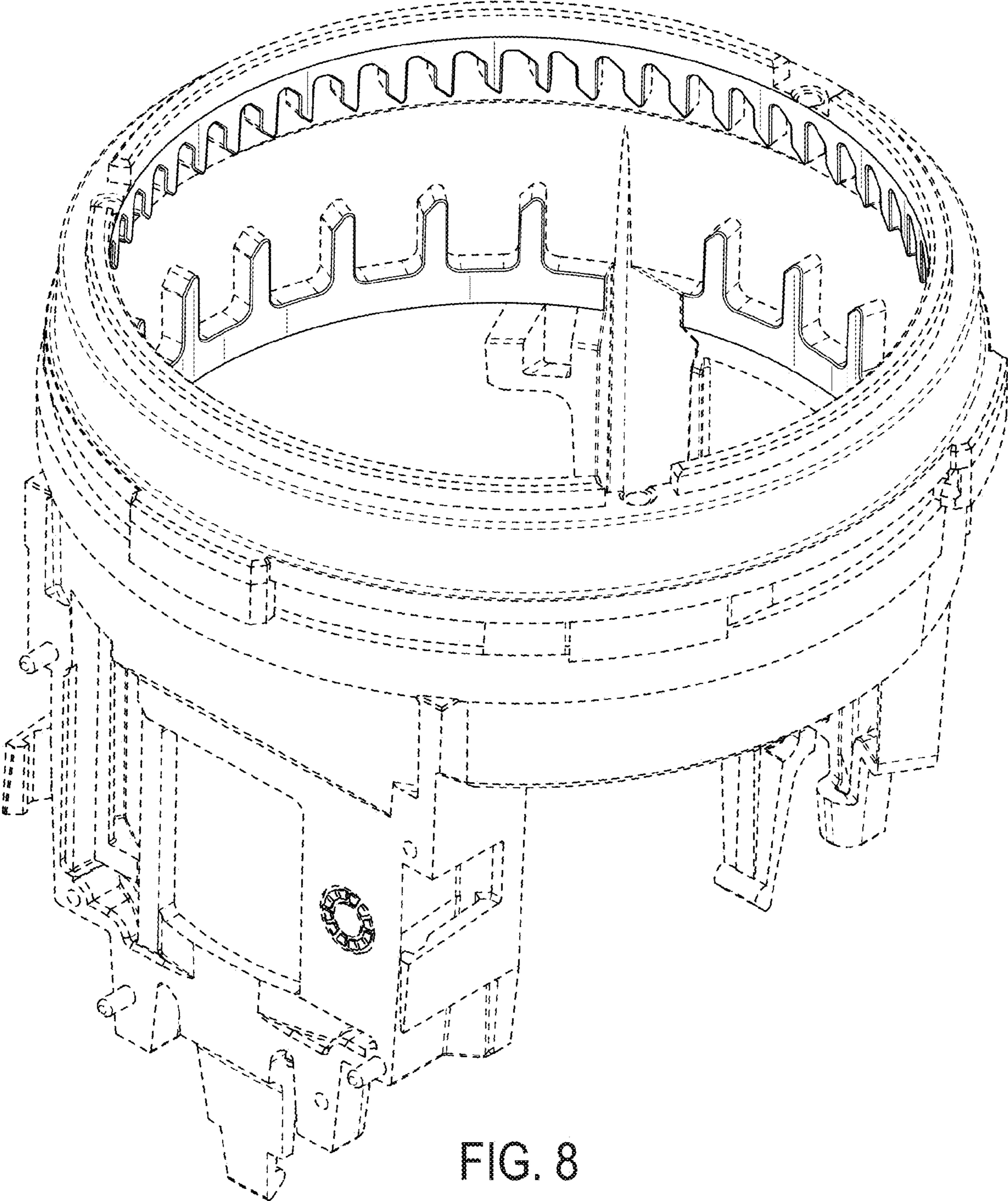


FIG. 8

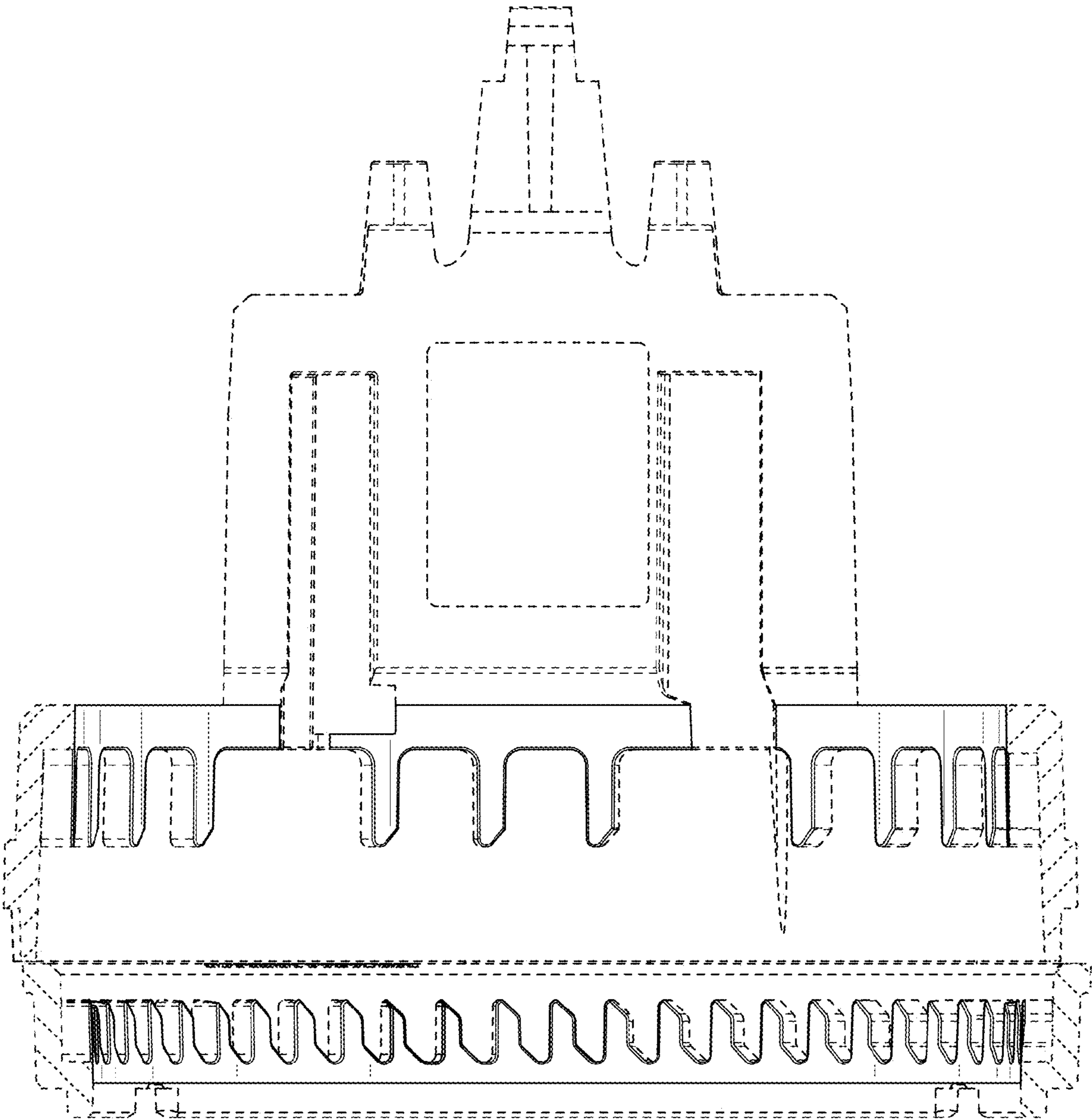


FIG. 9

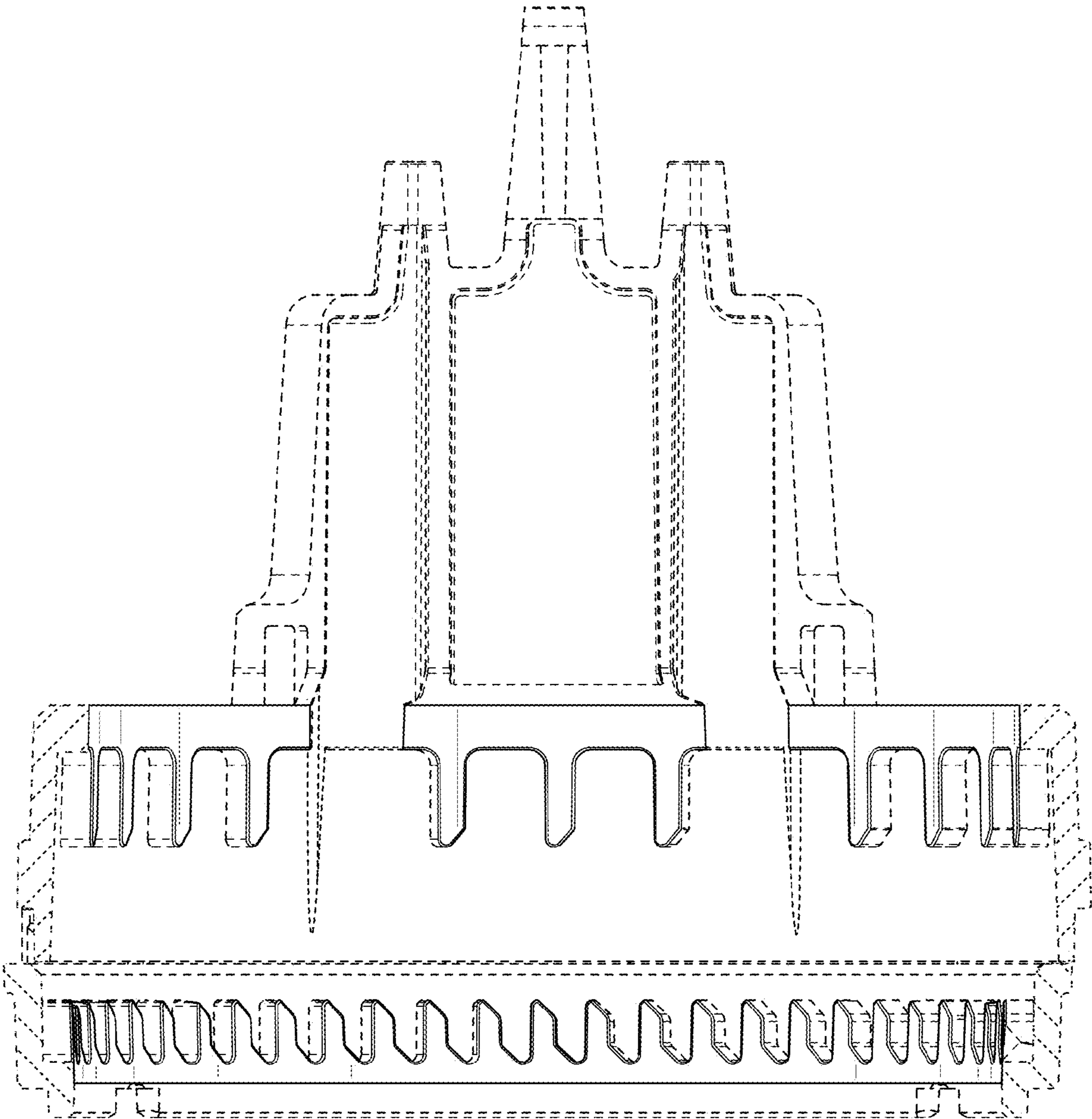


FIG. 10

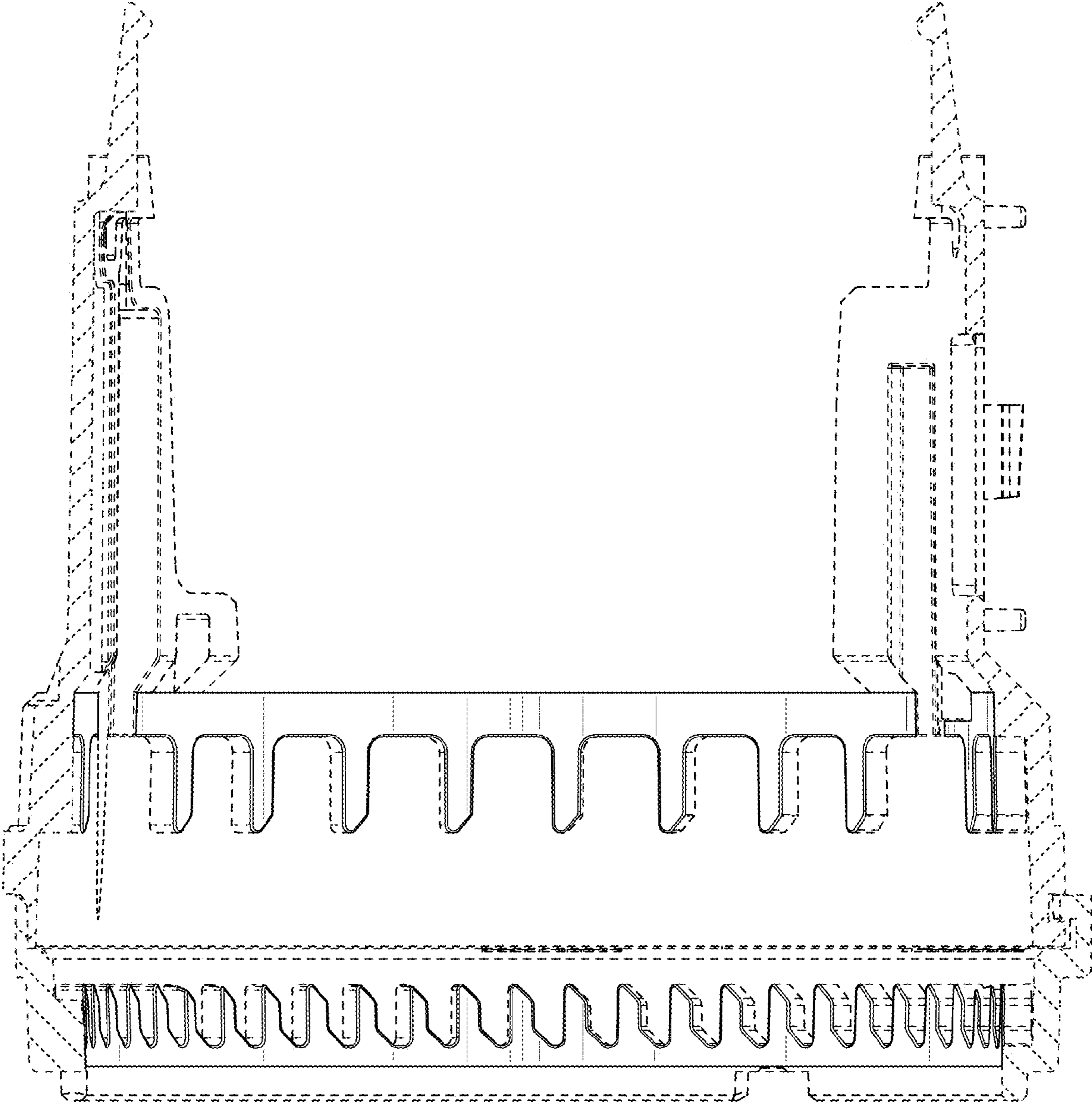


FIG. 11

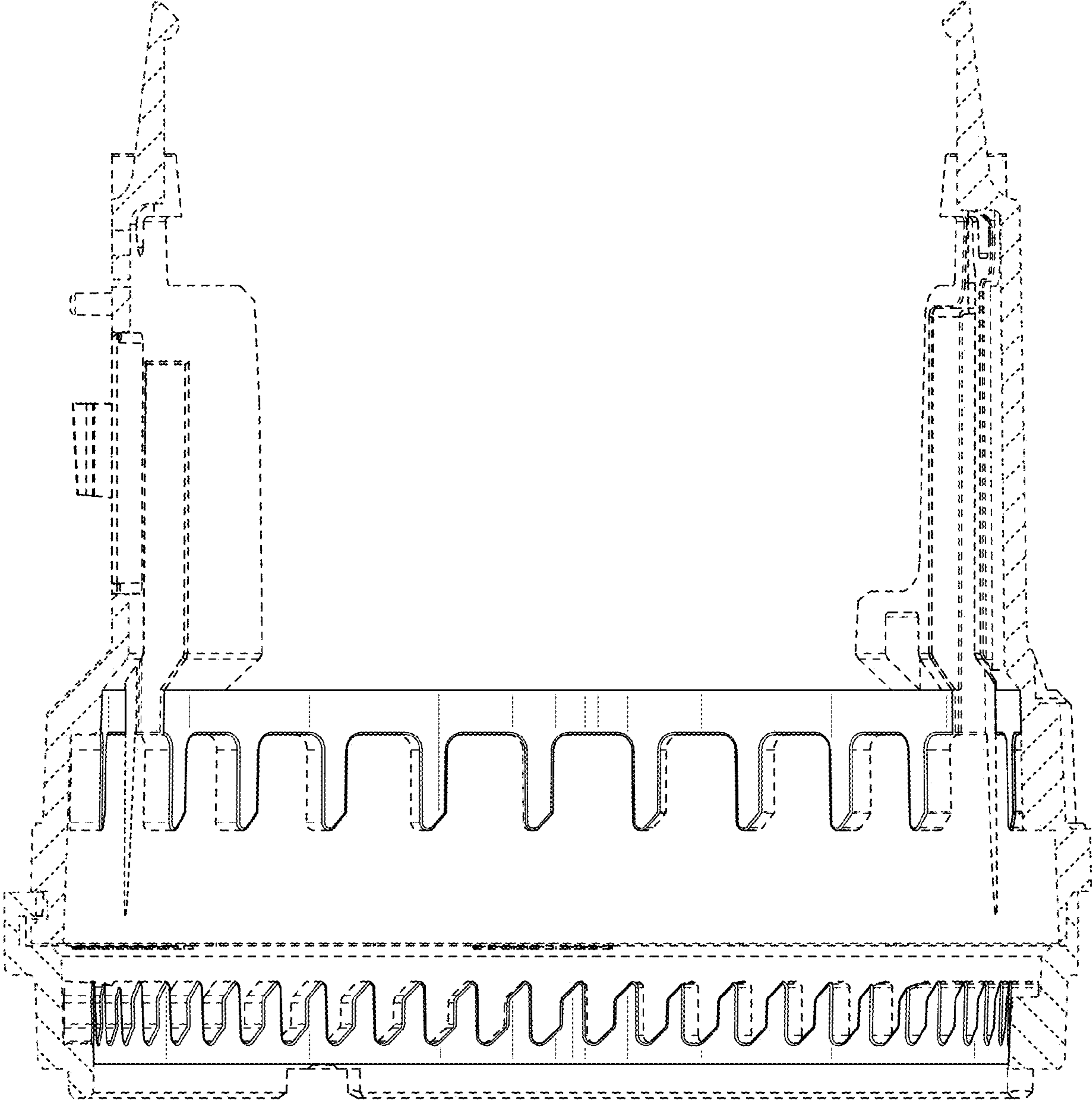


FIG. 12