



US00D974968S

(12) **United States Design Patent**
Chen et al.

(10) **Patent No.:** **US D974,968 S**
(45) **Date of Patent:** **** Jan. 10, 2023**

- (54) **ELECTRIC MOTORCYCLE**
- (71) Applicant: **Zhejiang Moovi Tech Co., Ltd.**,
Zhejiang (CN)
- (72) Inventors: **Yuanzhang Chen**, Zhejiang (CN);
Siwei Li, Zhejiang (CN); **Xiaoming Xia**, Zhejiang (CN)
- (73) Assignee: **ZHEJIANG MOOVI TECH CO., LTD.**, Zhejiang (CN)
- (**) Term: **15 Years**
- (21) Appl. No.: **29/784,196**
- (22) Filed: **May 18, 2021**
- (51) **LOC (14) Cl.** **12-11**
- (52) **U.S. Cl.**
USPC **D12/110**
- (58) **Field of Classification Search**
USPC D12/110, 111, 117; D21/432, 538
CPC B62K 11/00; B62K 11/02; B62K 11/04;
B62K 11/10; B62K 17/00; B62K 19/00;
B62K 2202/00
See application file for complete search history.

D958,701 S *	7/2022	Tsuji	D12/110
11,453,457 B2 *	9/2022	Kugele	B62J 1/08
2013/0081894 A1 *	4/2013	Ishikawa	B62M 7/04
			180/220
2014/0305729 A1 *	10/2014	Testoni	B62J 43/16
			180/220
2014/0367184 A1 *	12/2014	Matsuda	B60L 50/51
			180/220
2015/0122568 A1 *	5/2015	Eguchi	B62K 11/04
			180/220

(Continued)

OTHER PUBLICATIONS

“2020 Model Information—Kawasaki KLX230.” Kawasaki., Apr. 25, 2019 [online], [retrieved on Sep. 27, 2022]. Retrieved from the Internet <URL: https://kawasaki.co.nz/wp-content/uploads/2019/06/20_KLX230_Model-Information.pdf>.*

(Continued)

Primary Examiner — Darlington Ly

(74) *Attorney, Agent, or Firm* — Muncy, Geissler, Olds & Lowe, P.C.

(57) **CLAIM**

The ornamental design for an electric motorcycle, as shown and described.

DESCRIPTION

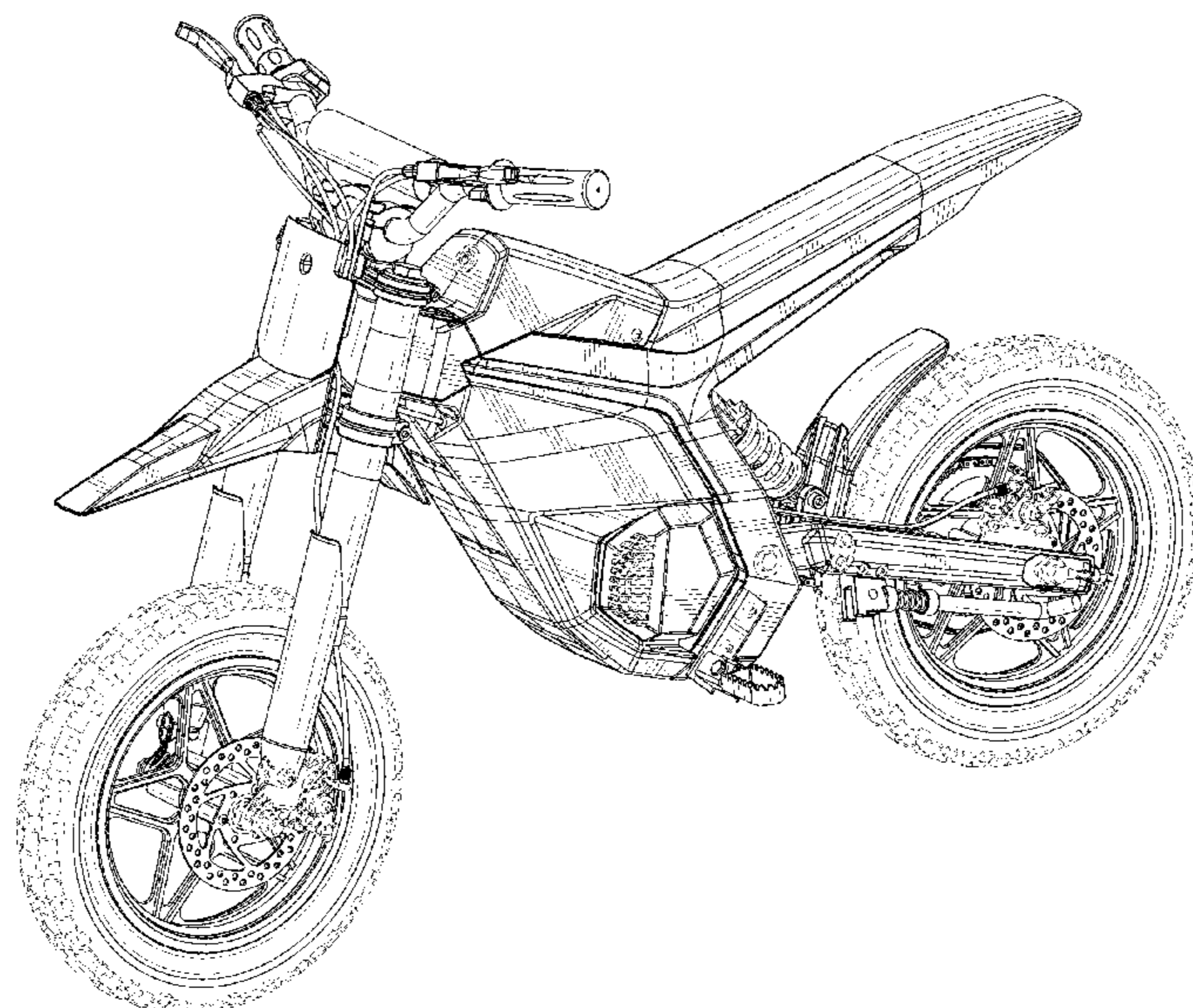
FIG. 1 is a front and left side perspective view of an electric motorcycle embodying our new design; FIG. 2 is a rear and right side perspective view thereof; FIG. 3 is a left side elevation view thereof; FIG. 4 is a right side elevation view thereof; FIG. 5 is a front elevation view thereof; FIG. 6 is a rear elevation view thereof; FIG. 7 is a top plan view thereof; and, FIG. 8 is a bottom plan view thereof. The broken lines illustrate portions of the electric motorcycle which form no part of the claimed design.

1 Claim, 8 Drawing Sheets

(56) **References Cited**

U.S. PATENT DOCUMENTS

D724,496 S *	3/2015	Takeda	D12/110
D864,794 S *	10/2019	Waters	D12/110
D864,795 S *	10/2019	Waters	D12/110
D875,614 S *	2/2020	Akita	D12/110
D885,983 S *	6/2020	Ytterborn	D12/110
D890,033 S *	7/2020	Carducci	D12/110
D907,534 S *	1/2021	Ying	D12/110
D908,540 S *	1/2021	Akita	D12/110
D933,535 S *	10/2021	Petersson	D12/110
D933,536 S *	10/2021	Petersson	D12/110
D940,599 S *	1/2022	Chambers	D12/110
D950,422 S *	5/2022	Sondors	D12/110
D956,630 S *	7/2022	Ito	D12/110



(56)

References Cited

U.S. PATENT DOCUMENTS

2018/0127055 A1* 5/2018 Ranalli B60K 7/0007
2020/0172196 A1* 6/2020 Futamata B62K 19/30
2021/0354774 A1* 11/2021 Kugele B62K 11/04

OTHER PUBLICATIONS

“2018 MX Bike Buyer’s Guide.” Dirt Bike Magazine., Jan. 2, 2018 [online], [retrieved on Sep. 27, 2022]. Retrieved from the Internet <URL: <https://dirtbikemagazine.com/2018-mx-bike-buyers-guide/>>.*

“DB10SA.” Tao Tao Motor., Oct. 20, 2020 [online], [retrieved on Sep. 27, 2022]. Retrieved from the Internet <URL: <http://www.taotaomotor.com/product/db10sa/>>.*

* cited by examiner

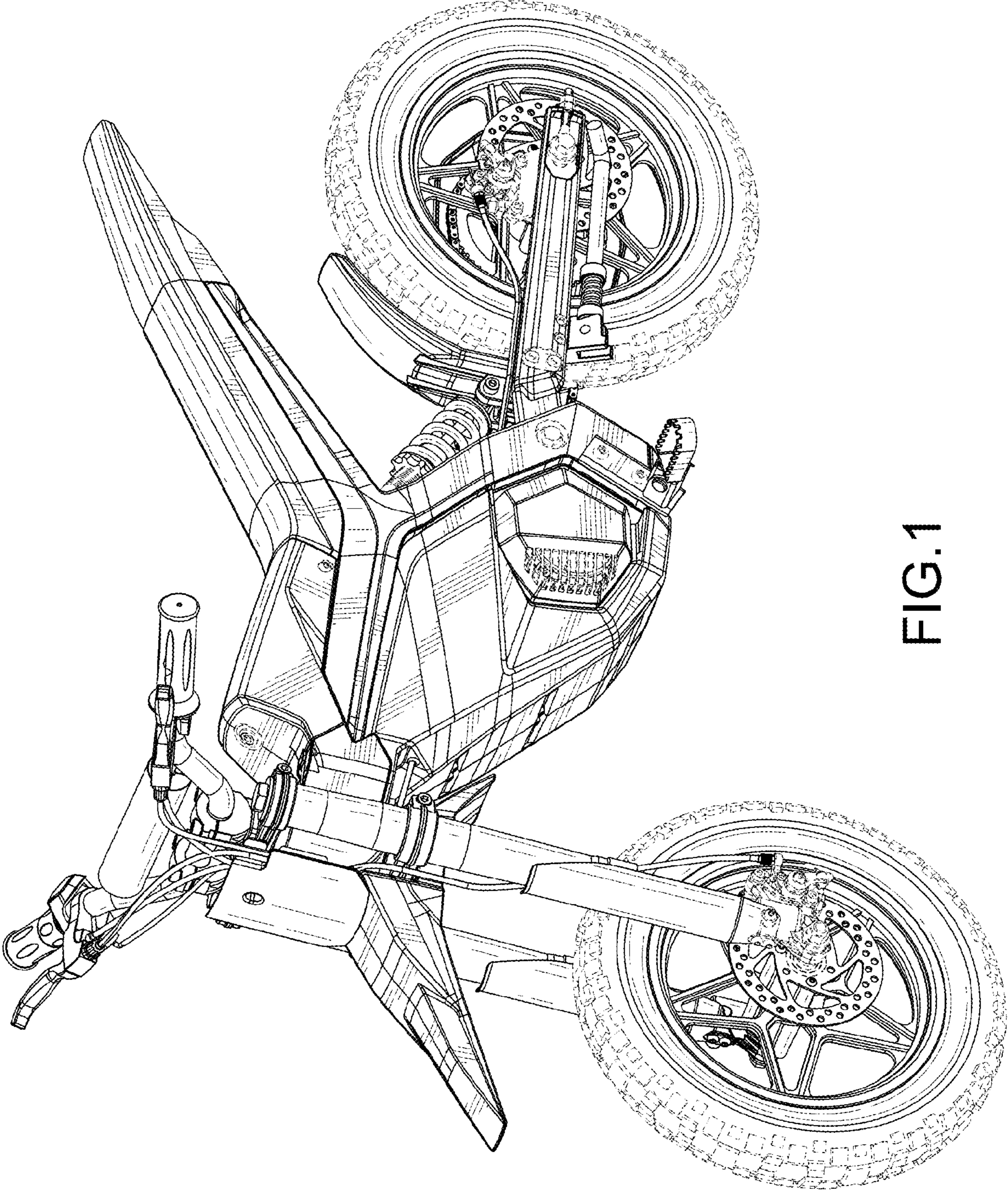


FIG.1

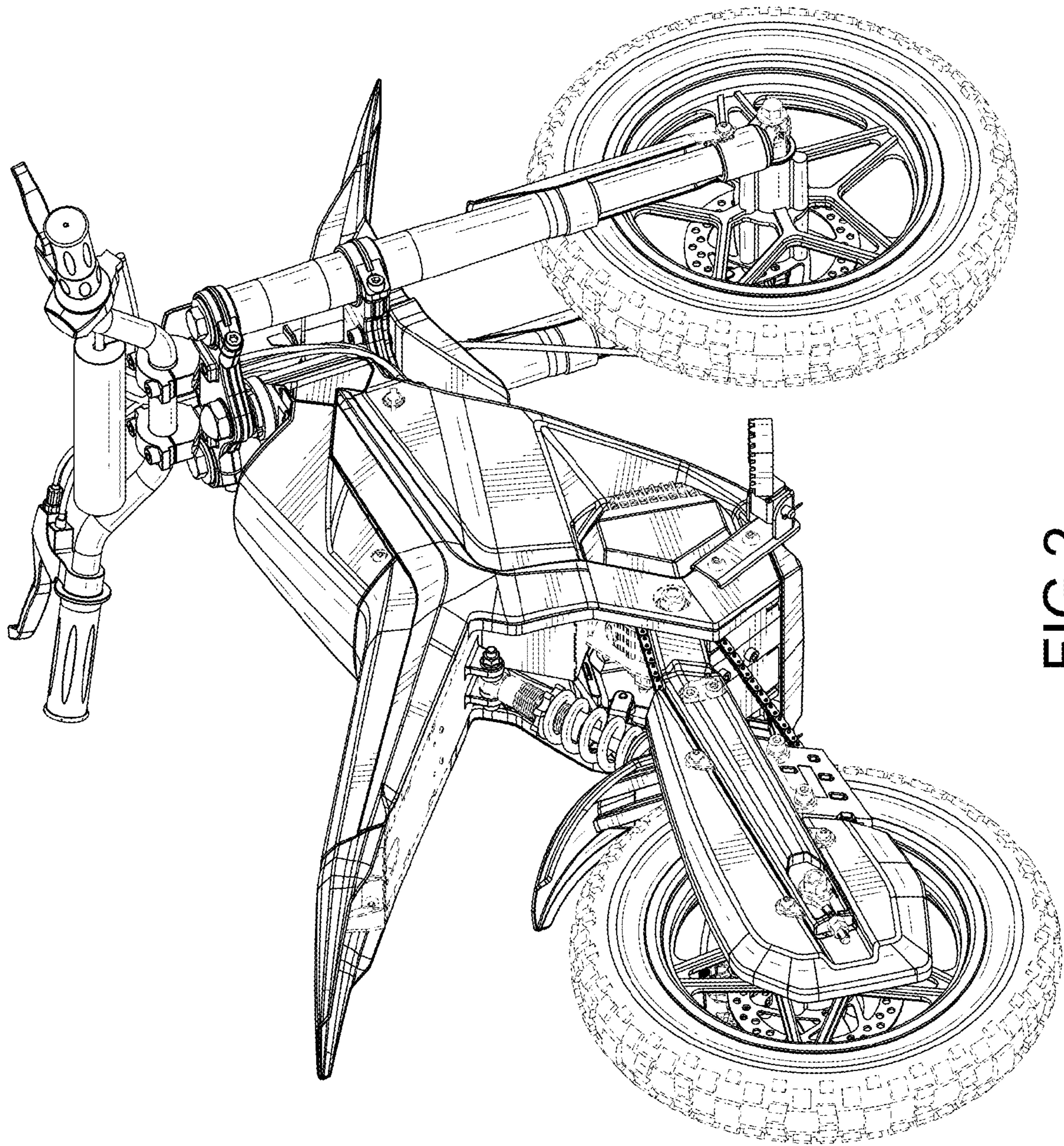


FIG.2

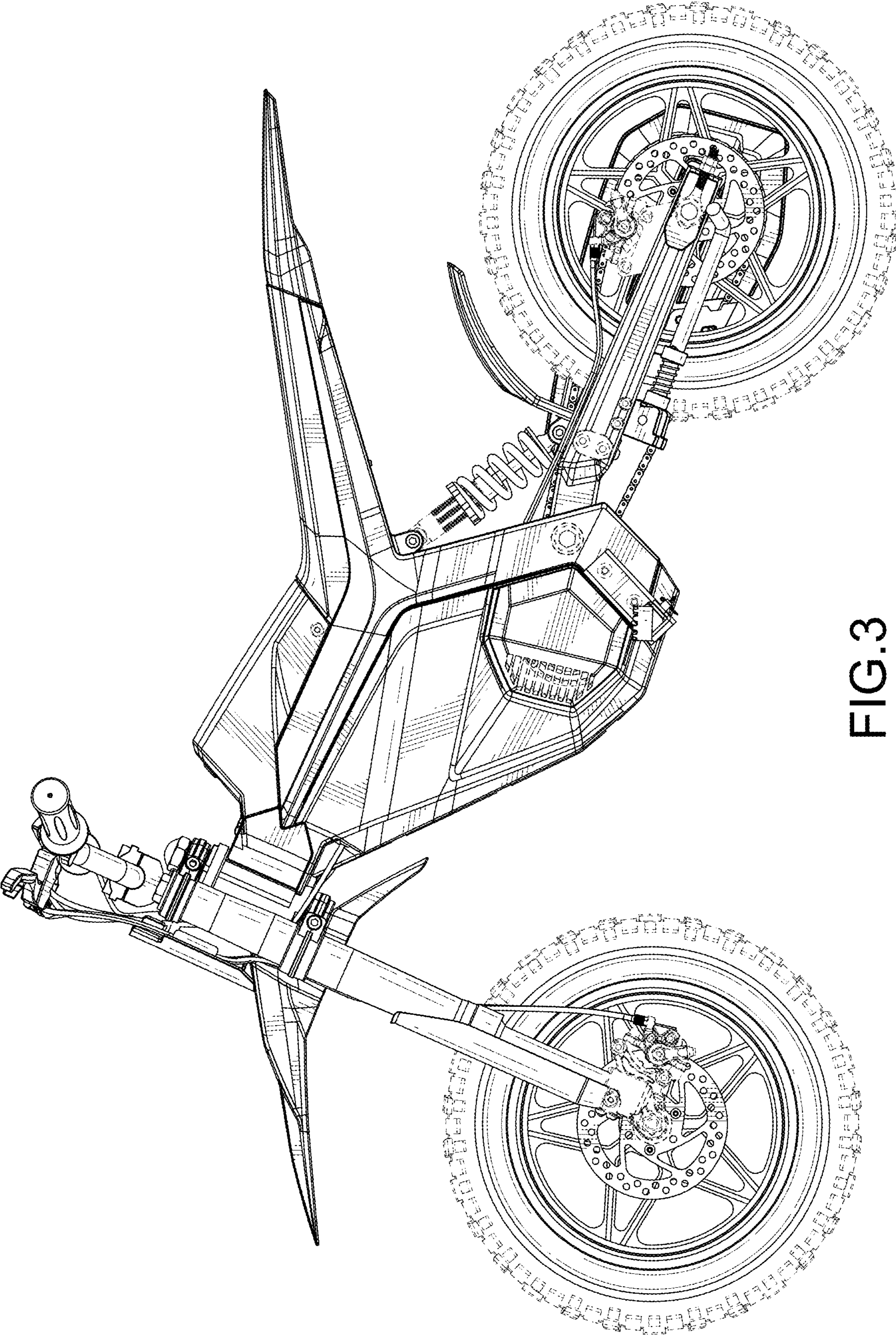


FIG.3

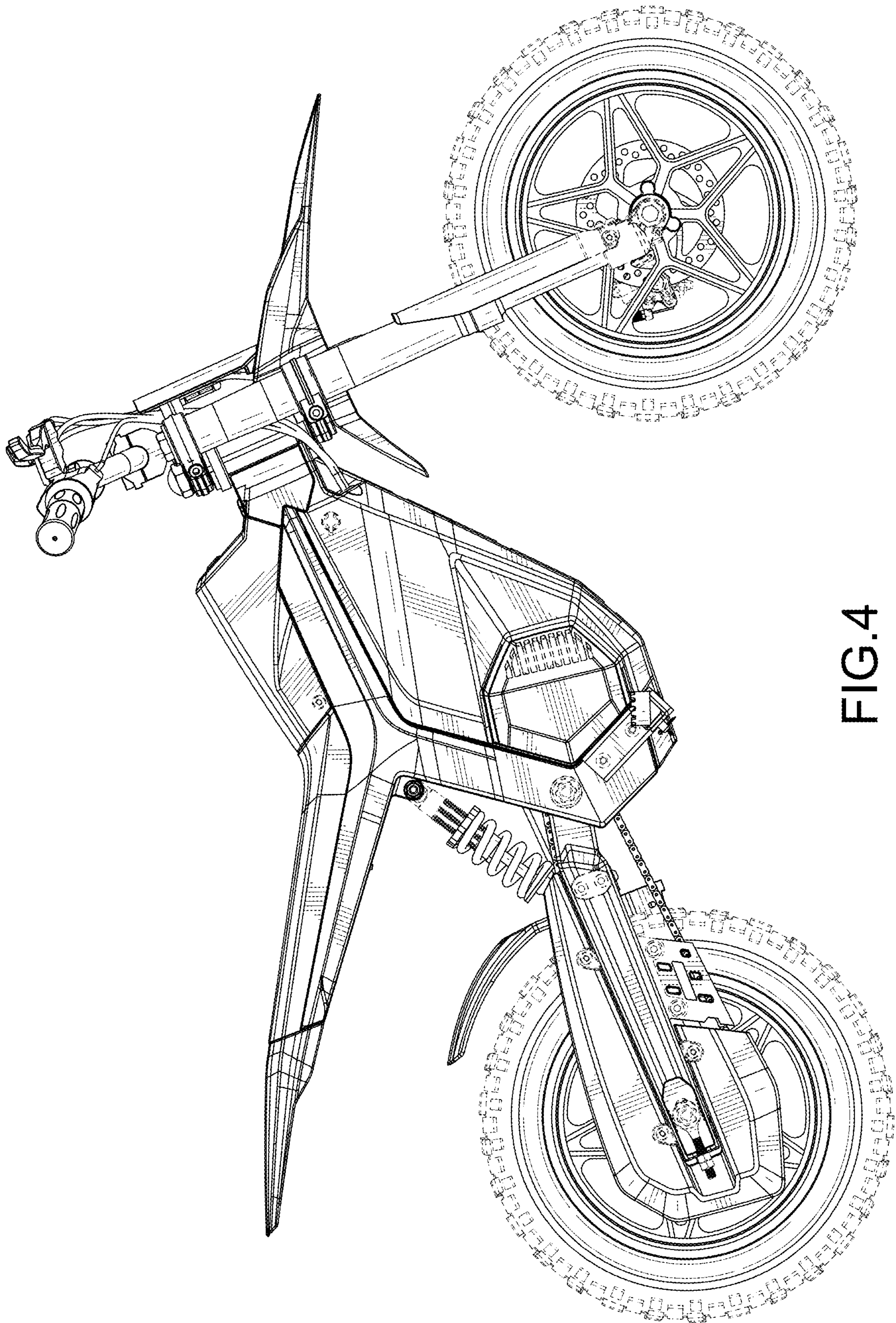


FIG.4

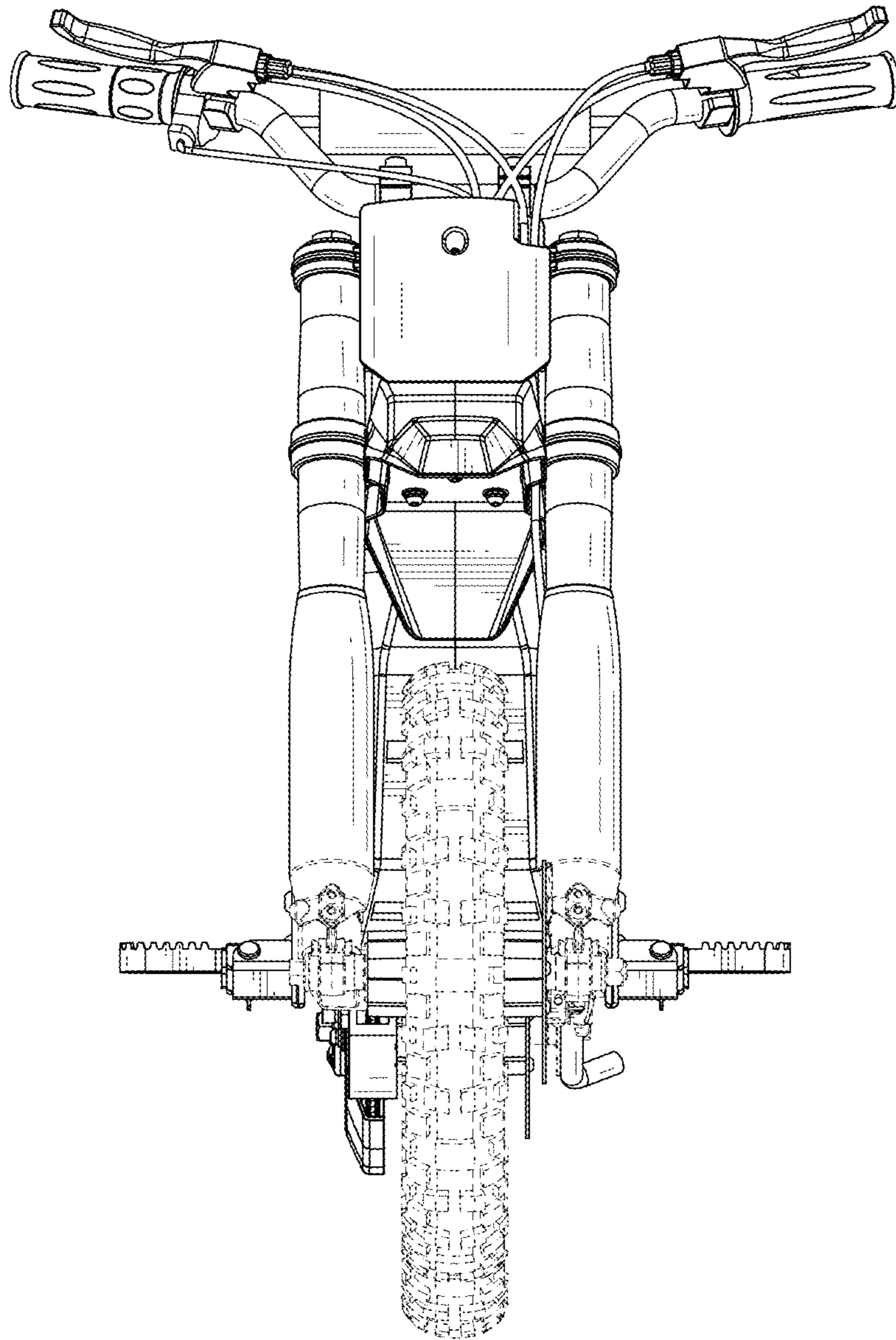


FIG.5

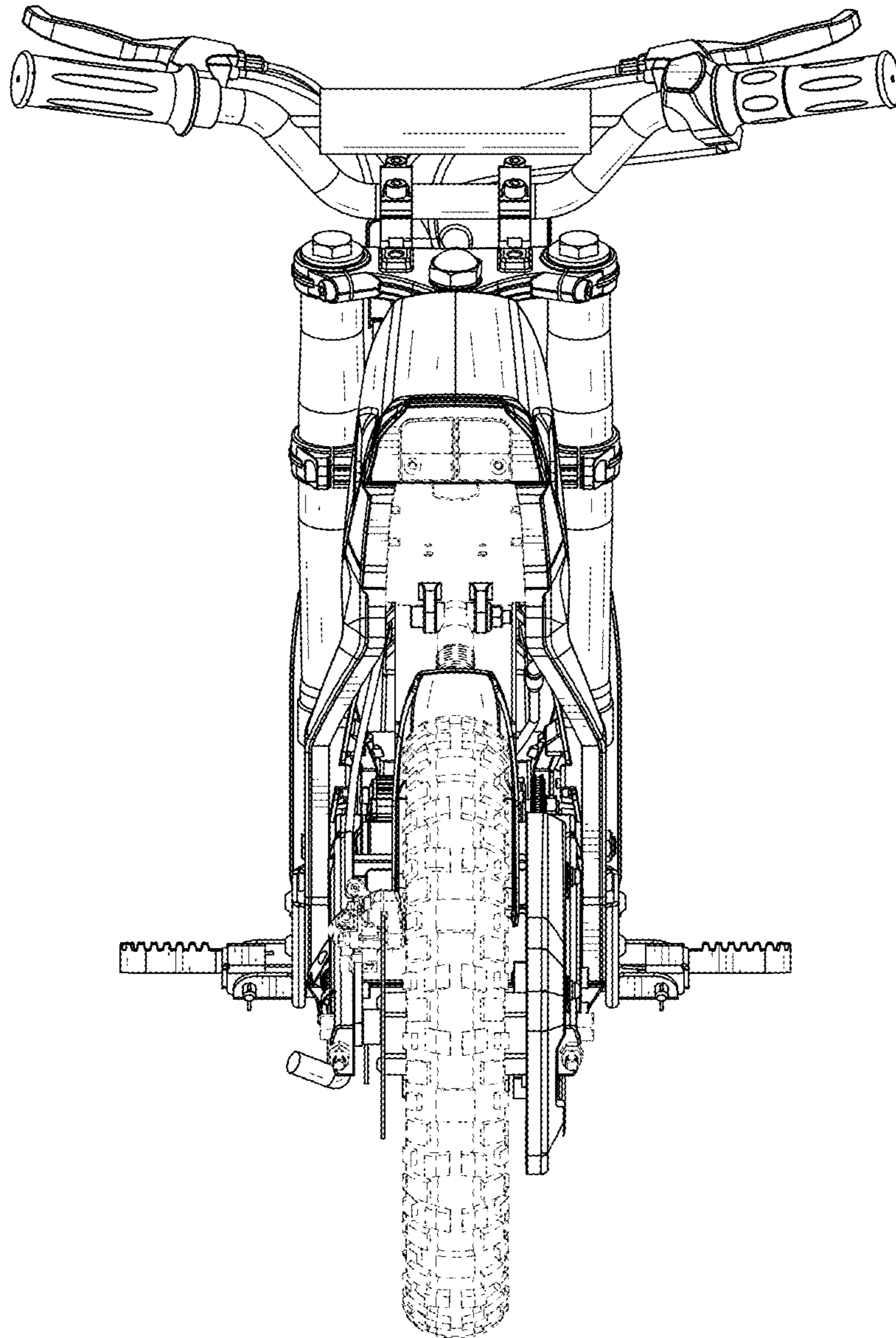


FIG.6

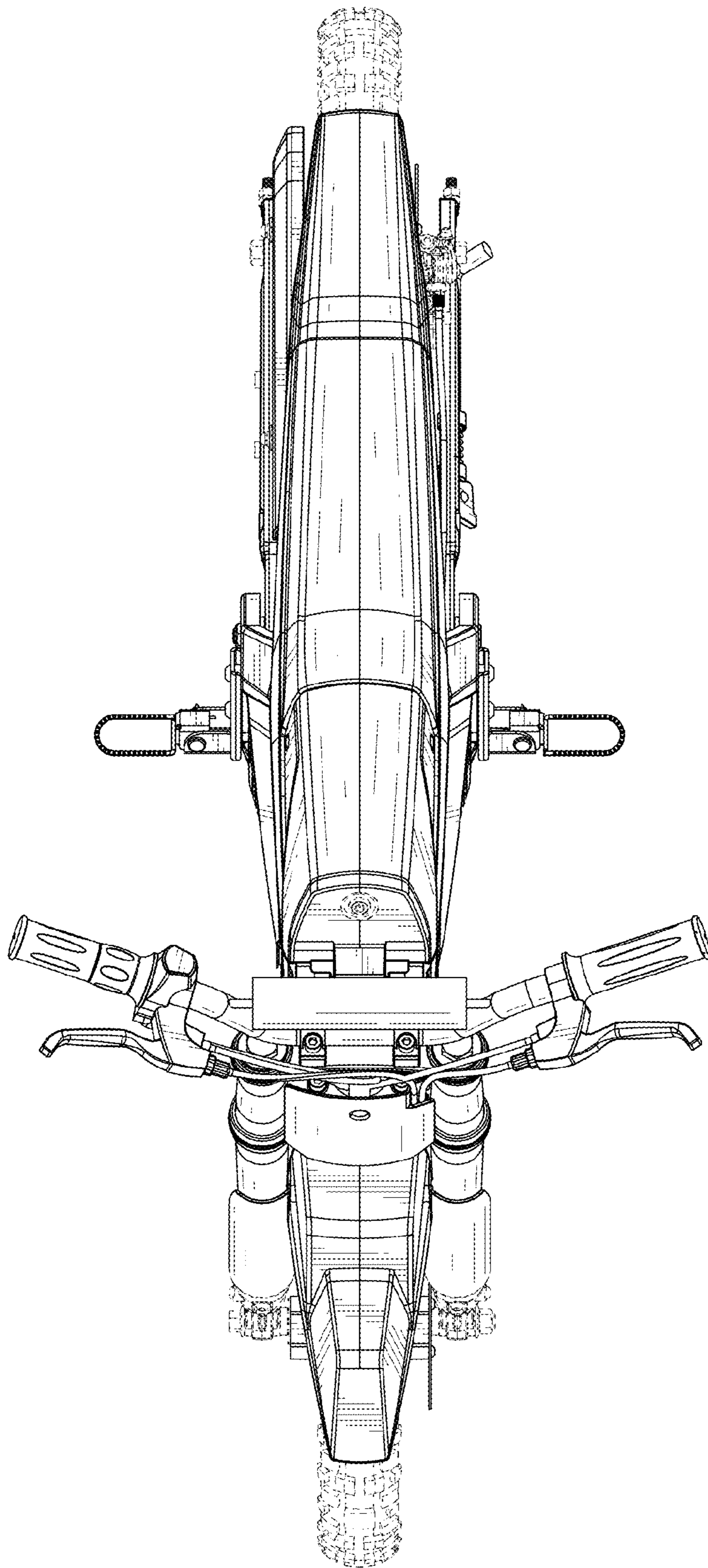


FIG.7

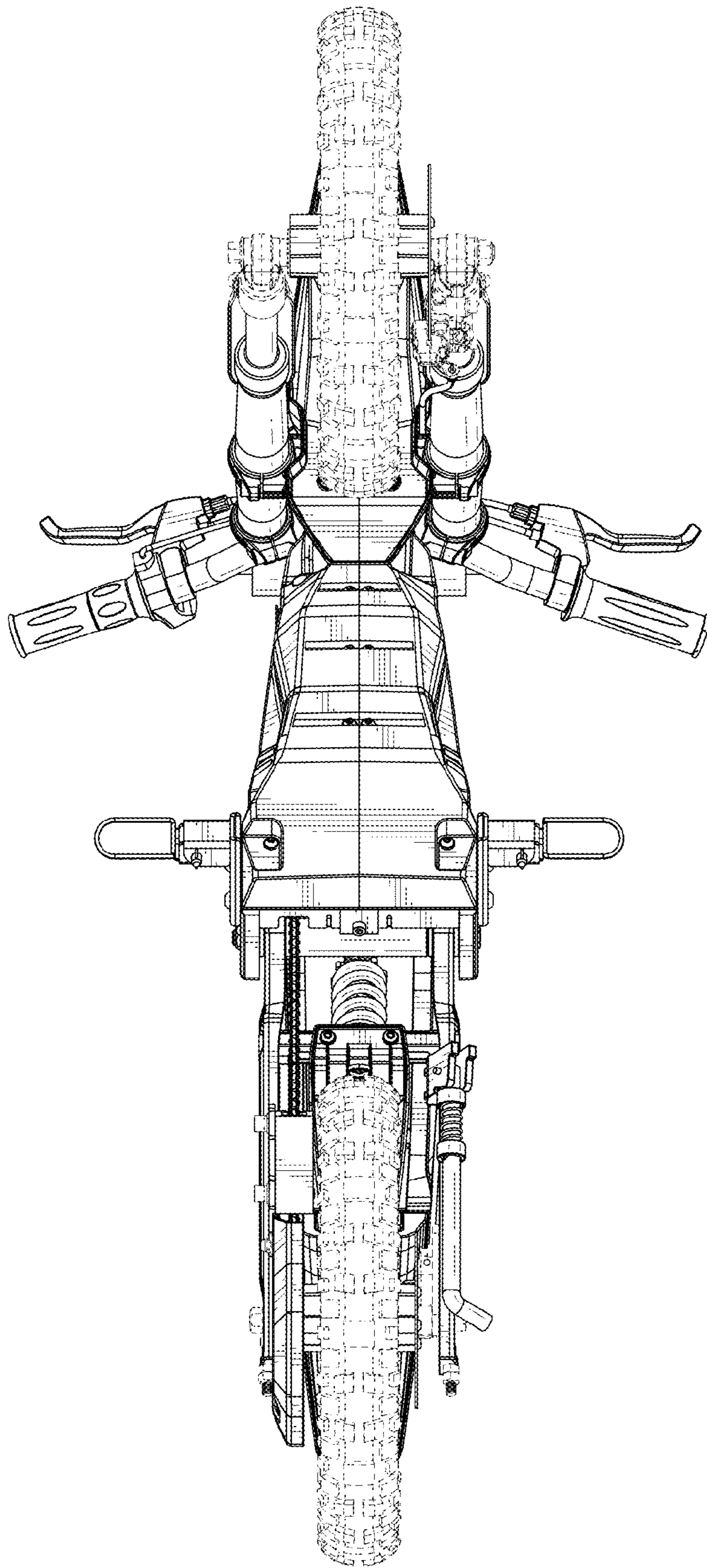


FIG.8