



US00D974966S

(12) **United States Design Patent**
Sjoholm

(10) **Patent No.:** **US D974,966 S**
(45) **Date of Patent:** **** Jan. 10, 2023**

- (54) **VEHICLE**
- (71) Applicant: **Einride AB**, Stockholm (SE)
- (72) Inventor: **Daniel Sjoholm**, Hoor (SE)
- (73) Assignee: **EINRIDE AB**, Stockholm (SE)
- (**) Term: **15 Years**
- (21) Appl. No.: **29/805,726**
- (22) Filed: **Aug. 30, 2021**

D384,317 S 9/1997 Jahnke
 D414,150 S 9/1999 Sutton et al.
 6,286,964 B1 9/2001 Litmer
 (Continued)

OTHER PUBLICATIONS

Semi Trucks. (Design—© Questel) orbit.com. [Online PDF compilation of references] 36 pgs. Print Dates Range Jun. 30, 2016-Jul. 22, 1996 [Retrieved Jan. 6, 2022].*
 (Continued)

Primary Examiner — George D. Kirschbaum
Assistant Examiner — Suzanne E Tisdell
 (74) *Attorney, Agent, or Firm* — Harness, Dickey & Pierce, P.L.C.

Related U.S. Application Data

- (62) Division of application No. 29/718,861, filed on Dec. 30, 2019, now Pat. No. Des. 931,174, which is a division of application No. 29/621,033, filed on Oct. 4, 2017, now Pat. No. Des. 877,659.

(57) **CLAIM**

I claim the ornamental design for a vehicle, as shown and described.

(30) **Foreign Application Priority Data**

Apr. 6, 2017 (EM) 003844745-0001
 Apr. 6, 2017 (EM) 003844745-0002
 Apr. 6, 2017 (EM) 003844745-0003
 Apr. 6, 2017 (EM) 003844745-0004

DESCRIPTION

FIG. 1 is a perspective view of a first embodiment of a part of a vehicle;
 FIG. 2 is a front plan view thereof;
 FIG. 3 is a right side elevational view thereof;
 FIG. 4 is a left side elevational view thereof;
 FIG. 5 is a top plan view thereof;
 FIG. 6 is a rear elevational view thereof; and
 FIG. 7 is a bottom plan view thereof.
 FIG. 8 is a perspective view of a second embodiment of a part of a vehicle;
 FIG. 9 is a front plan view thereof;
 FIG. 10 is a right side elevational view thereof;
 FIG. 11 is a left side elevational view thereof;
 FIG. 12 is a top plan view thereof;
 FIG. 13 is a rear elevational view thereof; and,
 FIG. 14 is a bottom plan view thereof.
 Broken lines included in the figures show portions of the vehicle that form no part of the claimed design.

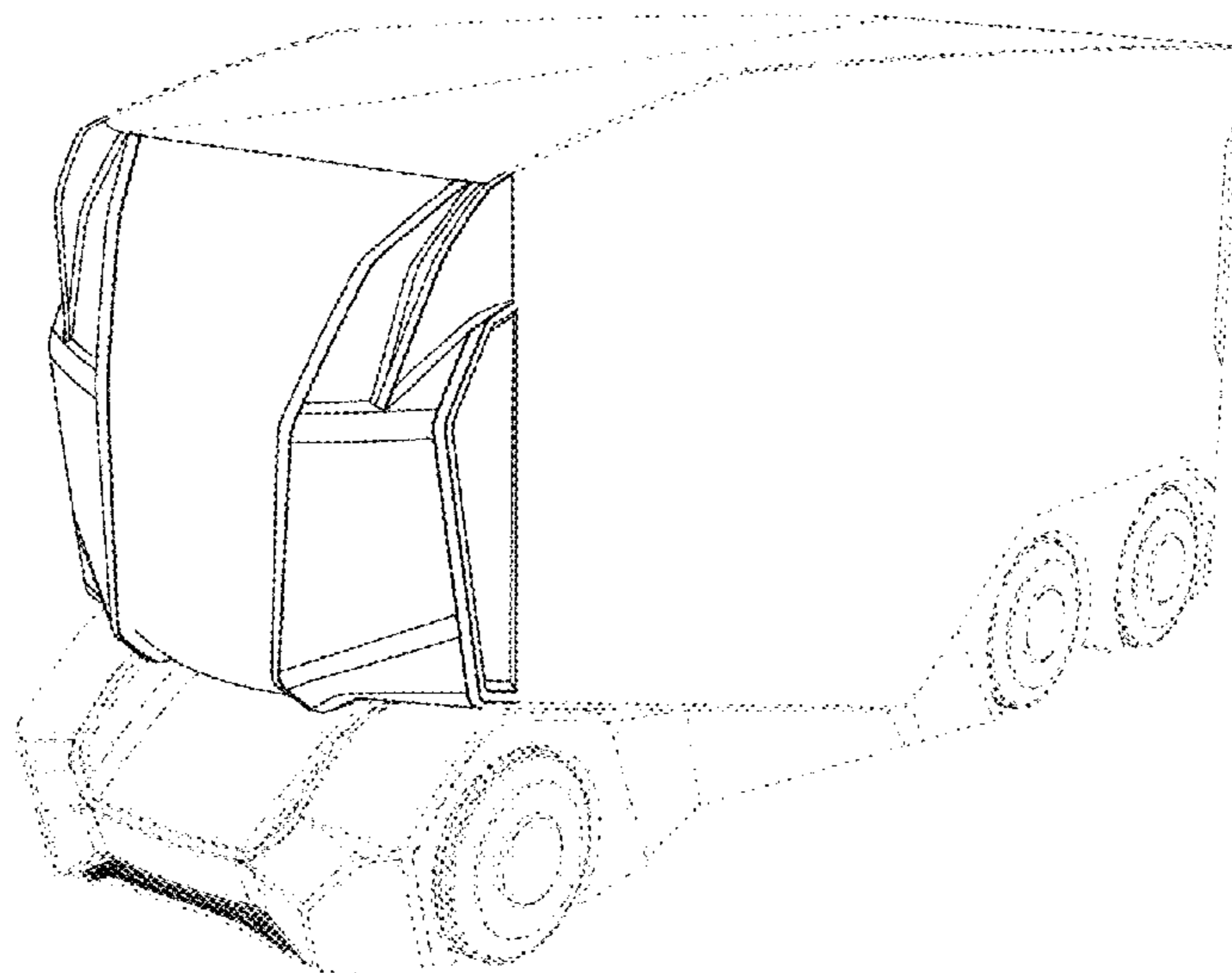
- (51) **LOC (14) Cl.** **12-08**
- (52) **U.S. Cl.**
USPC **D12/93**
- (58) **Field of Classification Search**
USPC D12/93, 97, 98, 99, 166, 167, 169, 171,
D12/172, 181, 183, 190, 196, 216
CPC B60R 1/06; B62D 25/10; B62D 25/16;
B62D 25/168
See application file for complete search history.

(56) **References Cited**

U.S. PATENT DOCUMENTS

4,500,063 A 2/1985 Schmidt et al.
 D319,996 S 9/1991 Thompson et al.
 D343,819 S 2/1994 Meryman et al.

1 Claim, 8 Drawing Sheets



(56)

References Cited

U.S. PATENT DOCUMENTS

D504,850 S 5/2005 Gunter et al.
 D532,352 S 11/2006 Angelo et al.
 D532,727 S 11/2006 Schiavone et al.
 7,195,307 B2 3/2007 Tucker et al.
 7,207,172 B2 4/2007 Willix et al.
 7,240,753 B2 7/2007 Ellerman
 D557,191 S 12/2007 Curtis, Jr. et al.
 D560,582 S 1/2008 Simons et al.
 D575,694 S 8/2008 Opfer et al.
 D575,696 S 8/2008 Gale et al.
 D617,242 S 6/2010 Lackore et al.
 D627,687 S 11/2010 Lewis
 D654,417 S 2/2012 Peltola et al.
 8,226,158 B1 7/2012 Jackson
 D666,541 S 9/2012 Stimel, Jr.
 D673,489 S 1/2013 Hanson et al.
 D677,196 S 3/2013 Salaverry et al.
 8,469,443 B2 6/2013 Case et al.
 D707,608 S 6/2014 Smith
 D709,421 S 7/2014 Conway et al.
 D709,424 S 7/2014 Conway et al.
 D709,425 S 7/2014 Conway et al.
 8,800,703 B2 8/2014 Miller et al.
 8,905,445 B2 12/2014 Critchley
 9,221,398 B1 12/2015 Englander et al.
 9,233,722 B1 1/2016 Bixby et al.
 9,308,944 B2 4/2016 Hanson et al.
 D760,126 S 6/2016 Doyle et al.
 D770,350 S 11/2016 Lindsey
 D780,081 S 2/2017 Lee
 D782,381 S 3/2017 Conway et al.
 D785,521 S 5/2017 Smith et al.
 9,643,658 B2 5/2017 Jaynes
 D789,856 S 6/2017 Wolff et al.
 D805,981 S 12/2017 Conway et al.
 D811,944 S * 3/2018 Milton D12/99
 D812,535 S 3/2018 Milton et al.

D814,357 S * 4/2018 Milton D12/93
 D826,098 S * 8/2018 Armigliato D12/93
 D826,816 S 8/2018 Lokers et al.
 D828,225 S * 9/2018 Zhang D12/93
 D832,745 S * 11/2018 Armigliato D12/93
 D860,057 S * 9/2019 Garagashyan D12/97
 D871,267 S * 12/2019 Armigliato D12/93
 D871,972 S * 1/2020 Smith D12/93
 D877,659 S * 3/2020 Sjolholm D12/93
 D878,969 S * 3/2020 Huff D12/93
 D883,858 S * 5/2020 Bischoff D12/99
 D923,518 S * 6/2021 Lian D12/93
 D933,532 S * 10/2021 Kupitza D12/93

OTHER PUBLICATIONS

Hawkins, Andrew J. This electric driverless logging truck can carry up to 16 tons of timber. Jul. 12, 2018. The Verge. <https://www.theverge.com/2018/7/12/17561912/einride-self-driving-truck-logging>.*

<https://www.techeblog.com/theres-the-tesla-semi-and-then-t-log-an-autonomous-all-electric-logging-truck/There's the Tesla Semi and Then T-Log, an Autonomous All Electric Logging Truck>. Jul. 18, 2018. Tech E Blog.*

Stewart, Jack. Einride's T-log Is a Self Driving Truck Made for the Forest. Jul. 12, 2018. Wired. <https://www.wired.com/story/einride-t-log-electric-autonomous-self-driving-truck/>.*

"Enride All Electric Autonomous Logging Truck." Jul. 17, 2018. Timberbiz. <https://www.timberbiz.com.au/enride-all-electric-autonomous-logging-truck/>.

Kreetzer, Alex. "Einride and DB Schenker Launch Autonomous Truck in Sweden." Mar. 13, 2019. Autofutures. <https://www.autofutures.tv/2019/03/13/einride-and-db-schenker-launch-autonomous-truck-in-sweden/>.

"Driverless Electric Truck Hits the Road in Sweden." May 16, 2019. Industry Europe. <https://industryeurope.com/driverless-electric-truck-hits-the-road-in-sweden/>.

* cited by examiner

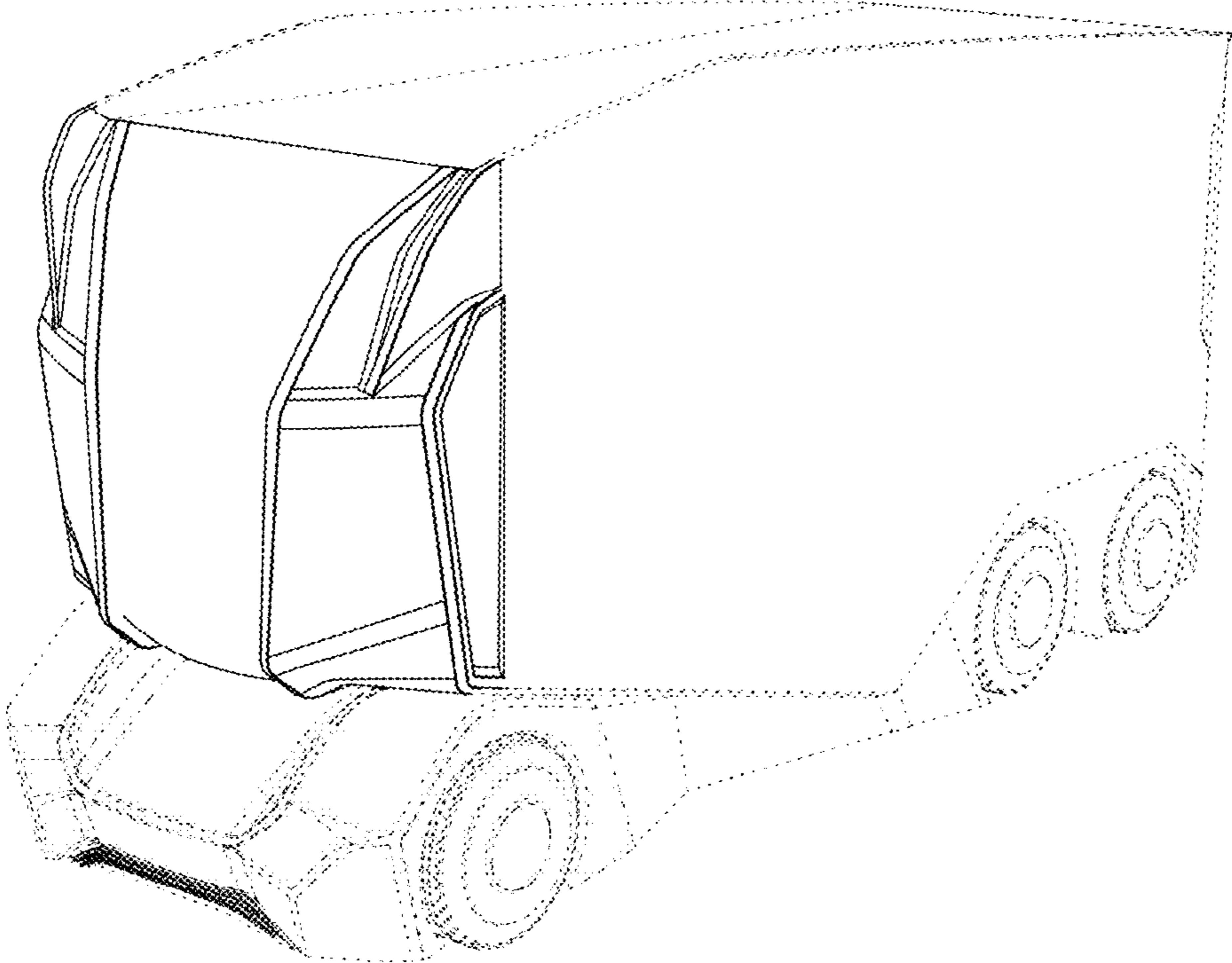


FIG. 1

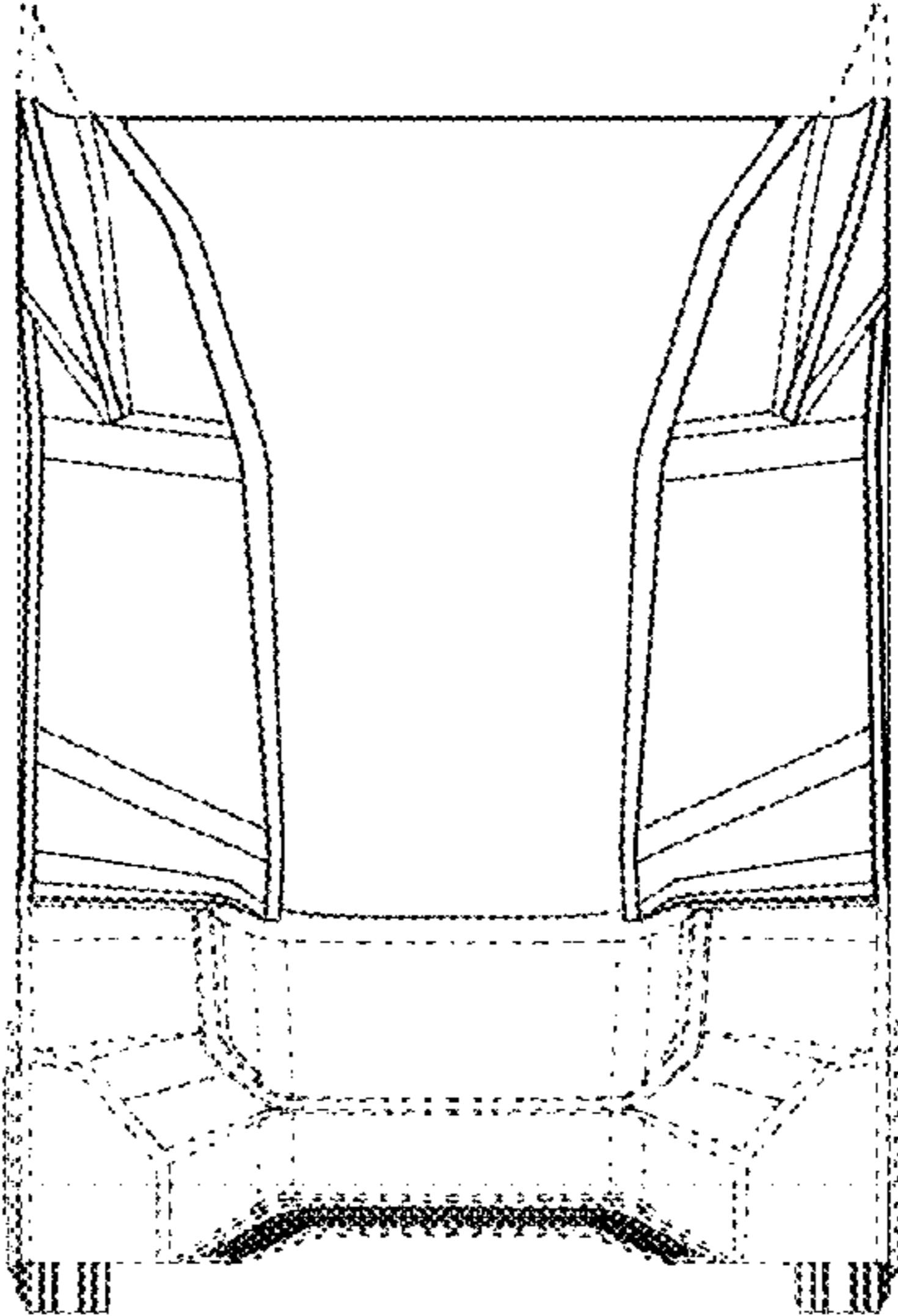


FIG. 2

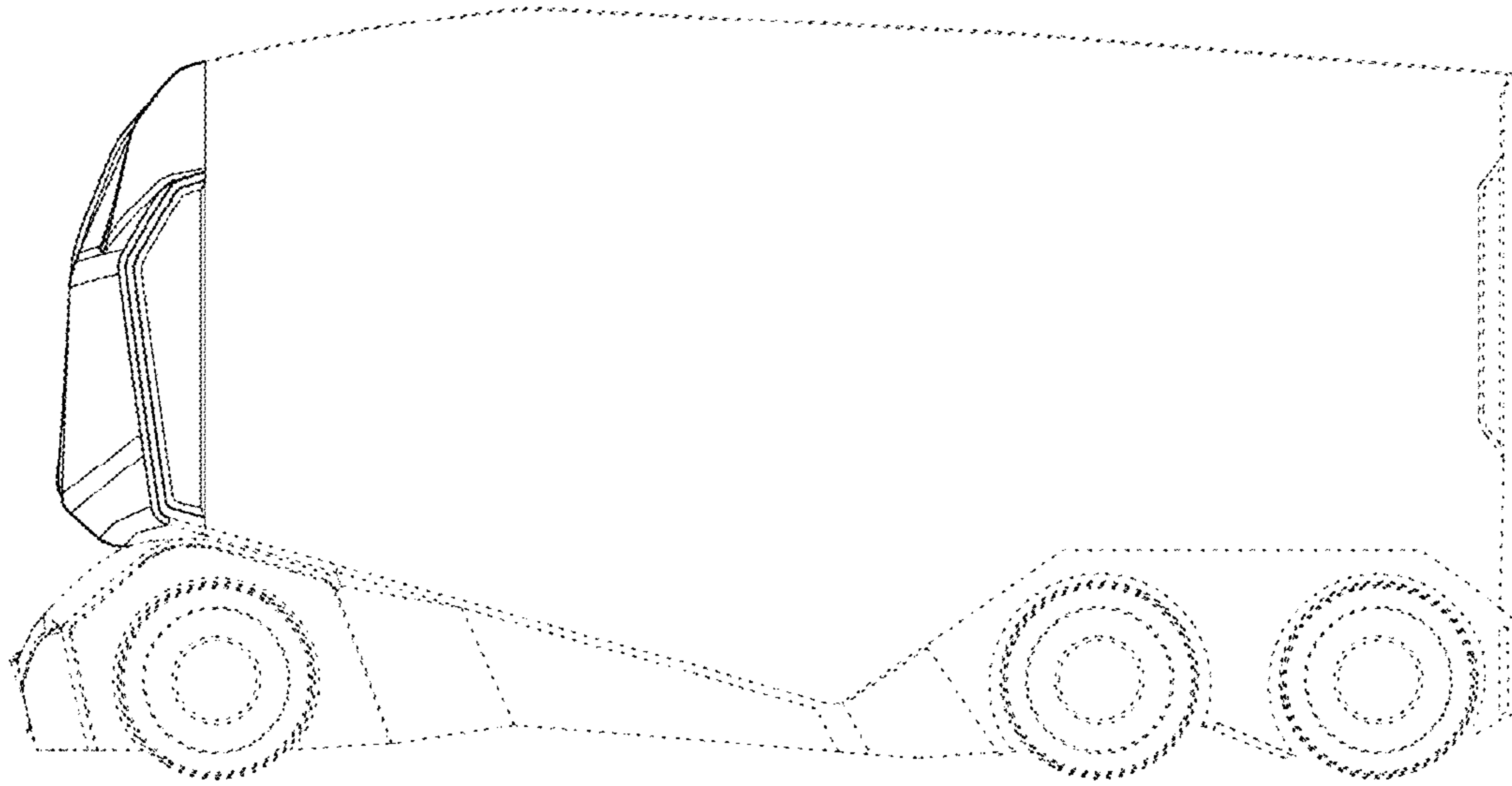


FIG. 3

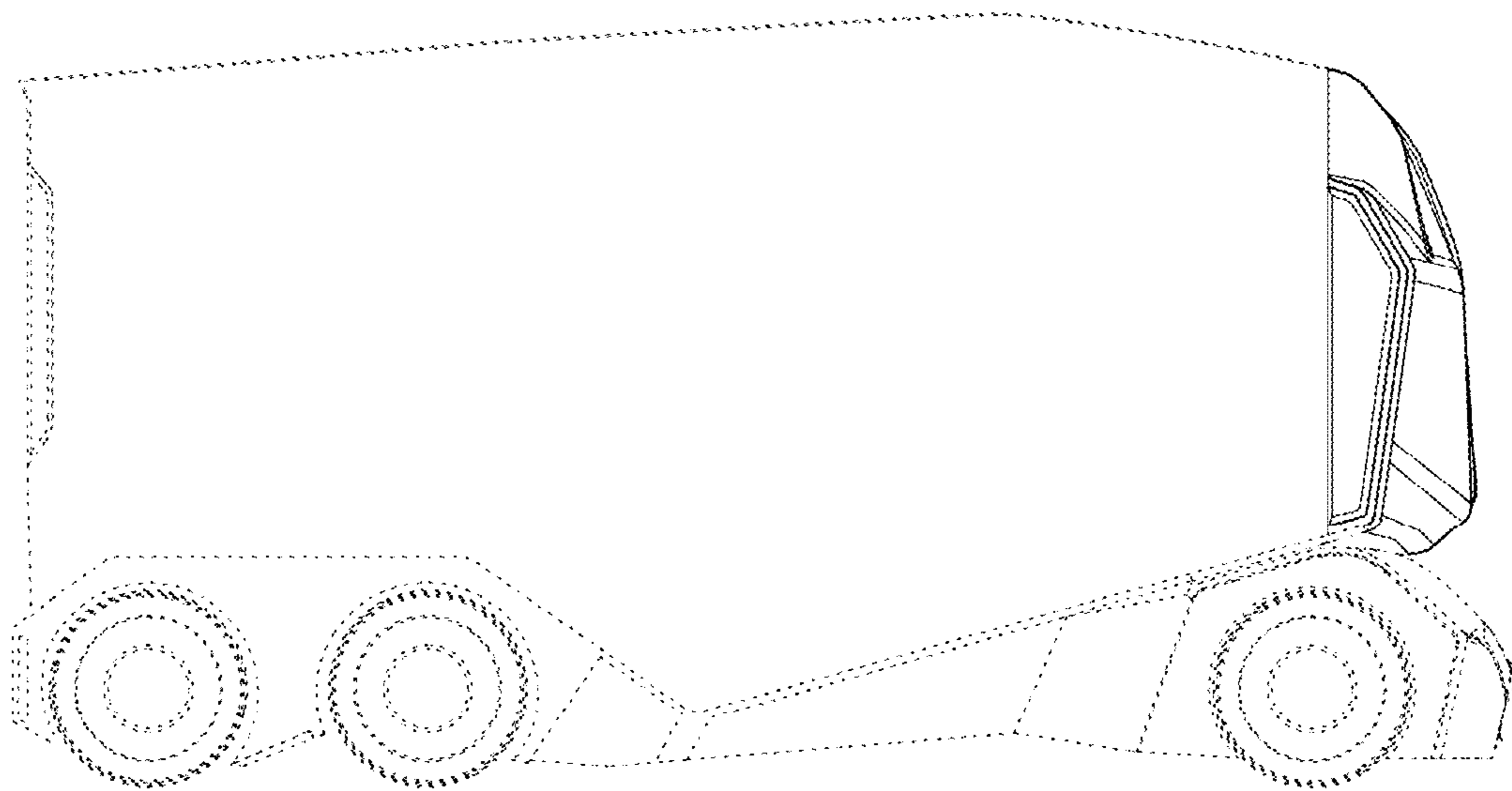


FIG. 4

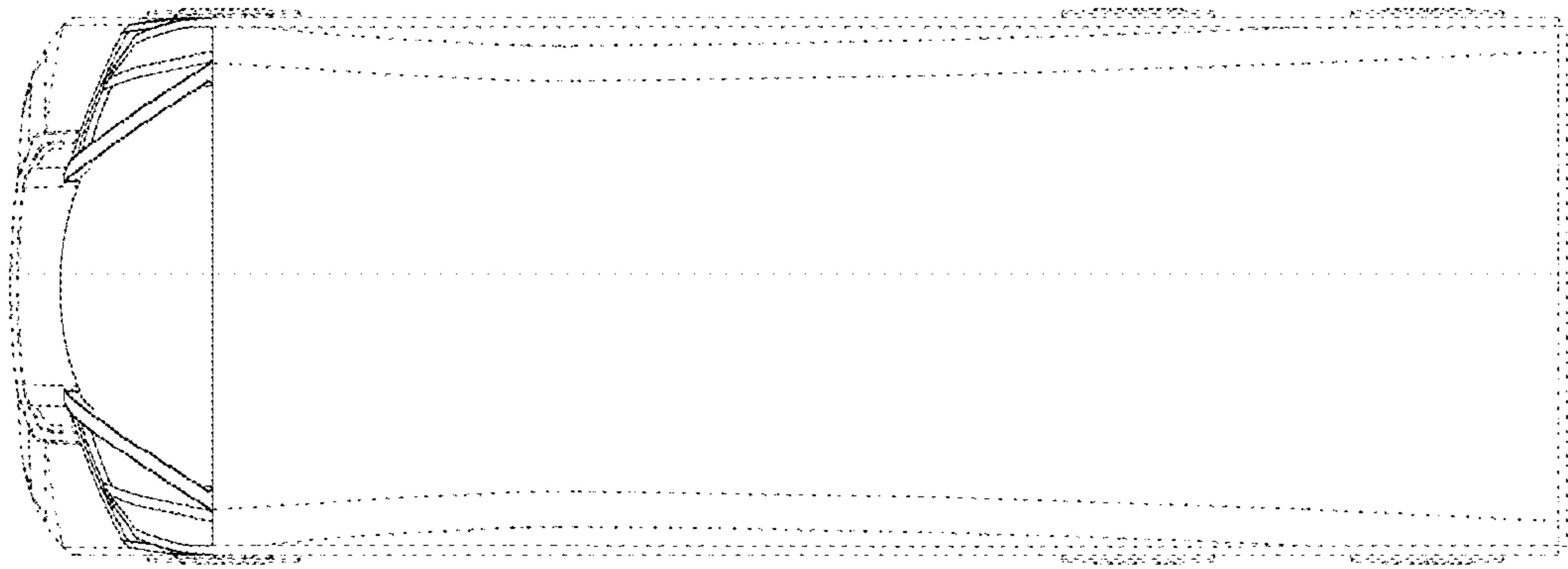


FIG. 5

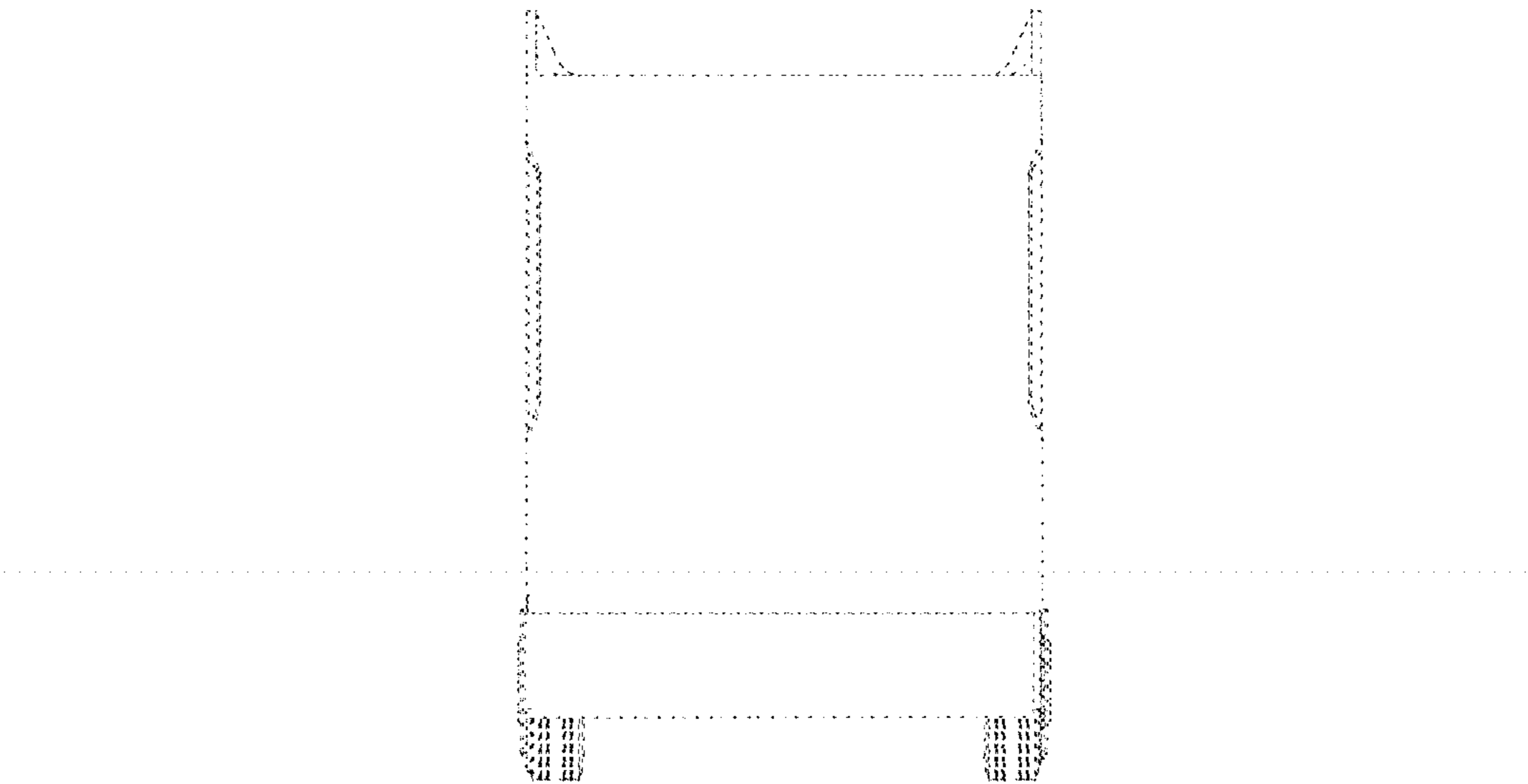


FIG. 6

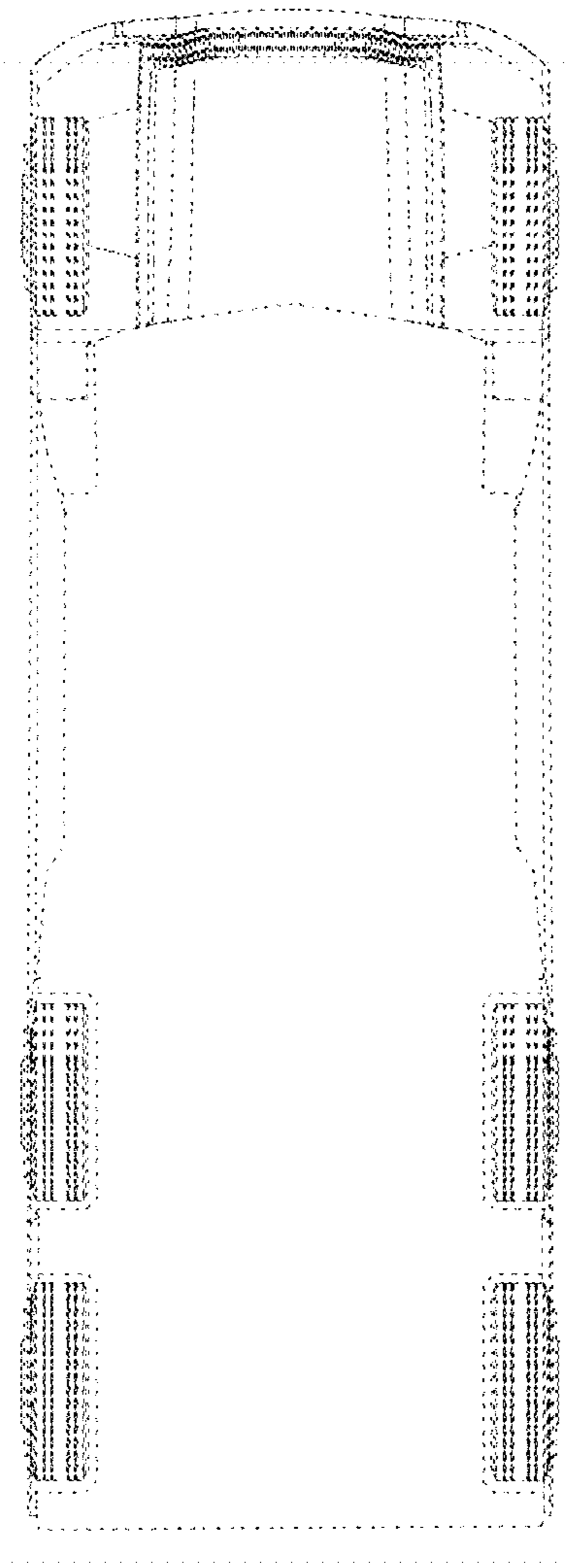


FIG. 7

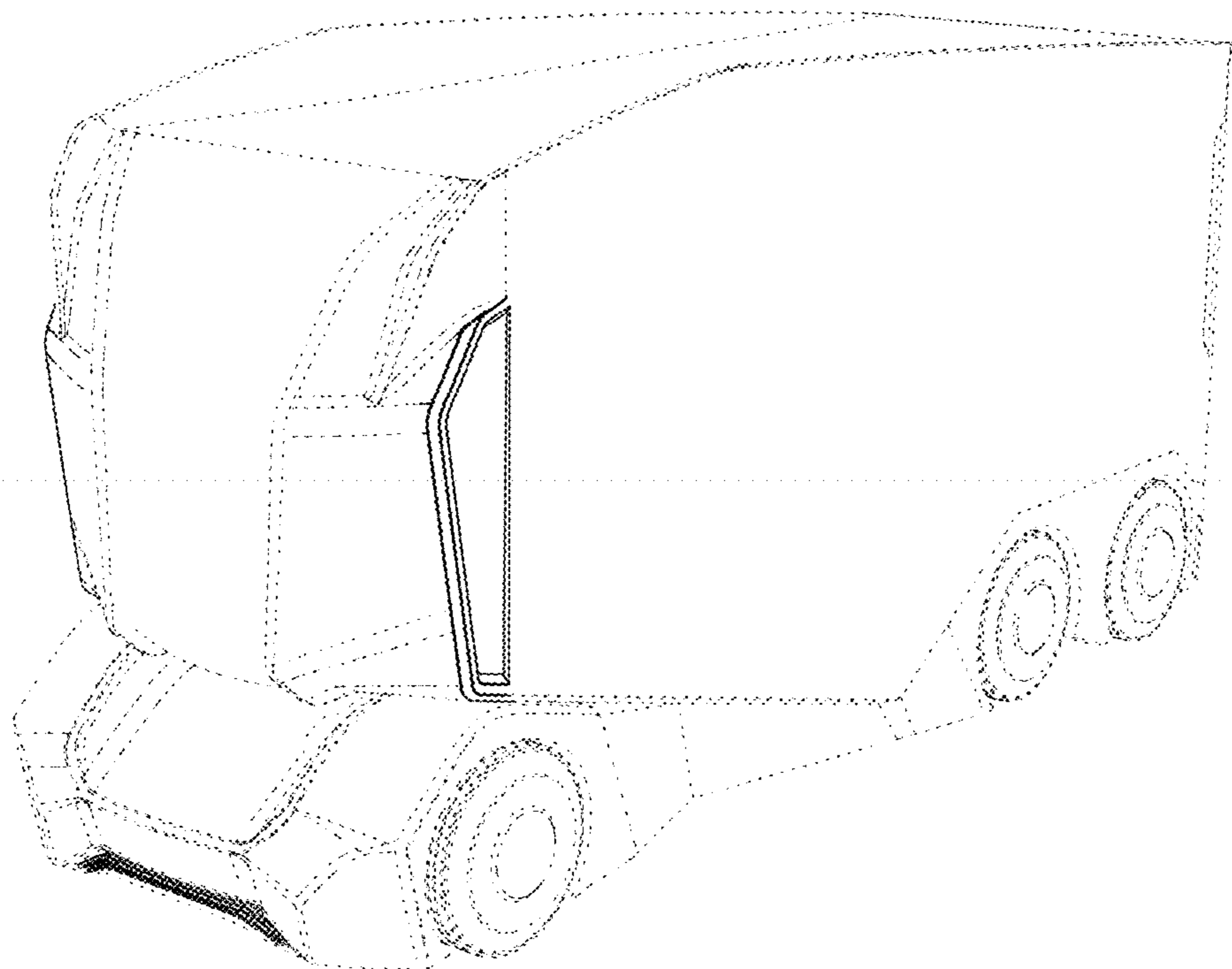


FIG. 8

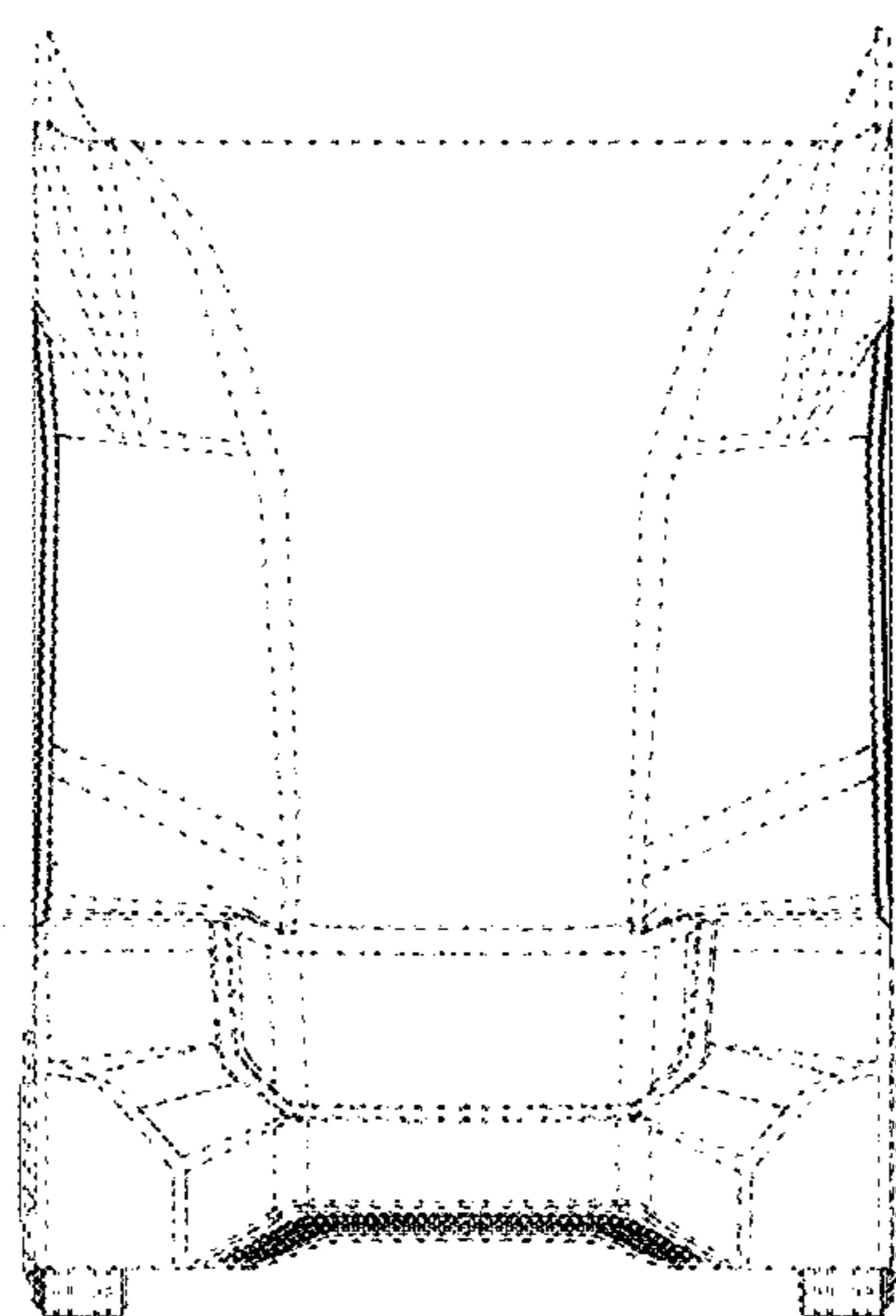


FIG. 9

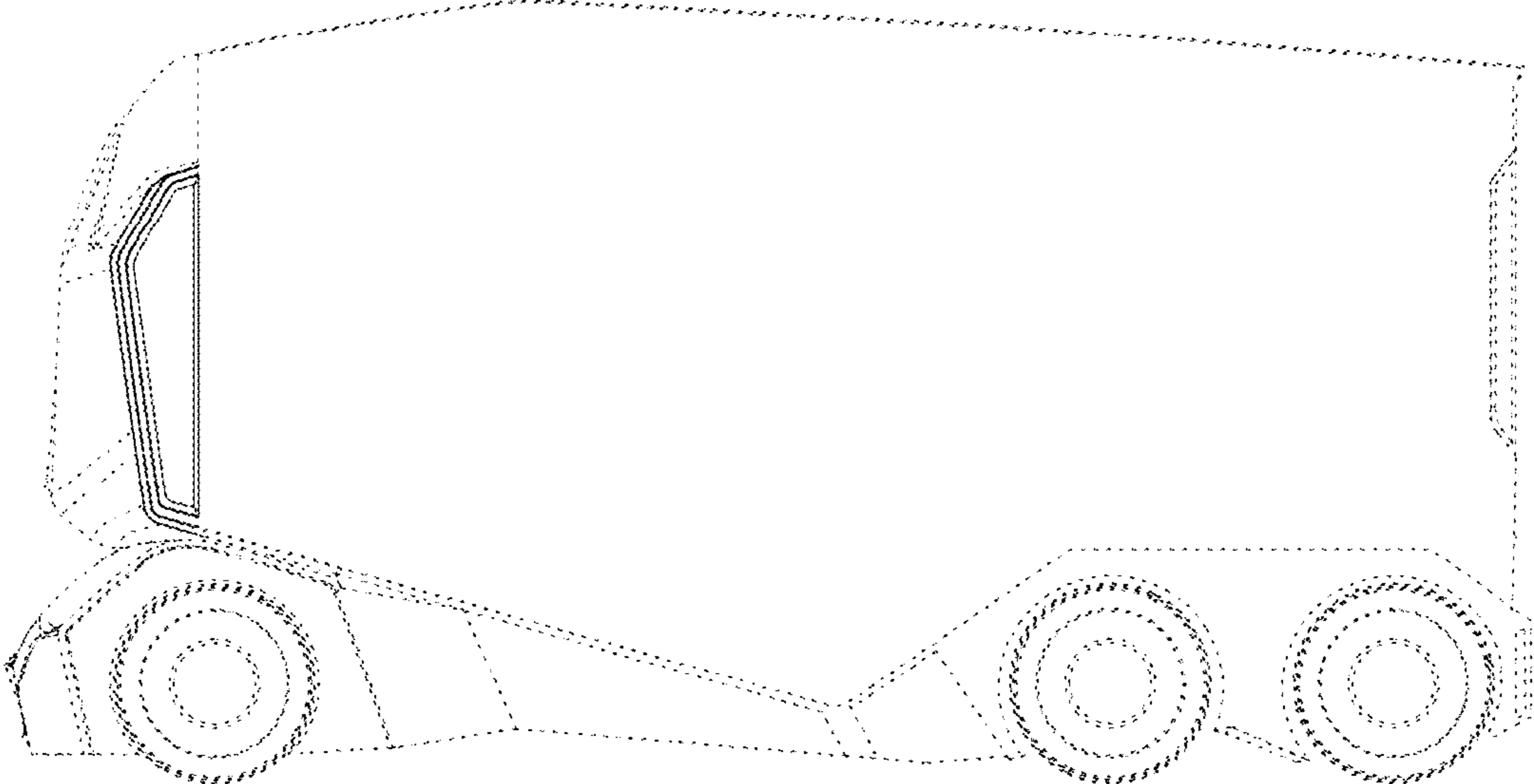


FIG. 10

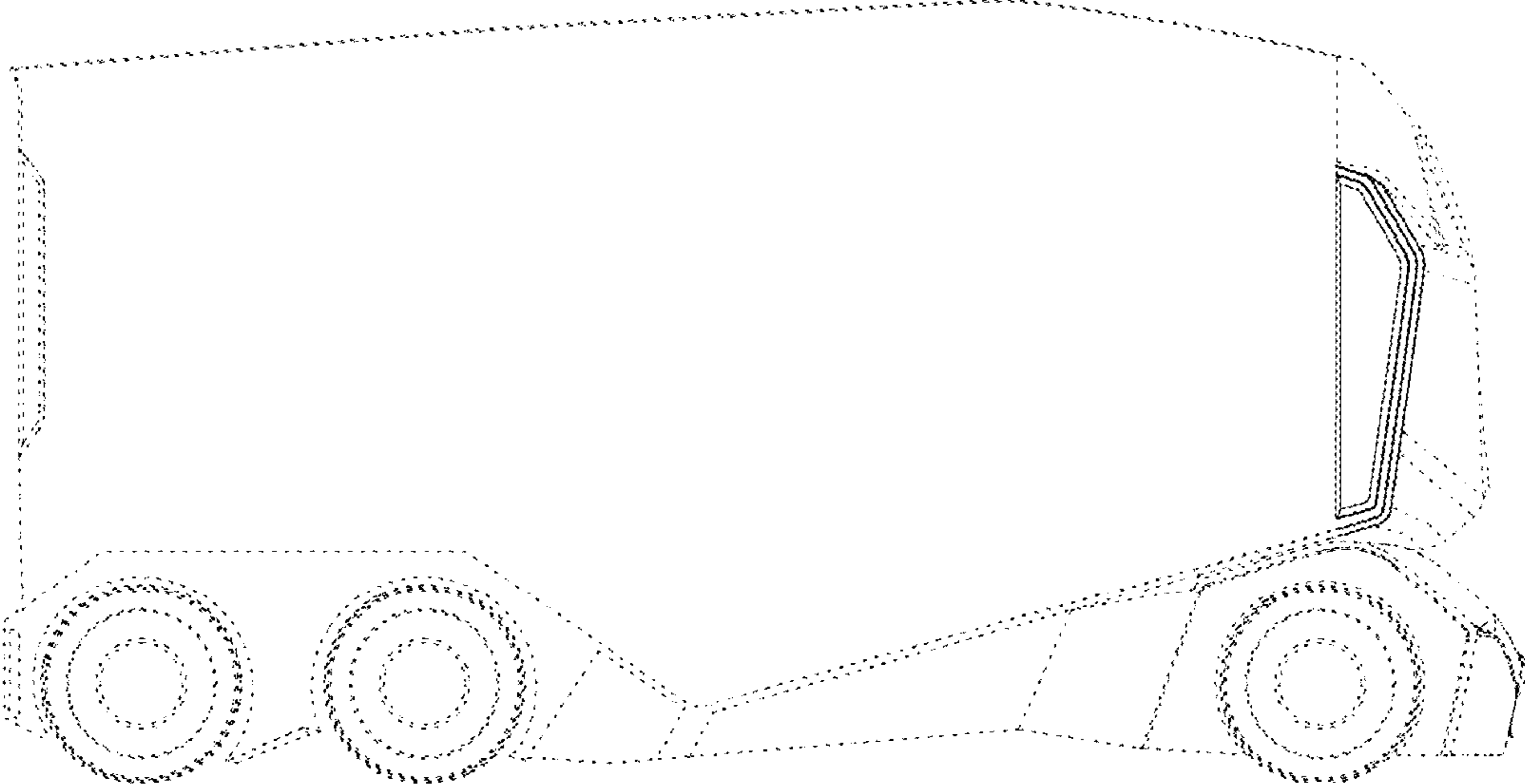


FIG. 11

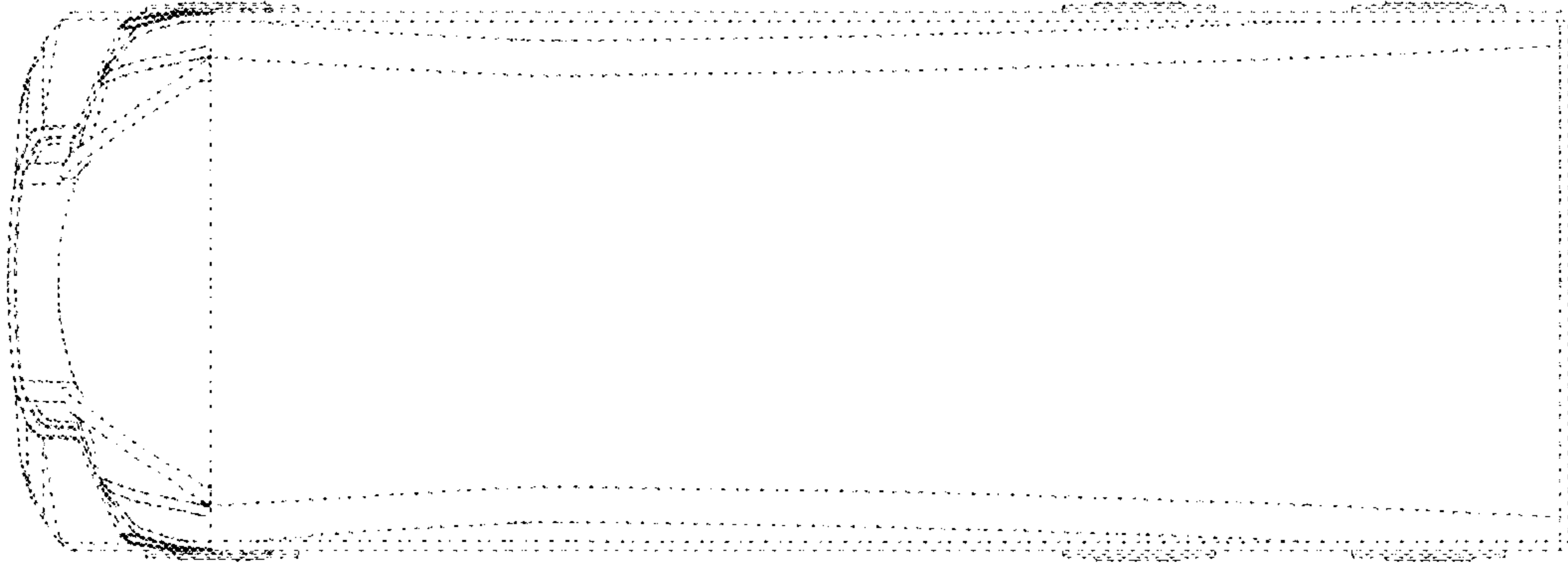


FIG. 12

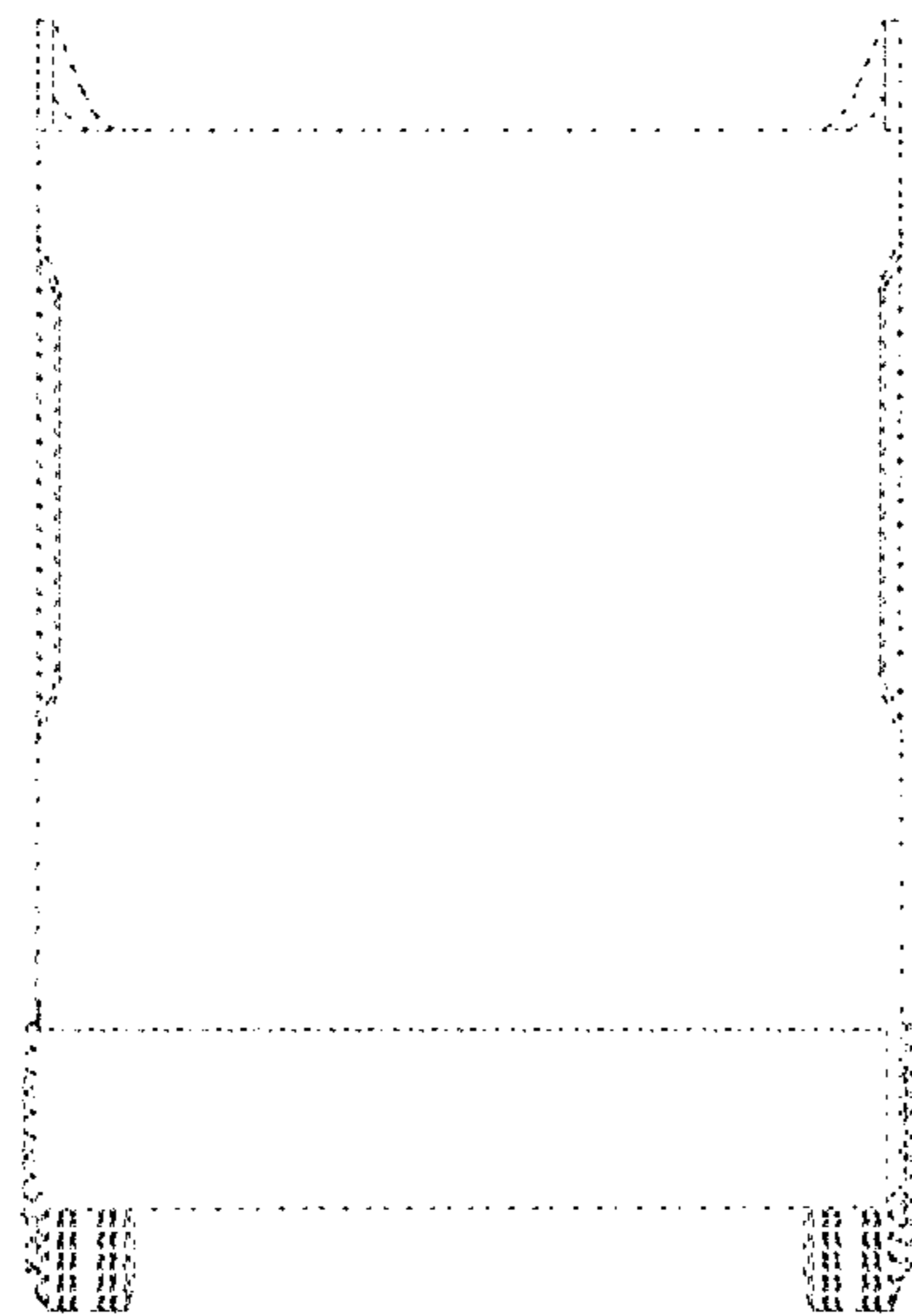


FIG. 13

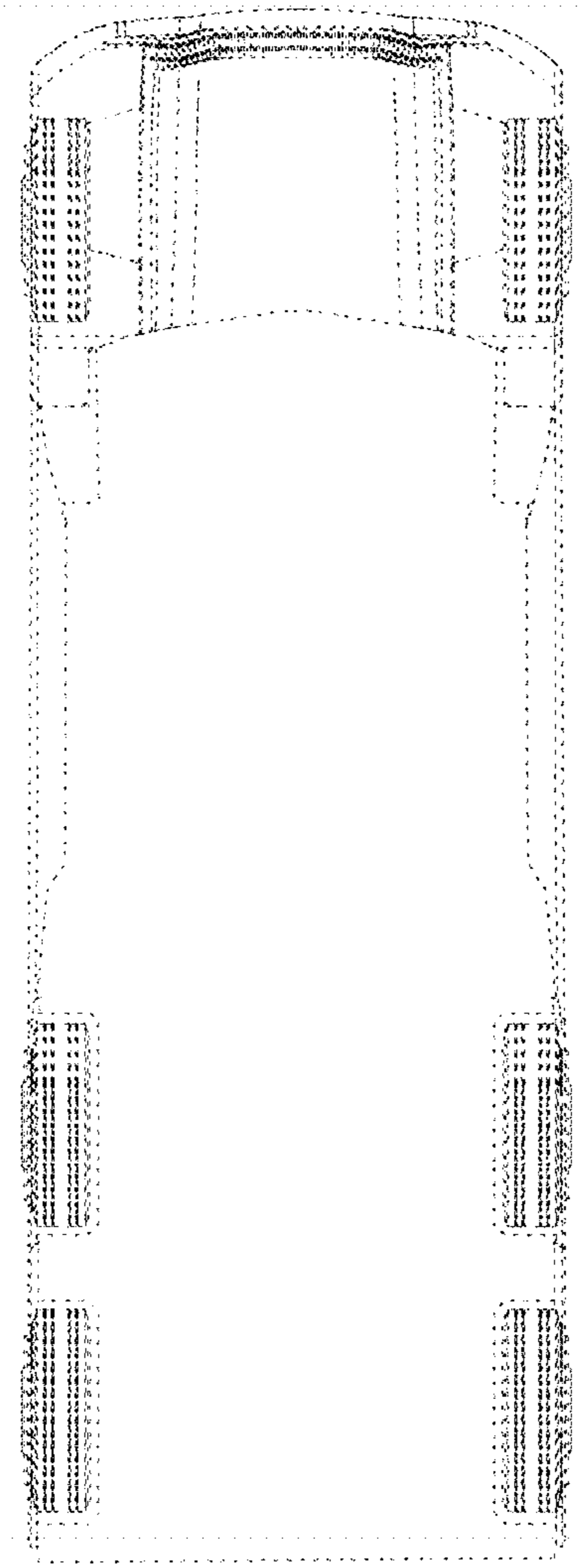


FIG. 14