



US00D974964S

(12) **United States Design Patent**  
**Seebers et al.**

(10) **Patent No.:** **US D974,964 S**  
(45) **Date of Patent:** **\*\* Jan. 10, 2023**

(54) **MOTOR VEHICLE, TOY VEHICLE REPLICA  
AND/OR OTHER REPLICA**

(71) Applicant: **AUDI AG**, Ingolstadt (DE)

(72) Inventors: **Wolf Seebers**, Ingolstadt (DE); **Sascha  
Heyde**, Ingolstadt (DE)

(73) Assignee: **AUDI AG**, Ingolstadt (DE)

(\*\*) Term: **15 Years**

(21) Appl. No.: **29/786,516**

(22) Filed: **Jun. 1, 2021**

(30) **Foreign Application Priority Data**

Mar. 18, 2021 (EM) ..... 008 466 320

(51) **LOC (14) Cl.** ..... **12-08**

(52) **U.S. Cl.**  
USPC ..... **D12/91**

(58) **Field of Classification Search**

USPC ..... D12/86, 90-92, 88; D21/424, 433, 434,  
D21/533, 535; 296/181.1-181.5, 183.1  
CPC ..... B62D 25/00; B62D 25/06; B62D 33/00;  
B62D 35/00

See application file for complete search history.

(56) **References Cited**

**U.S. PATENT DOCUMENTS**

D637,943 S \* 5/2011 Bischoff ..... D12/92  
D671,034 S \* 11/2012 Bischoff ..... D12/91  
D671,035 S \* 11/2012 Bischoff ..... D12/91  
D690,231 S \* 9/2013 Bischoff ..... D12/91  
D699,157 S \* 2/2014 Bischoff ..... D12/92  
D701,145 S \* 3/2014 Bischoff ..... D12/91  
D706,174 S \* 6/2014 Garand ..... D12/92  
D712,788 S \* 9/2014 Bischoff ..... D12/91  
D714,689 S \* 10/2014 Bischoff ..... D12/92

D715,693 S \* 10/2014 Lamberty ..... D12/92  
D740,177 S \* 10/2015 Callum ..... D12/92  
D740,178 S \* 10/2015 Bischoff ..... D12/92  
D748,534 S \* 2/2016 Bischoff ..... D12/92  
D756,849 S \* 5/2016 Garcia Lopez ..... D12/92  
D761,697 S \* 7/2016 Bischoff ..... D12/92  
D764,352 S \* 8/2016 Pires ..... D12/92  
D767,448 S \* 9/2016 Leu ..... D12/92  
D769,155 S \* 10/2016 Garand ..... D12/92  
D783,457 S \* 4/2017 Wehrli ..... D12/92  
D793,910 S \* 8/2017 Liese ..... D12/92  
D801,873 S \* 11/2017 Lamberty ..... D12/92  
D802,483 S \* 11/2017 Fahr-Becker ..... D12/92  
D804,362 S \* 12/2017 Jung ..... D12/92  
D813,099 S \* 3/2018 Brendel ..... D12/92  
D814,356 S \* 4/2018 Lamberty ..... D12/92

(Continued)

*Primary Examiner* — Melody N Brown

(74) *Attorney, Agent, or Firm* — Lucas & Mercanti, LLP;  
Klaus P. Stoffel

(57) **CLAIM**

The ornamental design for a motor vehicle, toy vehicle replica and/or other replica, as shown and described.

**DESCRIPTION**

FIG. 1 is a front and right side perspective view of a motor vehicle, toy vehicle replica and/or other replica showing our new design;

FIG. 2 is a rear and right side perspective view thereof;

FIG. 3 is a front view thereof;

FIG. 4 is a rear view thereof;

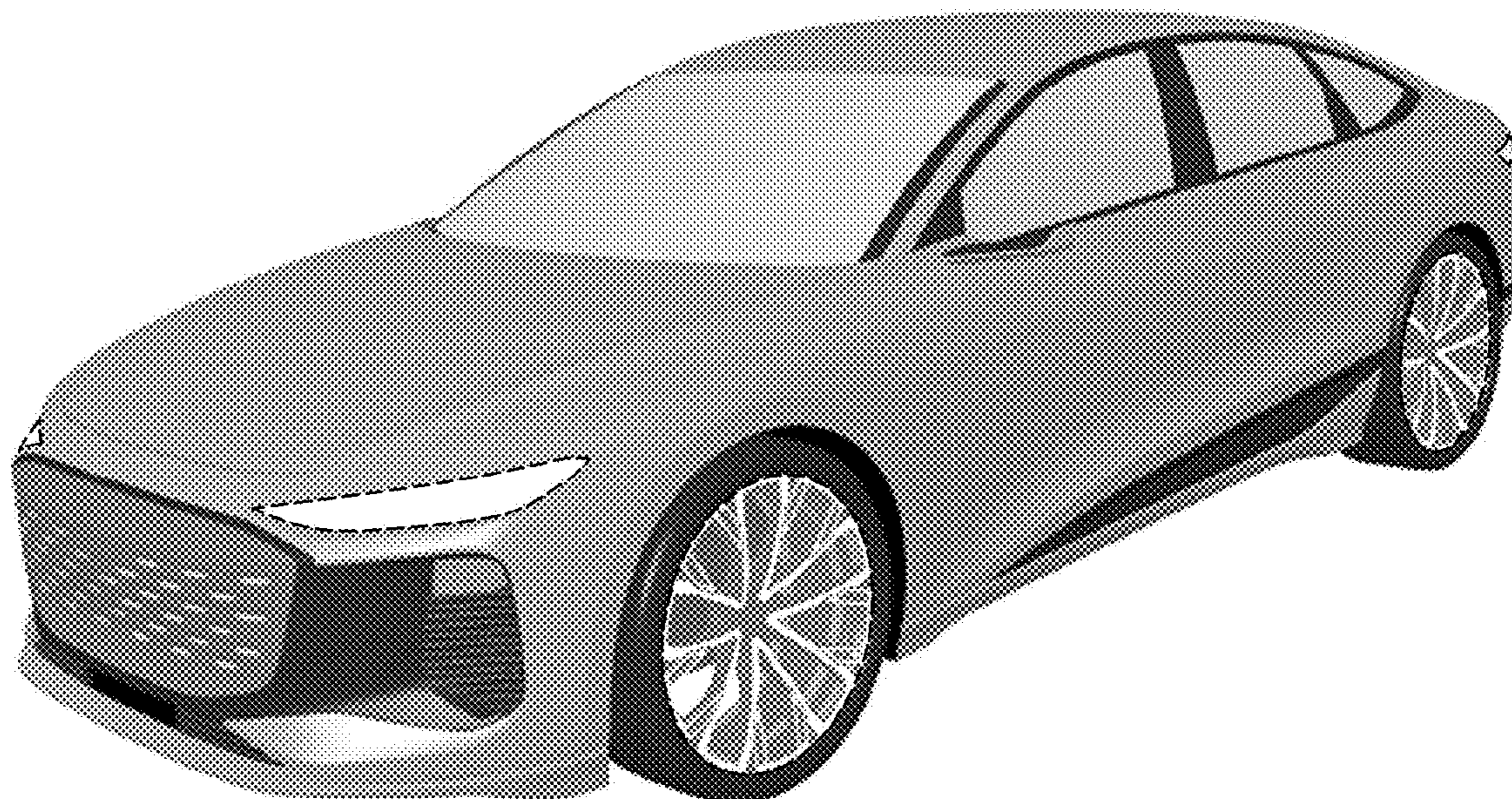
FIG. 5 is a left side view thereof;

FIG. 6 is a right side view thereof; and,

FIG. 7 is a top view thereof.

The wheels and lights shown on the vehicle throughout the drawing views in a de-emphasized and faded out half tone manner bordered by broken lines are for environmental and illustrative purposes and form no part of the claimed design.

**1 Claim, 4 Drawing Sheets**



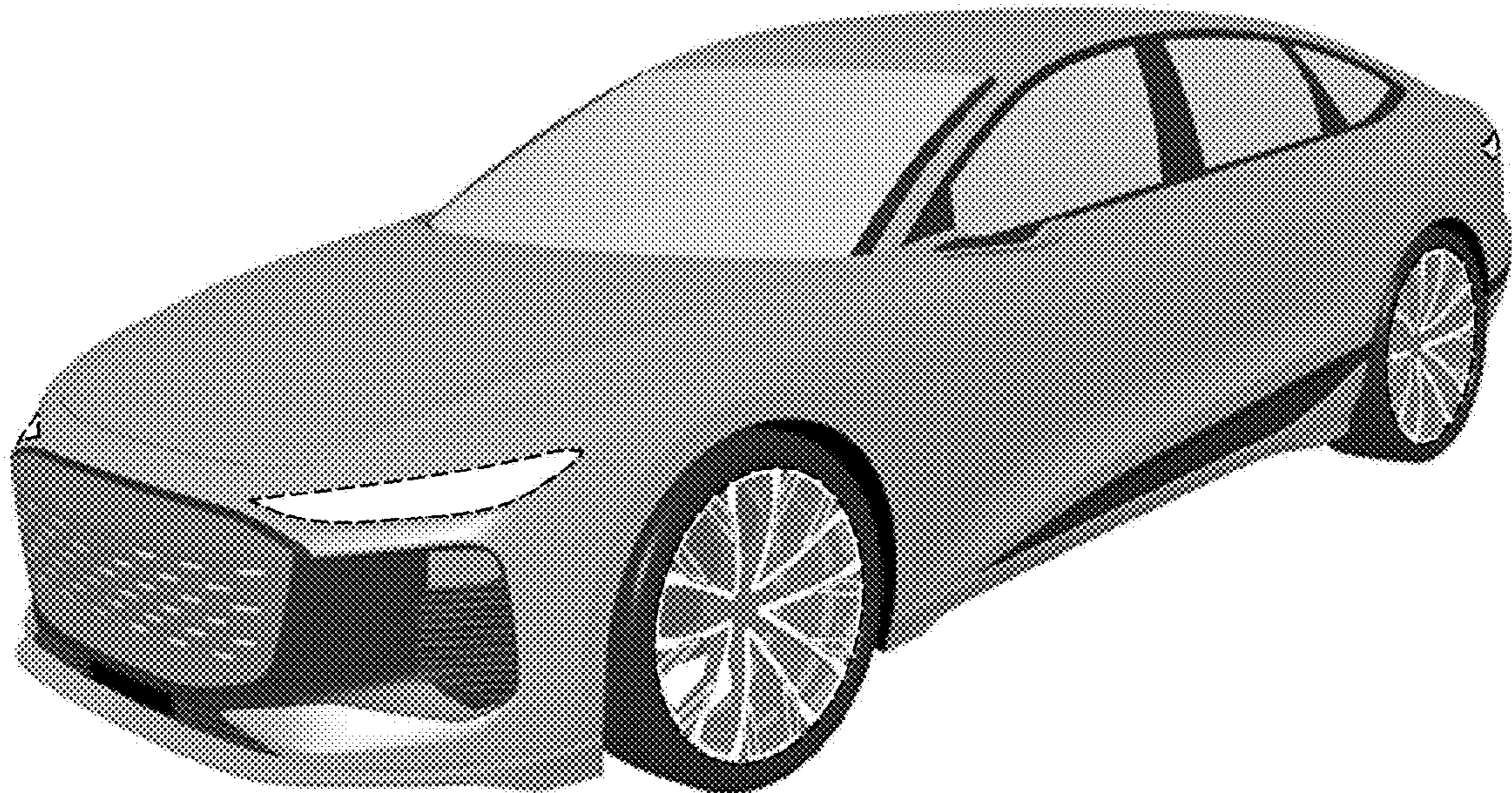
(56)

**References Cited**

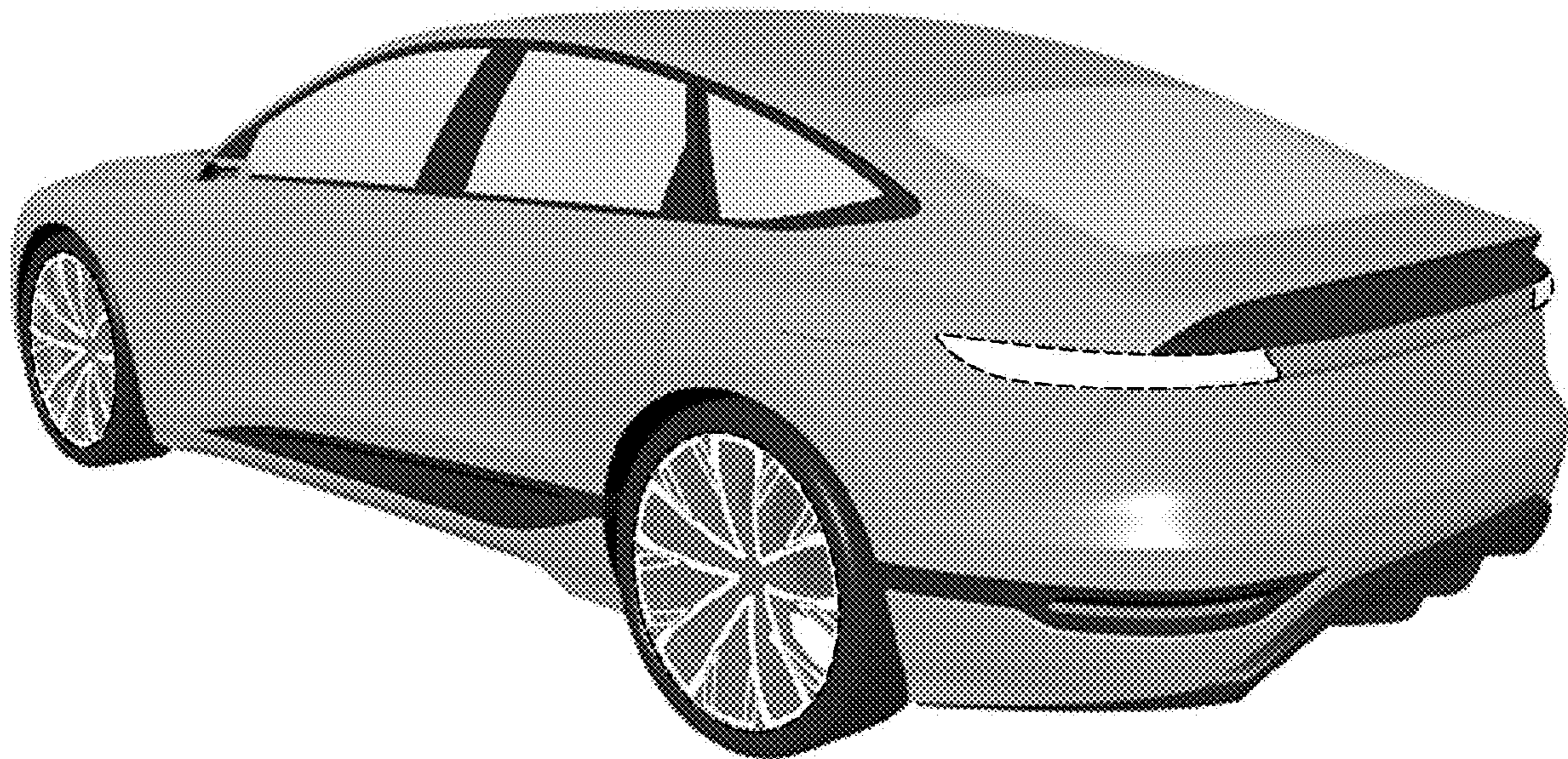
U.S. PATENT DOCUMENTS

D823,723	S	*	7/2018	Brendel	.....	D12/92
D826,095	S	*	8/2018	Hirzel	.....	D12/92
D828,785	S	*	9/2018	Seebers	.....	D12/92
D831,542	S	*	10/2018	Russo	.....	D12/92
D898,618	S	*	10/2020	Huerta Martinez	.....	D12/91

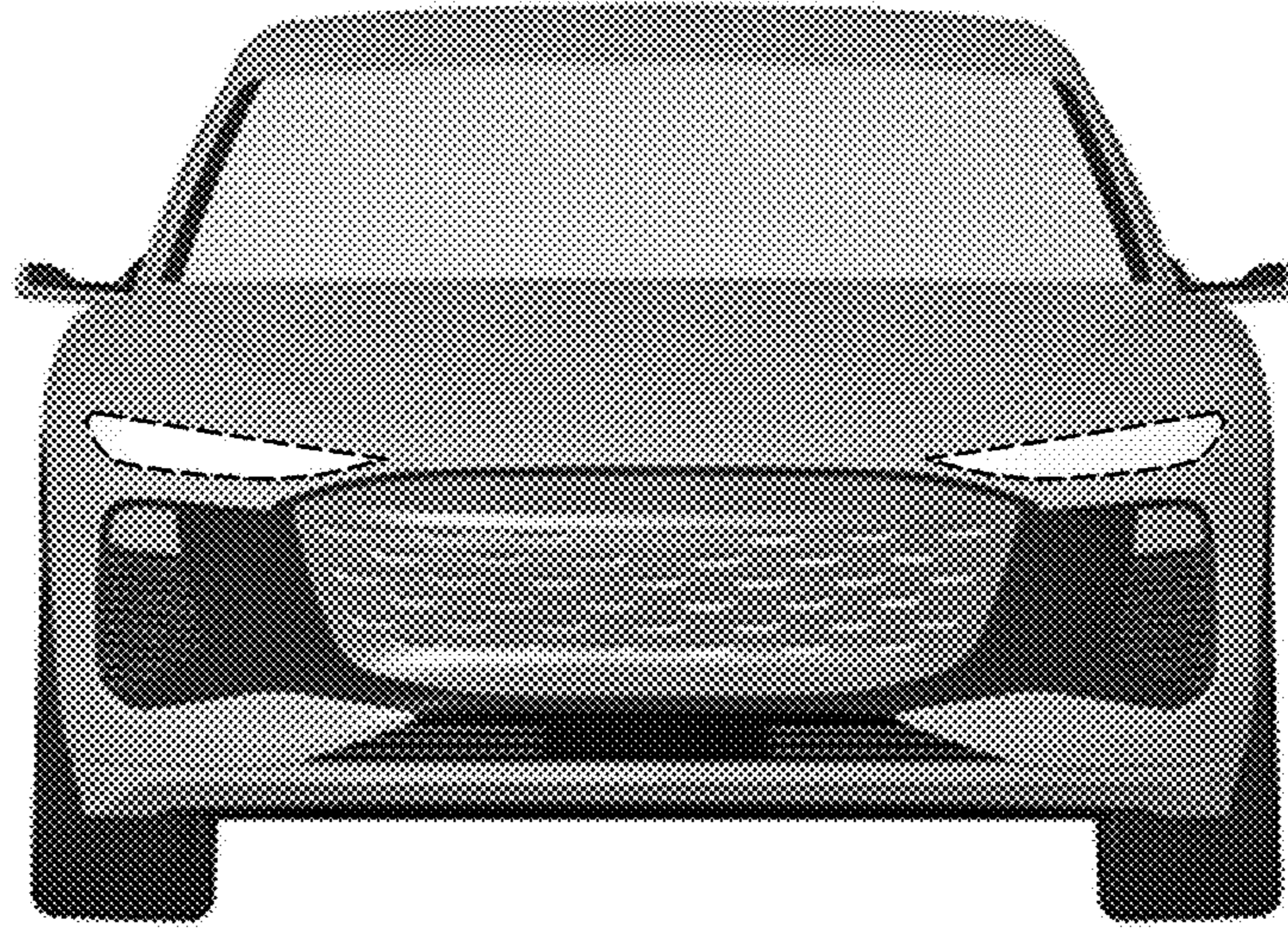
\* cited by examiner



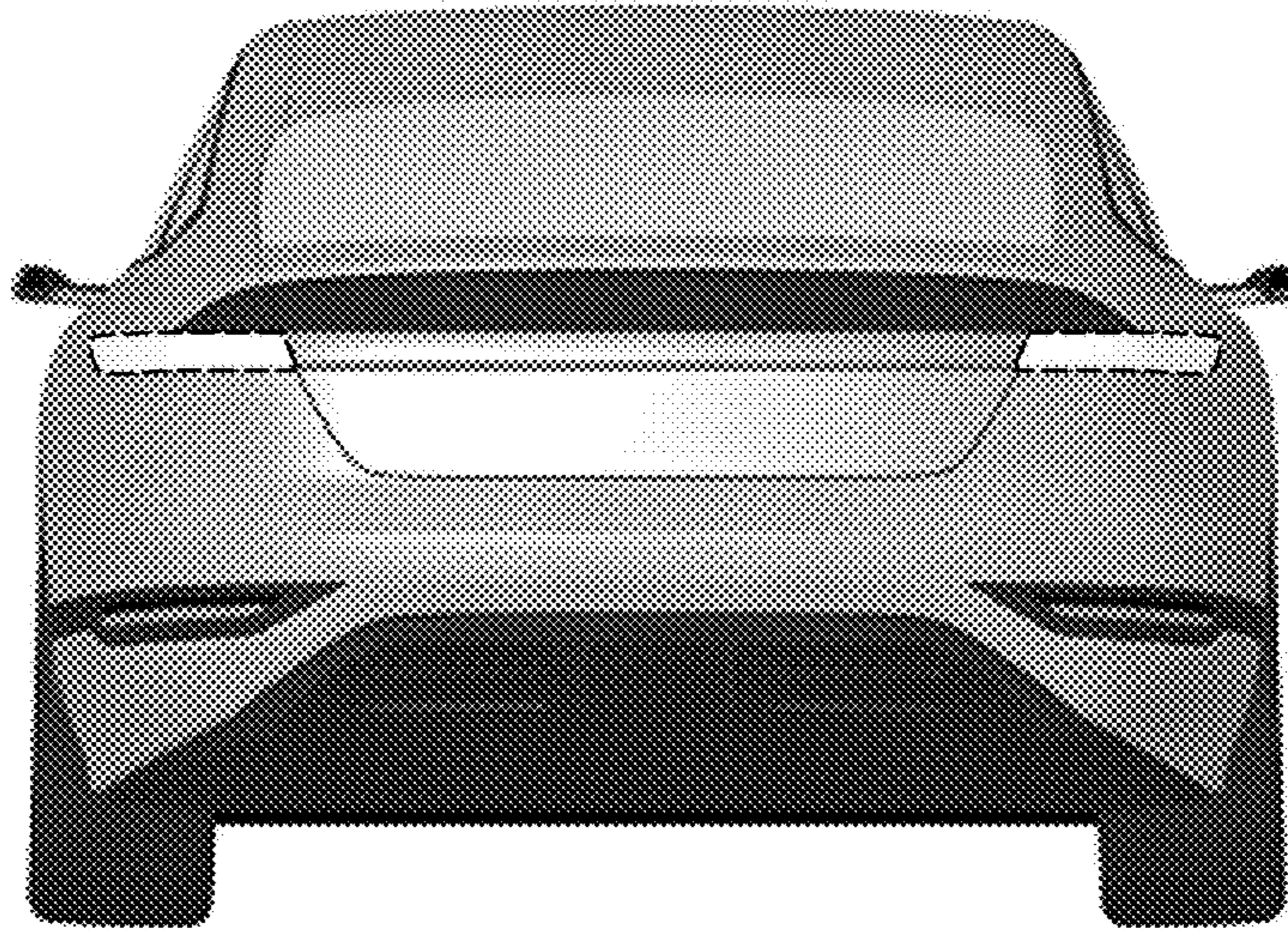
**Fig. 1**



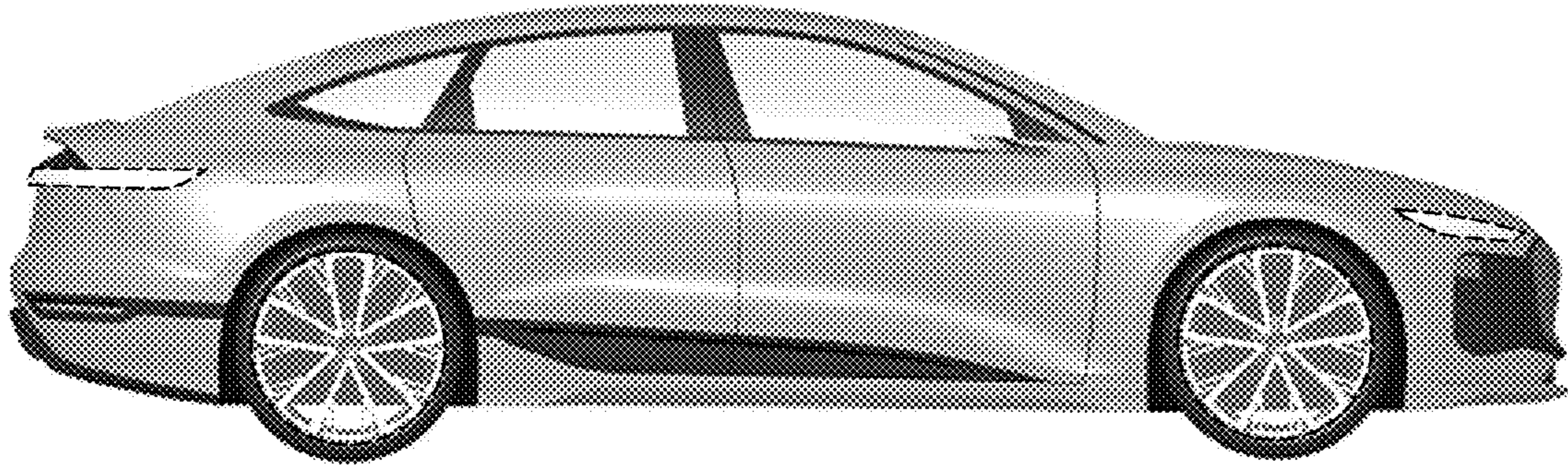
**Fig. 2**



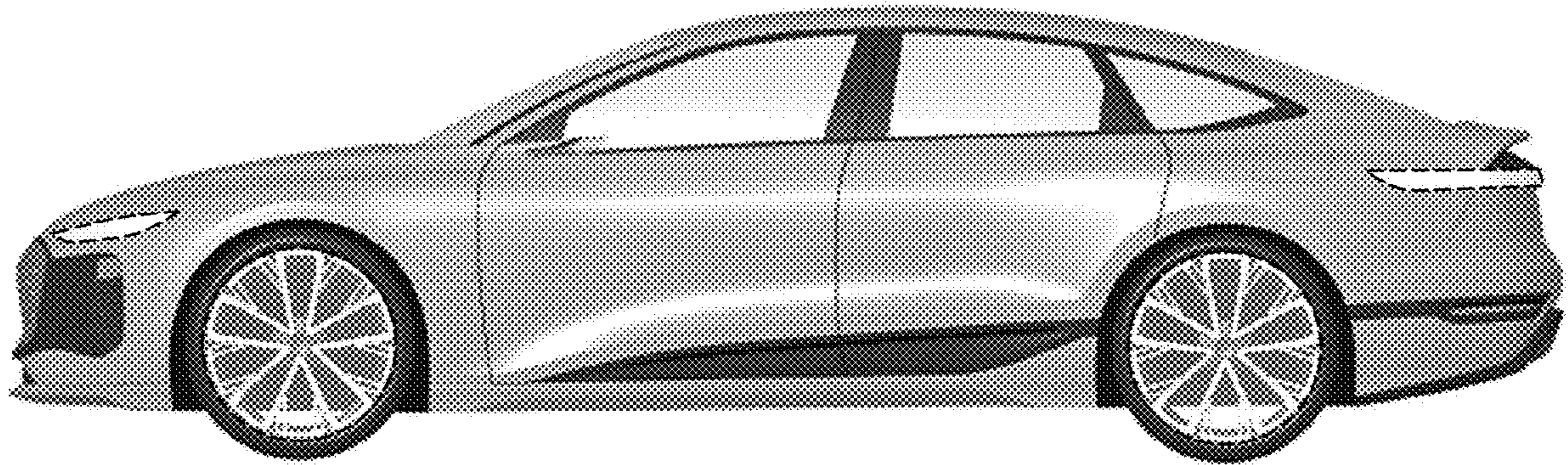
**Fig. 3**



**Fig. 4**



**Fig. 5**



**Fig. 6**

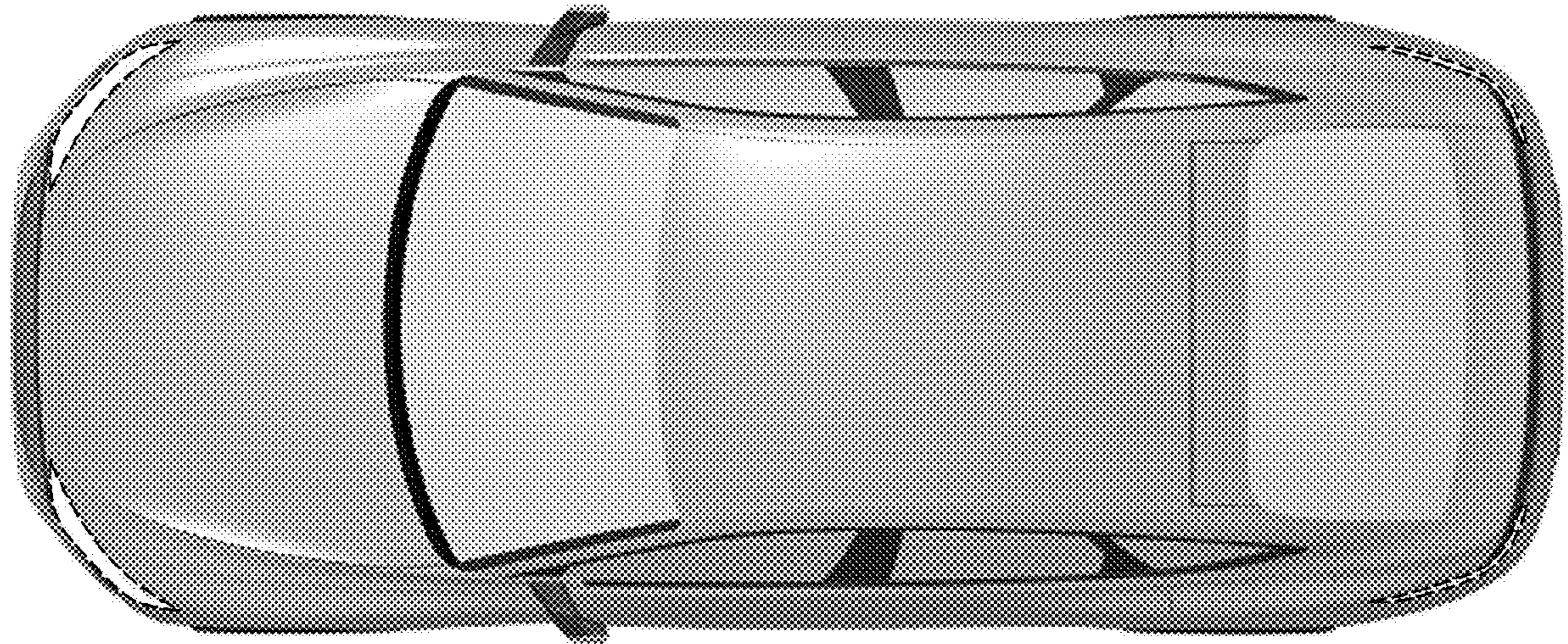


Fig. 7