



US00D974962S

(12) **United States Design Patent**  
**Tovey et al.**

(10) **Patent No.:** **US D974,962 S**  
(45) **Date of Patent:** **\*\* Jan. 10, 2023**

(54) **AUTOMOTIVE VEHICLE BODY, TOY VEHICLE BODY REPLICA AND/OR OTHER REPLICA**

(71) Applicant: **Atieva Inc.**, Uglan House (KY)

(72) Inventors: **Simon Tovey**, Fremont, CA (US); **Alvin Po-yu Tseng**, San Francisco, CA (US); **Derek N. Jenkins**, Malibu, CA (US)

(73) Assignee: **Atieva Inc.**, Grand Cayman (KY)

(\*\*) Term: **15 Years**

(21) Appl. No.: **29/748,064**

(22) Filed: **Aug. 27, 2020**

(51) **LOC (14) Cl.** ..... **12-08**

(52) **U.S. Cl.**  
USPC ..... **D12/91**

(58) **Field of Classification Search**  
USPC ..... D12/86, 90-92, 164; D21/433, 434, D21/531-535; 296/181.1-181.5, 183.1  
CPC ..... B62D 25/00; B62D 25/06; B62D 33/00; B62D 35/00  
See application file for complete search history.

(56) **References Cited**

**U.S. PATENT DOCUMENTS**

D727,209 S *	4/2015	Kawasaki	.....	D12/91
D809,971 S	2/2018	Lee et al.		
D832,742 S *	11/2018	Fisker	.....	D12/84
D864,025 S *	10/2019	Tomasson	.....	D12/91
D872,650 S *	1/2020	Tomasson	.....	D12/91
D881,755 S *	4/2020	Tomasson	.....	D12/91
D885,981 S *	6/2020	Lian	.....	D12/91
D894,047 S *	8/2020	Tomasson	.....	D12/91
D912,577 S *	3/2021	Fontaeus	.....	D12/91
D913,849 S	3/2021	Nurnberger et al.		
D914,544 S *	3/2021	Sheffield	.....	D12/91
D920,842 S *	6/2021	Yao	.....	D12/91
D940,589 S *	1/2022	Nakamura	.....	D12/86

**OTHER PUBLICATIONS**

Photos of Lucid Motors AIR™ prototype vehicle exterior (published prior to Jun. 2019).

Photo of Dodge Charger (published or publically used prior to Jun. 2019).

(Continued)

*Primary Examiner* — Melody N Brown

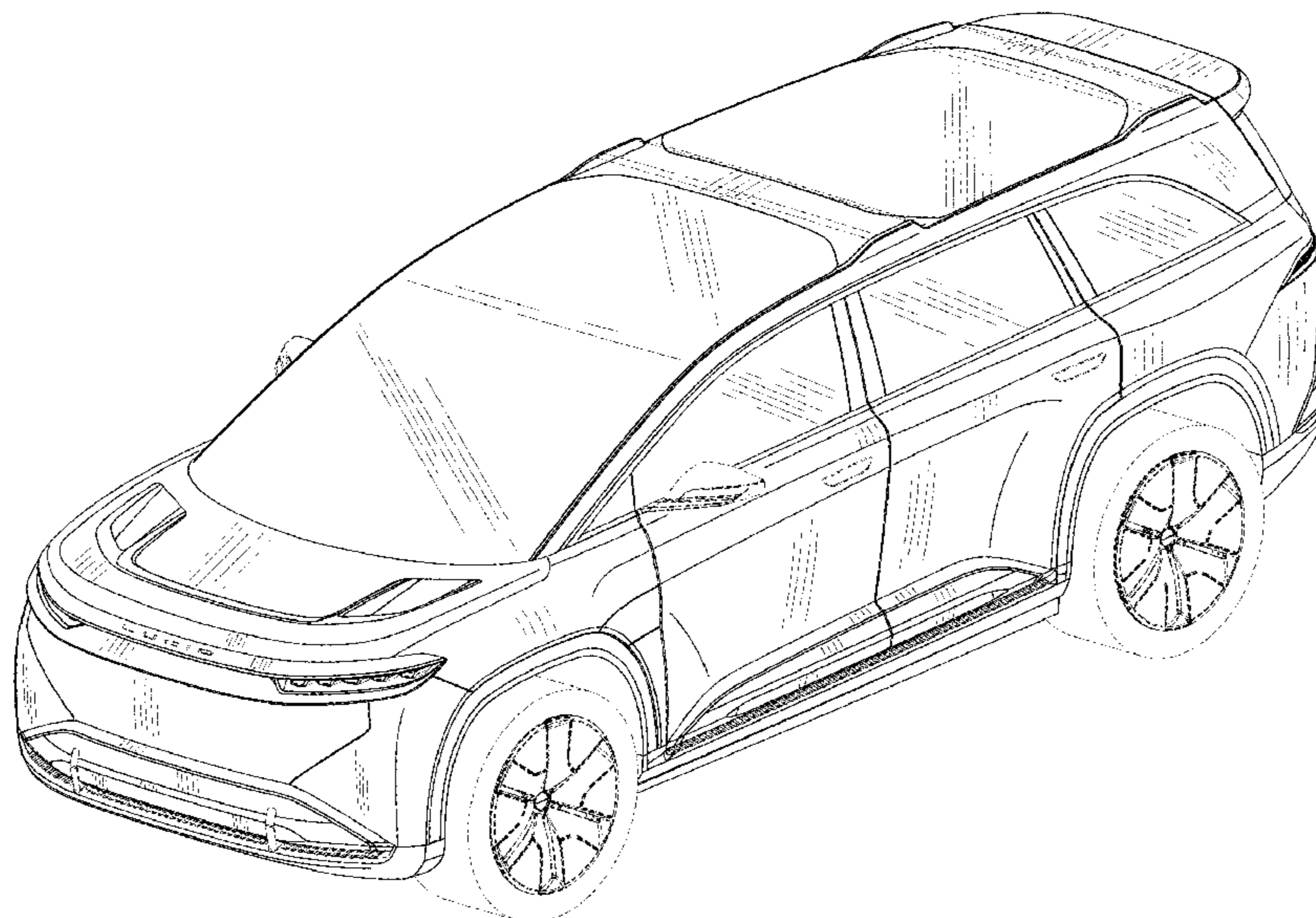
(57) **CLAIM**

The ornamental design for an automotive vehicle body, toy vehicle body replica and/or other replica, as shown and described.

**DESCRIPTION**

FIG. 1 is a top, front and side perspective view of an automotive vehicle body, toy vehicle body replica and/or other replica showing our new design;  
FIG. 2 is a top, rear and side perspective view thereof;  
FIG. 3 is a side elevational view thereof;  
FIG. 4 is a top plan view thereof;  
FIG. 5 is a front elevational view thereof;  
FIG. 6 is a rear elevational view thereof;  
FIG. 7 is an opposite side elevational view thereof;  
FIG. 8 is a bottom plan view thereof;  
FIG. 9 is an enlarged fragmentary front elevational view thereof, taken along line 9-9 in FIG. 5;  
FIG. 10 is an enlarged fragmentary rear elevational view thereof, taken along line 10-10 in FIG. 6; and,  
FIG. 11 is an enlarged fragmentary side elevational view thereof, taken along line 11-11 in FIG. 7.  
The portions of the automotive vehicle and the trademark "LUCID" shown in broken lines throughout the drawing views are for illustrative and environmental purposes and form no part of the claimed design.

**1 Claim, 10 Drawing Sheets**



(56)

**References Cited**

OTHER PUBLICATIONS

Photo of Chevrolet Blazer (offered for sale or published prior to Jun. 2020).

Polestar 2 exterior, shown and discussed in Instagram post (published Aug. 10, 2019).

R. Moore, Lucid Motors Air™ prototype vehicle review article; TopSpeed (published Aug. 25, 2017).

M. Sutton, "2019 Ford Edge ST is No Quicker than the Old Sport Model," Car and Driver (published Nov. 28, 2018).

\* cited by examiner

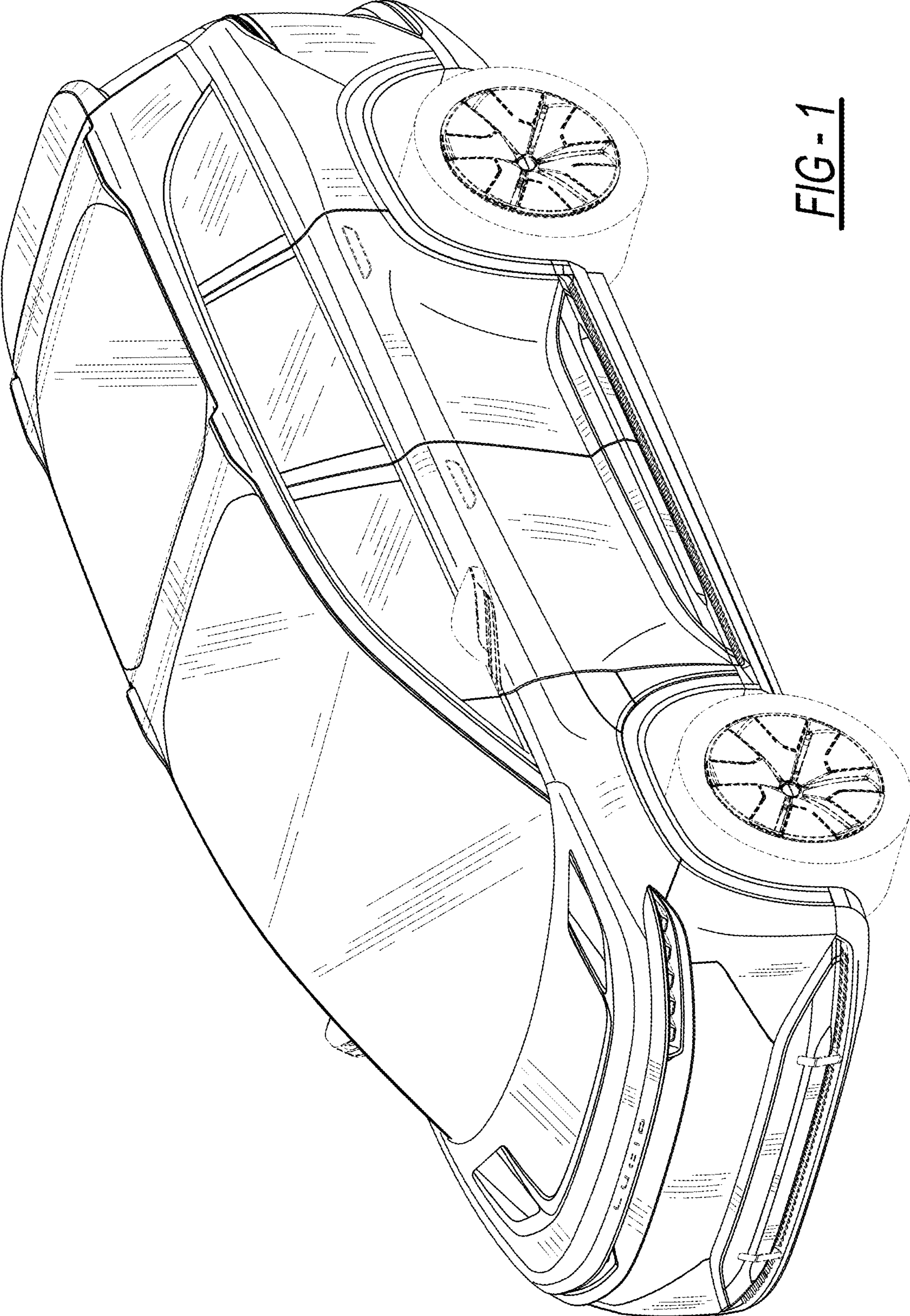


FIG - 1

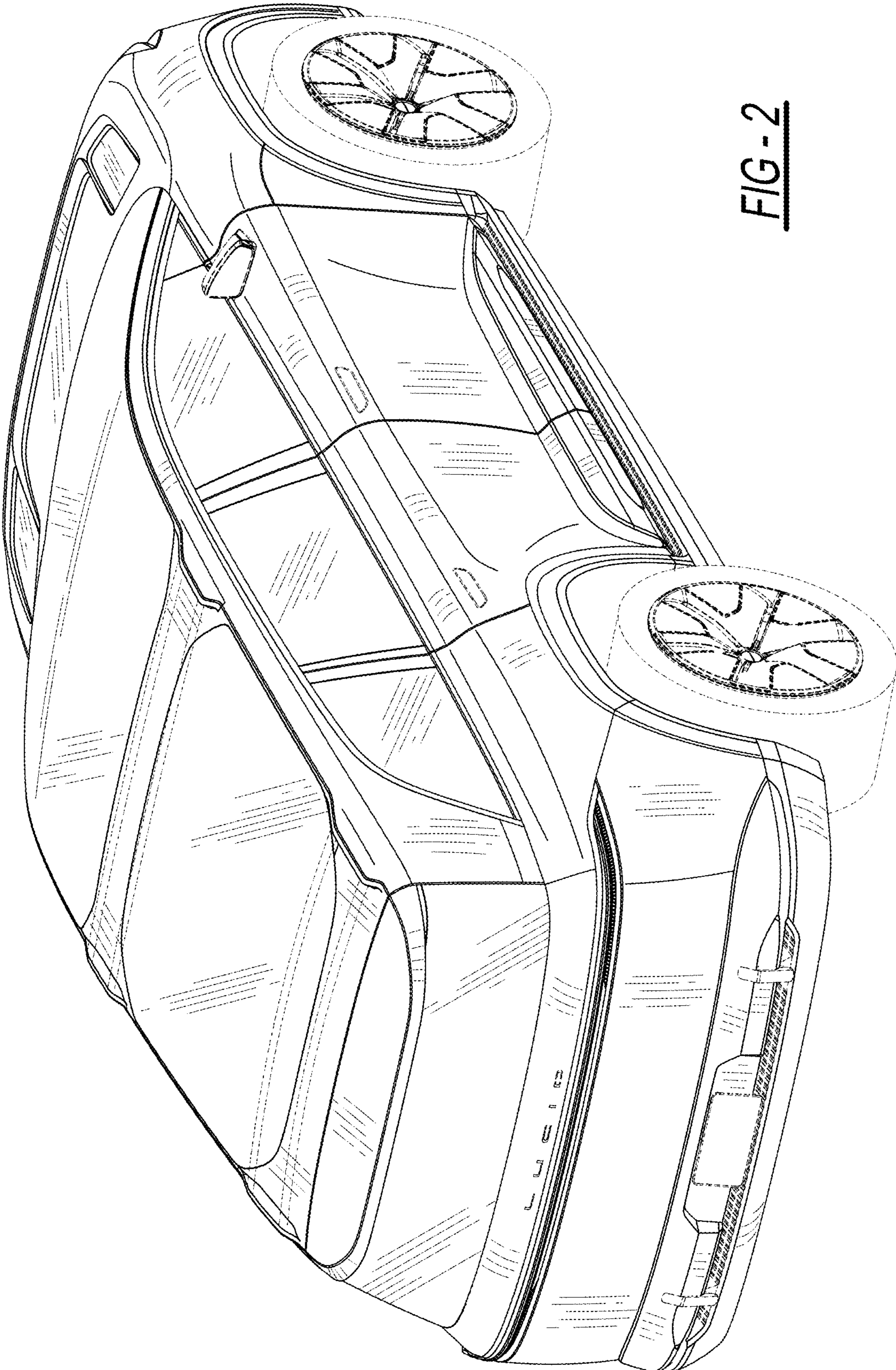


FIG - 2

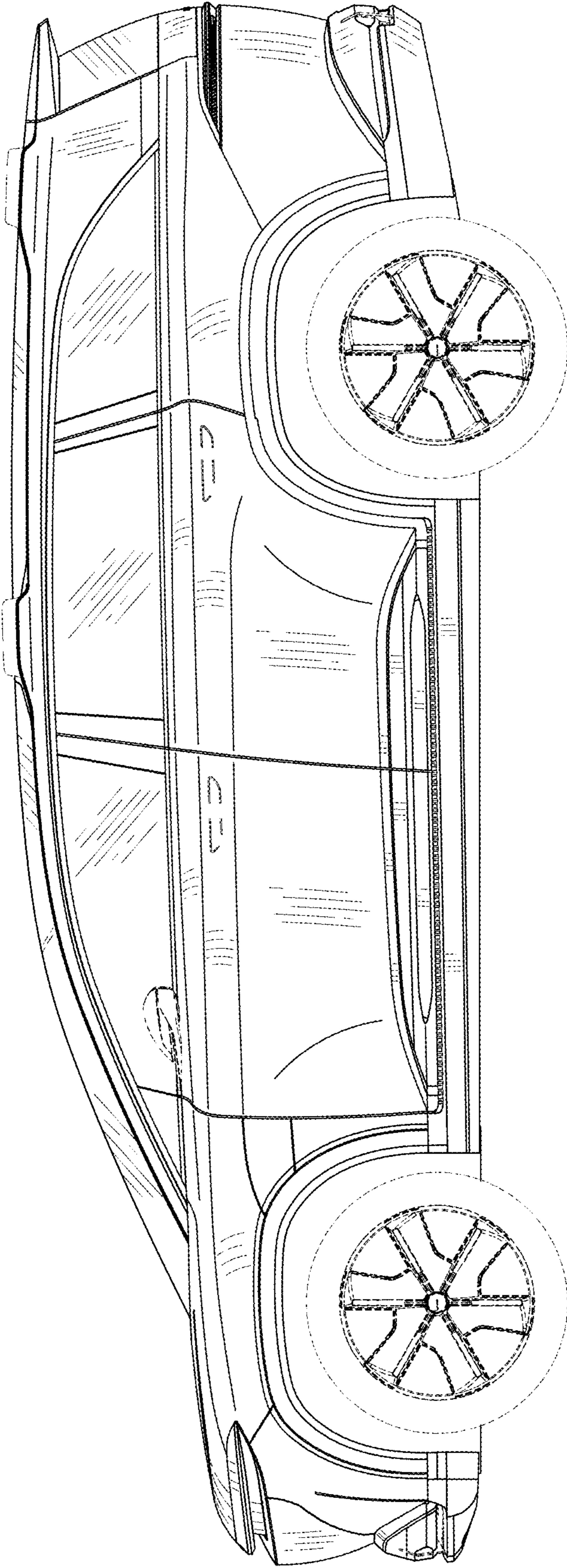


FIG - 3

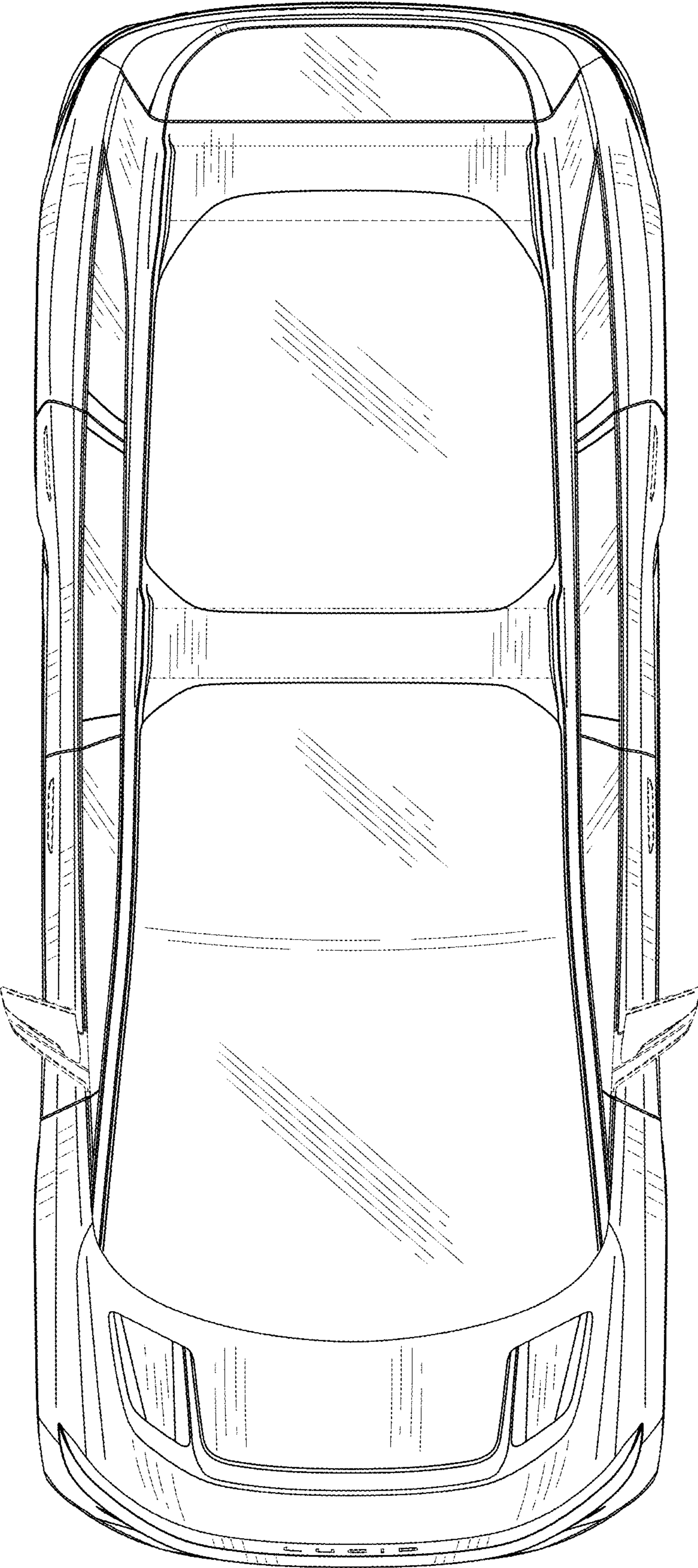


FIG - 4

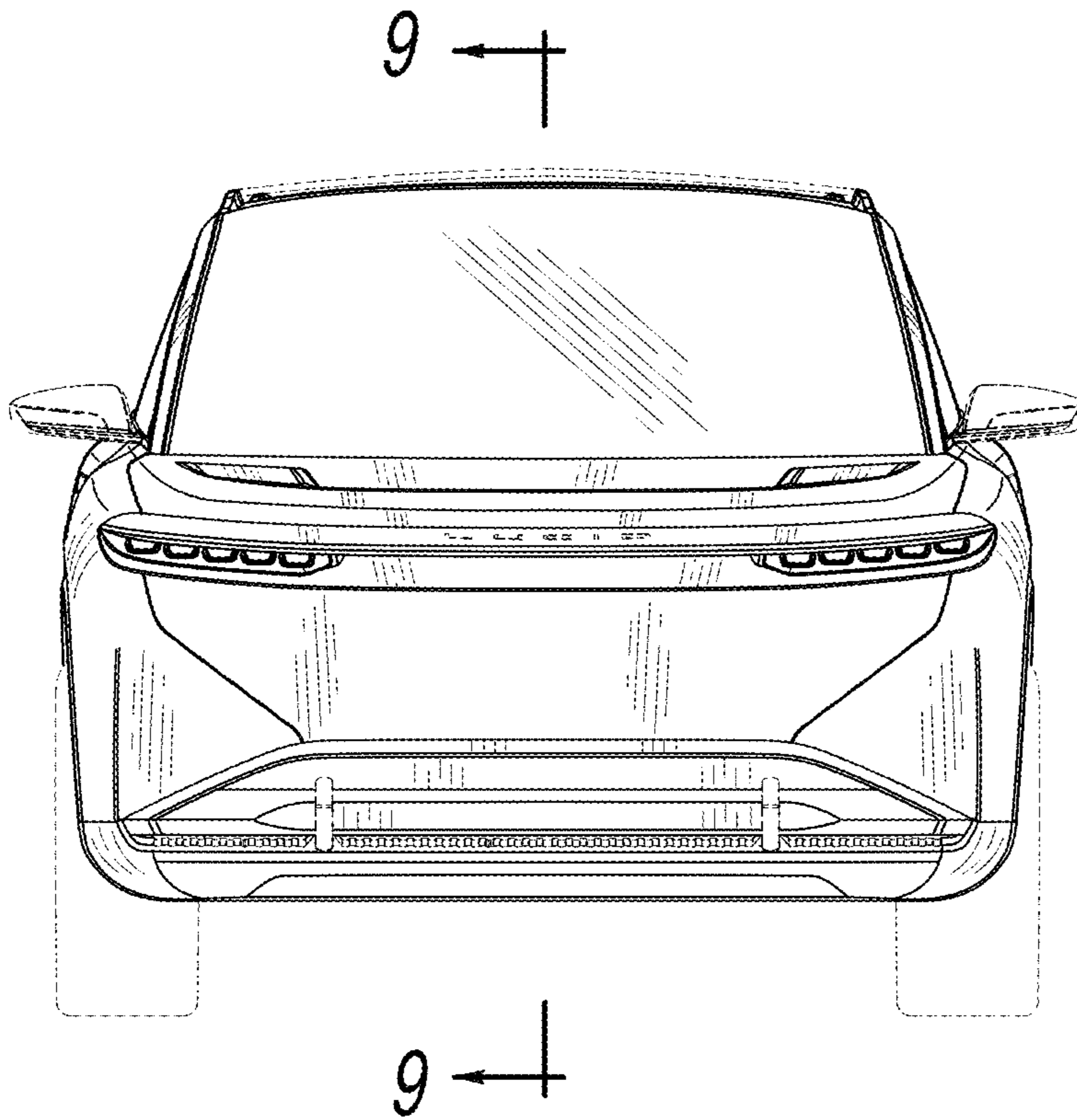


FIG - 5

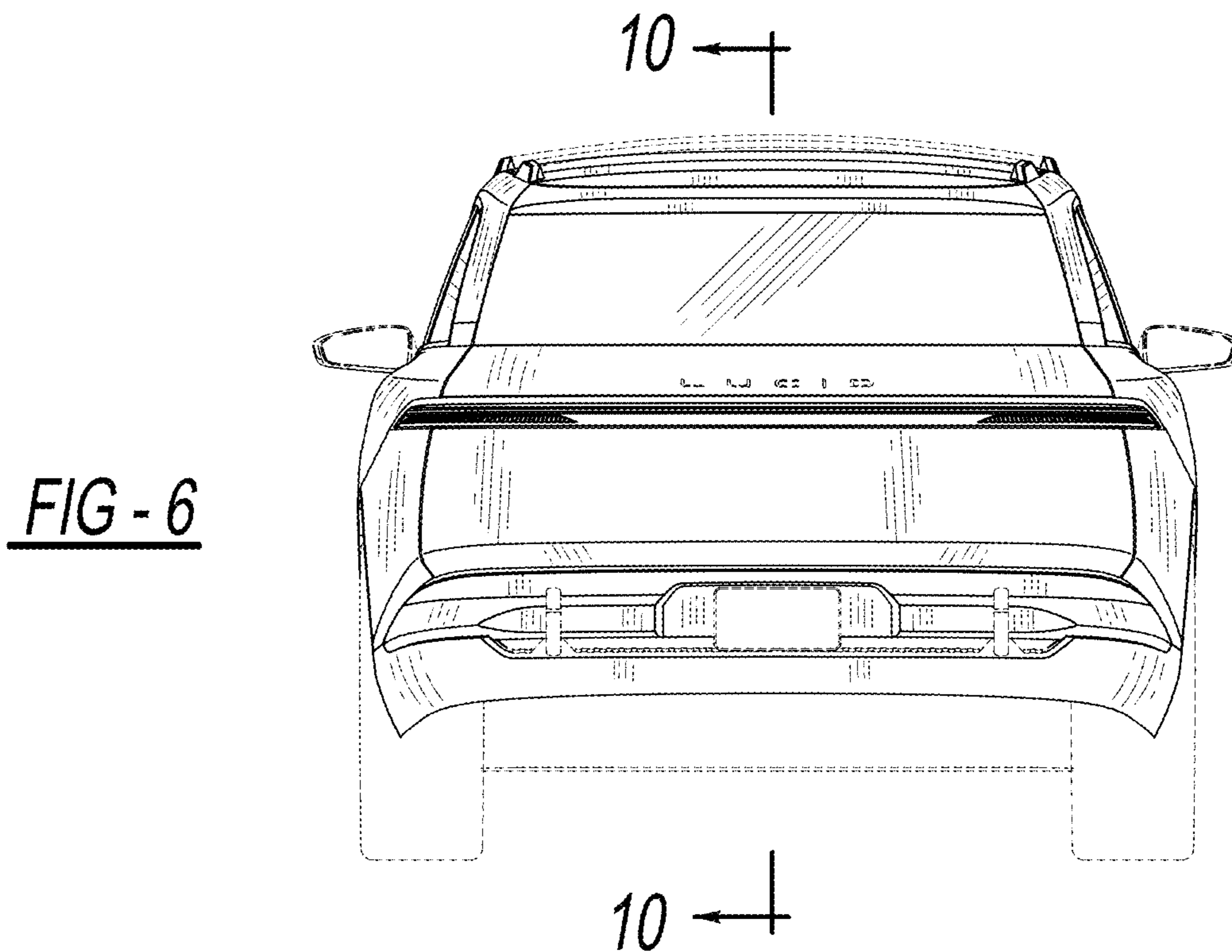


FIG - 6

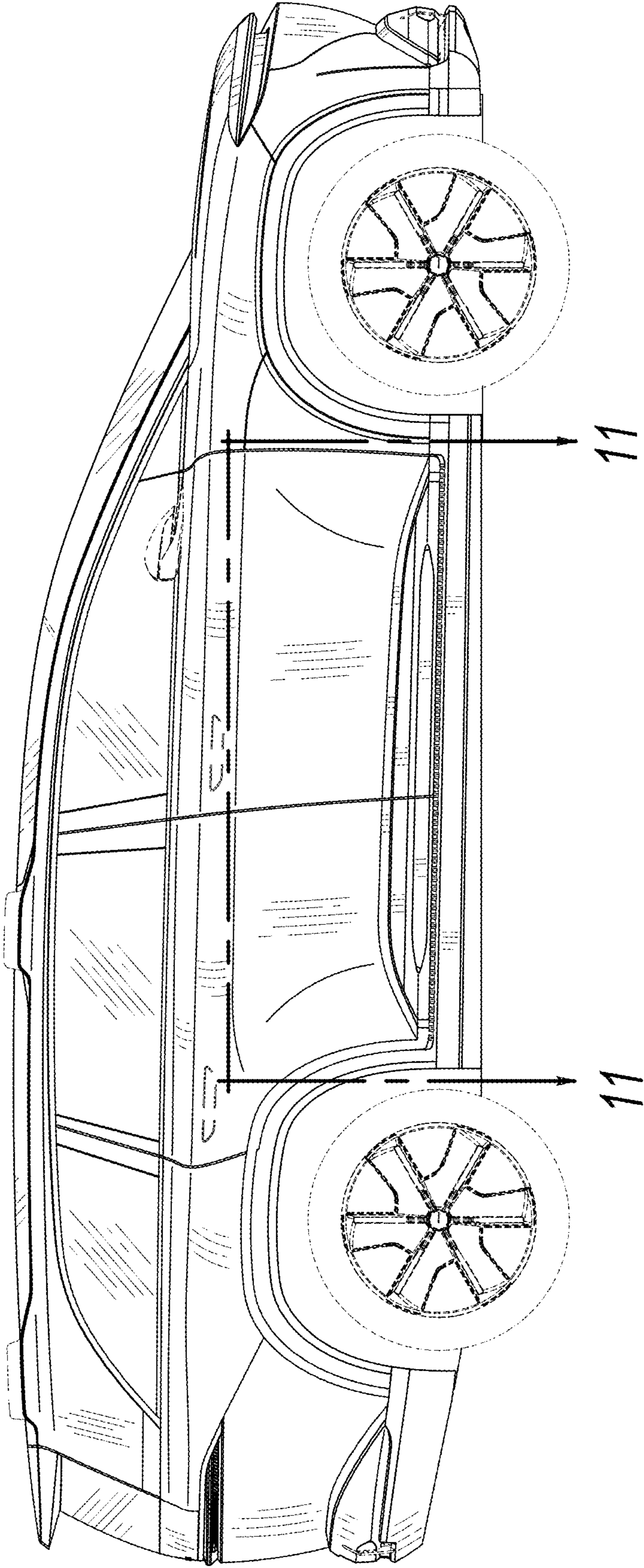


FIG-7



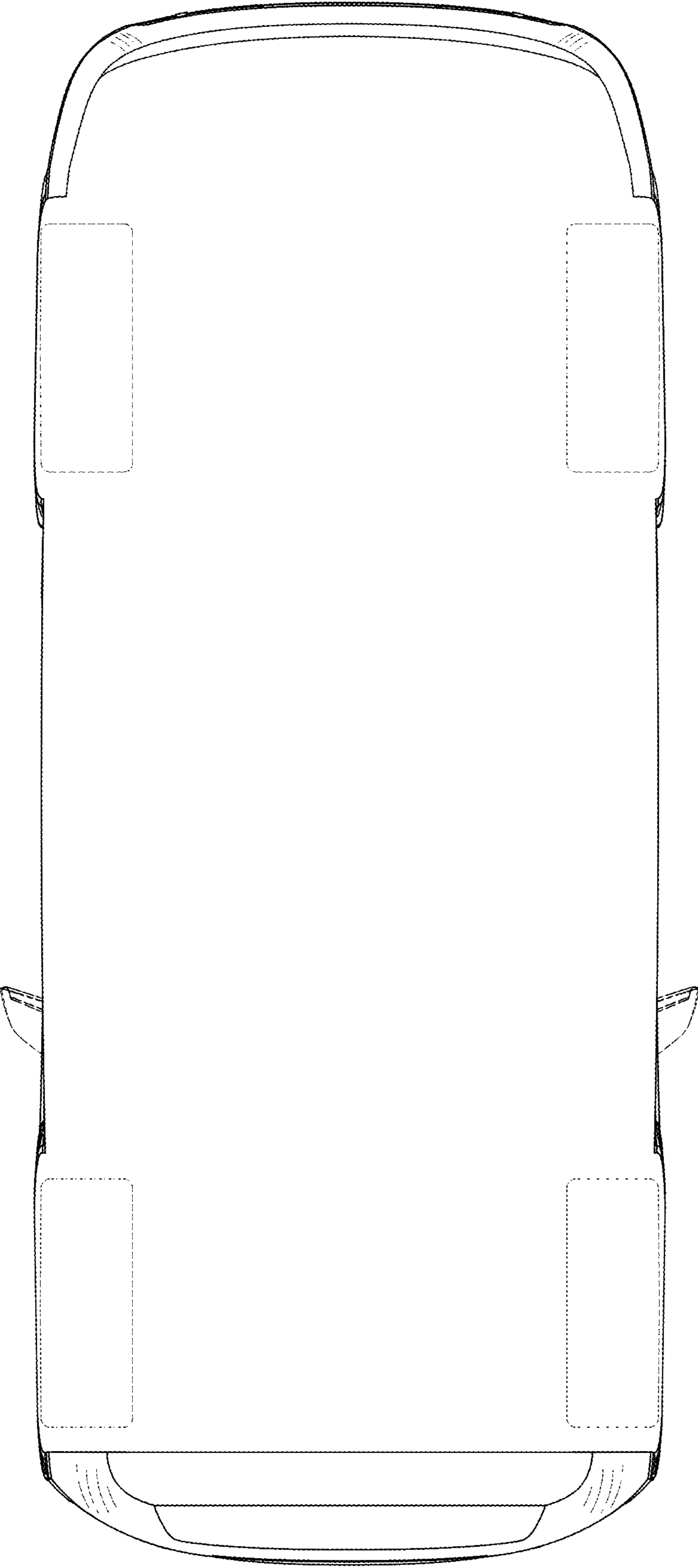


FIG - 8

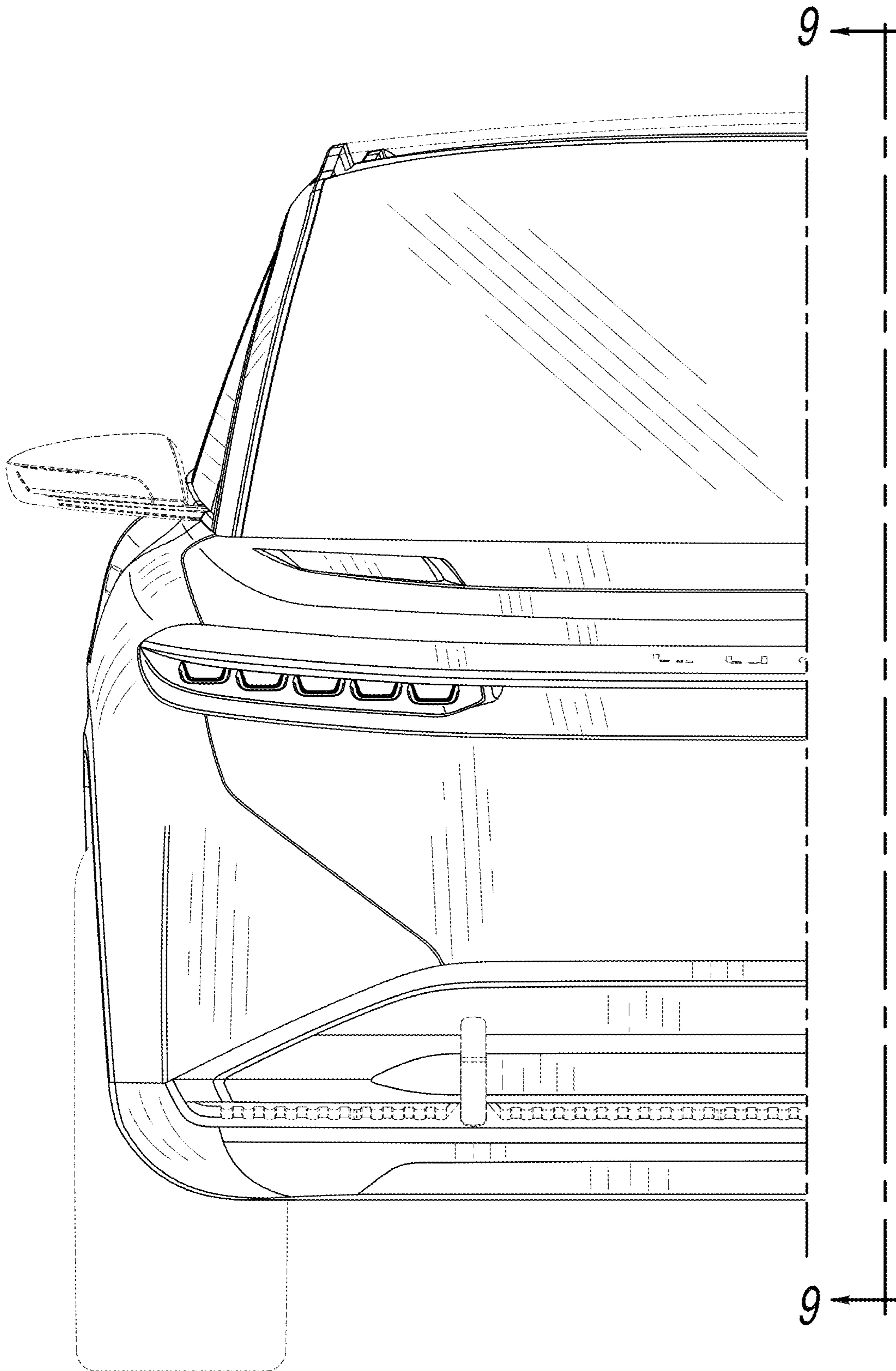


FIG - 9

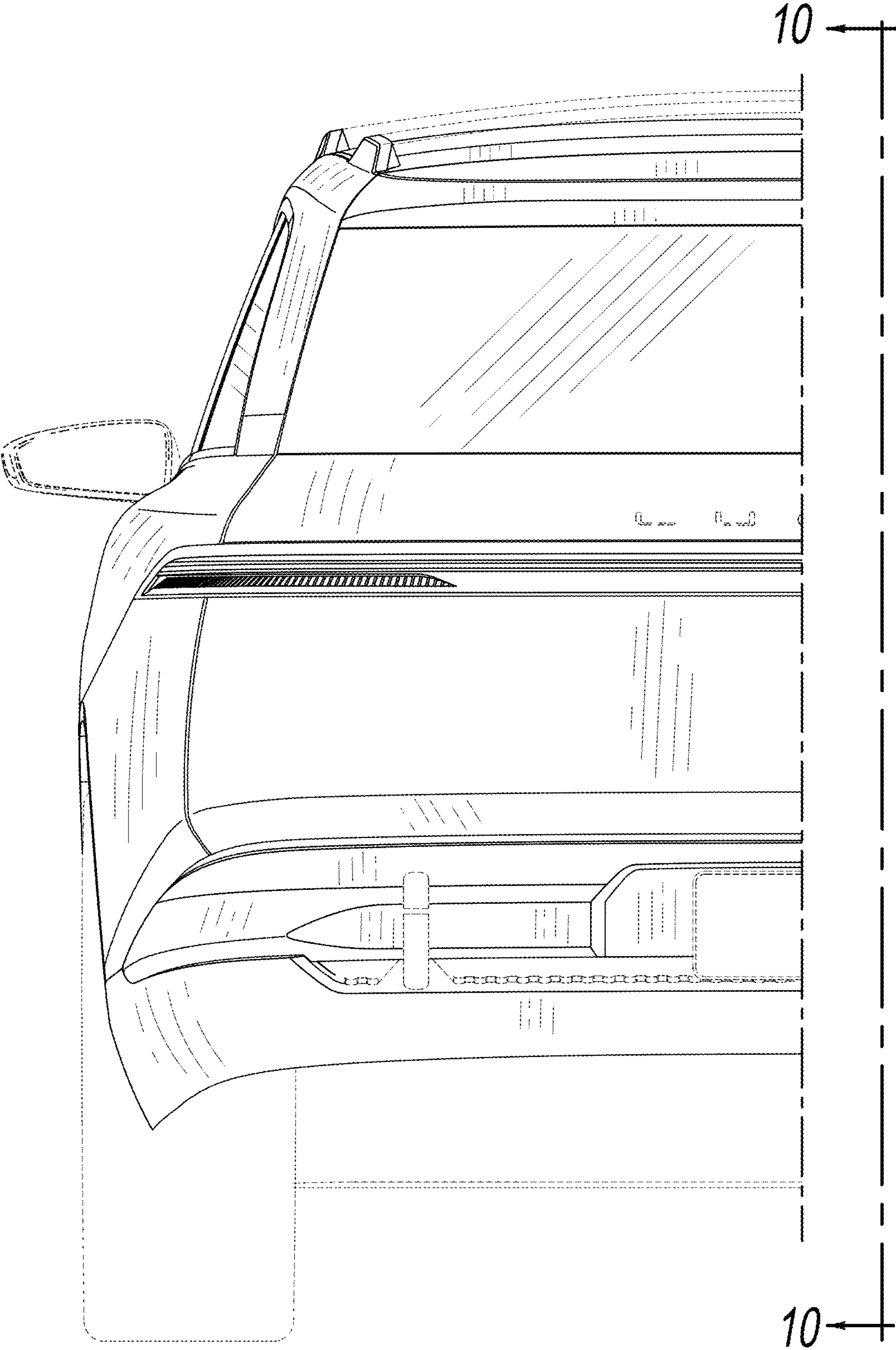


FIG - 10

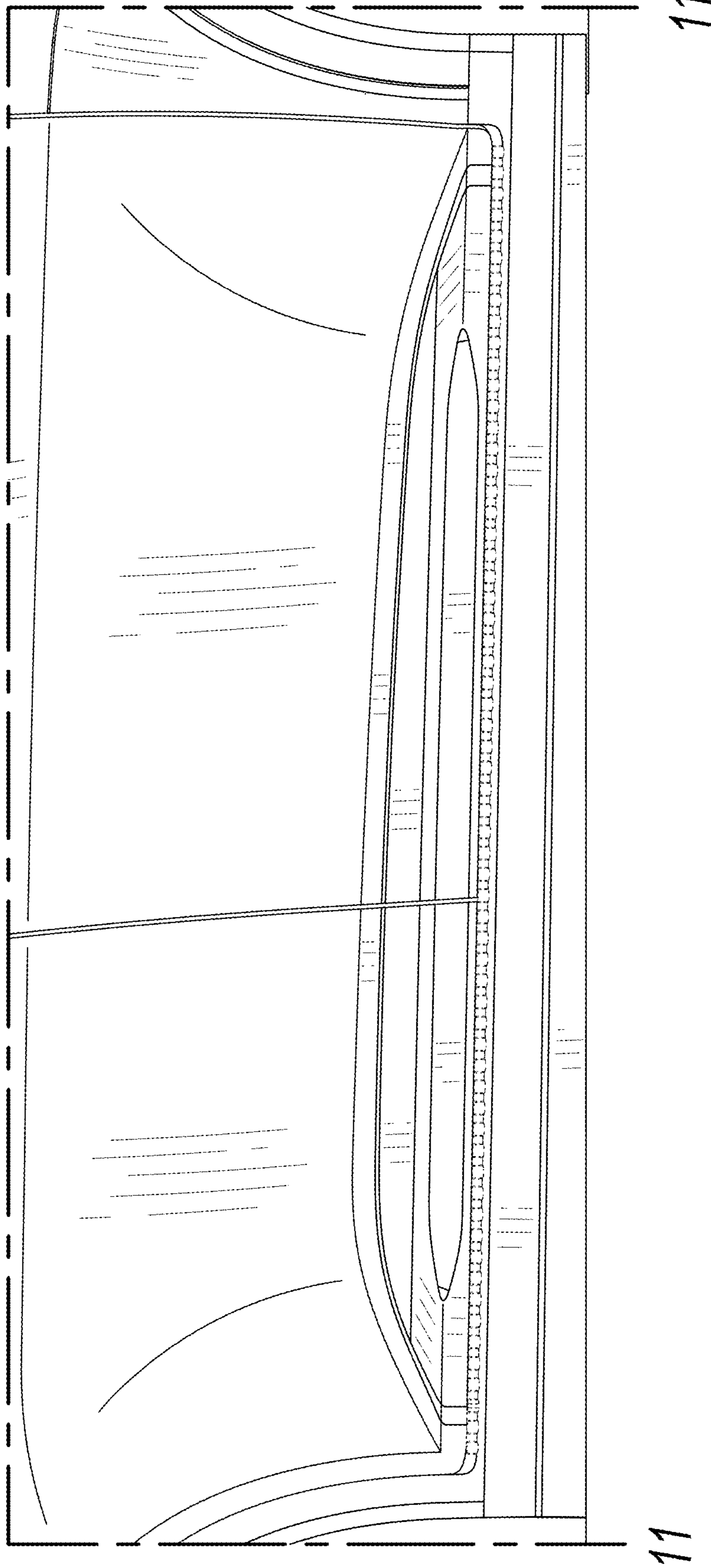


FIG-11