



US00D974958S

(12) **United States Design Patent**  
**Natsume et al.**

(10) **Patent No.:** **US D974,958 S**  
(45) **Date of Patent:** **\*\* Jan. 10, 2023**

(54) **MOBILE ACCESSORY WITH CAMERAS**

(71) Applicant: **Magic Leap, Inc.**, Plantation, FL (US)

(72) Inventors: **Shigeru Natsume**, Weston, FL (US);  
**Sebastian Gonzalo Arrieta Gunther**,  
Fort Lauderdale, FL (US); **Haney**  
**Awad**, Fort Lauderdale, FL (US);  
**Bryson John Green Mercer**, Miami,  
FL (US)

(73) Assignee: **Magic Leap, Inc.**, Plantation, FL (US)

(\*\*) Term: **15 Years**

(21) Appl. No.: **29/717,189**

(22) Filed: **Dec. 16, 2019**

(51) **LOC (14) Cl.** ..... **12-07**

(52) **U.S. Cl.**  
USPC ..... **D12/16.1**  
CPC ..... **B64C 29/00** (2013.01)

(58) **Field of Classification Search**  
USPC ..... D12/1-4, 16.1, 214, 319-345;  
D21/436-454  
CPC ..... B64C 29/0025; B64C 2201/108; B64C  
2201/048; B64C 2201/088; B64C 29/00;  
B64C 29/0058; B64C 39/001; B64C  
39/024; B64C 2201/141; B64C 2201/127;  
B64C 2201/128; B64C 2201/042; B64C  
2201/143

See application file for complete search history.

(56) **References Cited**

**U.S. PATENT DOCUMENTS**

D745,435 S	*	12/2015	Park	.....	D21/441
D760,624 S	*	7/2016	Balaresque	.....	D12/16.1
D761,690 S	*	7/2016	Friesmuth	.....	D12/16.1
D780,062 S	*	2/2017	Wu	.....	D21/441
D787,373 S	*	5/2017	Ketcher	.....	D12/16.1
D798,794 S	*	10/2017	Fenny	.....	D21/441
D798,795 S	*	10/2017	Fenny	.....	D21/441
D803,097 S	*	11/2017	Wang	.....	D12/16.1

D820,768 S	*	6/2018	Wang	.....	D12/328
D830,228 S	*	10/2018	Grassi	.....	D12/16.1
D885,301 S	*	5/2020	Luo	.....	D12/328
D916,623 S	*	4/2021	LeGrand, III	.....	D12/319
D917,340 S	*	4/2021	Welsh	.....	D12/319

(Continued)

**FOREIGN PATENT DOCUMENTS**

KR 301028125.0000 \* 10/2019

**OTHER PUBLICATIONS**

Drones Staff. "Low-Cost, Beginner Drone: Revell Nano Hexagon"  
Posted: Feb. 4, 2016 [visited: Mar. 15, 2022] Drones URL: <http://www.thedronesmag.com/low-cost-beginner-drone-revell-nano-hexagon/> (Year: 2016).\*

(Continued)

*Primary Examiner* — Richard E Chilcot

(74) *Attorney, Agent, or Firm* — Fish & Richardson P.C.

(57) **CLAIM**

The ornamental design for mobile accessory with cameras,  
as shown and described.

**DESCRIPTION**

FIG. 1 is a front perspective view of the mobile accessory  
with cameras.

FIG. 2 is a front view thereof.

FIG. 3 is a back perspective view thereof.

FIG. 4 is a left side view thereof.

FIG. 5 is a right side view thereof.

FIG. 6 is a top view thereof.

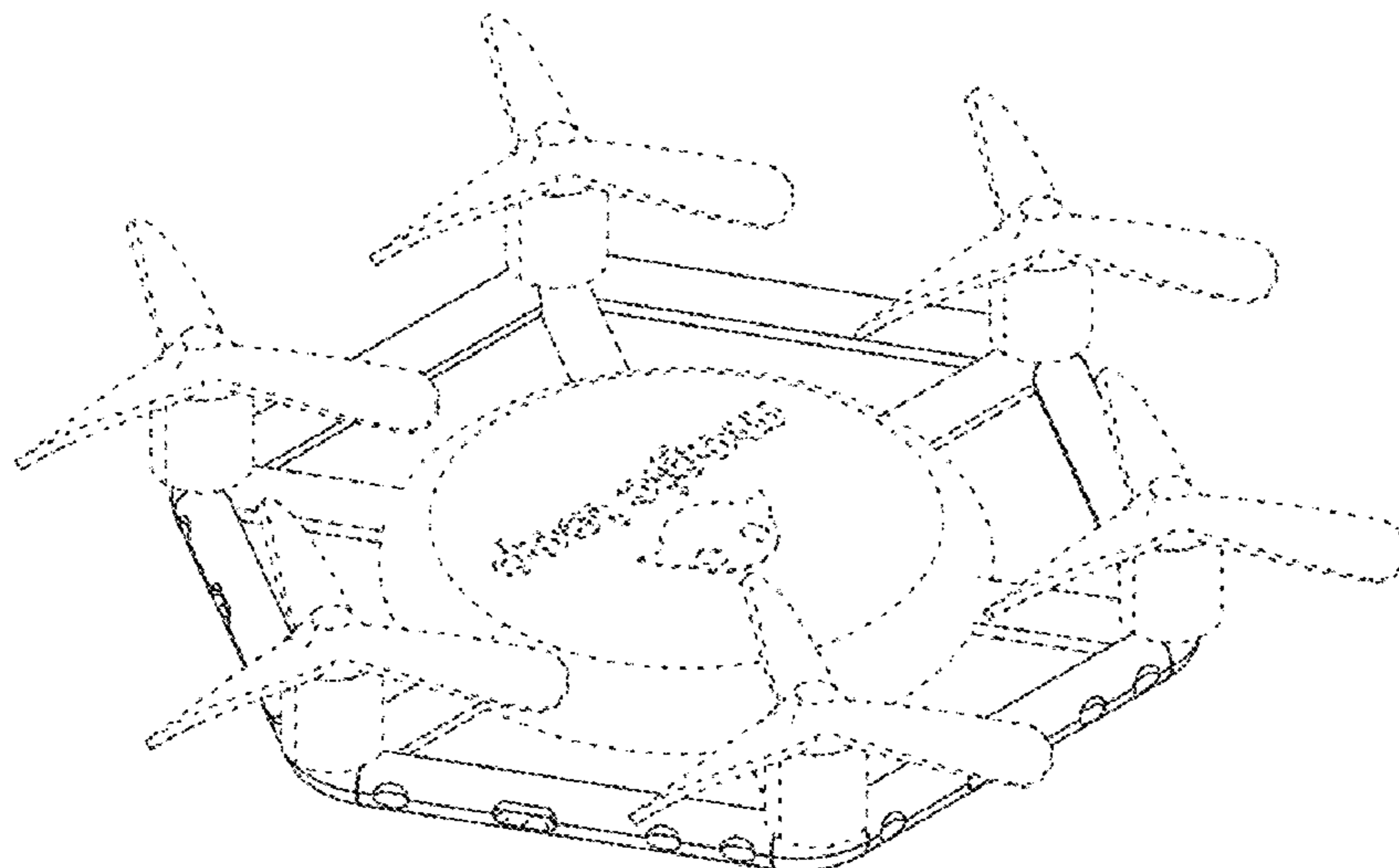
FIG. 7 is a bottom view thereof; and,

FIG. 8 is a bottom perspective view thereof.

In some implementations, the mobile accessory with cam-  
eras includes radial segments that intersect with a central  
rounded portion, as illustrated in FIGS. 1, 6, 7.

The broken lines illustrate portions of the mobile accessory  
with cameras that form no part of the claimed design.

**1 Claim, 5 Drawing Sheets**



(56)

**References Cited**

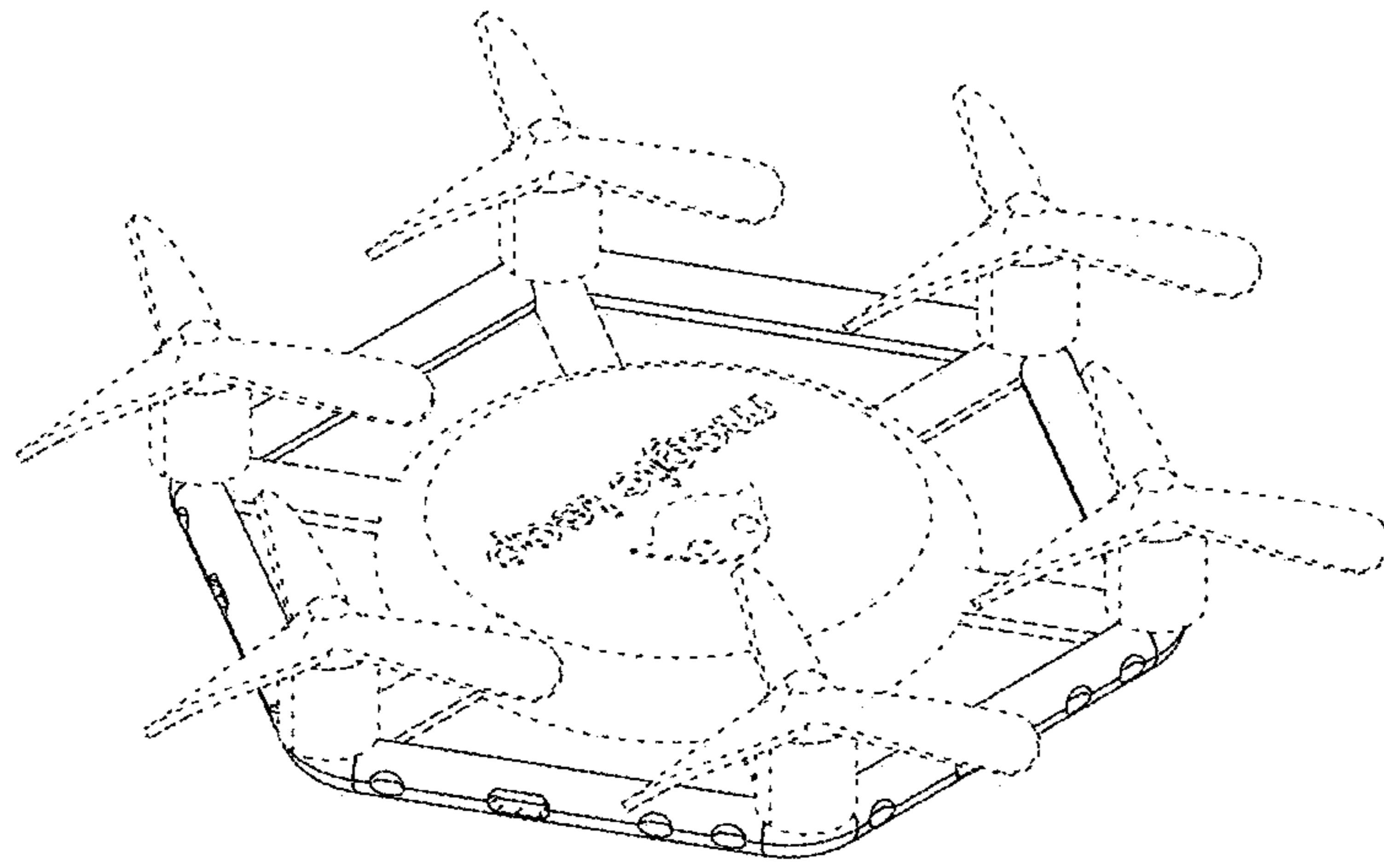
U.S. PATENT DOCUMENTS

D939,709 S \* 12/2021 Wingo ..... D24/161  
D942,921 S \* 2/2022 LeGrand, III ..... D12/319  
2017/0133771 A1\* 5/2017 Xiao ..... H01R 31/02  
2017/0144756 A1\* 5/2017 Rastgaar Aagaah .....  
B64C 39/024  
2017/0253332 A1\* 9/2017 Champagne, Jr. ... G05D 1/0858  
2017/0297707 A1\* 10/2017 Rollefstad ..... B64C 39/024  
2021/0067206 A1\* 3/2021 Williams ..... H04B 17/336  
2022/0063840 A1\* 3/2022 Gil ..... B64F 5/30

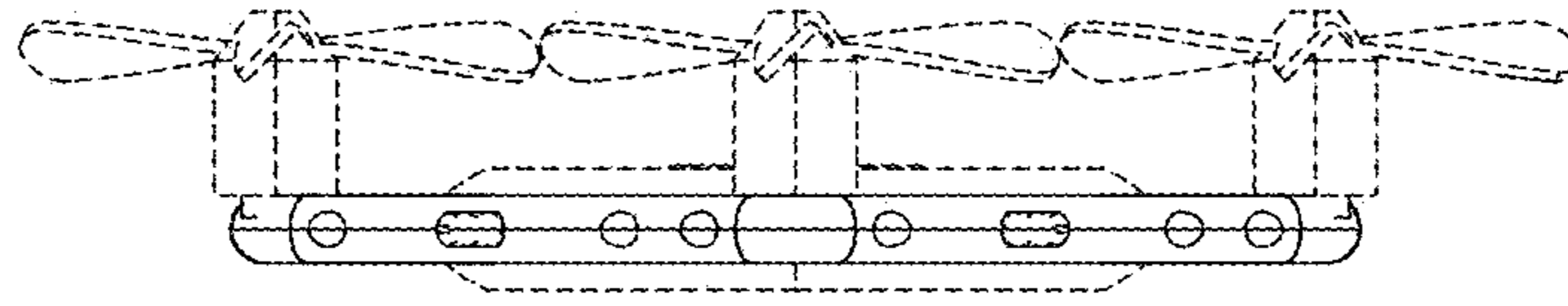
OTHER PUBLICATIONS

Makeblock. "Airblock: The Modular and Programmable Starter Drone" Posted: Oct. 18, 2016 [viewed: Mar. 15, 2022] Youtube URL: <https://www.youtube.com/watch?v=R4kLKcLAD8A> (Year: 2016).\*

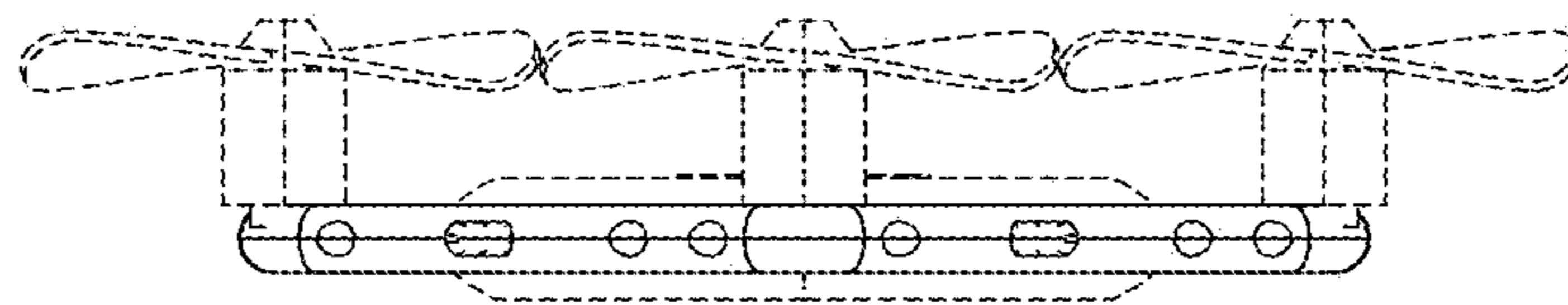
\* cited by examiner



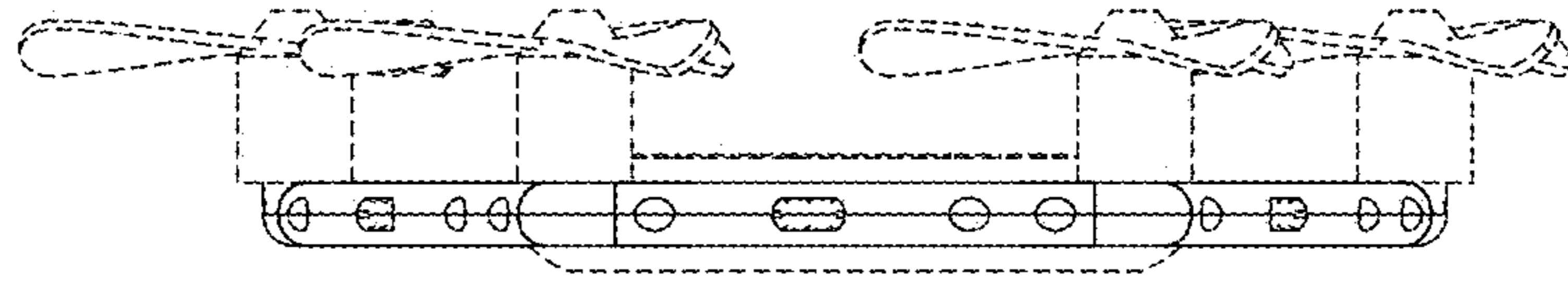
**FIG. 1**



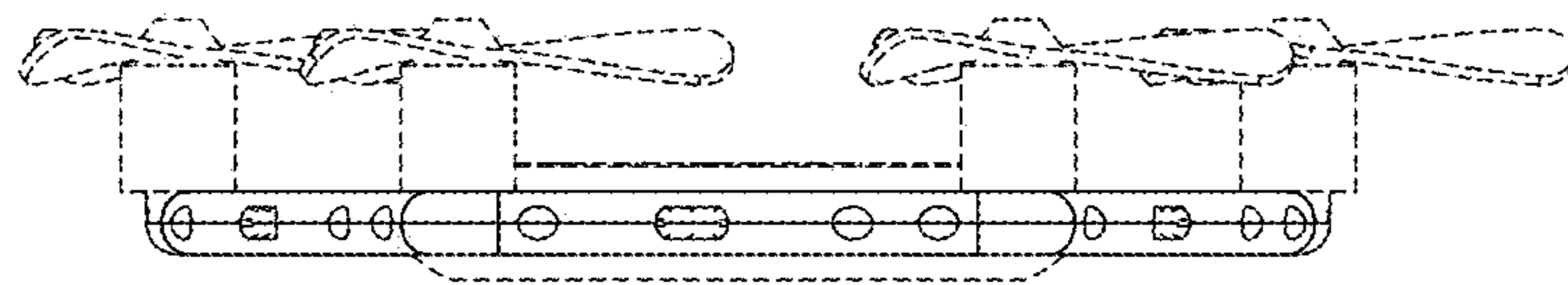
**FIG. 2**



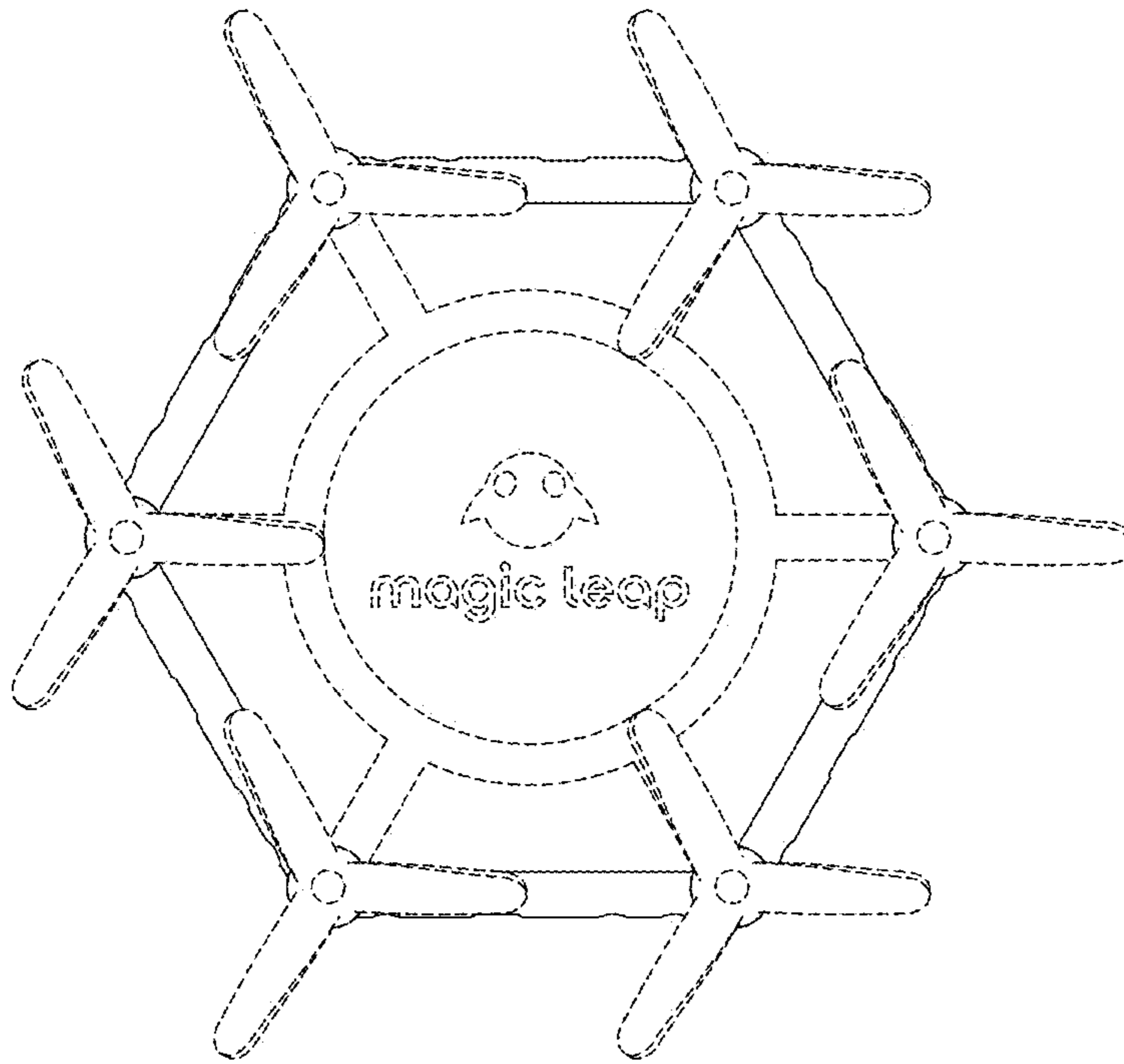
**FIG. 3**



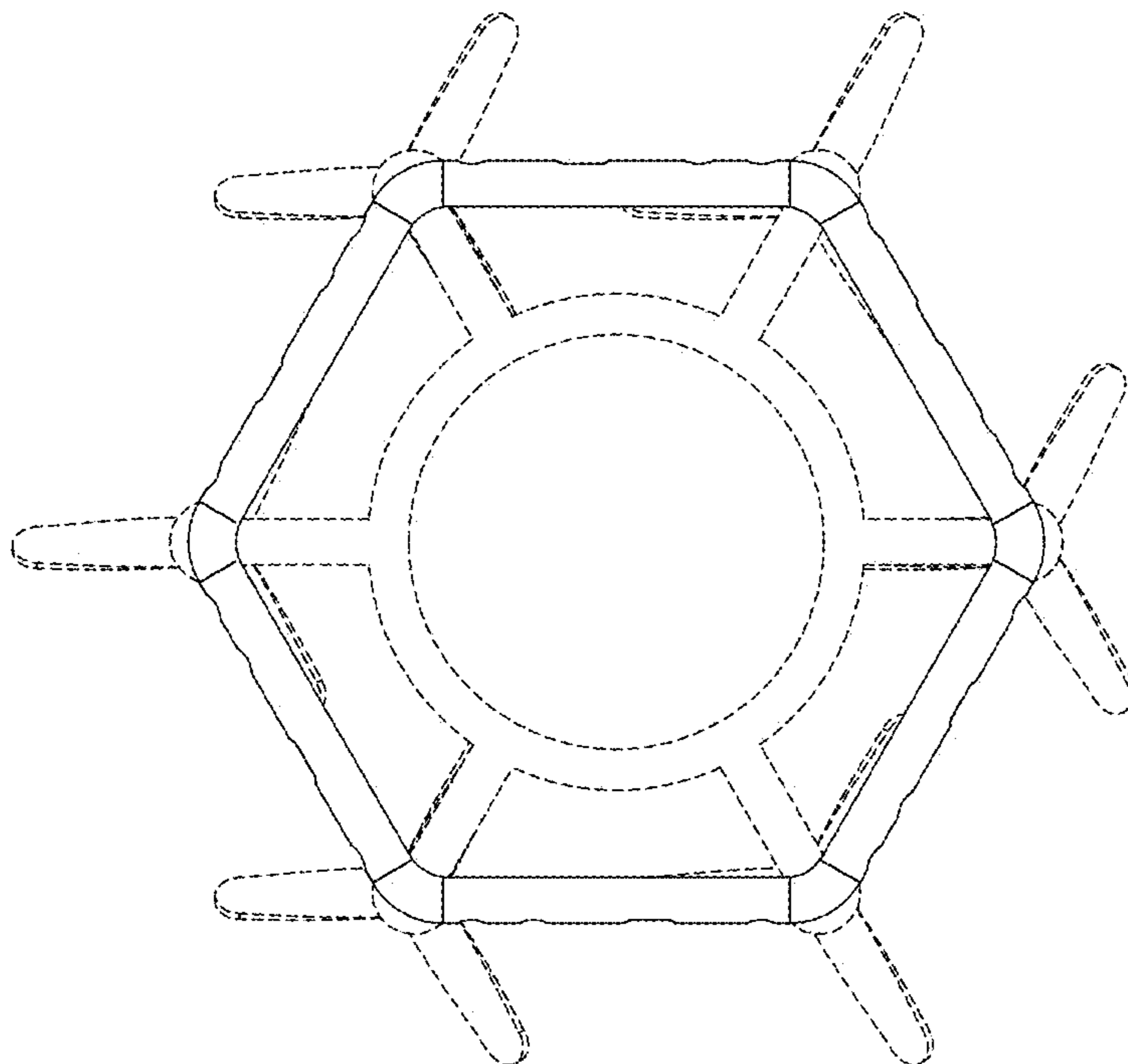
**FIG. 4**



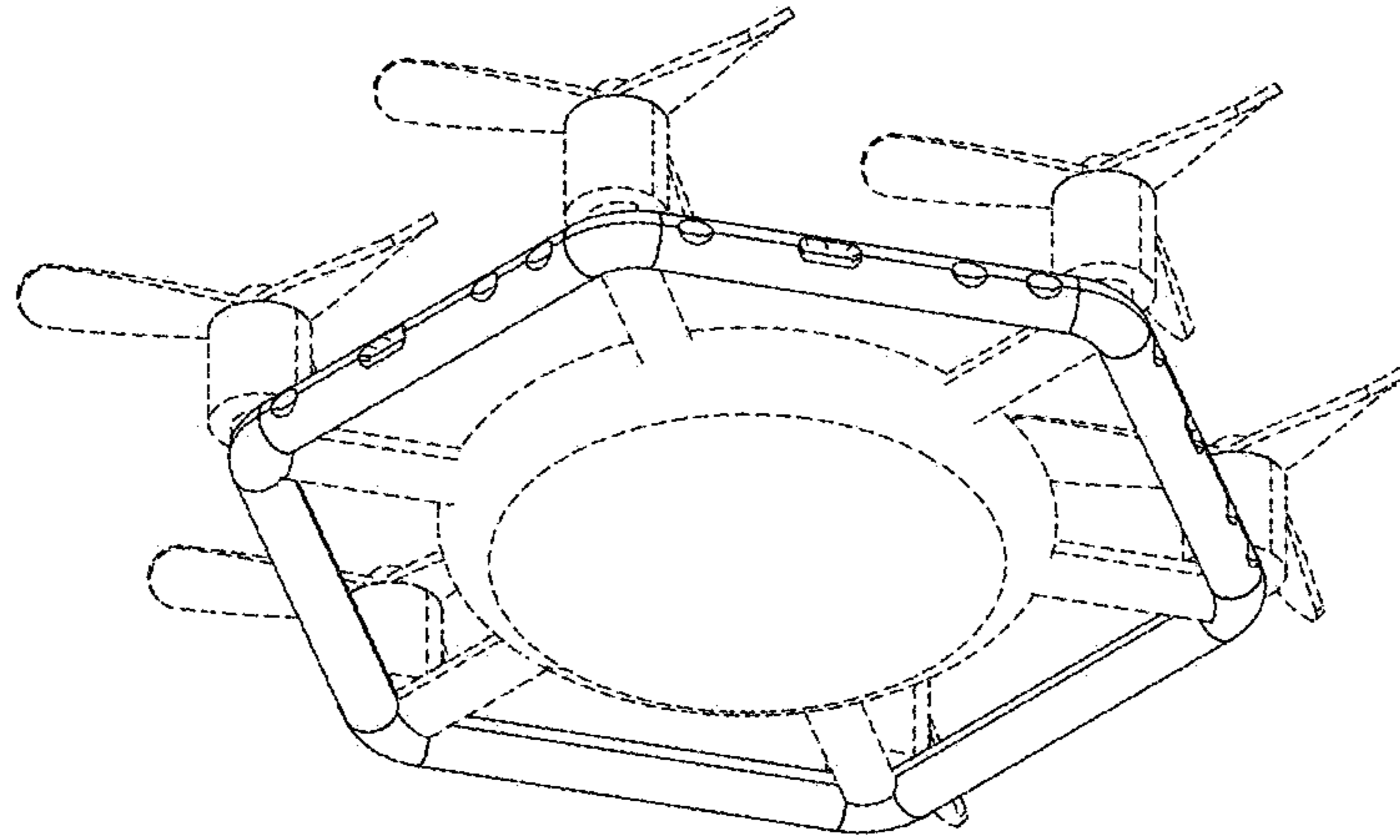
**FIG. 5**



**FIG. 6**



**FIG. 7**



**FIG. 8**