



US00D974956S

(12) **United States Design Patent**  
**Xiao**

(10) **Patent No.:** **US D974,956 S**

(45) **Date of Patent:** **\*\* Jan. 10, 2023**

(54) **VASE**

(71) Applicant: **Foshan Shunde Shundi Trading Co., Ltd.**, Guangdong (CN)

(72) Inventor: **Taiheng Xiao**, Guangdong (CN)

(73) Assignee: **Foshan Shunde Shundi Trading Co., Ltd.**, Guangdong (CN)

(\*\*) Term: **15 Years**

(21) Appl. No.: **29/818,207**

(22) Filed: **Dec. 7, 2021**

(51) **LOC (14) Cl.** ..... **11-02**

(52) **U.S. Cl.**  
USPC ..... **D11/155**

(58) **Field of Classification Search**  
USPC ..... D11/143, 144, 148, 152, 153; D21/499, D21/698; D14/204, 214  
CPC ..... A47G 7/041; A01G 9/028  
See application file for complete search history.

(56) **References Cited**

**U.S. PATENT DOCUMENTS**

D324,685 S *	3/1992	Strohbeen	.....	D14/210
D568,418 S *	5/2008	Webster	.....	D21/499
D643,969 S *	8/2011	Abate	.....	D26/118
D756,146 S *	5/2016	Green	.....	D6/518
D758,345 S *	6/2016	Fujioka	.....	D14/214
D815,950 S *	4/2018	Zhang	.....	D9/526
D849,860 S *	5/2019	Wallace	.....	D21/698

D858,830 S *	9/2019	Grandadam	.....	D26/37
D866,389 S	11/2019	Yamane		
D873,446 S *	1/2020	Zhu	.....	D26/26
D897,991 S *	10/2020	Gonzalez	.....	D14/214
D905,662 S *	12/2020	Gonzalez	.....	D14/214
D926,076 S	7/2021	Griffin		
D951,224 S *	5/2022	Siu	.....	D14/204
2015/0121755 A1 *	5/2015	Caird	.....	A01G 9/028 47/66.7

\* cited by examiner

*Primary Examiner* — S. Bryan Reinholdt, Jr.

(74) *Attorney, Agent, or Firm* — ScienBiziP, P.C.

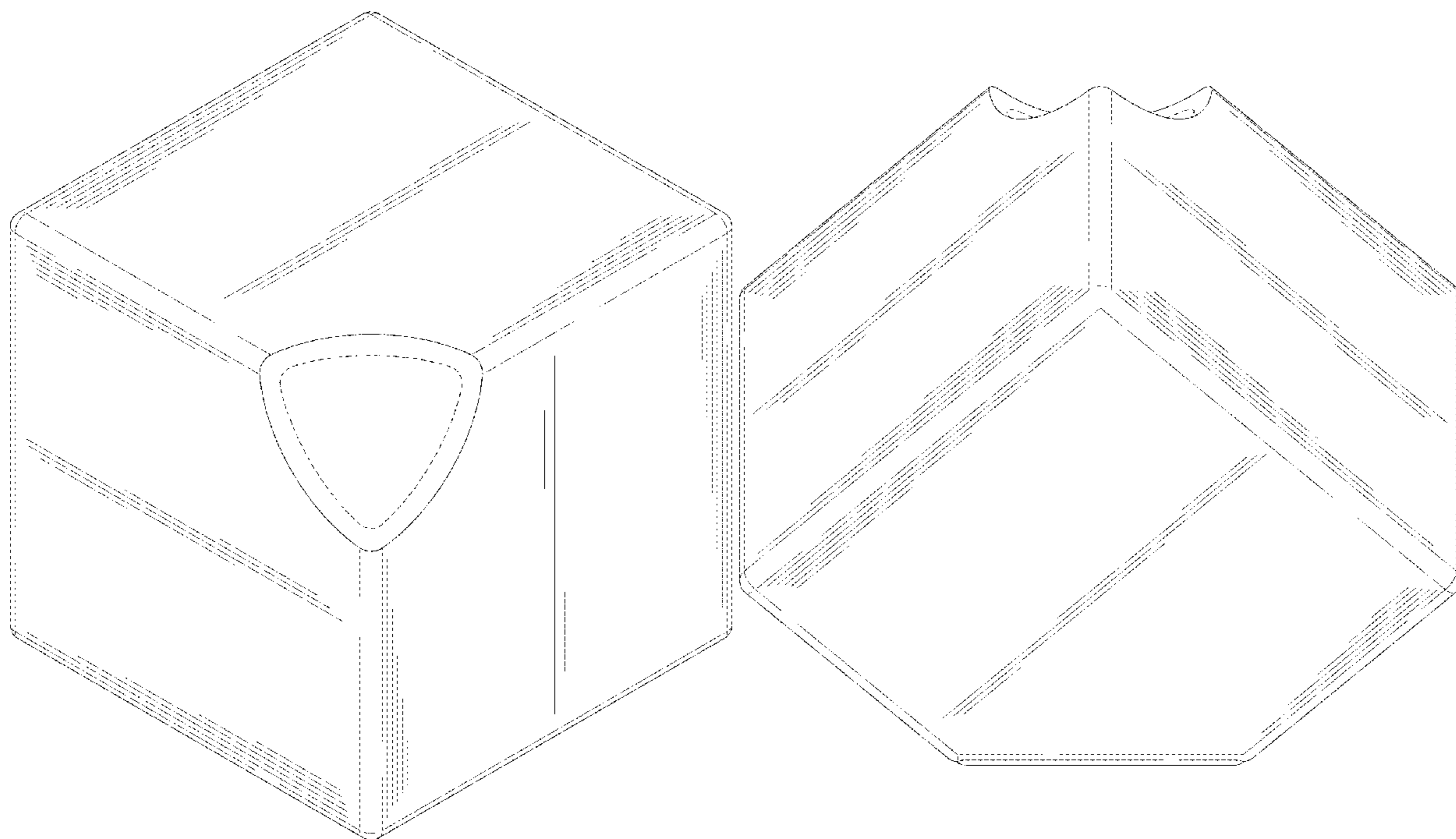
(57) **CLAIM**

The ornamental design for a vase, as shown and described.

**DESCRIPTION**

FIG. 1 is a front, right and top perspective view of a vase, showing my design.  
 FIG. 2 is a rear, left and bottom perspective view thereof.  
 FIG. 3 is a front elevation view thereof.  
 FIG. 4 is a rear elevation view thereof.  
 FIG. 5 is a left side elevation view thereof.  
 FIG. 6 is a right side elevation view thereof.  
 FIG. 7 is a top plan view thereof.  
 FIG. 8 is a bottom plan view thereof; and,  
 FIG. 9 is a front, right and bottom perspective view of the vase of FIG. 1 in a usable state.  
 The broken lines shown in the drawings are included for the purpose of illustrating portions of the vase that form no part of the claimed design.

**1 Claim, 9 Drawing Sheets**



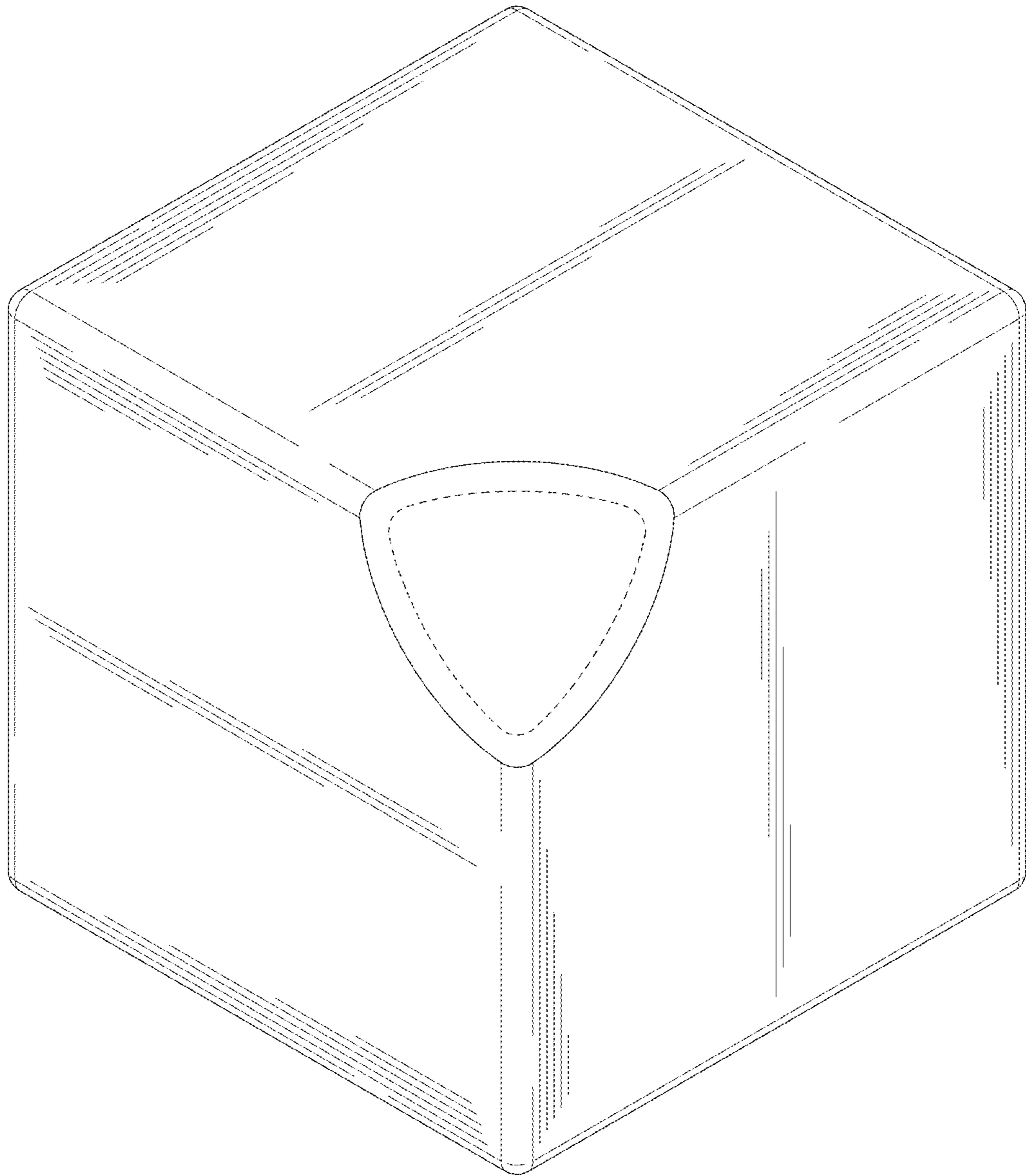


FIG. 1

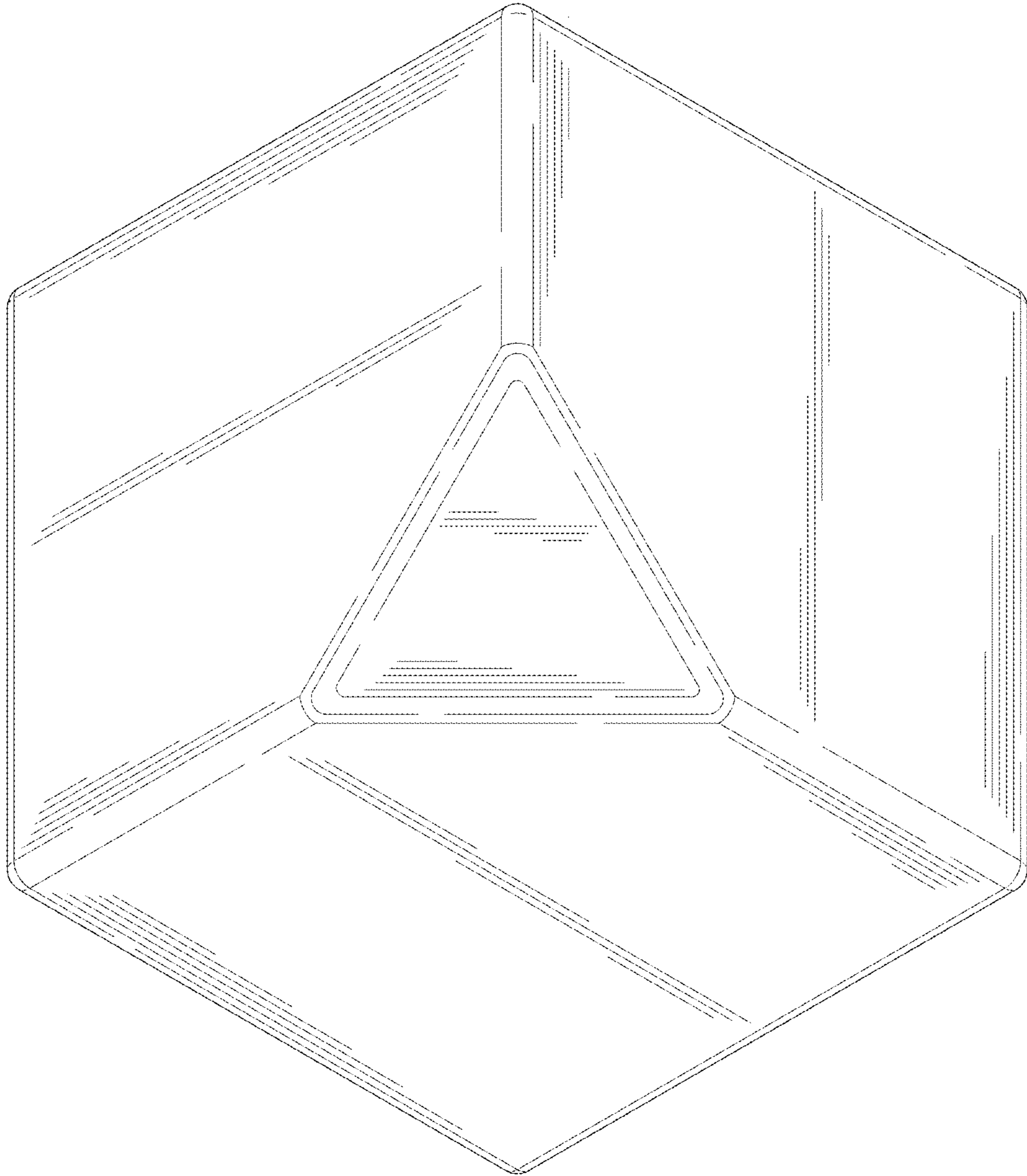


FIG. 2

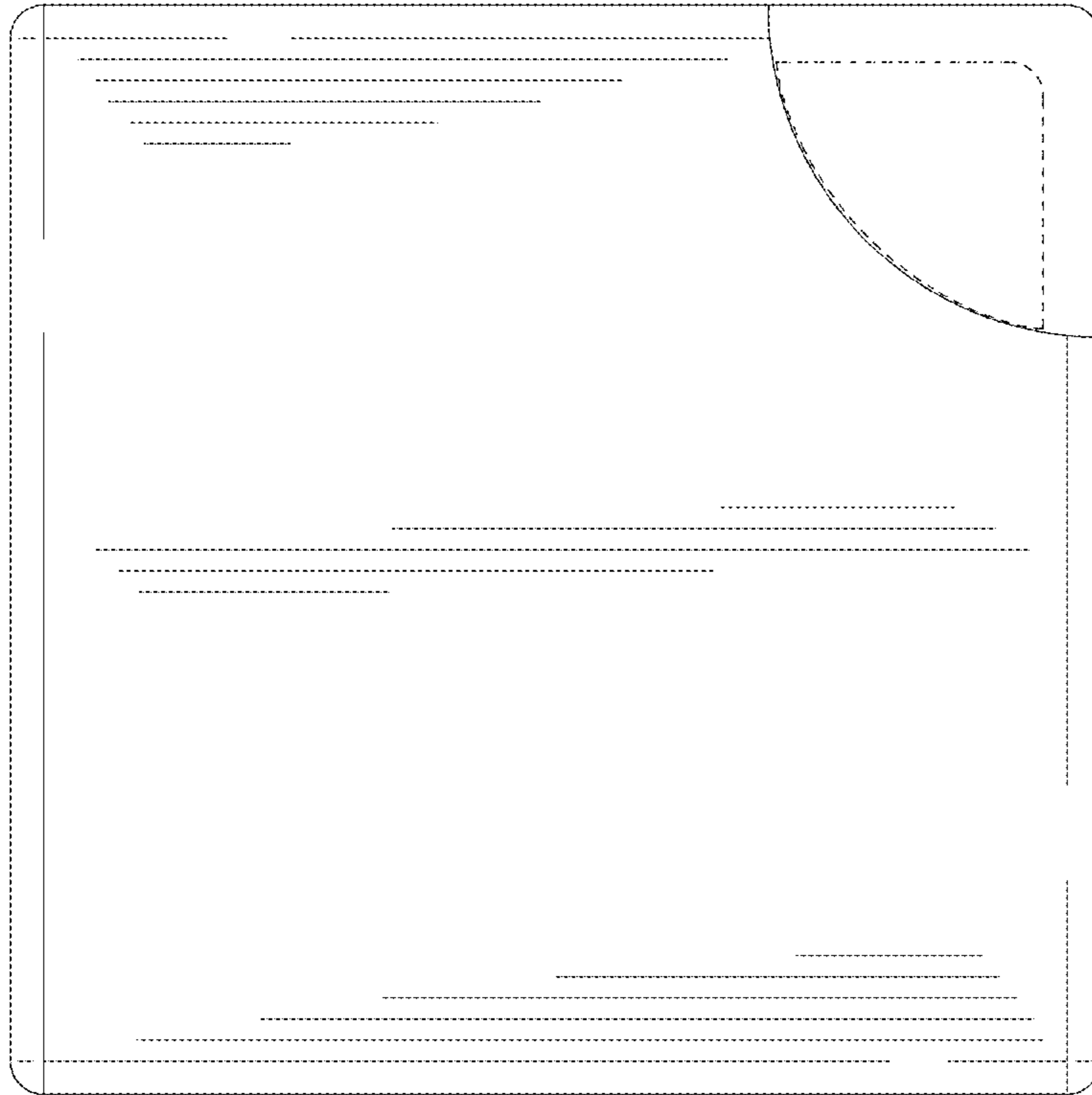


FIG. 3

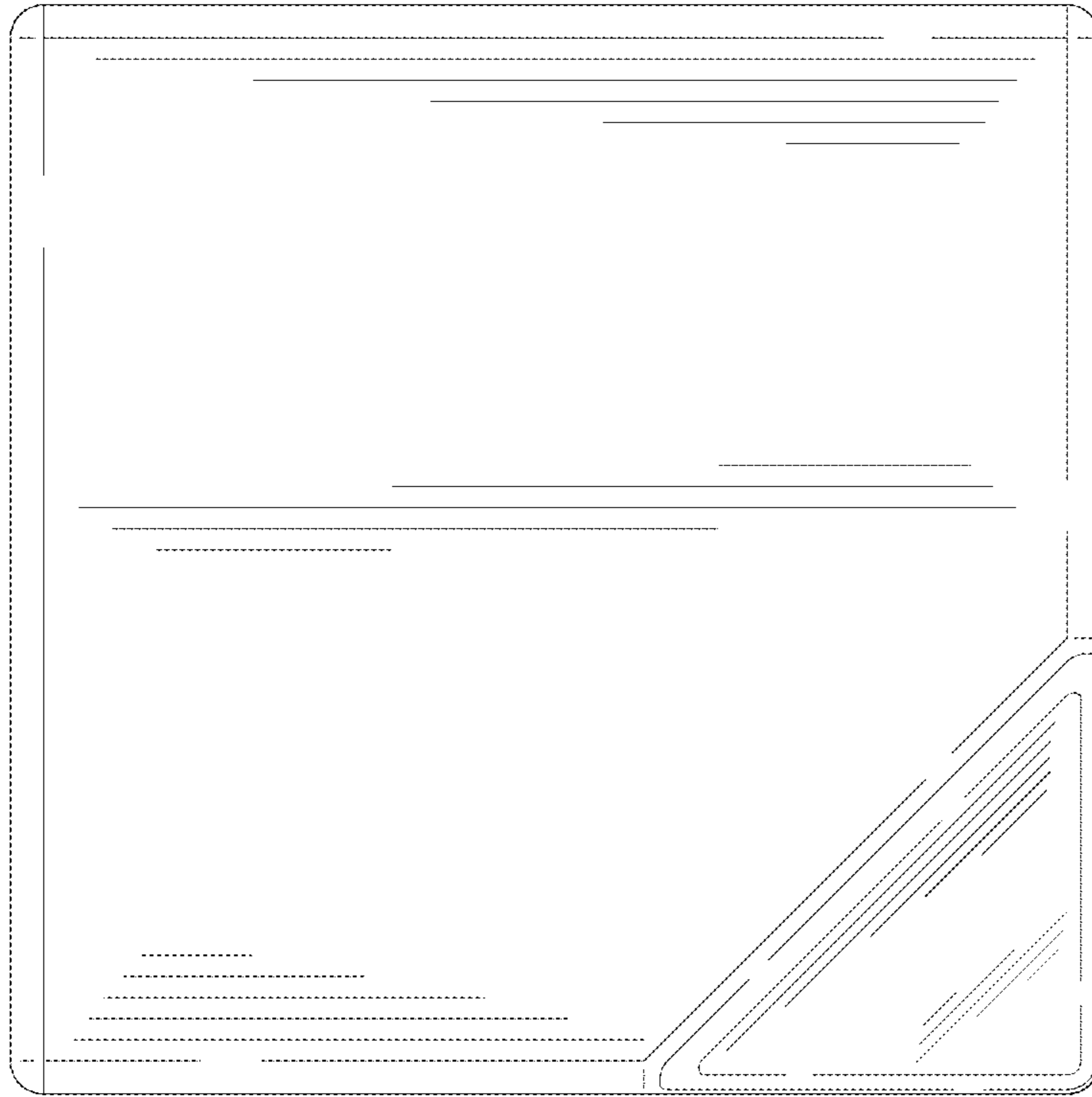


FIG. 4

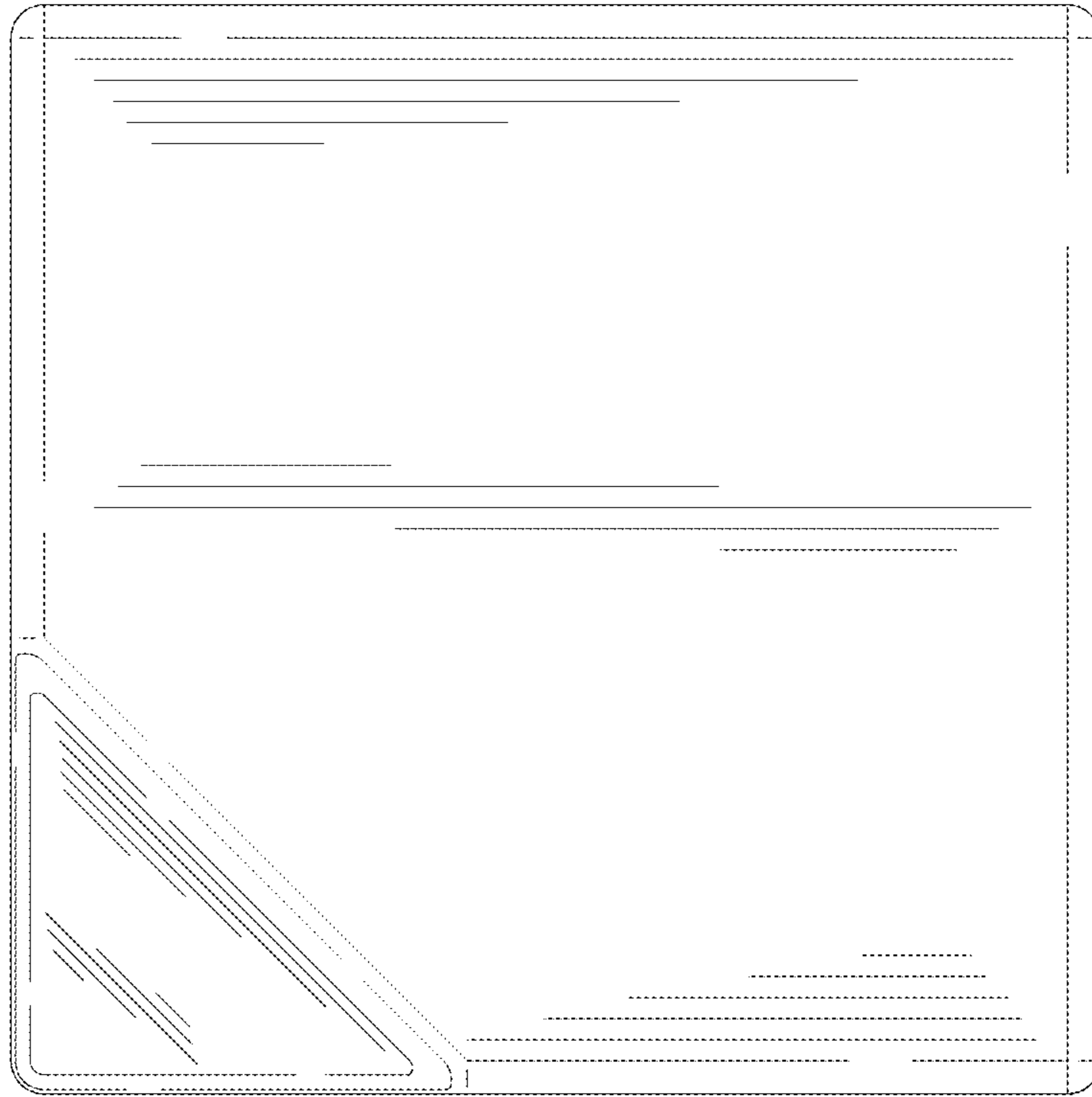


FIG. 5



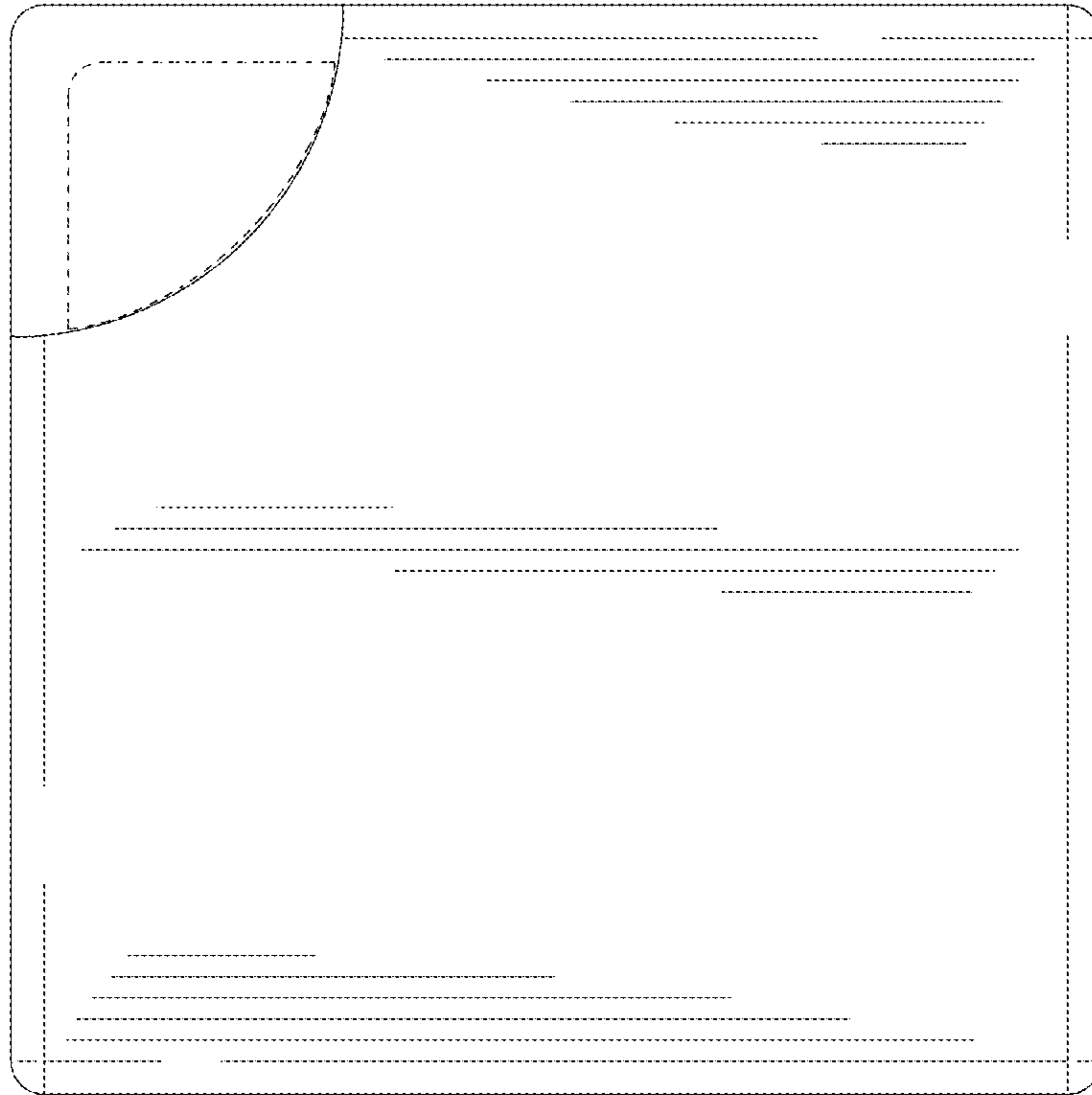


FIG. 6

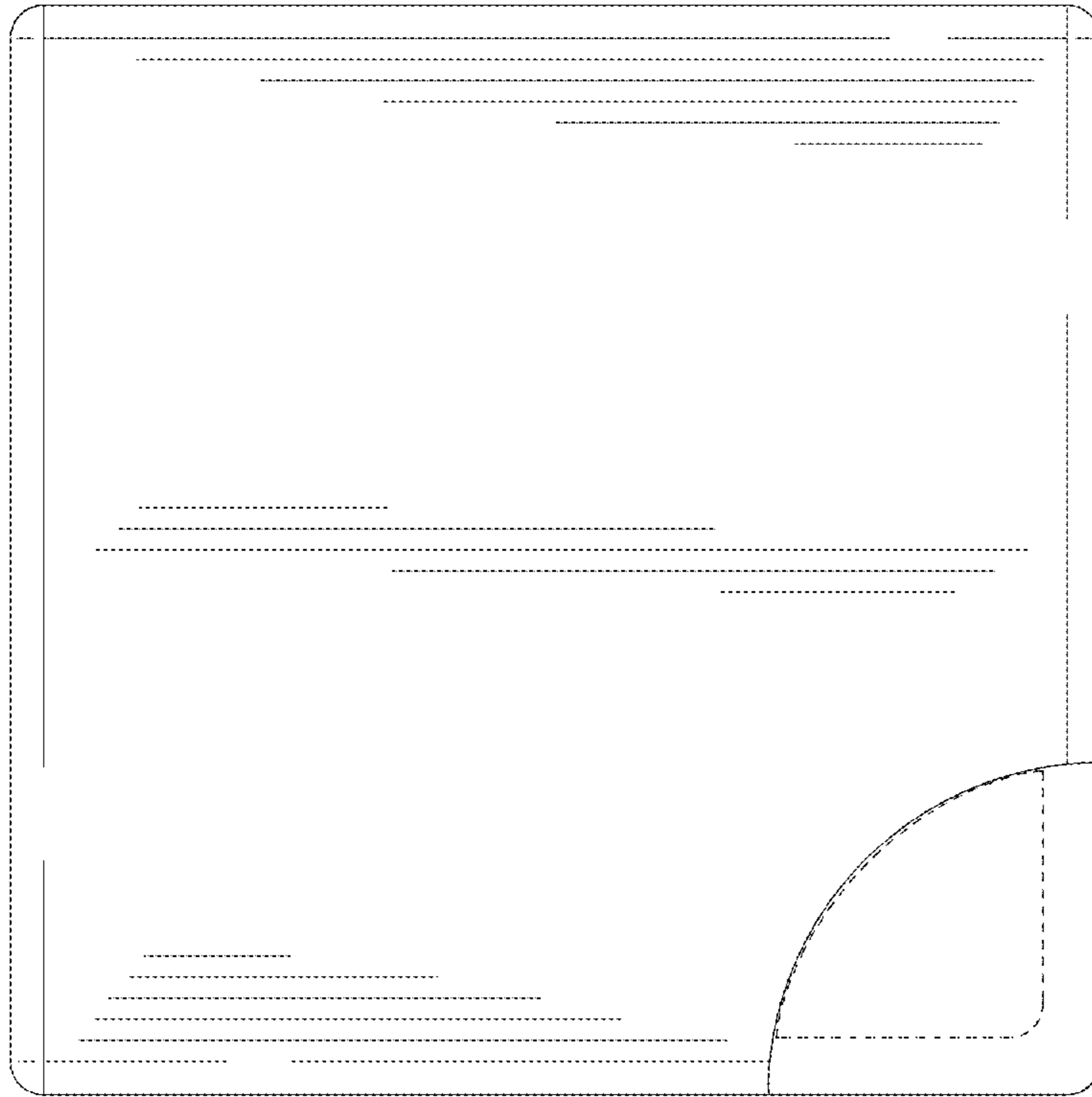


FIG. 7





FIG. 8

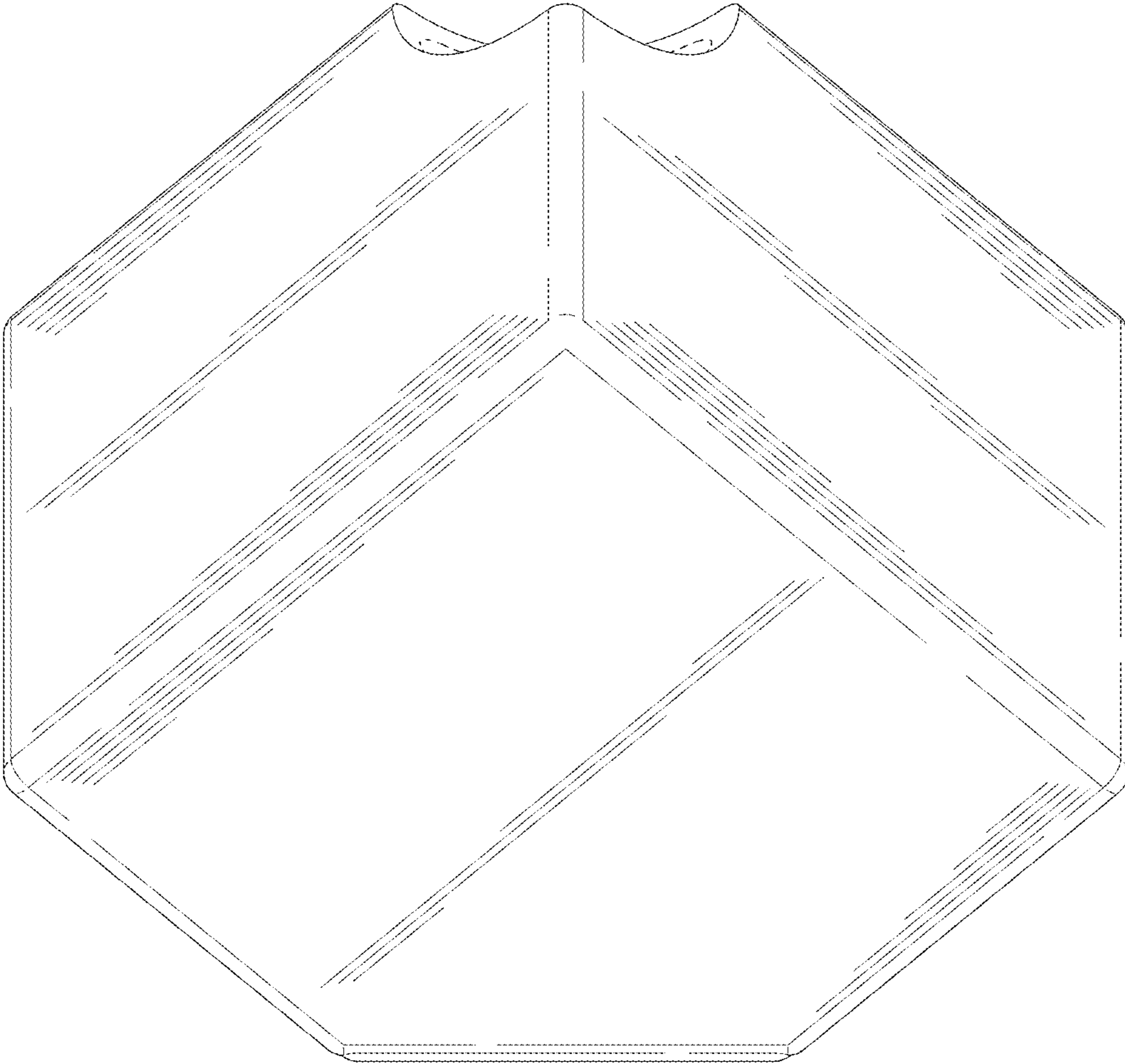


FIG. 9