

US00D974954S

(12) **United States Design Patent**
Zhao

(10) **Patent No.:** **US D974,954 S**
(45) **Date of Patent:** **** Jan. 10, 2023**

- (54) **TREE STAND**
- (71) Applicant: **Ningbo Flying-Horse International Trade Co., Ltd.**, Ningbo (CN)
- (72) Inventor: **Honghua Zhao**, Ningbo (CN)
- (**) Term: **15 Years**
- (21) Appl. No.: **29/695,385**
- (22) Filed: **Jun. 19, 2019**
- (51) **LOC (14) Cl.** **06-99**
- (52) **U.S. Cl.**
USPC **D11/130.1**
- (58) **Field of Classification Search**
USPC ... D11/117, 121, 130, 130.1, 131, 143, 146, D11/164
CPC A47G 33/00; A47G 33/12; A47G 33/1206; A47G 33/1213; A47G 2033/1233; A47G 2033/1266; E04H 12/22; E04H 12/2238
See application file for complete search history.

(56) **References Cited**

U.S. PATENT DOCUMENTS

D225,498 S *	12/1972	Norton	D11/130.1
3,820,749 A *	6/1974	Leonard	A47G 33/12
				D11/130.1
3,838,838 A *	10/1974	Seaman, Jr.	A47G 33/12
				248/188.7
4,239,198 A *	12/1980	Trupp	B27L 7/08
				269/204
D330,875 S *	11/1992	Boucher	D11/130.1
D339,549 S *	9/1993	Hermanson	D11/130.1
D342,694 S *	12/1993	Frost	D11/130.1
D349,259 S *	8/1994	Adam	D11/130.1
D353,788 S *	12/1994	Frost	D11/130.1
D503,357 S *	3/2005	Tsai	D11/130.1

(Continued)

OTHER PUBLICATIONS

360-degree Rotating Christmas Tree Stand Bracket For Up To 9.8ft Artificial Tree Replacement Stand, <https://www.aliexpress.com/item/1005003413212988.html>, copyright 2022. (Year: 2022).*

(Continued)

Primary Examiner — Elizabeth J Oswecki
(74) Attorney, Agent, or Firm — Runit Ranjit Kanakia

(57) **CLAIM**

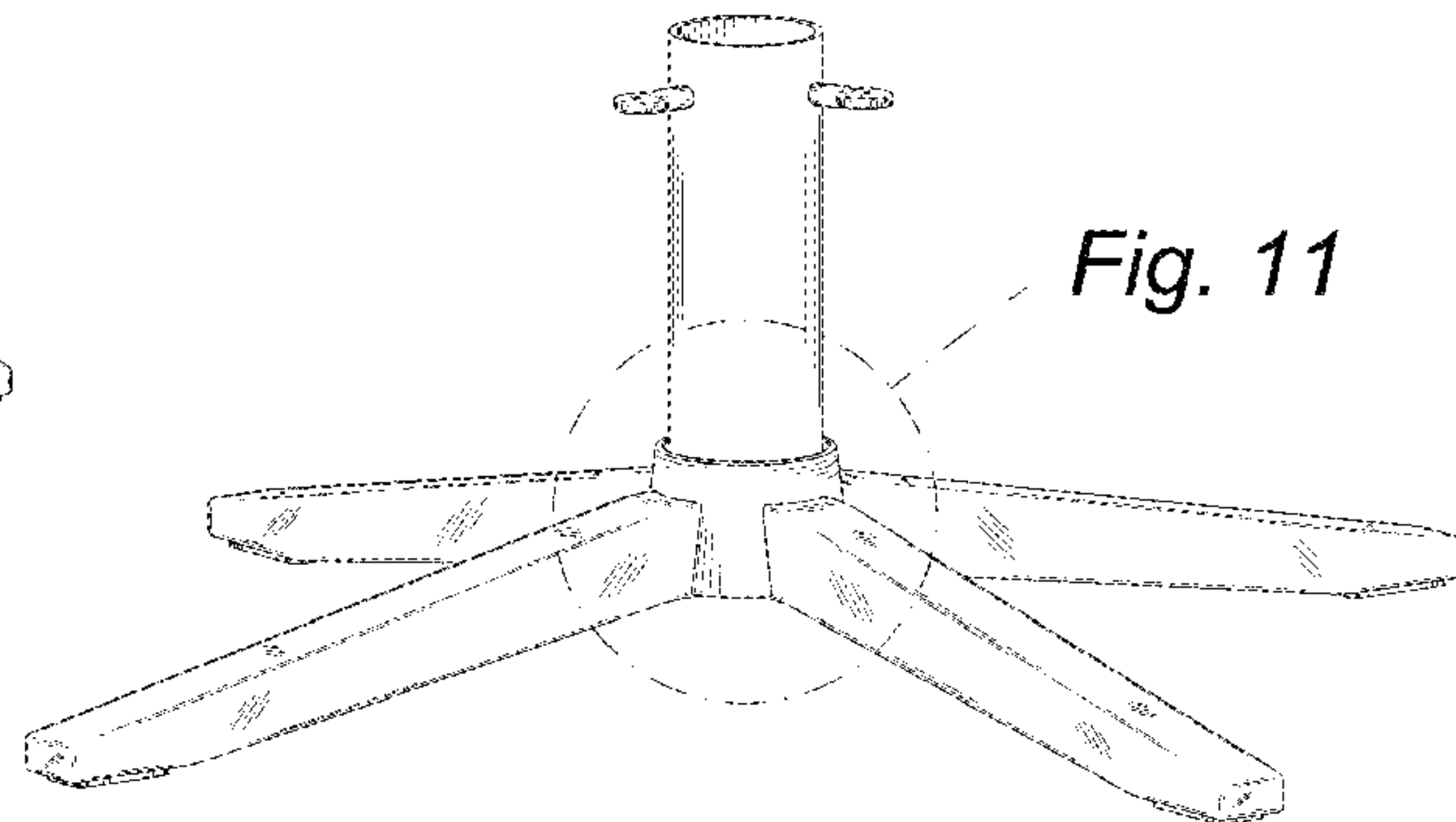
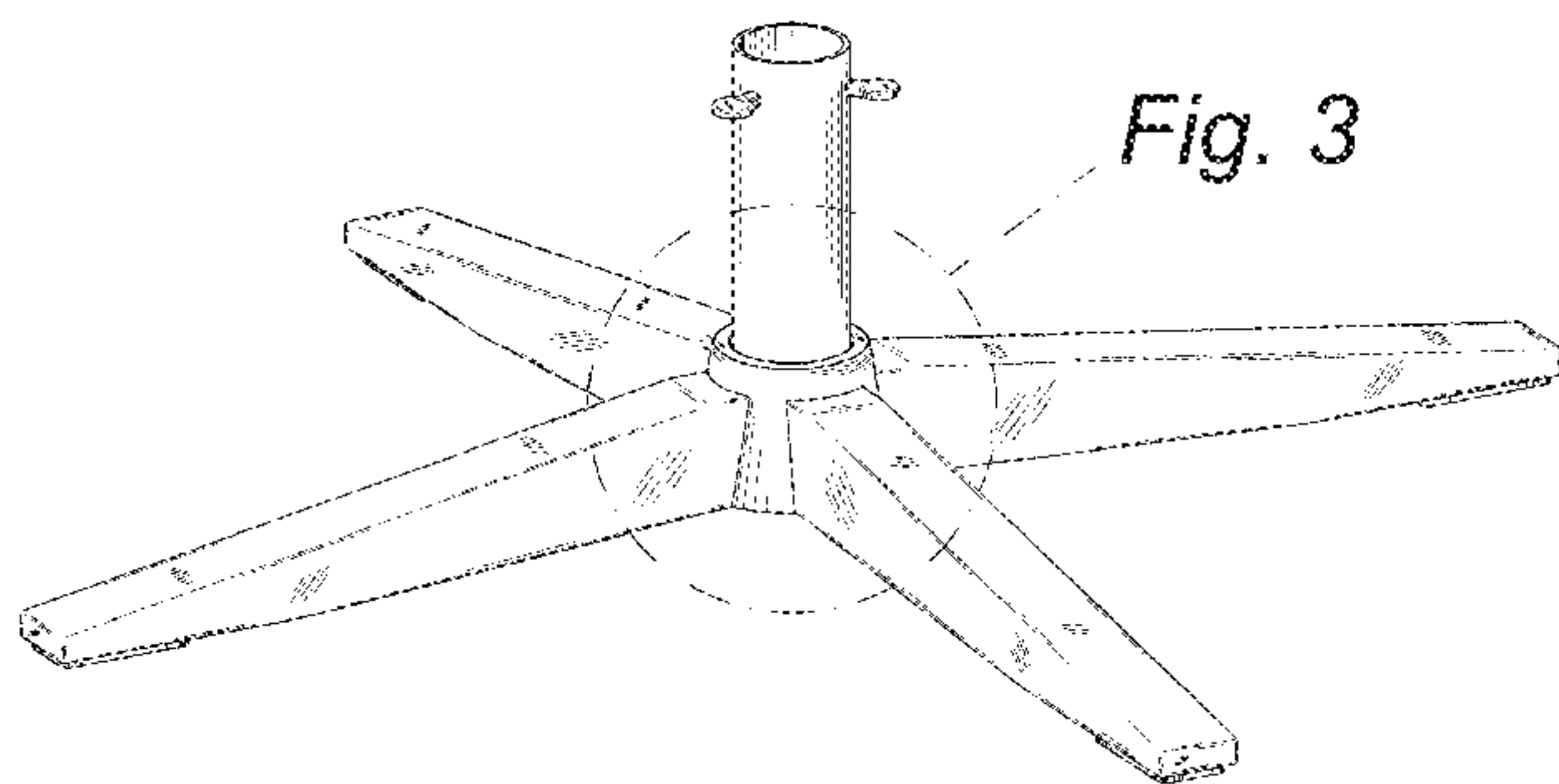
The ornamental design for a tree stand, as shown and described.

DESCRIPTION

FIG. 1 is a perspective view of a first embodiment of a tree stand in accordance with the present invention;
 FIG. 2 is a bottom view thereof;
 FIG. 3 is an enlarged portion view taken from encircled portion labeled, "FIG. 3," in FIG. 1;
 FIG. 4 is a front side view thereof;
 FIG. 5 is a left side view thereof;
 FIG. 6 is a rear side view thereof;
 FIG. 7 is a right side view thereof;
 FIG. 8 is a top view thereof;
 FIG. 9 is a perspective view of a second embodiment of a tree stand in accordance with the present invention;
 FIG. 10 is a bottom view thereof;
 FIG. 11 is an enlarged portion view taken from encircled portion labeled, "FIG. 11," in FIG. 9;
 FIG. 12 is a front side view thereof;
 FIG. 13 is a left side view thereof;
 FIG. 14 is a rear side view thereof;
 FIG. 15 is a right side view thereof; and,
 FIG. 16 is a top view thereof.

The even dashed broken lines in FIGS. 2, 8, 10, and 16 form no part of the claimed design. The dashed-dot lines in FIGS. 1, 3, 9, and 11 represent the boundary lines of the enlarged portion views shown in FIGS. 3 and 11 that form no part of the claimed design.

1 Claim, 16 Drawing Sheets



(56)

References Cited

U.S. PATENT DOCUMENTS

7,597,304 B1 * 10/2009 Gray A47G 33/12
248/172
D667,336 S * 9/2012 Tsai D11/130.1

OTHER PUBLICATIONS

Tree Nest Christmas Tree Stand for Artificial Tree Christmas Base Holder for 6ft 6.5ft 7ft 7.5ft 8ft Fake Tree Stable for Xmas Tree no Christmas Tree Collar or Tree Skirt Needed (Gentle, Black),<https://www.amazon.com/Tree-Nest-Gentle-Christmas-Artificial/dp/B08DN8NBY1/ref>, Nov. 18, 2020. (Year: 2020).*

* cited by examiner

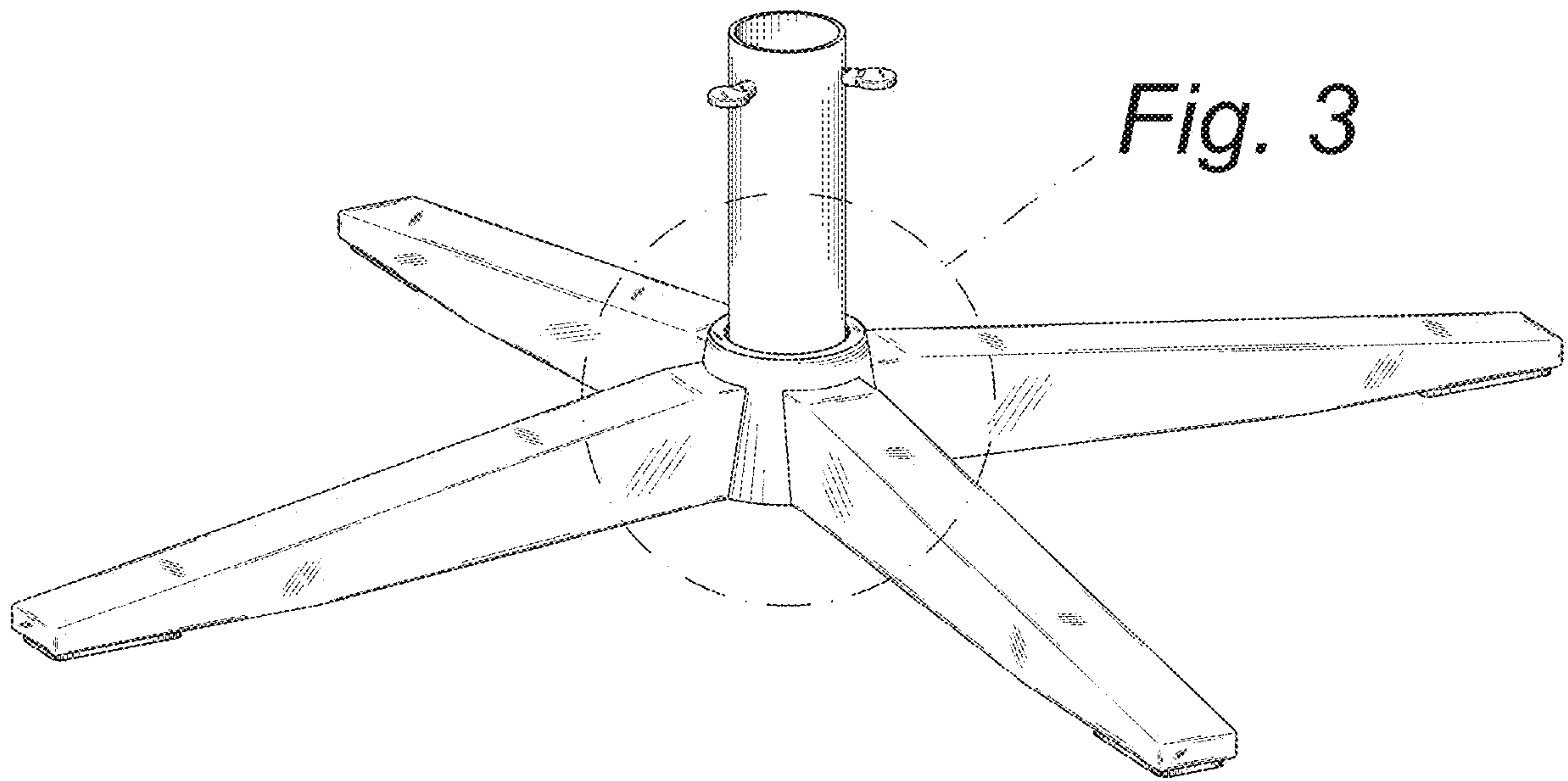


Fig. 1

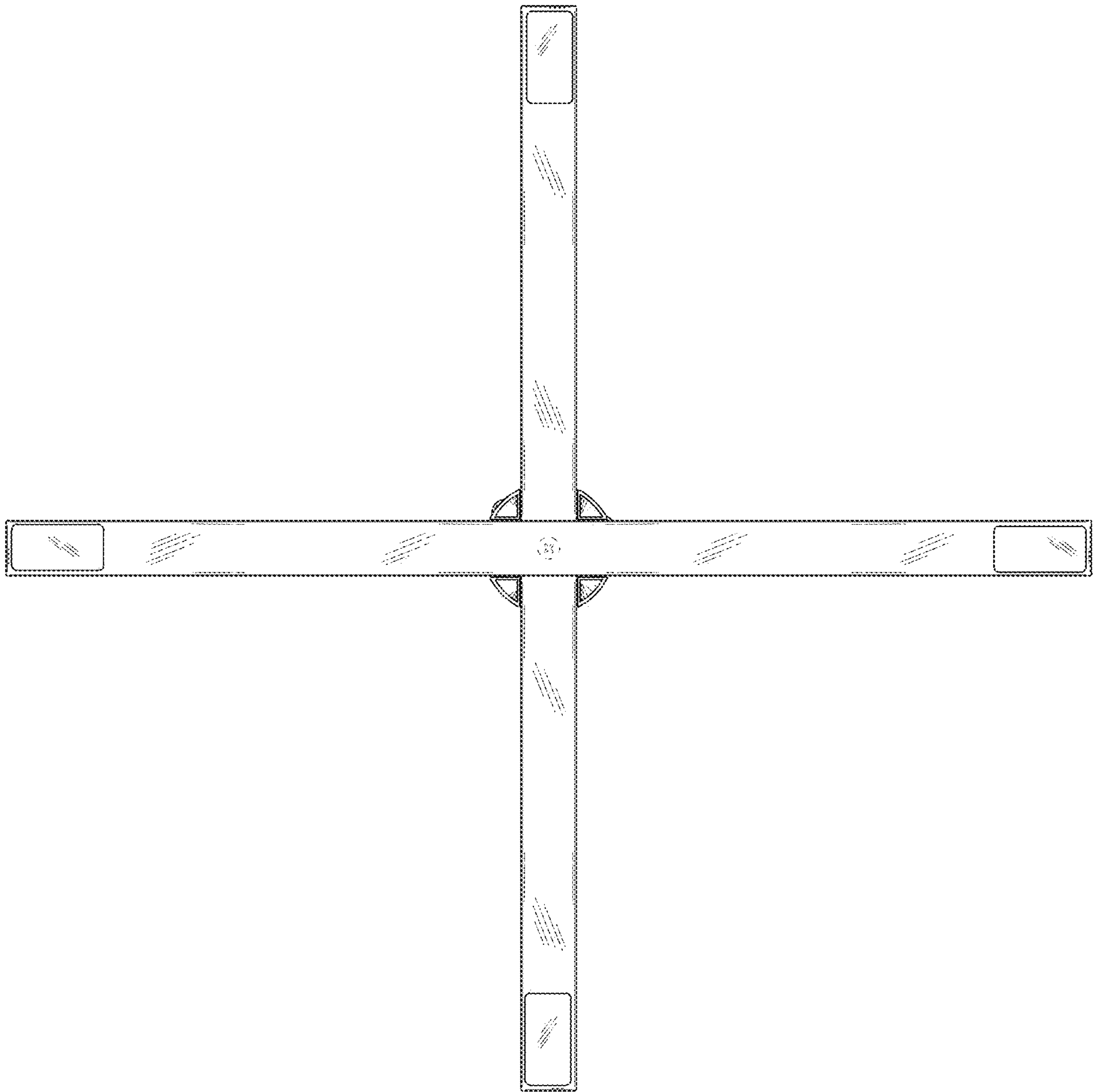


Fig. 2

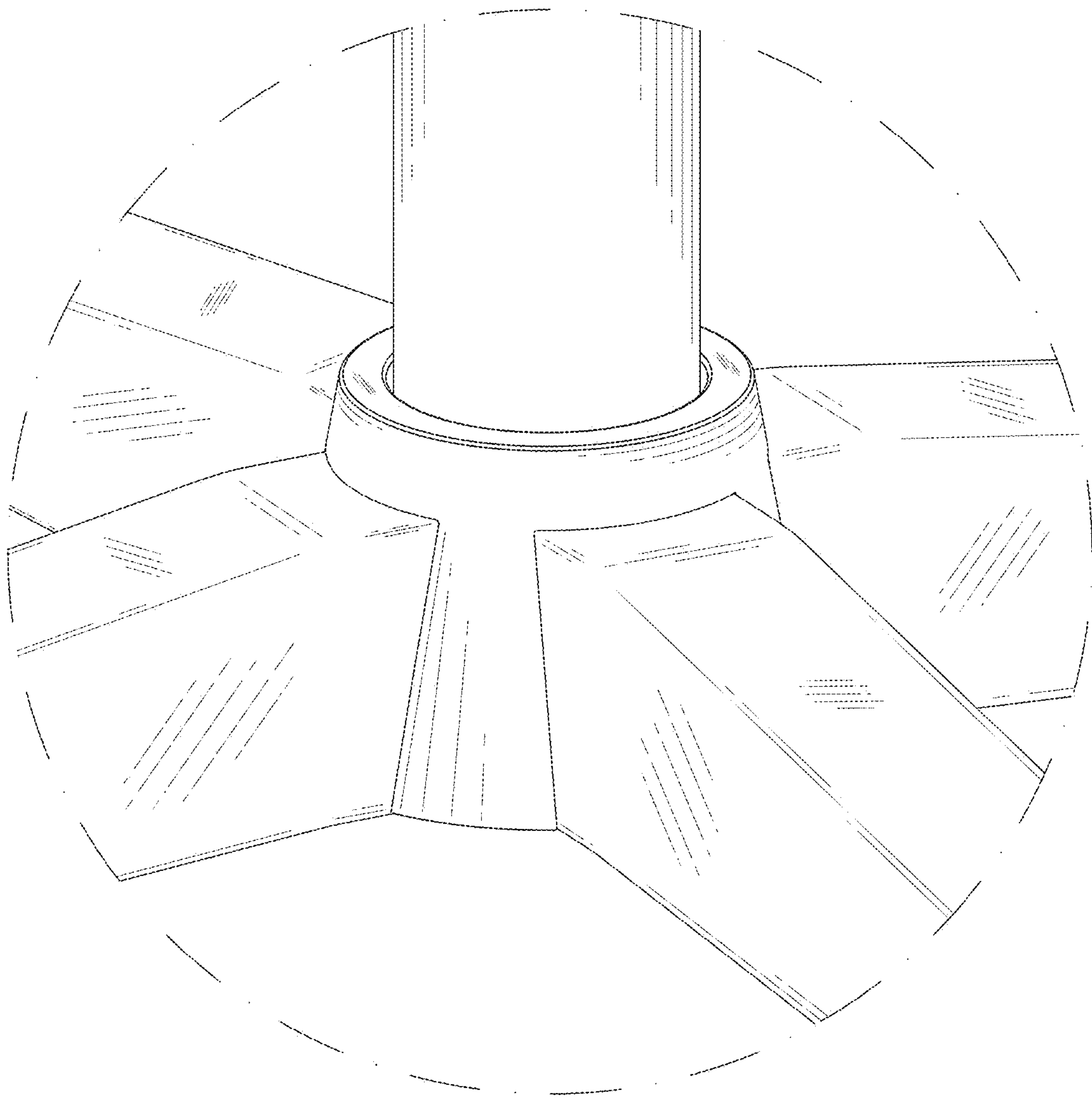


Fig. 3

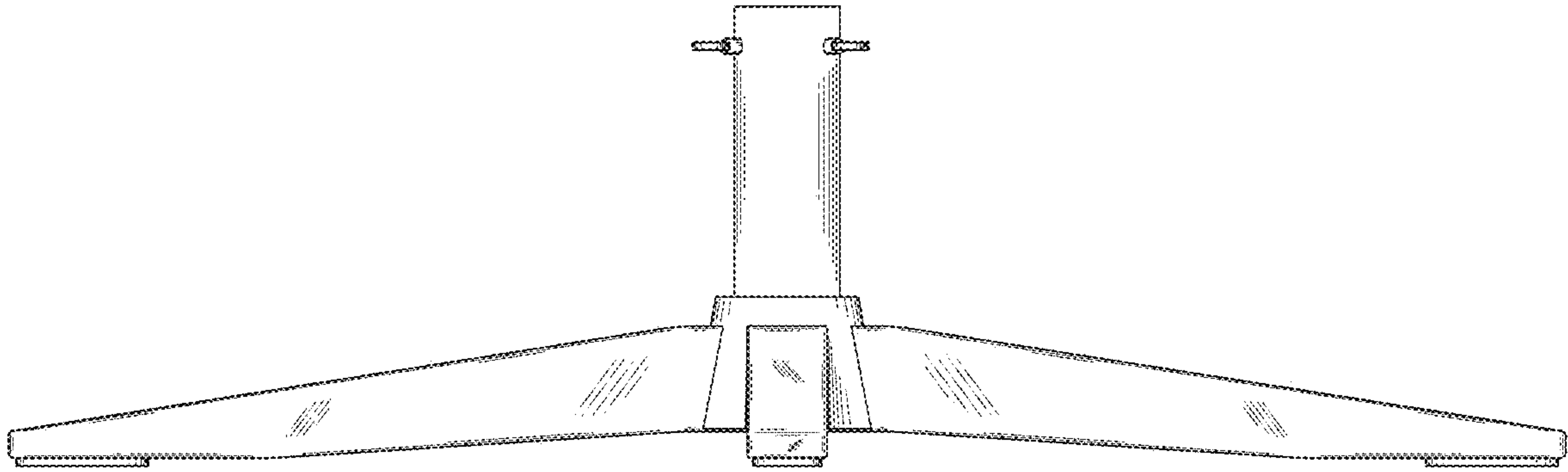


Fig. 4

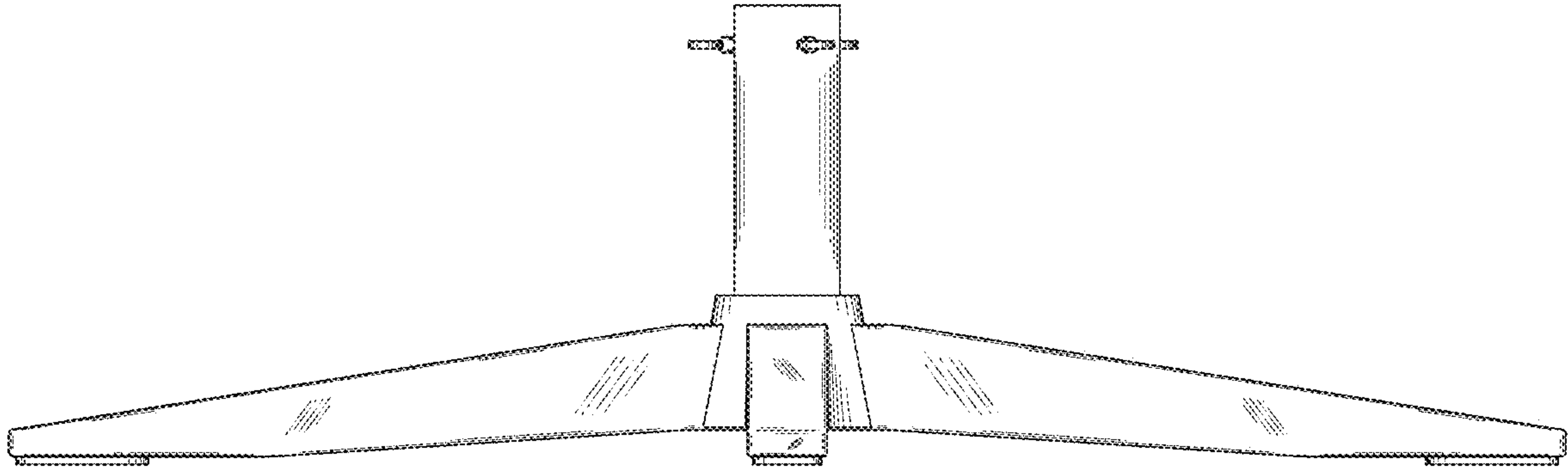


Fig. 5

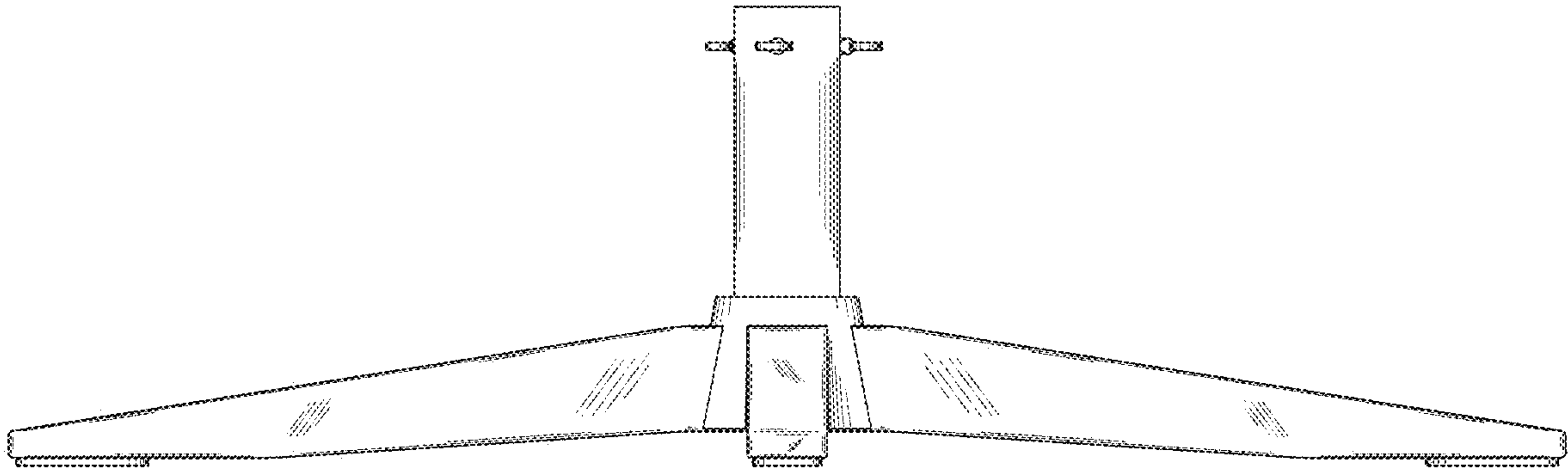


Fig. 6

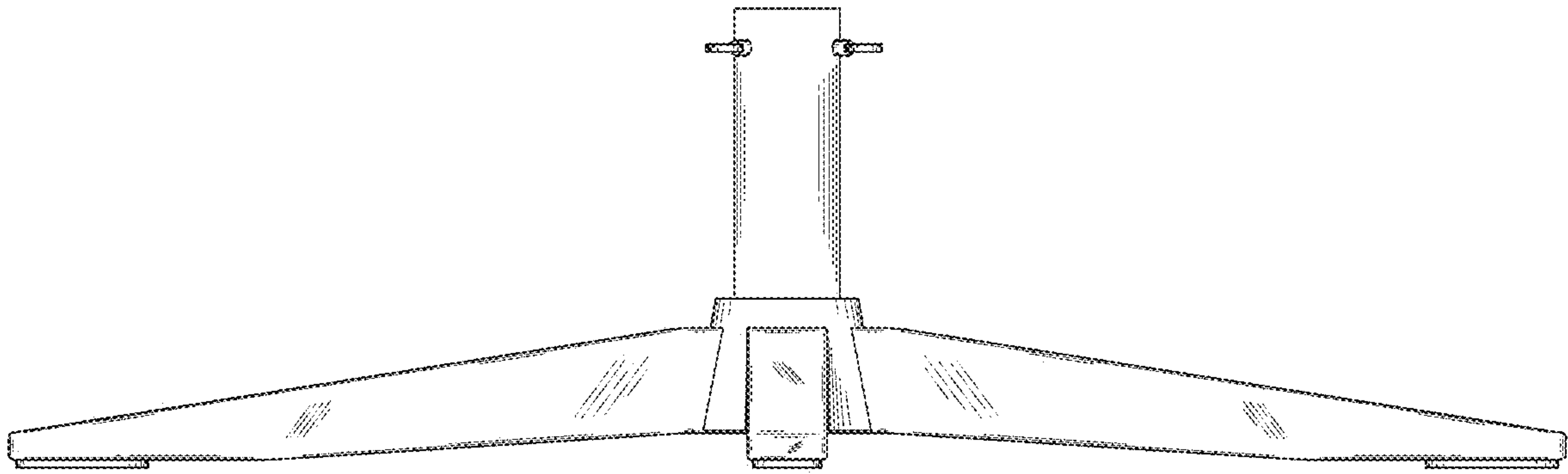


Fig. 7

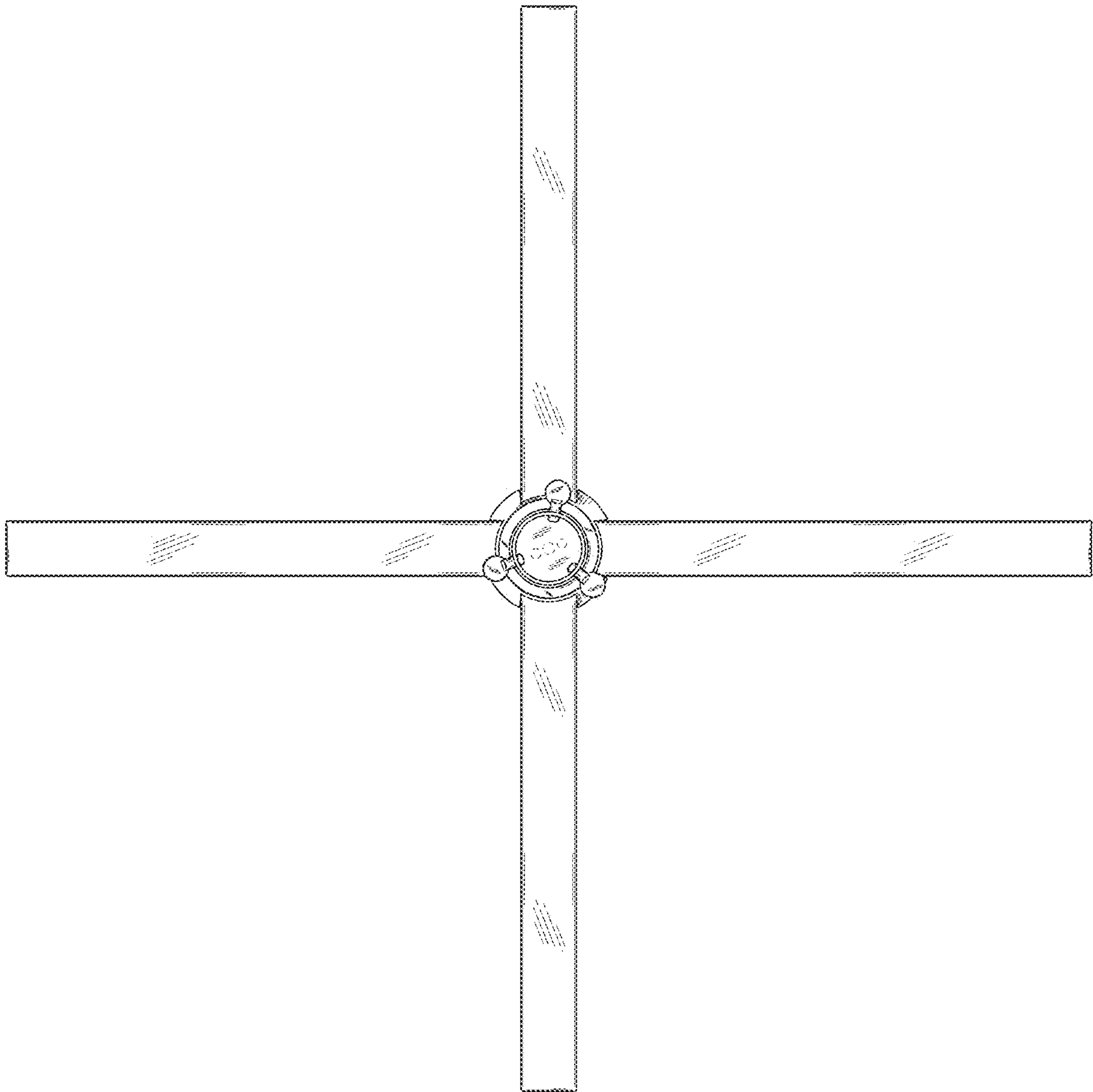


Fig. 8

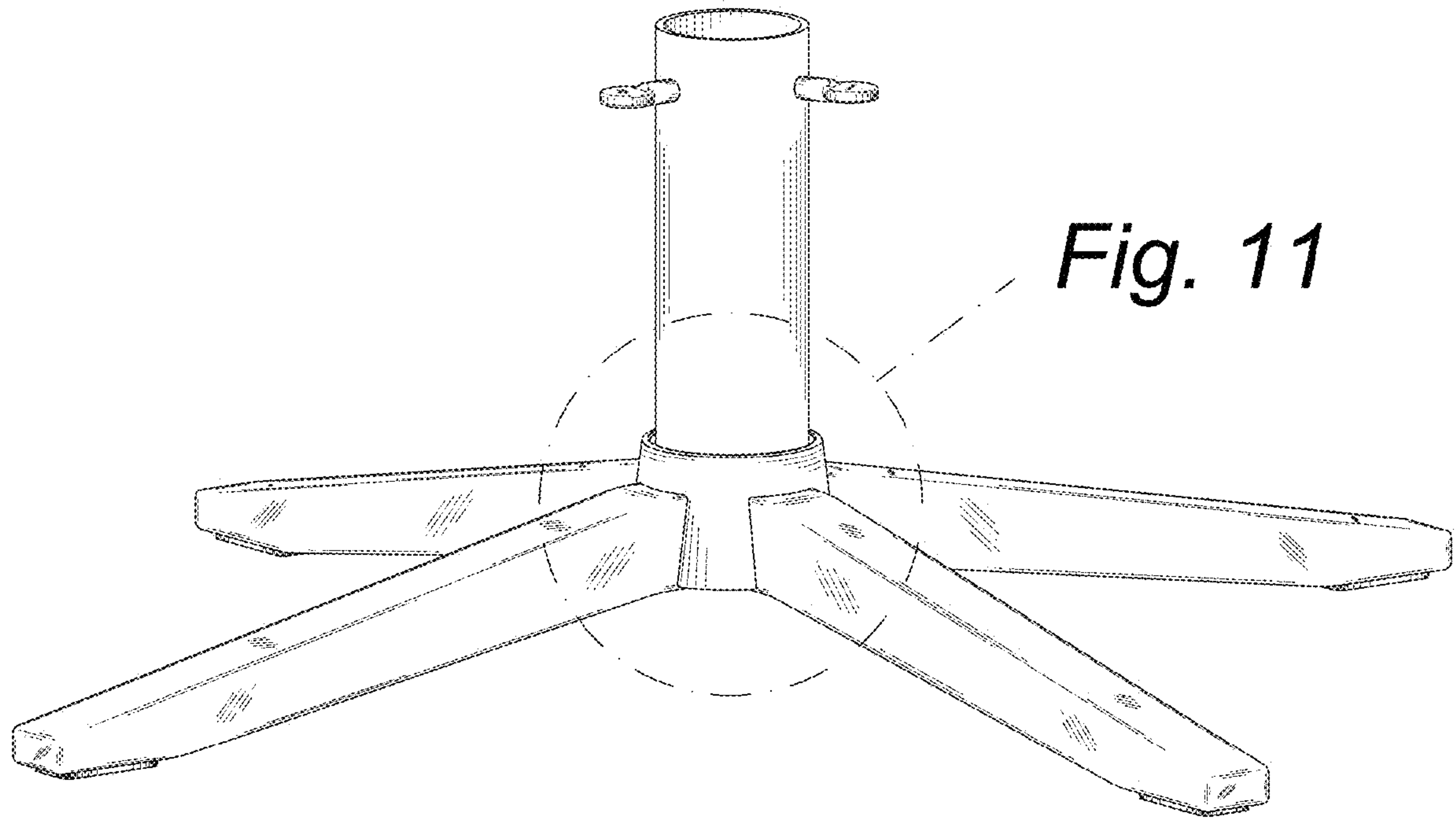


Fig. 11

Fig. 9

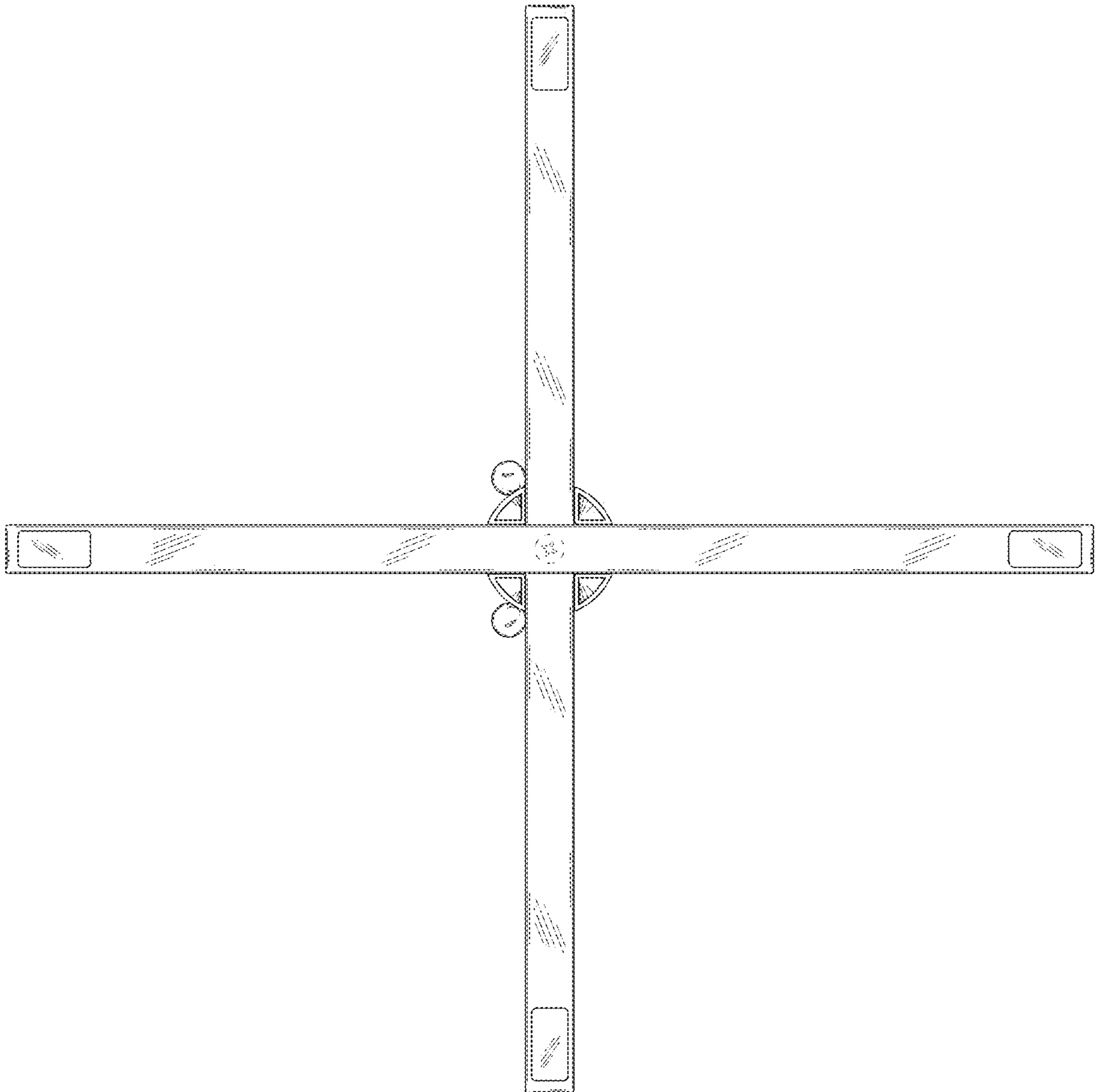


Fig. 10

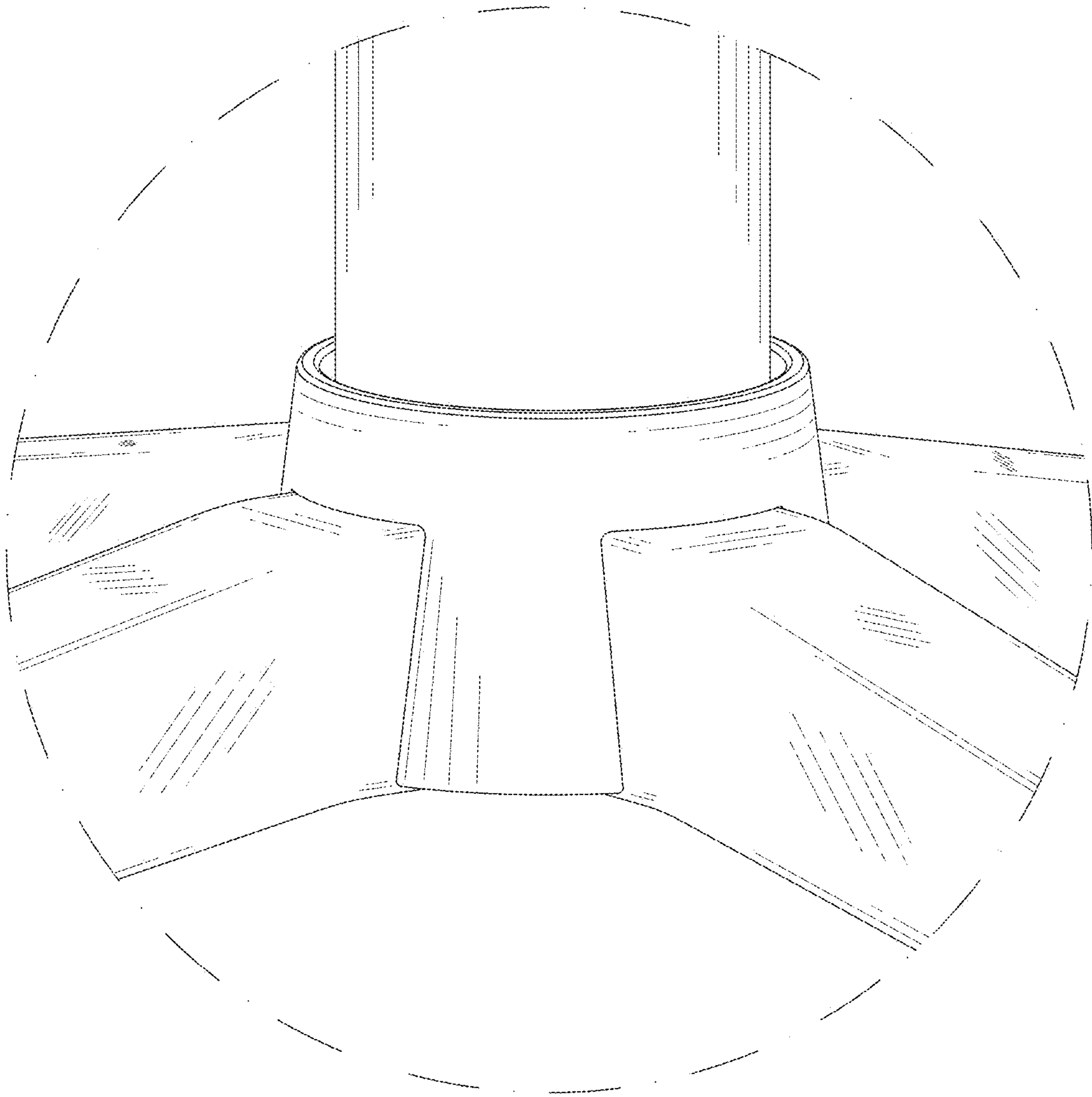


Fig. 11

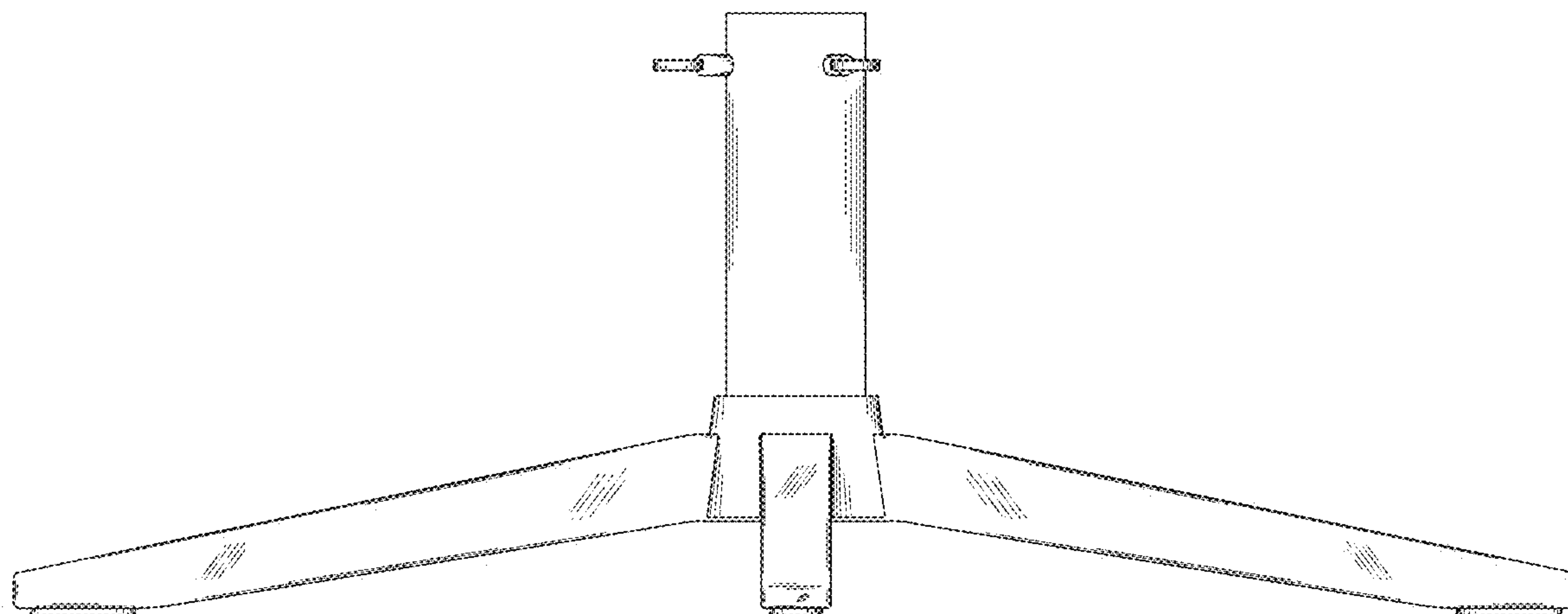


Fig. 12

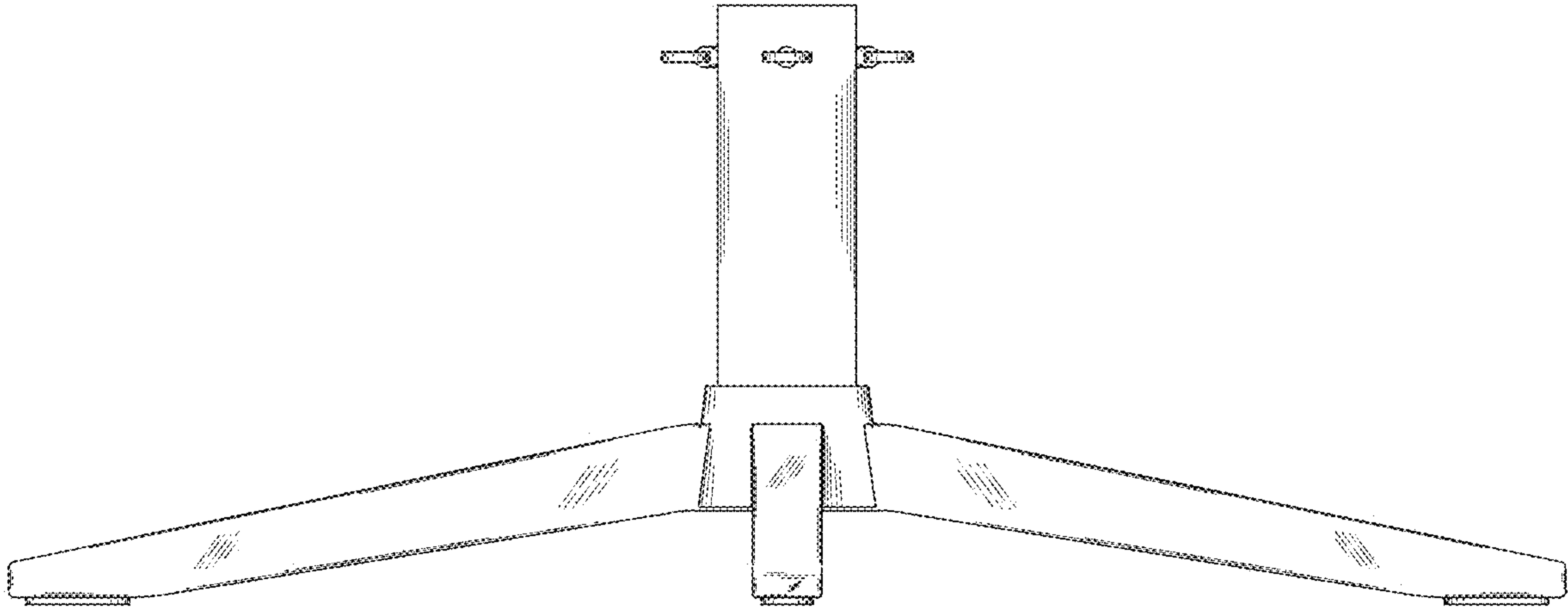


Fig. 13

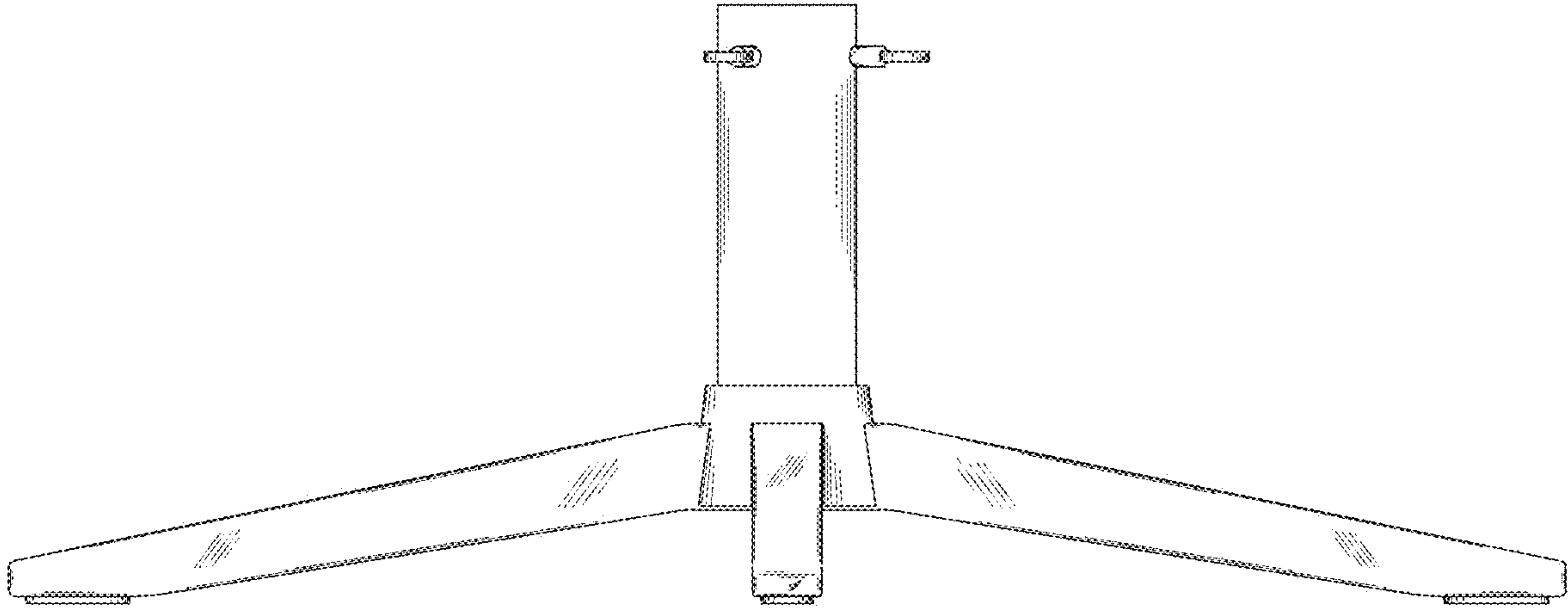


Fig. 14

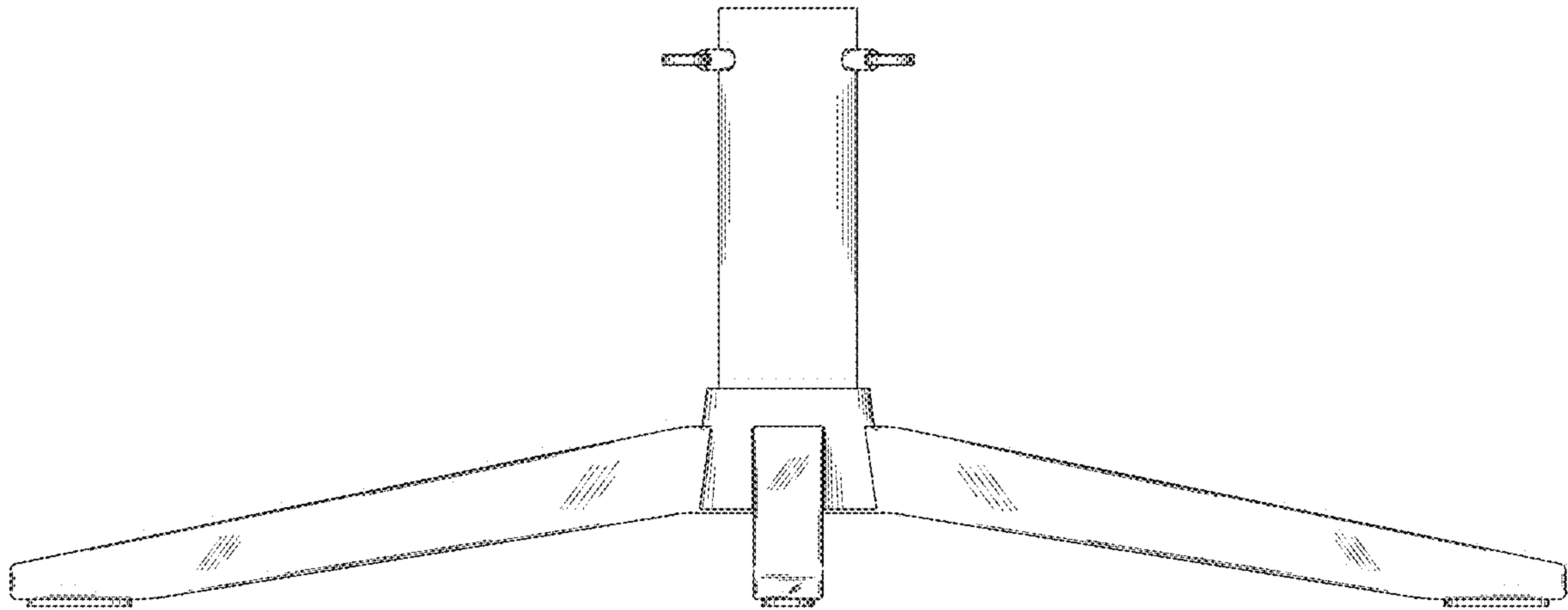


Fig. 15

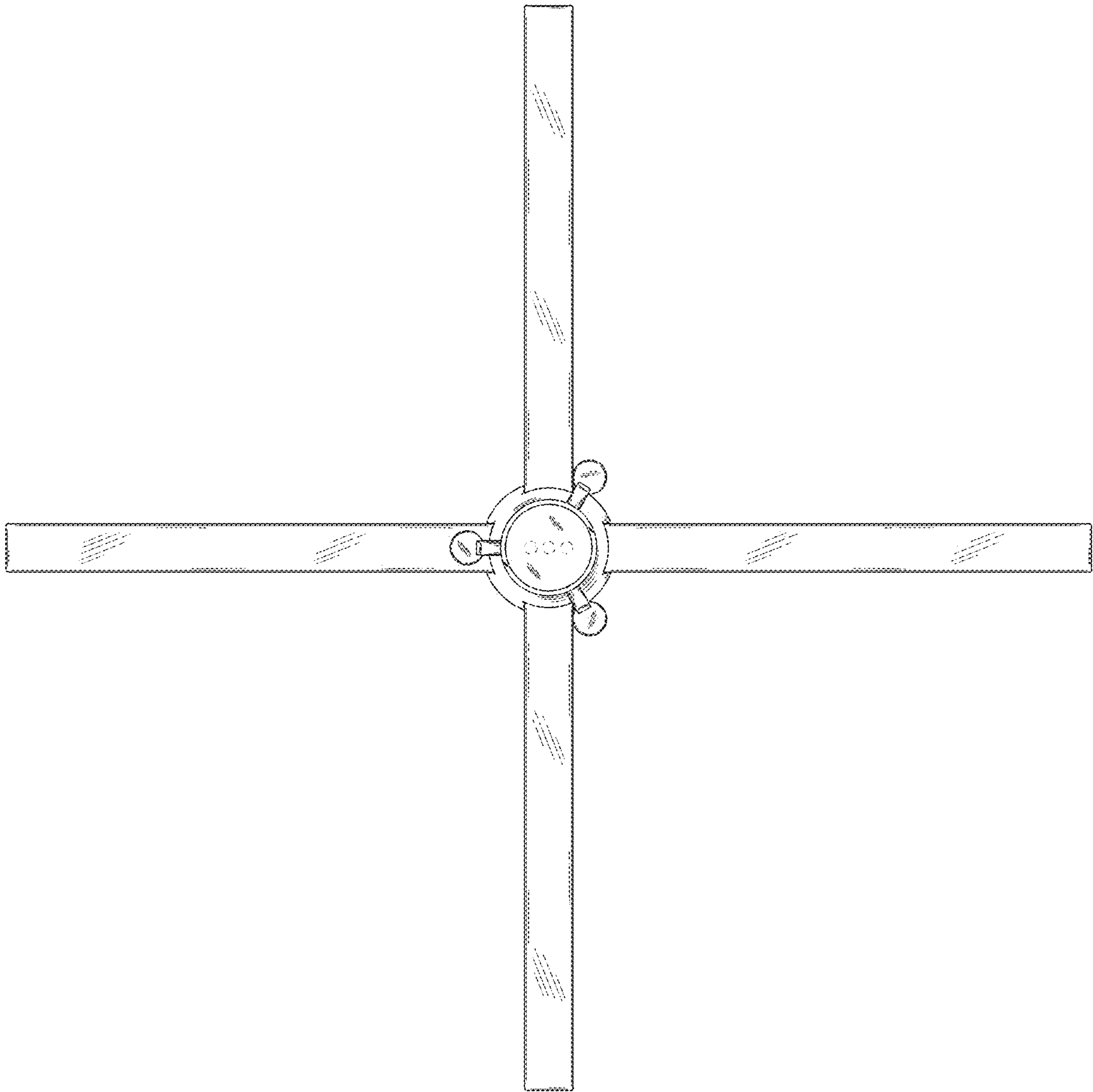


Fig. 16