



US00D974951S

(12) **United States Design Patent** (10) **Patent No.:** **US D974,951 S**
Yu (45) **Date of Patent:** **** Jan. 10, 2023**

(54) **CHRISTMAS TREE TOPPER**

(71) Applicant: **Longde Yu**, Zhejiang (CN)

(72) Inventor: **Longde Yu**, Zhejiang (CN)

(**) Term: **15 Years**

(21) Appl. No.: **29/824,109**

(22) Filed: **Jan. 21, 2022**

(51) **LOC (14) Cl.** **11-05**

(52) **U.S. Cl.**
USPC **D11/124**

(58) **Field of Classification Search**

USPC D11/117, 121, 124, 125, 130, 131, 132,
D11/133, 157, 164; D2/865, 866, 869,
D2/886, 891, 892, 895; D28/39-43, 73
CPC A41G 5/00; A47G 33/00; A47G 33/08;
A47G 33/0863; A47G 2033/0827; B44C
5/00; A42B 1/00; A42B 1/004; A42B
1/006; A42B 1/019; A42B 1/02; A42B
1/16; A42B 1/201

See application file for complete search history.

(56) **References Cited**

U.S. PATENT DOCUMENTS

849,151 A * 4/1907 Mayer A42B 1/18
2/175.5
D48,246 S * 12/1915 Stabler D2/886
2,106,570 A * 1/1938 Lipton A42B 1/22
2/171.7
D133,659 S * 9/1942 Hodge D2/886
D136,605 S * 11/1943 Solash D2/881
D137,348 S * 2/1944 Chistensen D2/886
2,886,912 A * 5/1959 Rowland D04D 7/10
2/244
3,501,364 A * 3/1970 Rowland D04D 7/10
2/244
4,724,175 A * 2/1988 LaBrosse D04D 7/105
428/101
4,900,632 A * 2/1990 McGrath D04D 7/10
223/46
D333,802 S * 3/1993 Stabler D11/131

(Continued)

OTHER PUBLICATIONS

Custom Lighted Christmas Tree Topper Black Top Hat Tree Topper
bow Frosty Top Hat Christmas Decoration Centerpiece RAZ Decor,
https://www.etsy.com/listing/568517241/custom-lighted-christmas-tree-topper?click_key=38caf20b19f29c0683497a9b49f7f964b900c226%3A568517241&click_sum, Dec. 3, 2014. (Year: 2014).*

HMASYO Christmas Tree Topper Hat—Upgrade Large Black Velvet Bowler Derby Hat with Red Plaid Bow and Lengthened Ribbon Christmas Tree Decorations Desktop Ornaments for Holiday Home Decor (Black),<https://www.amazon.com/dp/B08933QPB4/ref=sspa>, May 23, 2020. (Year: 2020).*

(Continued)

Primary Examiner — Elizabeth J Oswecki

(74) *Attorney, Agent, or Firm* — ScienBiziP, P.C.

(57) **CLAIM**

The ornamental design for a Christmas tree topper, as shown and described.

DESCRIPTION

FIG. 1 is a front, right, and top perspective view of a first embodiment of a Christmas tree topper, showing my new design;

FIG. 2 is a rear, left and bottom perspective view thereof;

FIG. 3 is a front elevation view thereof;

FIG. 4 is a rear elevation view thereof;

FIG. 5 is a left side elevation view thereof;

FIG. 6 is a right side elevation view thereof;

FIG. 7 is a top plan view thereof;

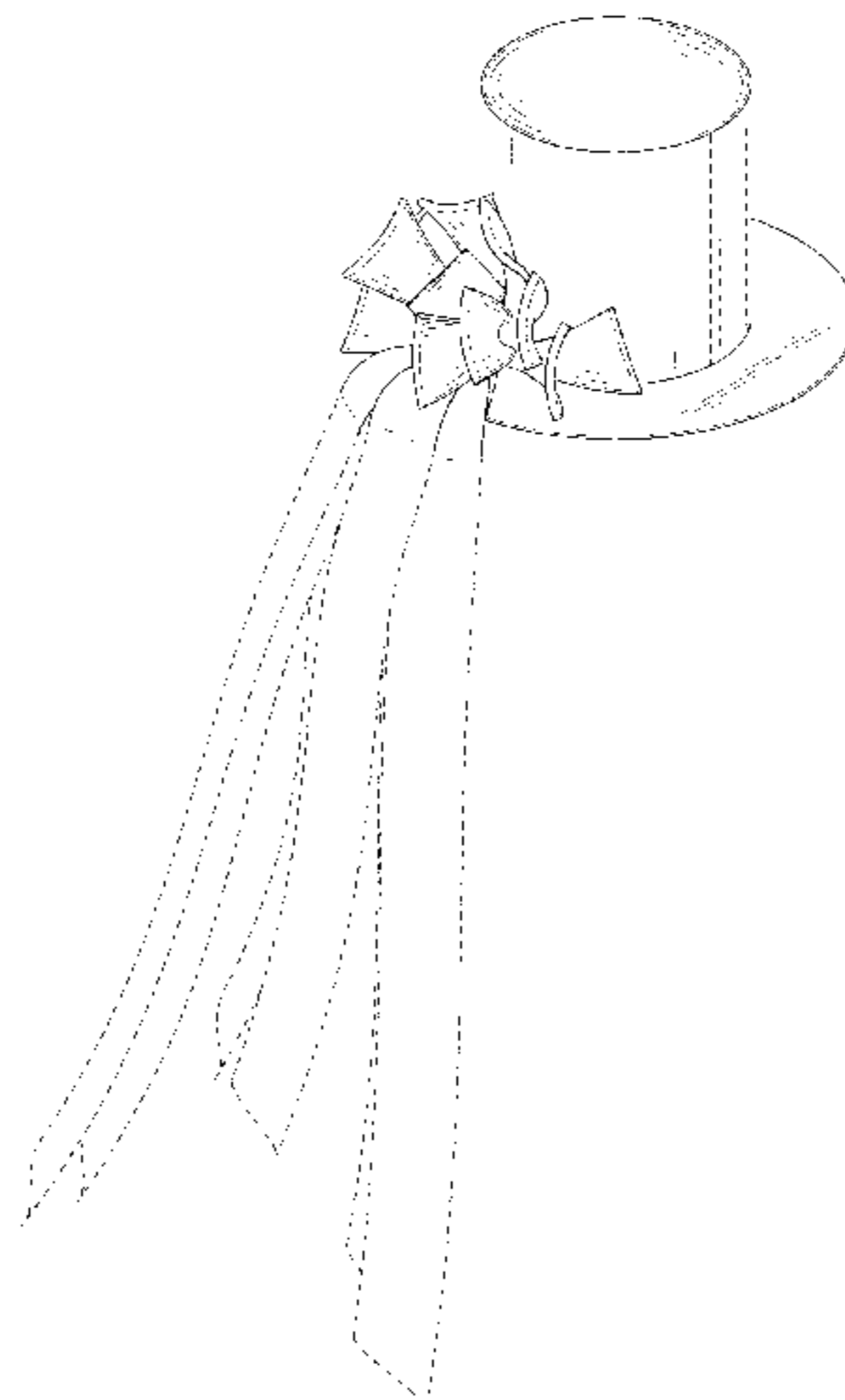
FIG. 8 is a bottom plan view thereof;

FIG. 9 is a front, right, and top perspective view of a second embodiment of a Christmas tree topper, showing my new design; and,

FIG. 10 is a rear, left and bottom perspective view of a third embodiment of a Christmas tree topper, showing my new design.

The broken lines shown in the drawings are included for the purpose of illustrating portions of the Christmas tree topper that form no part of the claimed design.

1 Claim, 10 Drawing Sheets



(56)

References Cited

U.S. PATENT DOCUMENTS

5,198,274 A * 3/1993 Etzion D04D 7/10
223/46
5,526,830 A * 6/1996 Hunter G09F 27/00
132/273
D402,918 S * 12/1998 Pacheco D11/184
6,681,965 B1 * 1/2004 Tran D04D 7/10
223/46
D561,059 S * 2/2008 Aoyama D11/124
D572,437 S * 7/2008 Scott D2/882
D599,978 S * 9/2009 Scott D2/876
D607,773 S * 1/2010 Aoyama D11/124
D664,742 S * 8/2012 Buffington D2/886
D688,974 S 9/2013 Thiel
D771,516 S * 11/2016 Proctor D11/124
D892,460 S * 8/2020 Zhu D2/866
D928,024 S 8/2021 Yu
D942,888 S * 2/2022 Luo D11/124

OTHER PUBLICATIONS

Christmas Candy Canes Tree Topper Red Hat with Peppermint
Bows Ornament Winter Lollipop Holiday Home Decoration Xmas
Festive Gift Ideas Supplies,[https://www.amazon.com/CiyvoLyeen-Christmas-Peppermint-Ornament-Decoration/dp/B08KZKPP6V/ref=asc_df_B08KZKPP6V,Oct. 10, 2020. \(Year: 2020\).](https://www.amazon.com/CiyvoLyeen-Christmas-Peppermint-Ornament-Decoration/dp/B08KZKPP6V/ref=asc_df_B08KZKPP6V,Oct. 10, 2020. (Year: 2020).)*
Christmas Tree Topper Hat with Red Bowknot Ribbon,Plaid Xmas
Toppers Hats for Holiday Party Decorations,Black,WOKEISE, [https://www.amazon.com/Christmas-Bowknot-Toppers-Decorations-WOKEISE/dp/B0B6JRKDDP/ref=asc_df_B0B6JRKDDP/?tag=hyprod-20&linkCode=df0&hvadid, Jul. 14, 2022. \(Year: 2022\).](https://www.amazon.com/Christmas-Bowknot-Toppers-Decorations-WOKEISE/dp/B0B6JRKDDP/ref=asc_df_B0B6JRKDDP/?tag=hyprod-20&linkCode=df0&hvadid, Jul. 14, 2022. (Year: 2022).)*
Inventor's, Longde Yu, Publication on Amazon dated May 5, 2021.
Please refer to [https://www.amazon.com/-/zh/dp/B0946N9Z3C/ref,](https://www.amazon.com/-/zh/dp/B0946N9Z3C/ref, the declaration, the Sales Authorization Certificate, and the Proof of Identity of Legal Representative.)
the declaration, the Sales Authorization Certificate, and the Proof of
Identity of Legal Representative.

* cited by examiner

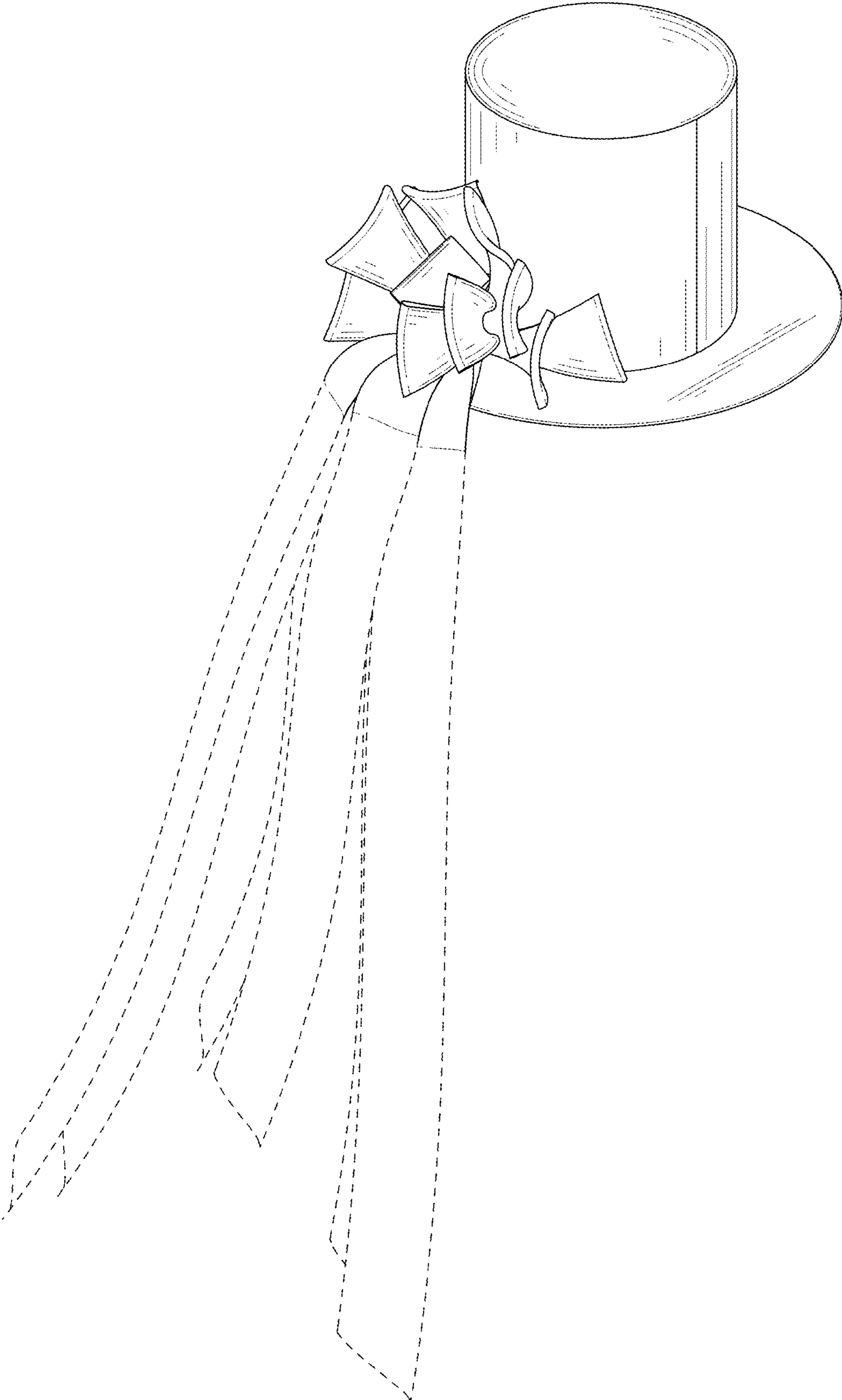


FIG. 1

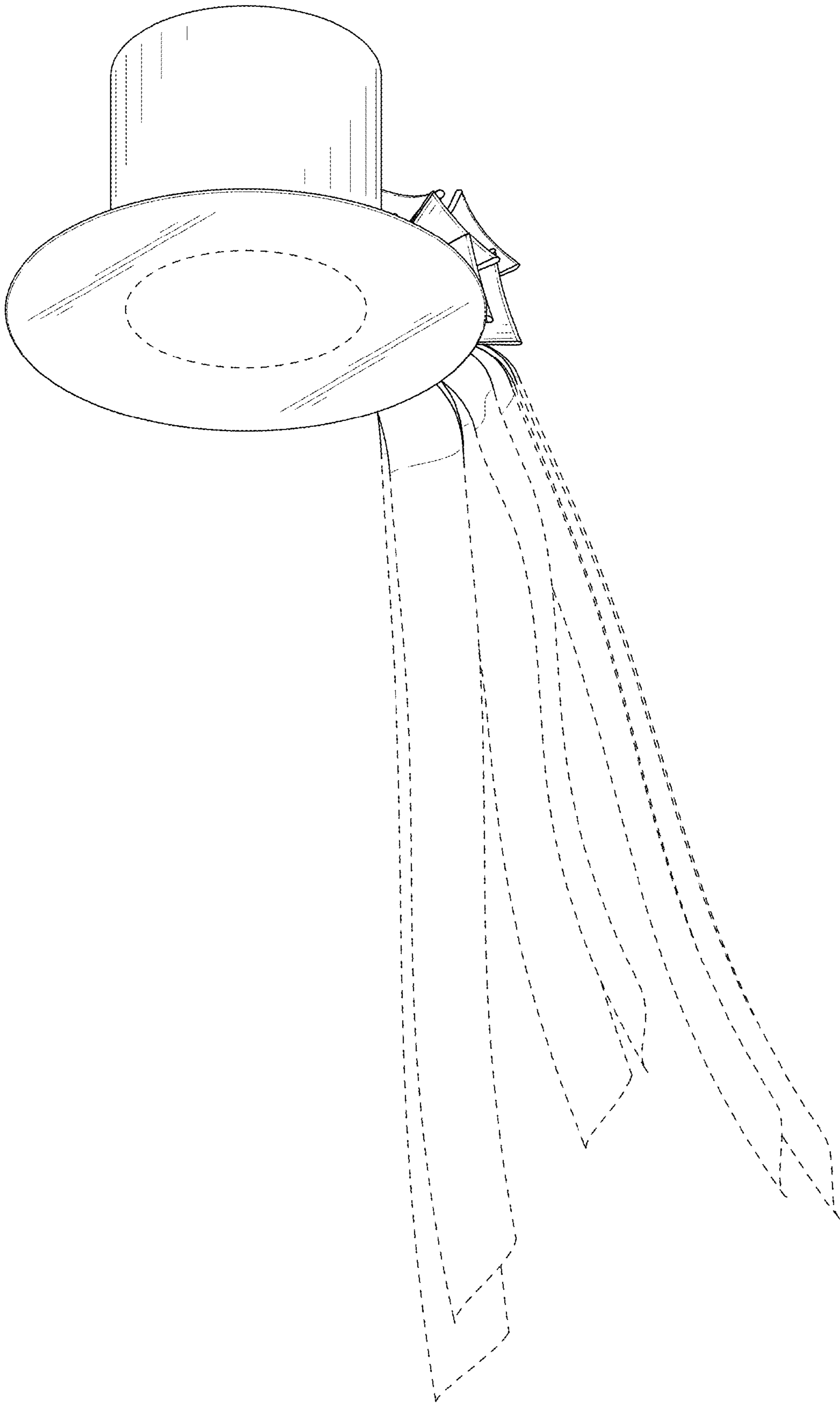


FIG. 2

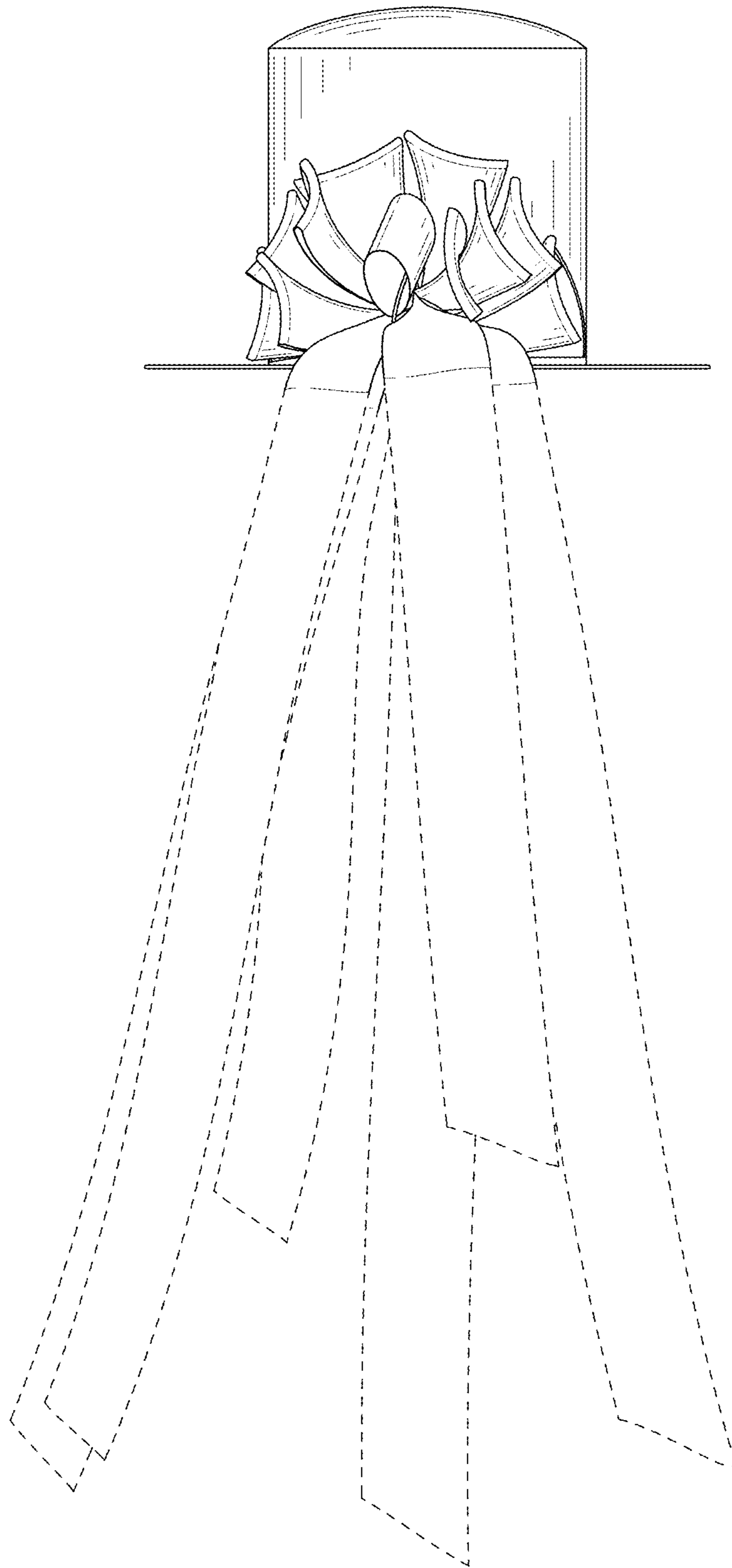


FIG. 3

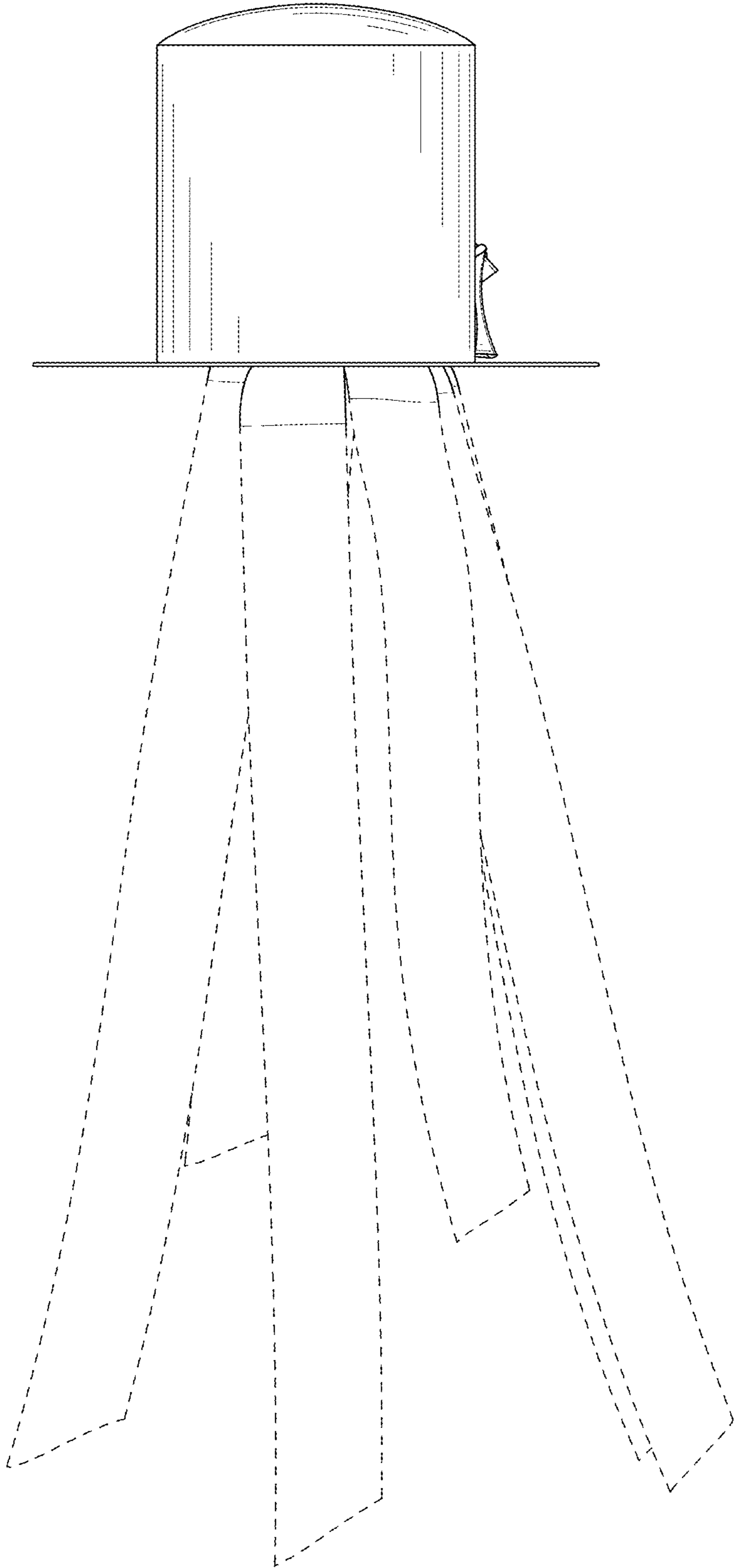


FIG. 4

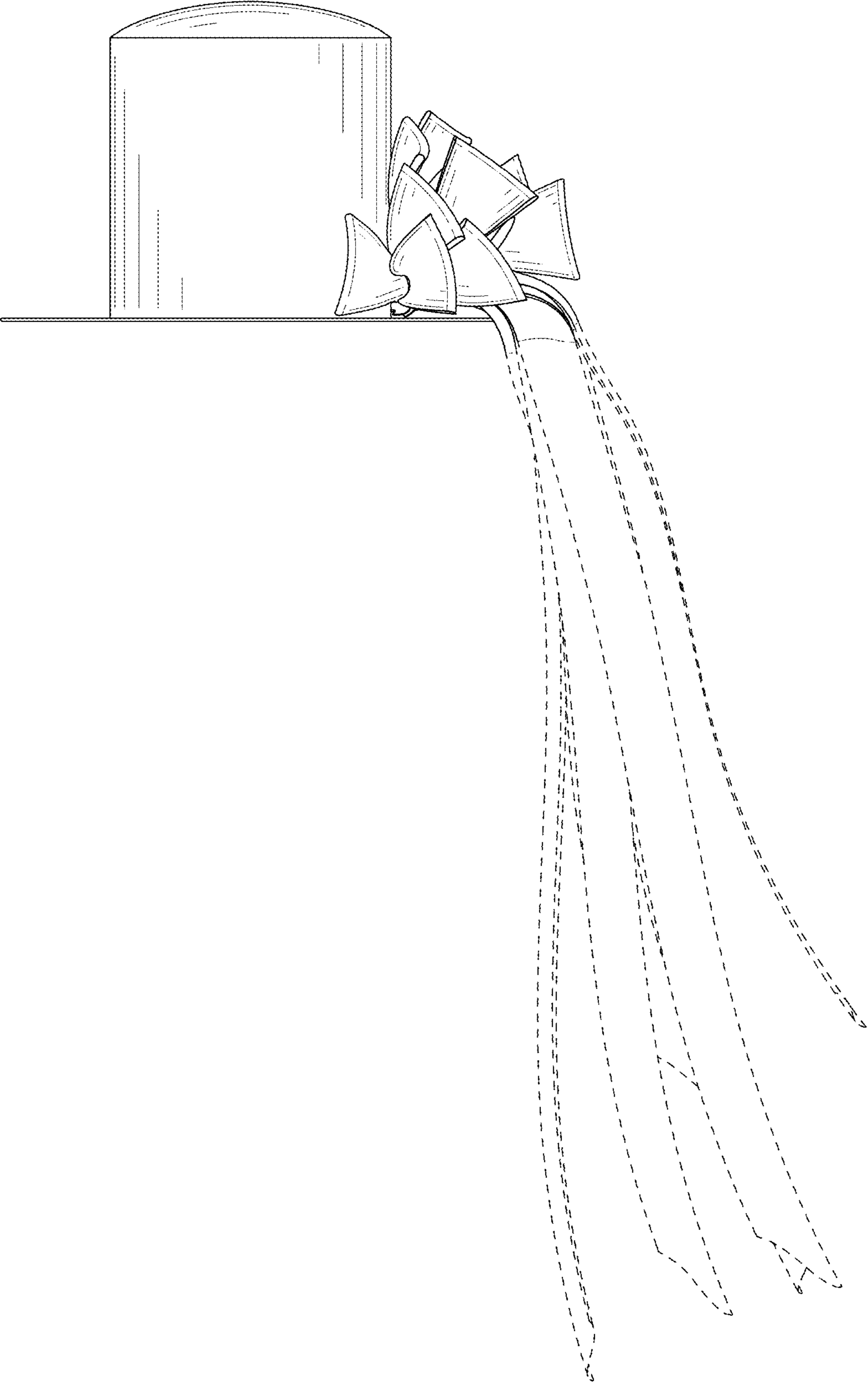


FIG. 5

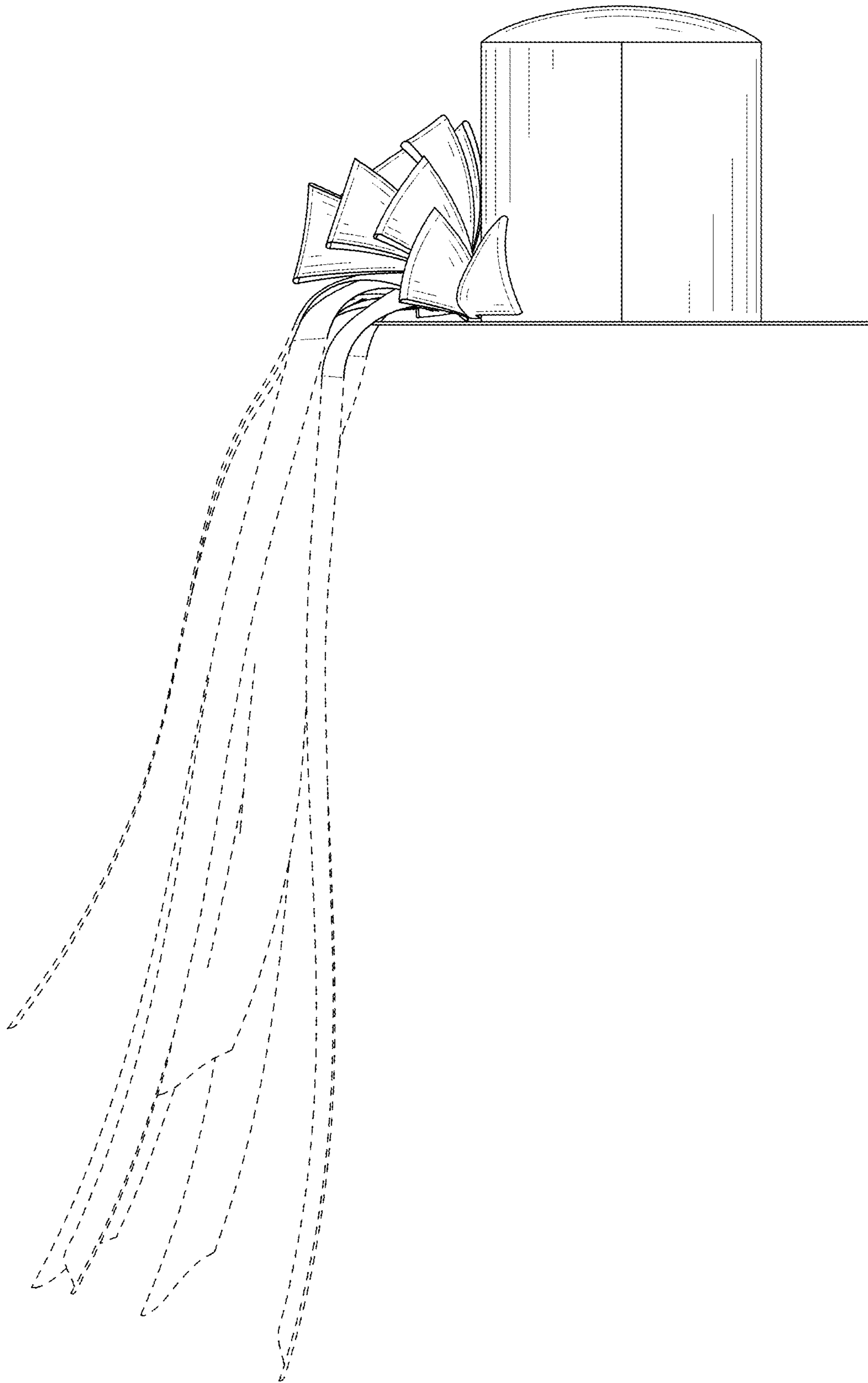


FIG. 6

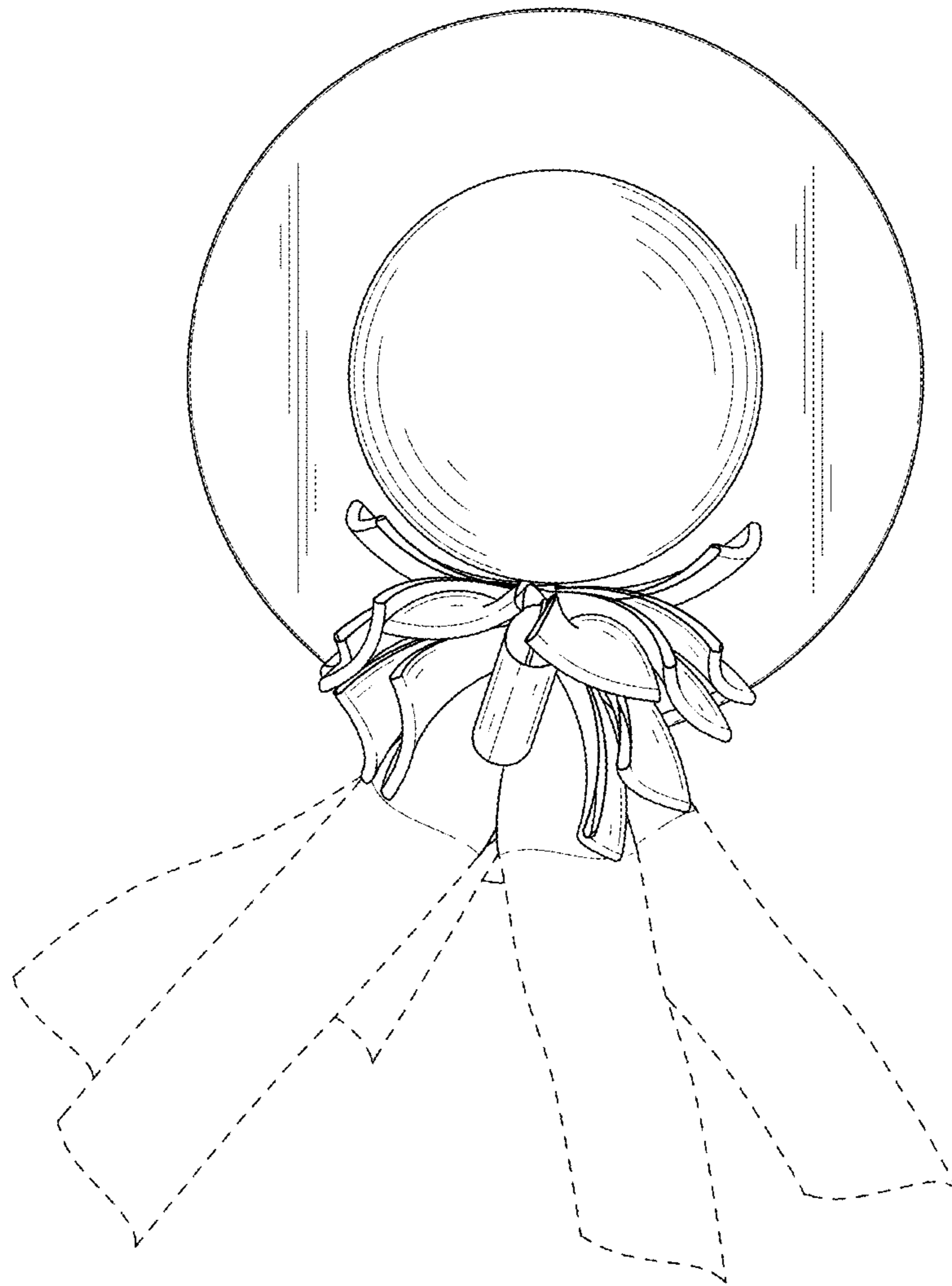


FIG. 7

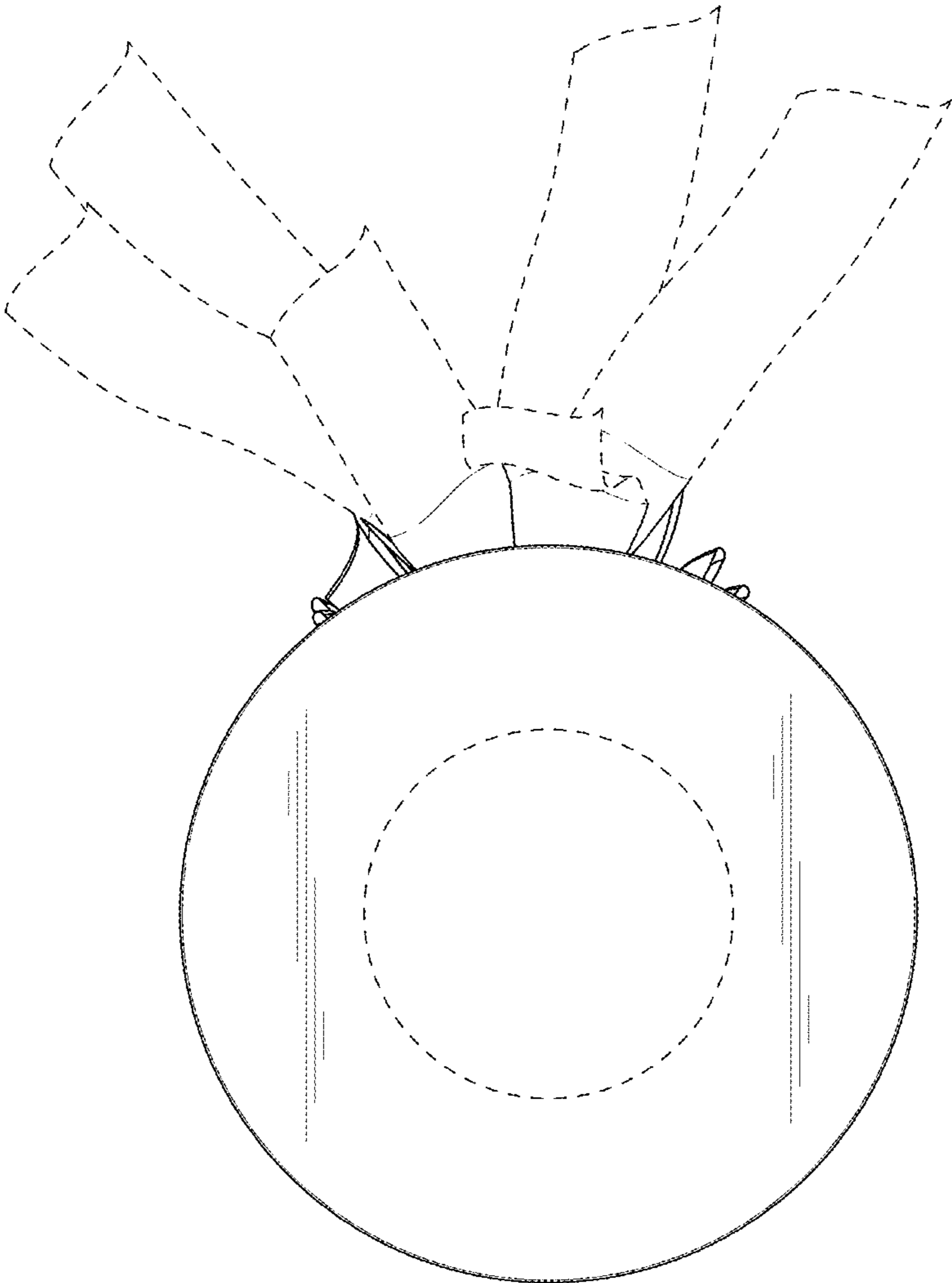


FIG. 8

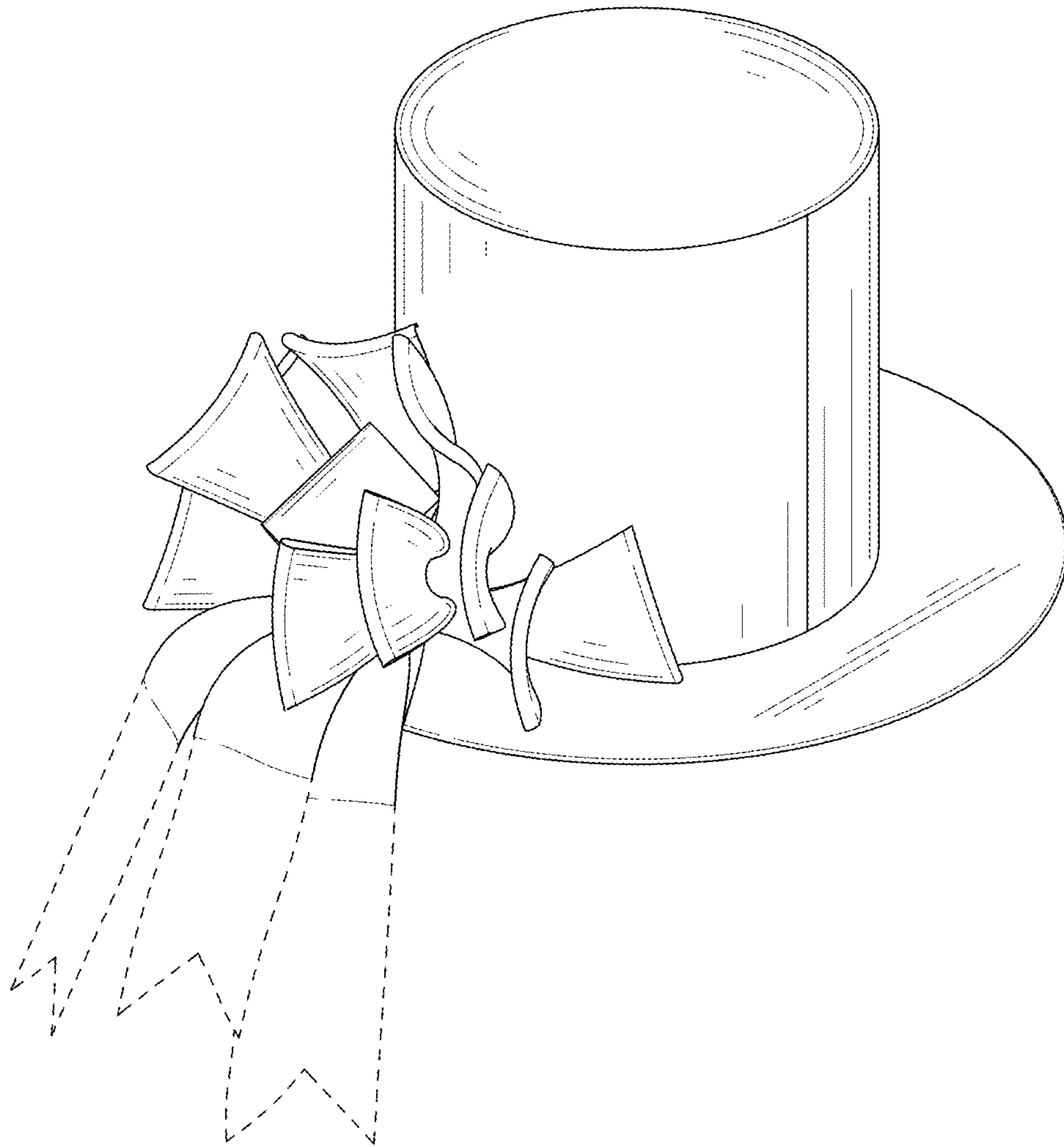


FIG. 9

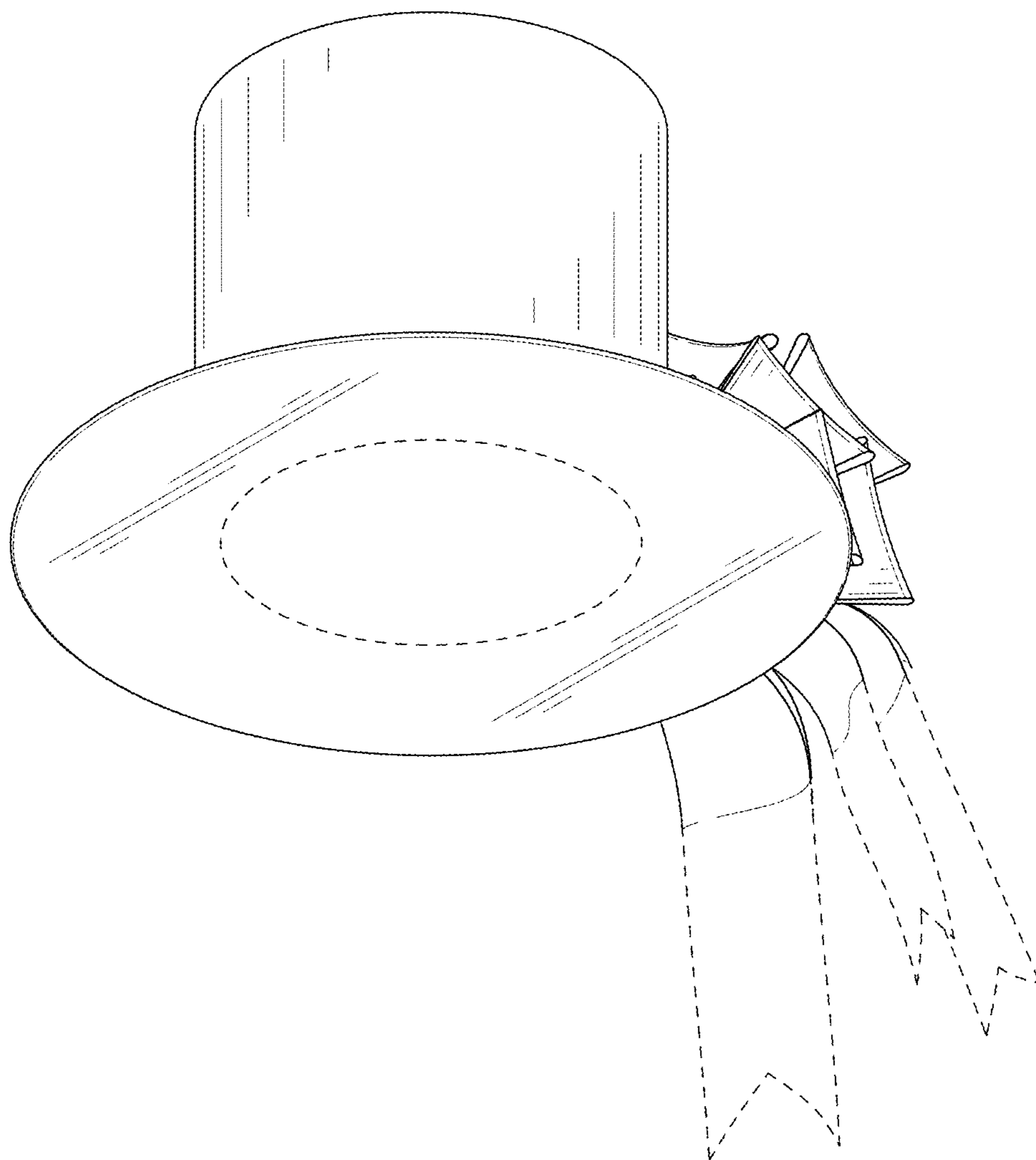


FIG. 10