



US00D974943S

(12) **United States Design Patent** (10) **Patent No.:** **US D974,943 S**
Lu (45) **Date of Patent:** **** Jan. 10, 2023**

(54) **WIND CHIME**

OTHER PUBLICATIONS

(71) Applicant: **Xiaolan Lu**, Shangyu (CN)

Amazon, Pgzsy Memorial Wind Chimes Outdoors, posted Aug. 9, 2021, [online], [visited Oct. 24, 2022]. Internet, <URL: https://www.amazon.com/Pgzsy-Memorial-Sympathy-Wind-Chime-Personalized/dp/B09C5L984V/ref> (Year: 2021).*

(72) Inventor: **Xiaolan Lu**, Shangyu (CN)

Amazon, tujol Wind Chimes for Outside, posted Apr. 27, 2021, [online], [visited Oct. 25, 2022]. Internet, <URL: https://www.amazon.com/tujol-Chimes-Outside-Outdoor-Memorial/dp/B093L2616T/ref> (Year: 2021).*

(**) Term: **15 Years**

Amazon, UpBlend Outdoors Wind Chimes for Outside, posted Apr. 25, 2016, [online], [visited Oct. 25, 2022]. Internet, <URL: https://www.amazon.com/dp/B01ES06MLS/ref> (Year: 2016).*

(21) Appl. No.: **29/836,985**

Amazon, Head Sun Memorial Wind chimes, posted Jan. 4, 2021, [online], [visited Oct. 25, 2022]. Internet, <URL: https://www.amazon.com.au/Head-Sun-Clearance-Windchimes-Memorial/dp/B08RYGKTZ3?th=1> (Year: 2021).*

(22) Filed: **Apr. 29, 2022**

(51) **LOC (14) Cl.** **10-05**

(52) **U.S. Cl.**

USPC **D10/118.1**

(58) **Field of Classification Search**

USPC D10/118.1, 116.1, 116, 118, 118.2, 104.1

CPC G10D 13/08; G10D 13/00; G10D 13/06;

G10D 13/10; F21V 23/0471

See application file for complete search history.

* cited by examiner

Primary Examiner — Samantha Wood

(74) *Attorney, Agent, or Firm* — Georgi Korobanov

(56) **References Cited**

U.S. PATENT DOCUMENTS

D279,873 S * 7/1985 Neely D10/116.1
D285,669 S * 9/1986 Brockmann D11/141
D404,671 S * 1/1999 Stannard D10/116.1
D414,283 S * 9/1999 Gibson D10/116.1
D420,613 S * 2/2000 Williams D10/116.1
D684,081 S 6/2013 Prestage
9,024,161 B1 * 5/2015 Strong G10K 1/08
84/403

D879,639 S 3/2020 Harshman
10,847,132 B1 * 11/2020 Miller G10D 13/08
D910,472 S * 2/2021 Xu D10/116.1
2007/0019404 A1 * 1/2007 Chen F21S 9/037
362/192

FOREIGN PATENT DOCUMENTS

IN 314712-001 * 2/2019

(57) **CLAIM**

The ornamental design for a wind chime, as shown and described.

DESCRIPTION

FIG. 1 is a perspective view of a wind chime, showing my new design;

FIG. 2 is another perspective view thereof;

FIG. 3 is a front view thereof;

FIG. 4 is a rear view thereof;

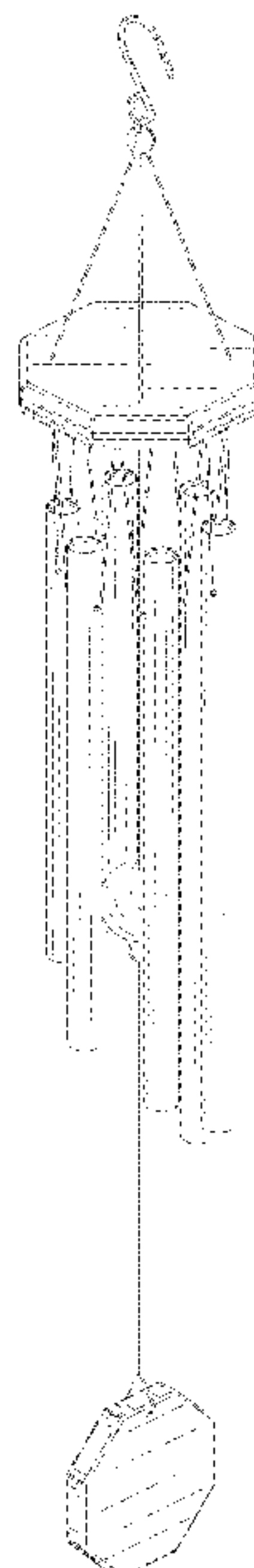
FIG. 5 is a left side view thereof;

FIG. 6 is a right side view thereof;

FIG. 7 is an enlarged top plan view thereof; and,

FIG. 8 is an enlarged bottom plan view thereof.

1 Claim, 8 Drawing Sheets



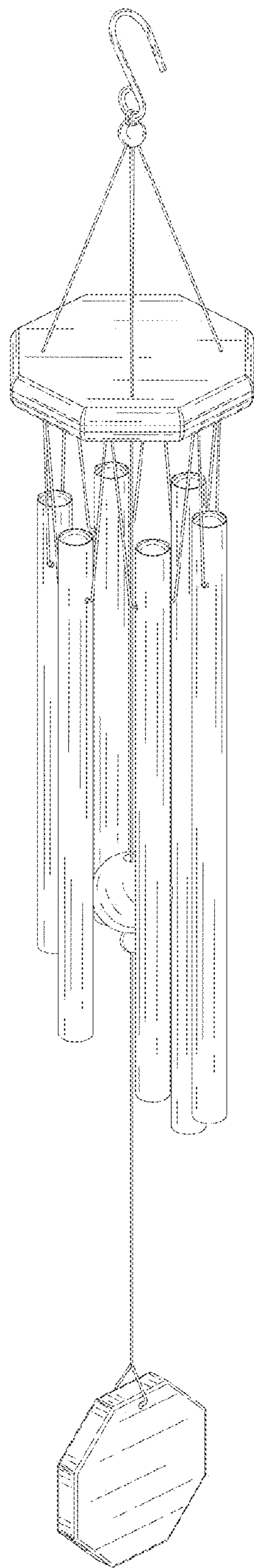


FIG. 1

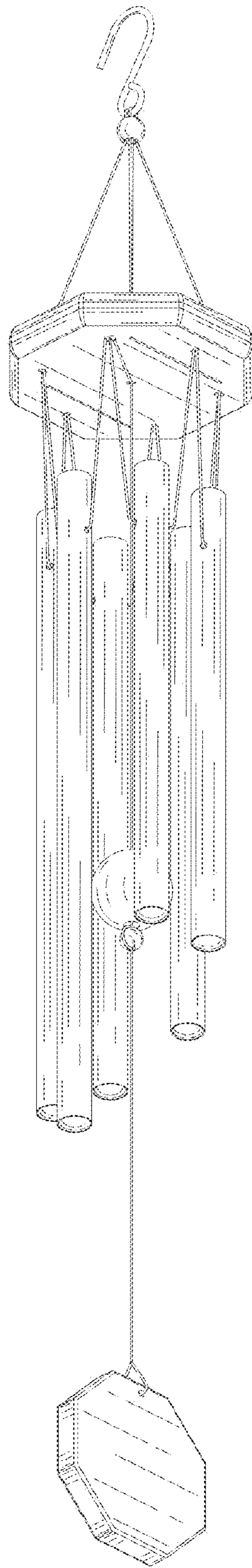


FIG. 2

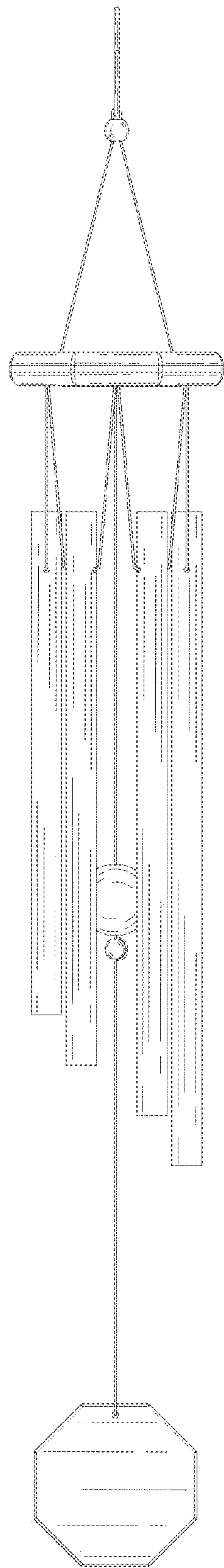


FIG. 3

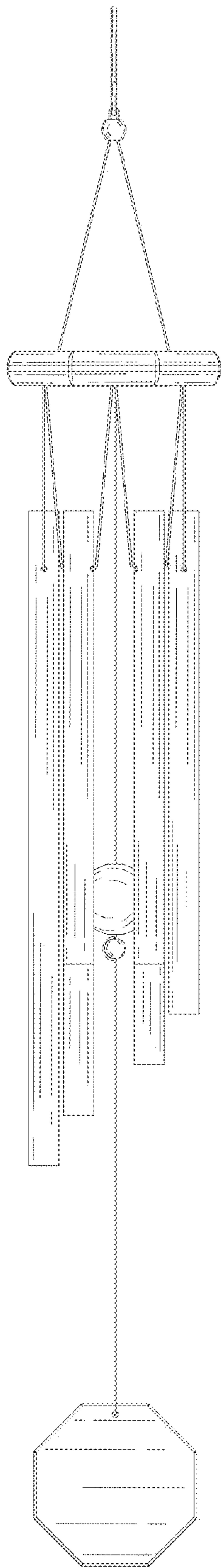


FIG. 4

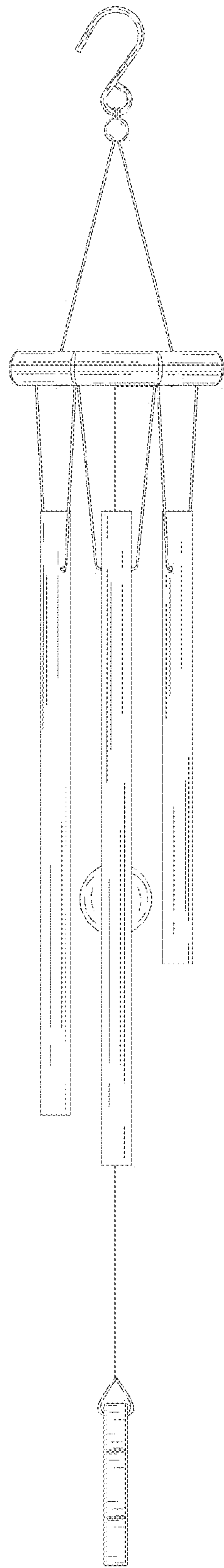


FIG. 5

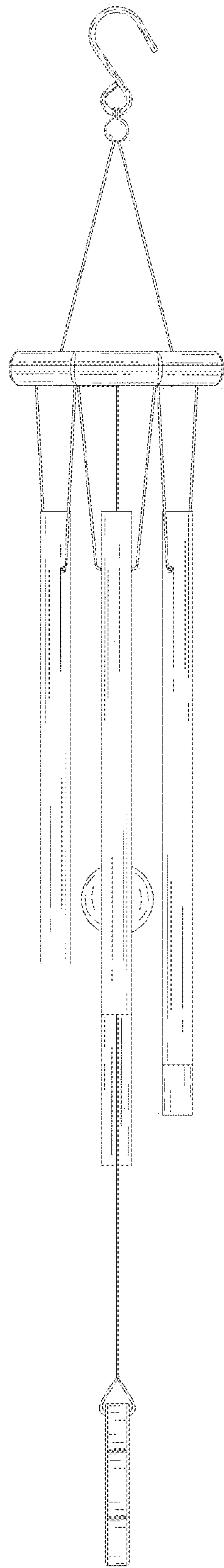


FIG. 6

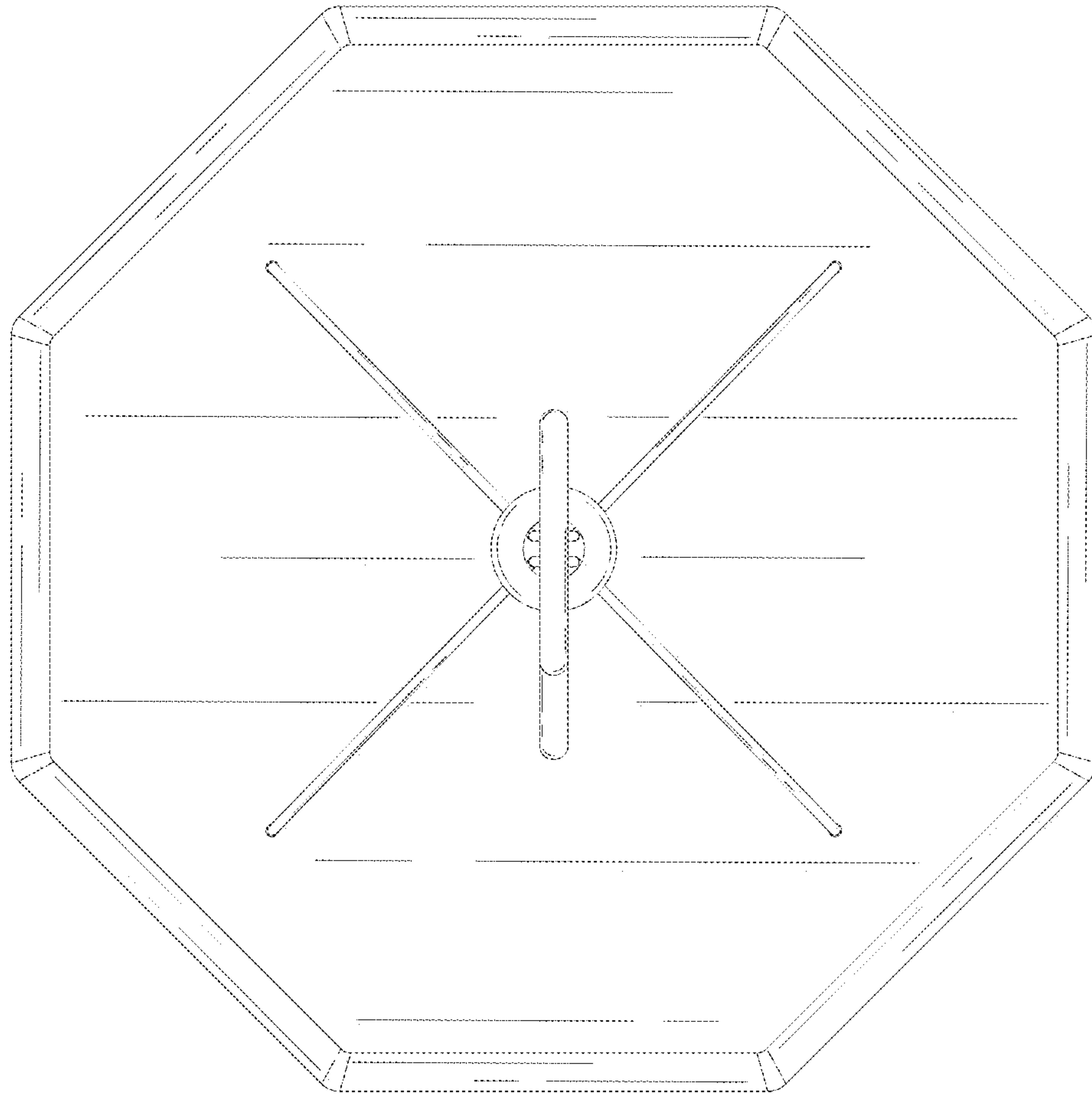


FIG. 7

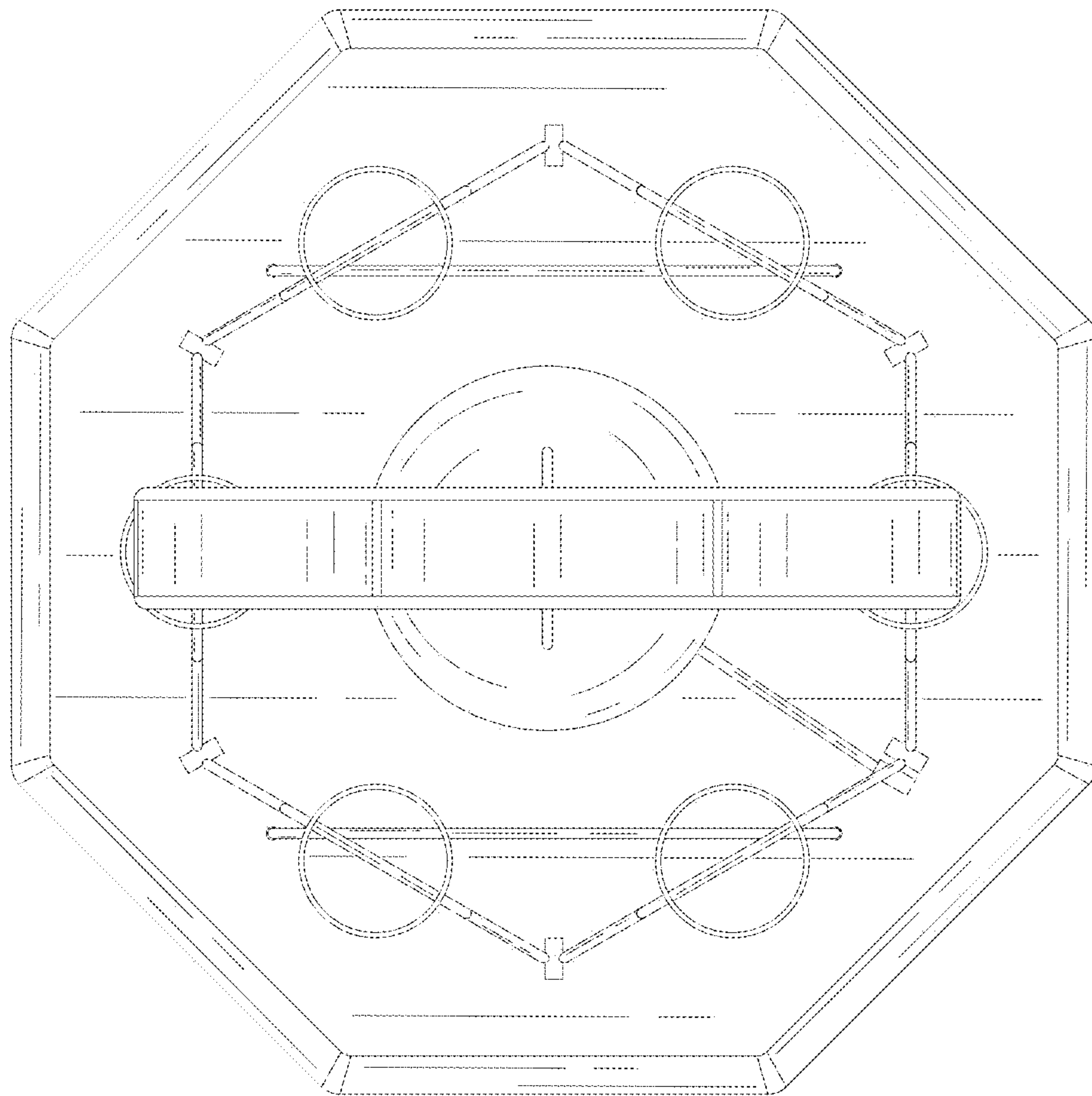


FIG. 8