



US00D974942S

(12) **United States Design Patent** (10) **Patent No.:** **US D974,942 S**
Lu et al. (45) **Date of Patent:** **** Jan. 10, 2023**

(54) **DOORBELL**

(71) Applicant: **Amazon Technologies, Inc.**, Seattle, WA (US)

(72) Inventors: **Wen-Yo Lu**, Pasadena, CA (US); **Matthew J. England**, Santa Monica, CA (US); **Christopher Loew**, Palo Alto, CA (US); **James Siminoff**, Pacific Palisades, CA (US); **Mark D. Siminoff**, Mountain View, CA (US); **Mei Hsuan Chen**, Seattle, WA (US)

(73) Assignee: **Amazon Technologies, Inc.**, Seattle, WA (US)

(**) Term: **15 Years**

(21) Appl. No.: **29/767,959**

(22) Filed: **Jan. 26, 2021**

(51) **LOC (14) Cl.** **10-05**

(52) **U.S. Cl.**
USPC **D10/118**

(58) **Field of Classification Search**
USPC D10/106.6, 106.7, 106.8, 116.1, 118, D10/118.1, 118.2, 121-124, 126; D13/171, 174; D14/358; D16/202, 203, D16/208, 209, 215
CPC . A63H 30/00; G08B 3/00; G08B 3/10; G08B 7/00; G08B 7/06; G08B 13/1436; G08B 13/1463; G08B 13/1481; G10K 1/00; G10K 1/07; G10K 1/10; G10K 1/63; G10K 3/00; G10K 9/00

See application file for complete search history.

(56) **References Cited**

U.S. PATENT DOCUMENTS

D415,652 S * 10/1999 Loew D7/392.1
D574,742 S * 8/2008 Spencer D10/118
D726,179 S * 4/2015 Orthey D14/420
D789,820 S * 6/2017 Siminoff D10/118.2

D802,463 S * 11/2017 Siminoff D10/118.2
D819,476 S * 6/2018 Siminoff D10/118.2
D820,707 S * 6/2018 Siminoff D10/118.2
D840,858 S * 2/2019 Siminoff D10/118.2
D848,299 S * 5/2019 Li D10/118.2
D848,300 S * 5/2019 Siminoff D10/118.2
D859,200 S * 9/2019 Siminoff D10/118.2

(Continued)

FOREIGN PATENT DOCUMENTS

CN 201730438269 * 5/2018
CN 202030110392.3 * 9/2020

OTHER PUBLICATIONS

Ring Video Doorbell Wired, reviewed on Feb. 20, 2021 on amazon.com, retrieved from the internet Aug. 1, 2022. <URL:https://www.amazon.com/Ring-Video-Doorbell-Wired/dp/B08CKHPP52/ref=sr_1_1_sspa> (Year: 2021).*

Primary Examiner — Joseph Kukella

Assistant Examiner — Heather Ann Laaveg Wencil

(74) *Attorney, Agent, or Firm* — Lee & Hayes, P.C.

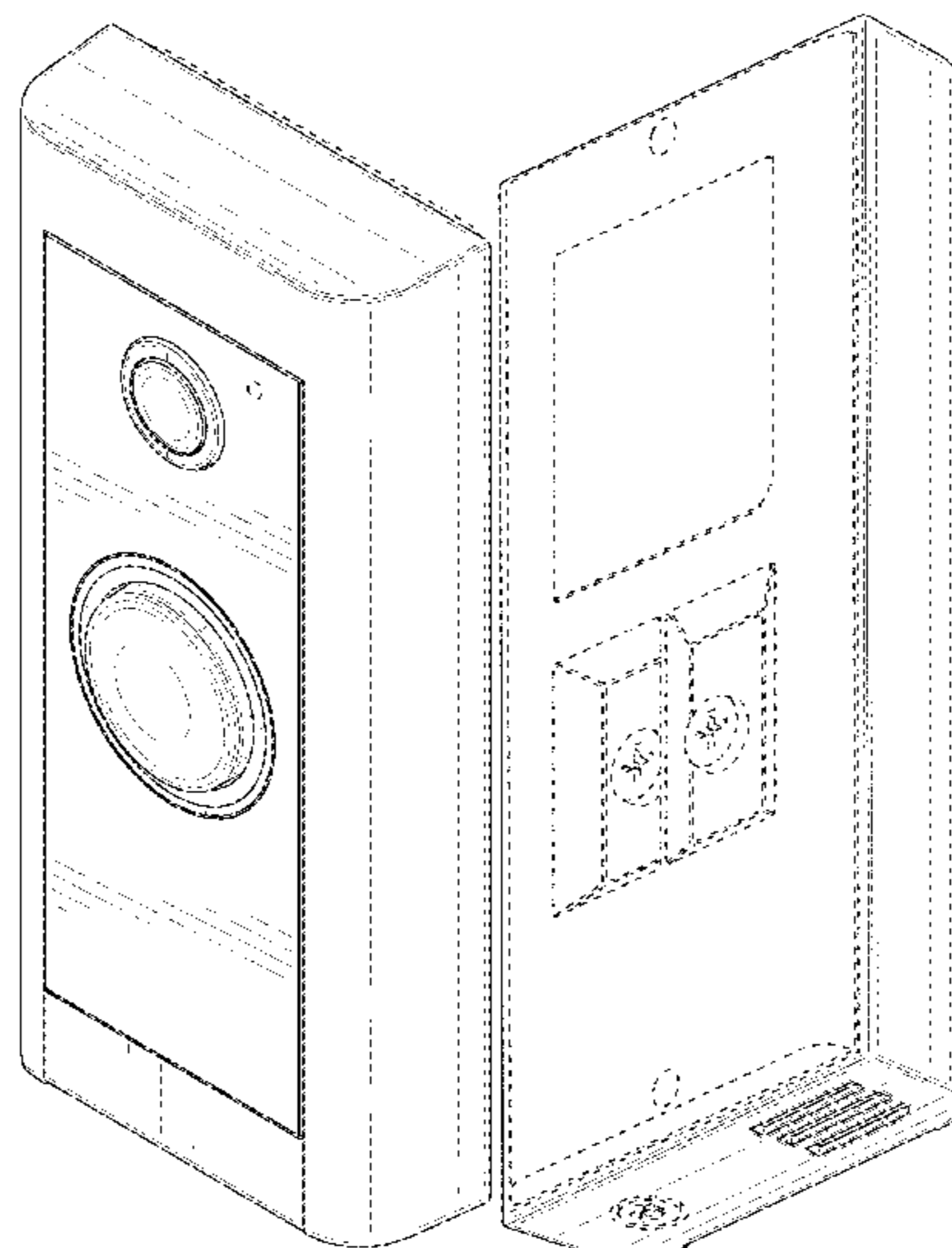
(57) **CLAIM**

The ornamental design for a doorbell, as shown and described.

DESCRIPTION

FIG. 1 is a top, front, right-side perspective view of a doorbell;
FIG. 2 is a bottom, back, left-side perspective view thereof;
FIG. 3 is a front elevation view thereof;
FIG. 4 is a back elevation view thereof;
FIG. 5 is a right-side elevation view thereof;
FIG. 6 is a left-side elevation view thereof;
FIG. 7 is a top plan view thereof; and,
FIG. 8 is a bottom plan view thereof.
The dashed broken lines depict portions of the doorbell that form no part of the claimed design.

1 Claim, 8 Drawing Sheets



(56)

References Cited

U.S. PATENT DOCUMENTS

D860,176 S * 9/2019 Siminoff H01H 13/50
D14/240
D866,381 S * 11/2019 Siminoff G08B 3/10
D10/118.2
D889,300 S * 7/2020 Siminoff H04N 5/23206
D10/118.2
D891,377 S * 7/2020 Ahrari D13/168
D901,471 S * 11/2020 Siminoff G08B 13/19628
D14/240
D945,979 S * 3/2022 Lu D14/204
2017/0272653 A1 * 9/2017 Siminoff H04N 5/23206
2018/0247504 A1 * 8/2018 Siminoff G06V 20/52
2018/0261060 A1 * 9/2018 Siminoff G08B 13/19628
2021/0159032 A1 * 5/2021 Kuo H01H 13/50
2022/0131224 A1 * 4/2022 Chen G08B 3/10

* cited by examiner

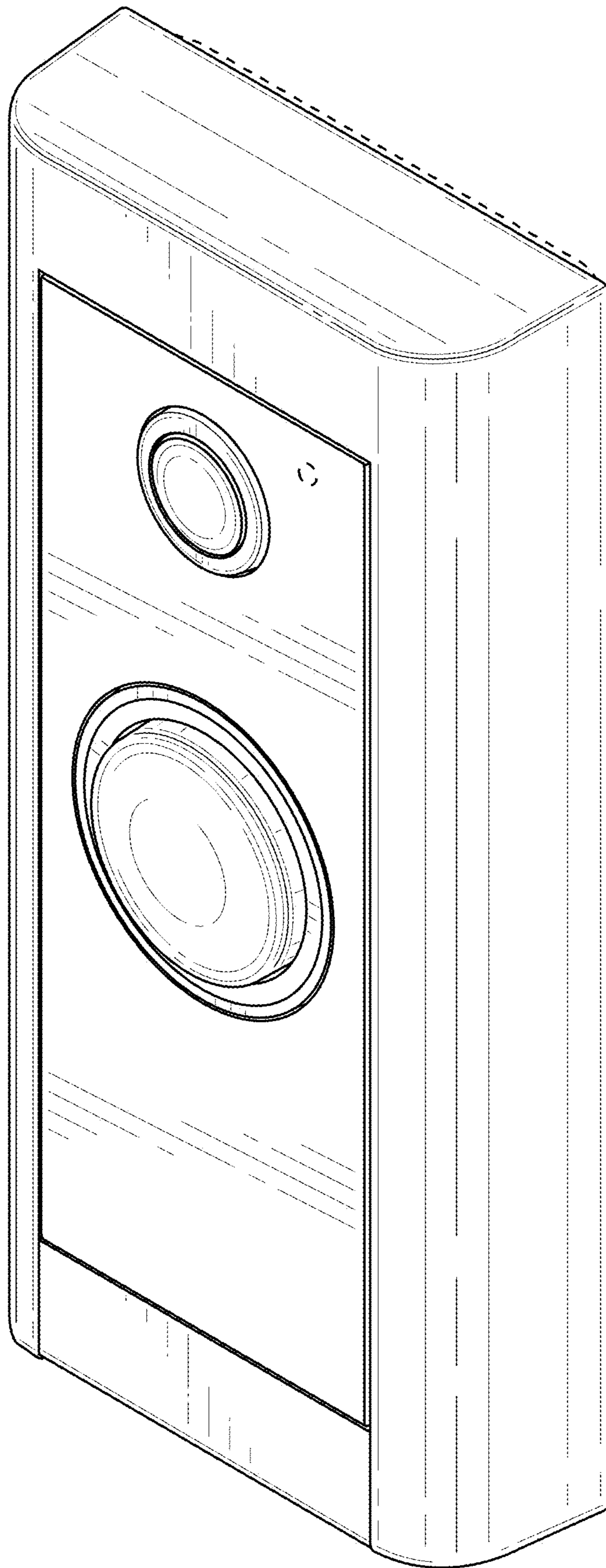


FIG. 1

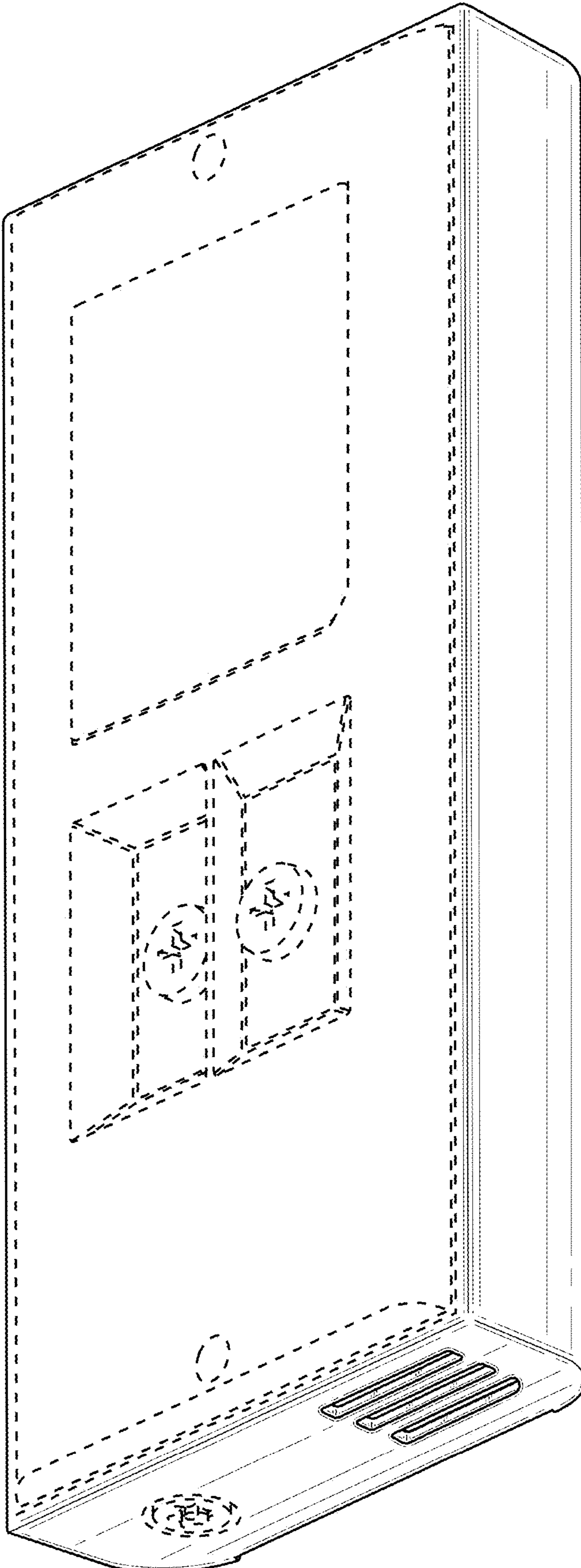


FIG. 2

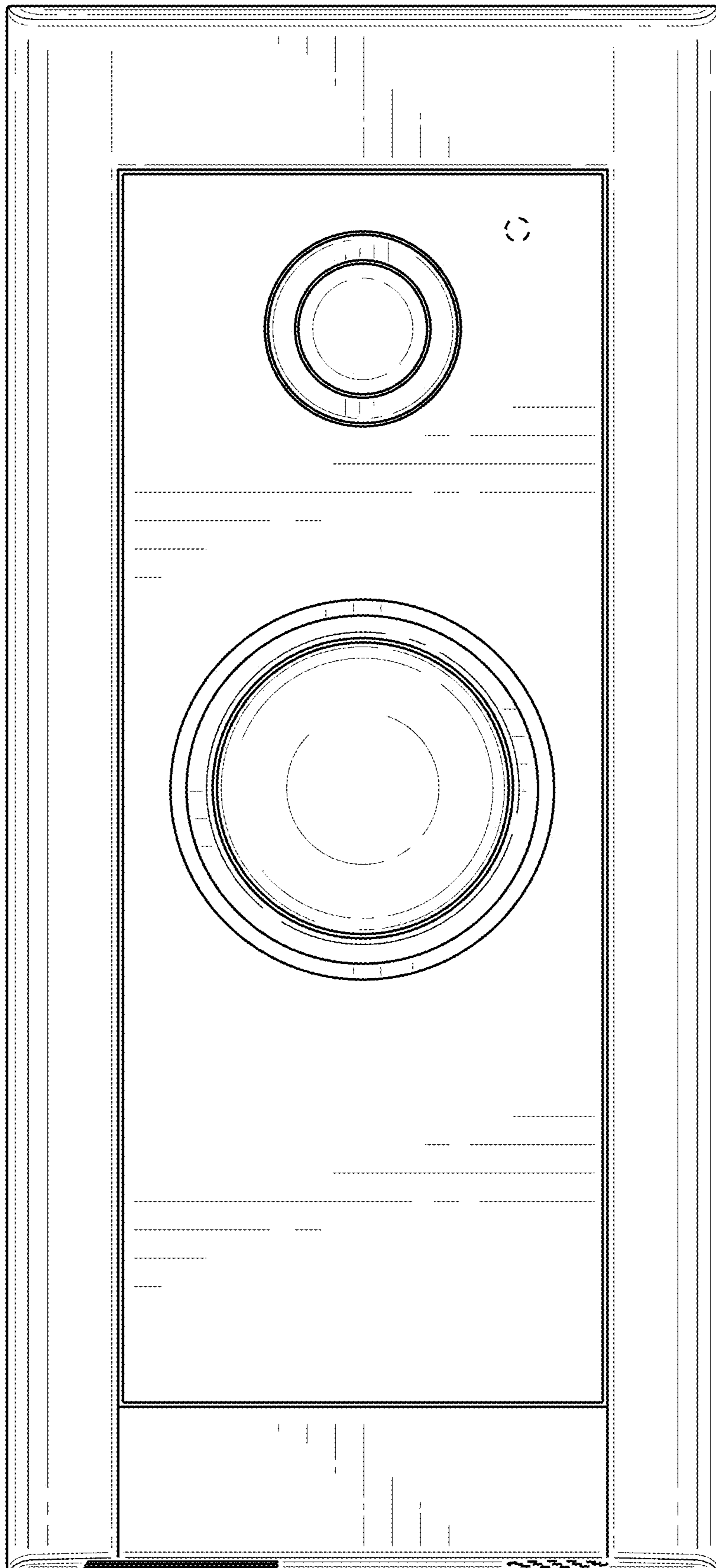


FIG. 3

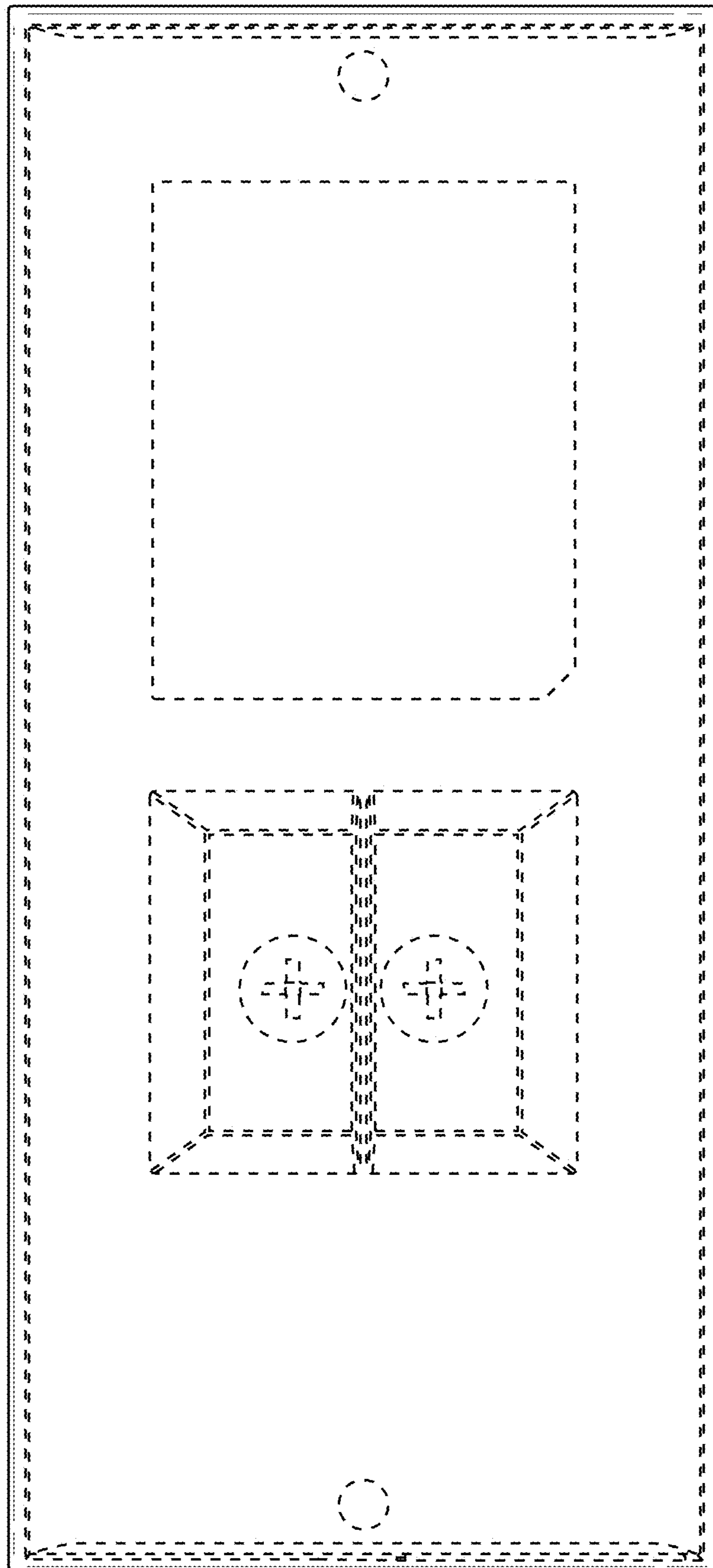


FIG. 4

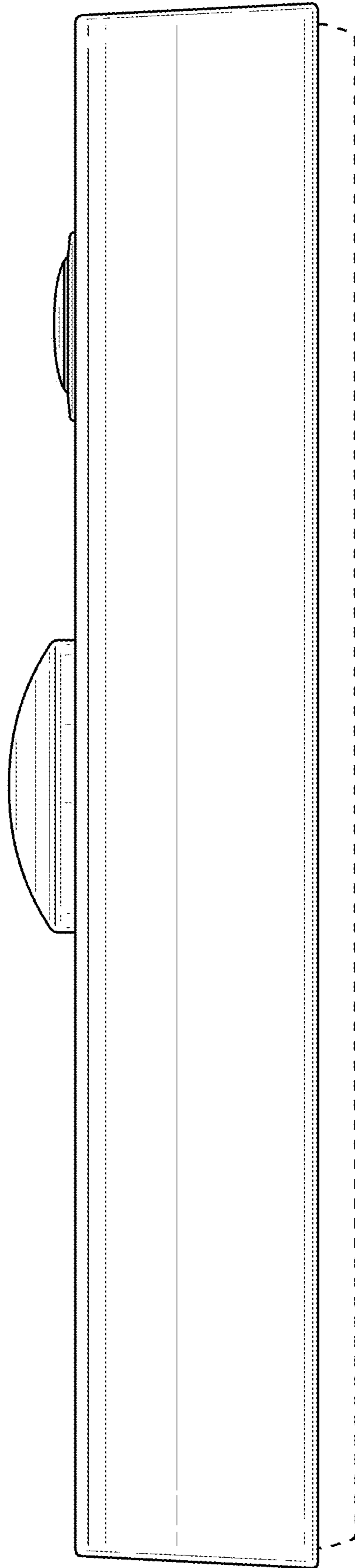


FIG. 5

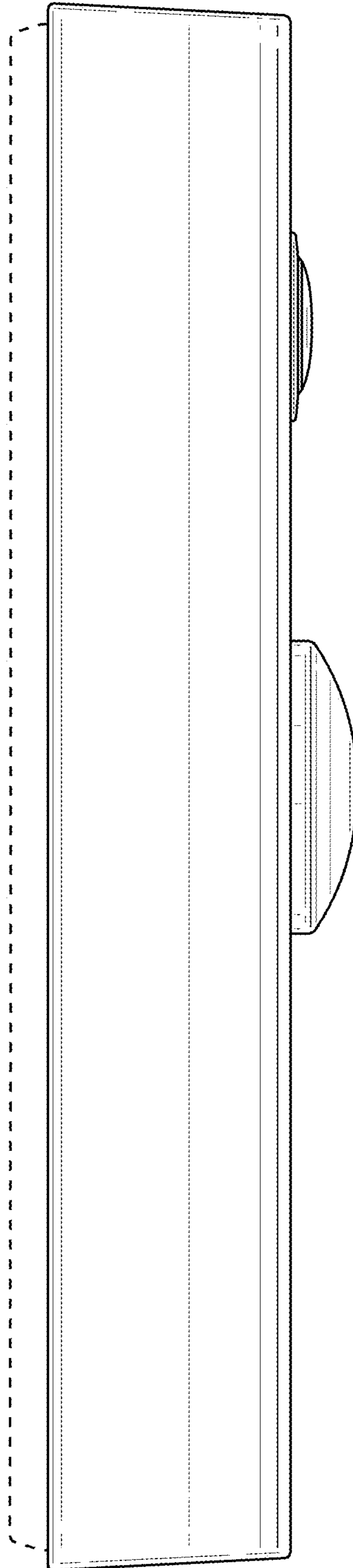


FIG. 6

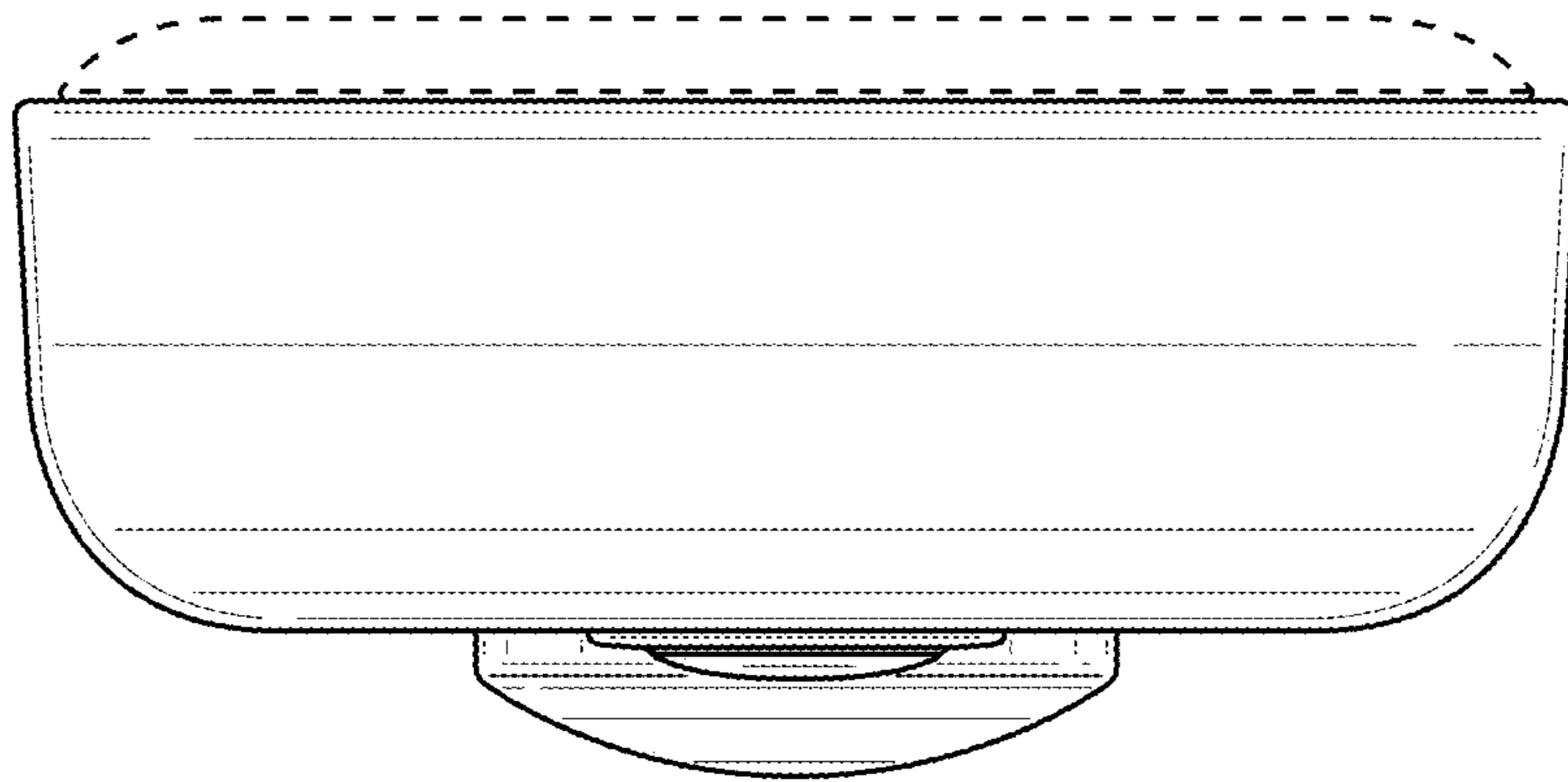


FIG. 7

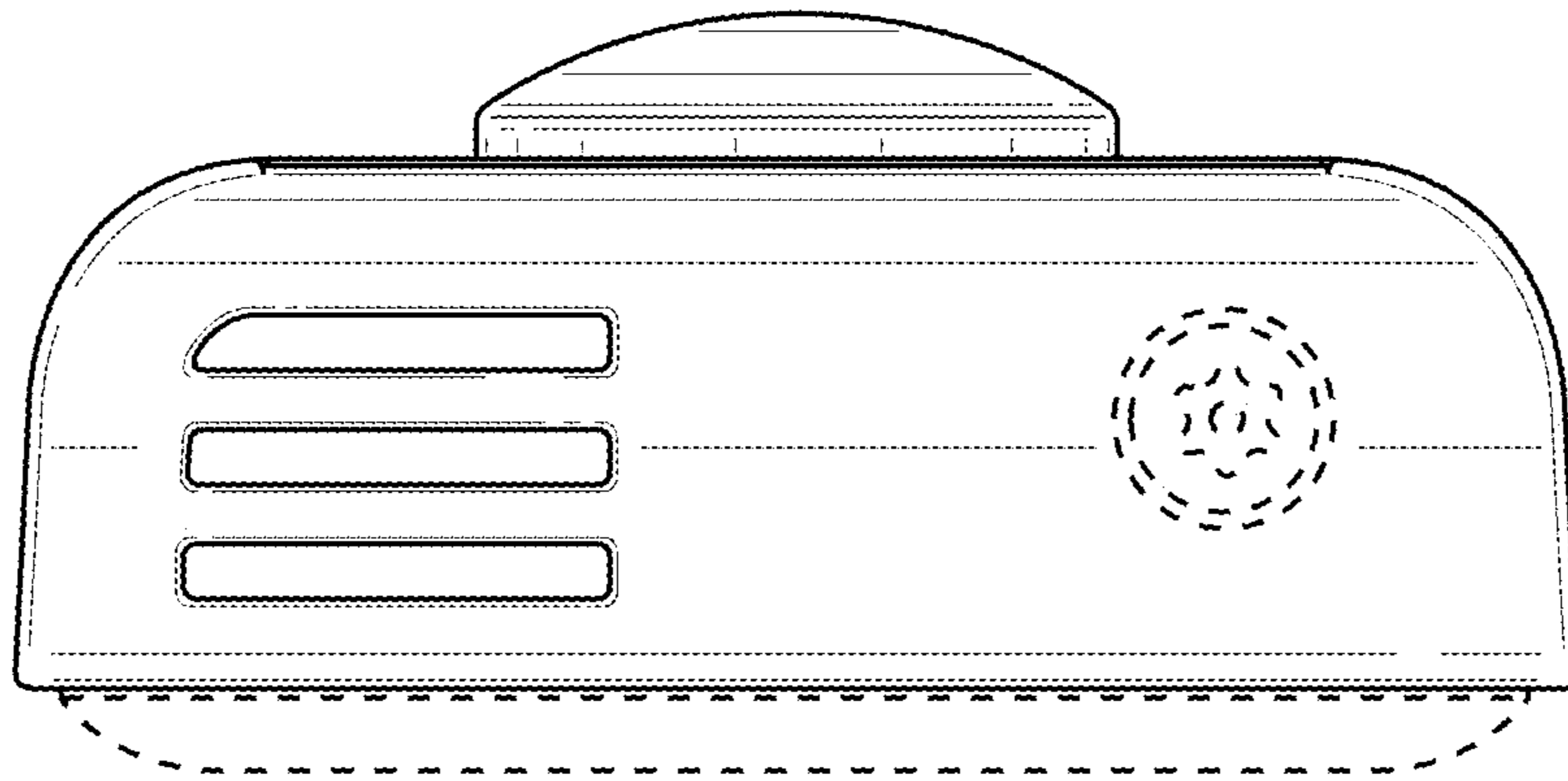


FIG. 8