



US00D974941S

(12) **United States Design Patent** (10) **Patent No.:** **US D974,941 S**
Shen (45) **Date of Patent:** **** Jan. 10, 2023**

(54) **BEACON STROBE LIGHT**
(71) Applicant: **Junmin Shen**, Huizhou (CN)
(72) Inventor: **Junmin Shen**, Huizhou (CN)
(**) Term: **15 Years**
(21) Appl. No.: **29/792,415**
(22) Filed: **Mar. 28, 2022**
(51) **LOC (14) Cl.** **10-05**
(52) **U.S. Cl.**
USPC **D10/114.2**
(58) **Field of Classification Search**
USPC D10/40, 49, 41, 50, 52, 96, 97, 103,
D10/106.1, 104.1, 104.2, 109.2, 109.1,
D10/118, 118.1, 118.2, 105, 110, 111,
D10/112, 114.1, 114.3, 114.5, 114.2;
D26/28, 34, 36, 51
CPC .. G08B 25/001; G08B 25/009; G08B 25/016;
G08B 25/004; G08B 3/10; G08B
13/1427; E05C 17/00; E05C 17/02; E05C
17/54
See application file for complete search history.

D862,262 S * 10/2019 Chatzikonstantinou D10/96
D879,638 S * 3/2020 Pan D10/114.8
D901,319 S * 11/2020 Fuentes D10/114.2

FOREIGN PATENT DOCUMENTS

CN 201830153994 * 4/2018

OTHER PUBLICATIONS

Amazon, ESafety Lights Pipe Mount LED Emergency Warning Safety Light, posted Jan. 21, 2017, [online], [visited Oct. 17, 2022]. Internet, <URL: <https://www.amazon.com/B45L4PACT-85-265V-EMERGENCY-WARNING-SAFETY/dp/B01NAVR5GH/ref>> (Year: 2017).*

Amazon, AnTom Solar Battery LED Flashing Beacon Light, posted May 8, 2019, [online], [visited Oct. 17, 2022]. Internet, <URL: <https://www.amazon.co.uk/dp/B07RGYQFSN/ref>> (Year: 2019).*

Youtube, Amber 12V 32 LED Waterproof Magnetic Mounted Strobe Warning Light Beacon Strobe Emergency Light, posted Mar. 15, 2014, [online], [visited Oct. 17, 2022]. Internet, <URL: https://www.youtube.com/watch?v=ly_jem6RvZE> (Year: 2014).*

* cited by examiner

Primary Examiner — Samantha Wood

(57) **CLAIM**

The ornamental design for a beacon strobe light, as shown and described.

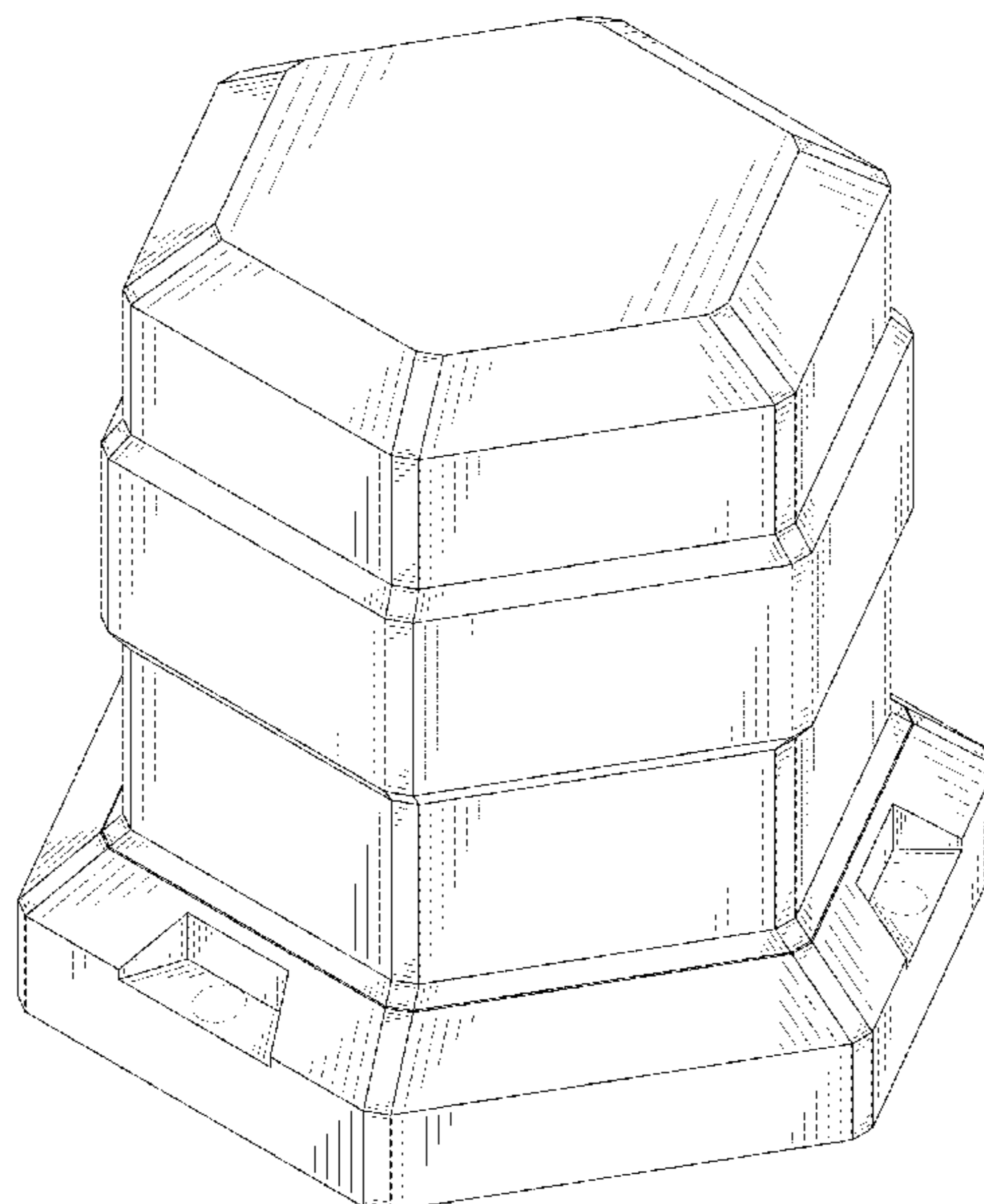
DESCRIPTION

FIG. 1 is a front and top perspective view of a beacon strobe light, showing my new design;
FIG. 2 is a rear and bottom perspective view thereof;
FIG. 3 is a front elevation view thereof;
FIG. 4 is a rear elevation view thereof
FIG. 5 is a left side elevation view thereof;
FIG. 6 is a right side elevation view thereof;
FIG. 7 is a top plan view thereof; and,
FIG. 8 is a bottom plan view thereof.
The broken lines in the figures illustrate portions of the beacon strobe light that form no part of the claimed design.

1 Claim, 8 Drawing Sheets

(56) **References Cited**
U.S. PATENT DOCUMENTS

D326,237 S * 5/1992 Gale D26/29
D513,477 S * 1/2006 Heftman D10/111
D554,554 S 11/2007 Dumbeck et al.
D570,722 S * 6/2008 Taylor D10/114.8
D577,194 S * 9/2008 Kovalik D3/269
D612,760 S * 3/2010 Chen D10/114.8
D654,387 S * 2/2012 Wilson D10/114.2
D669,807 S * 10/2012 Stein D10/114.2
D707,146 S * 6/2014 Bennett D10/114.2
9,228,713 B2 * 1/2016 Skertich, Jr. F21V 19/003
D779,986 S * 2/2017 Deyaf D10/114.5



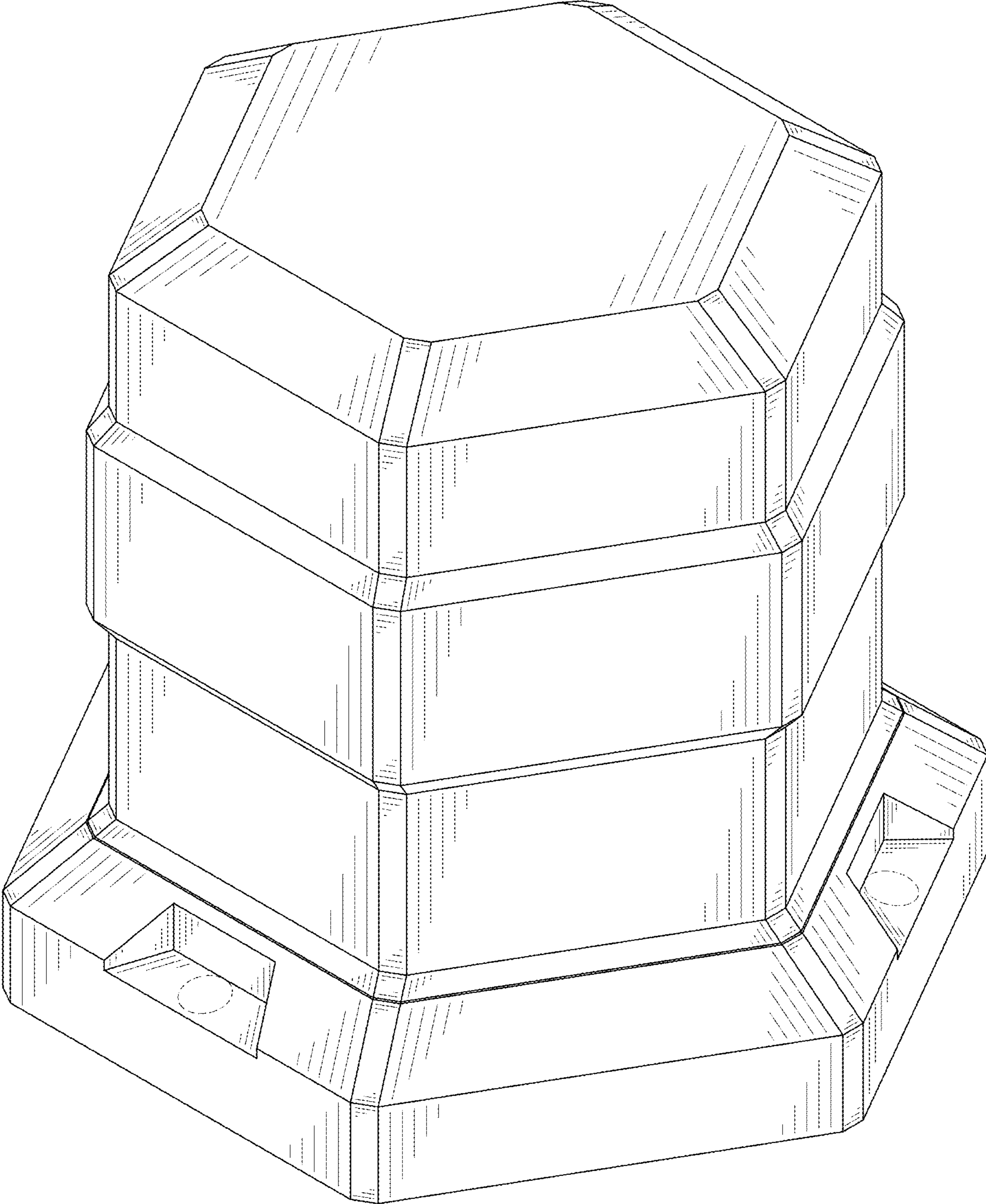


FIG. 1

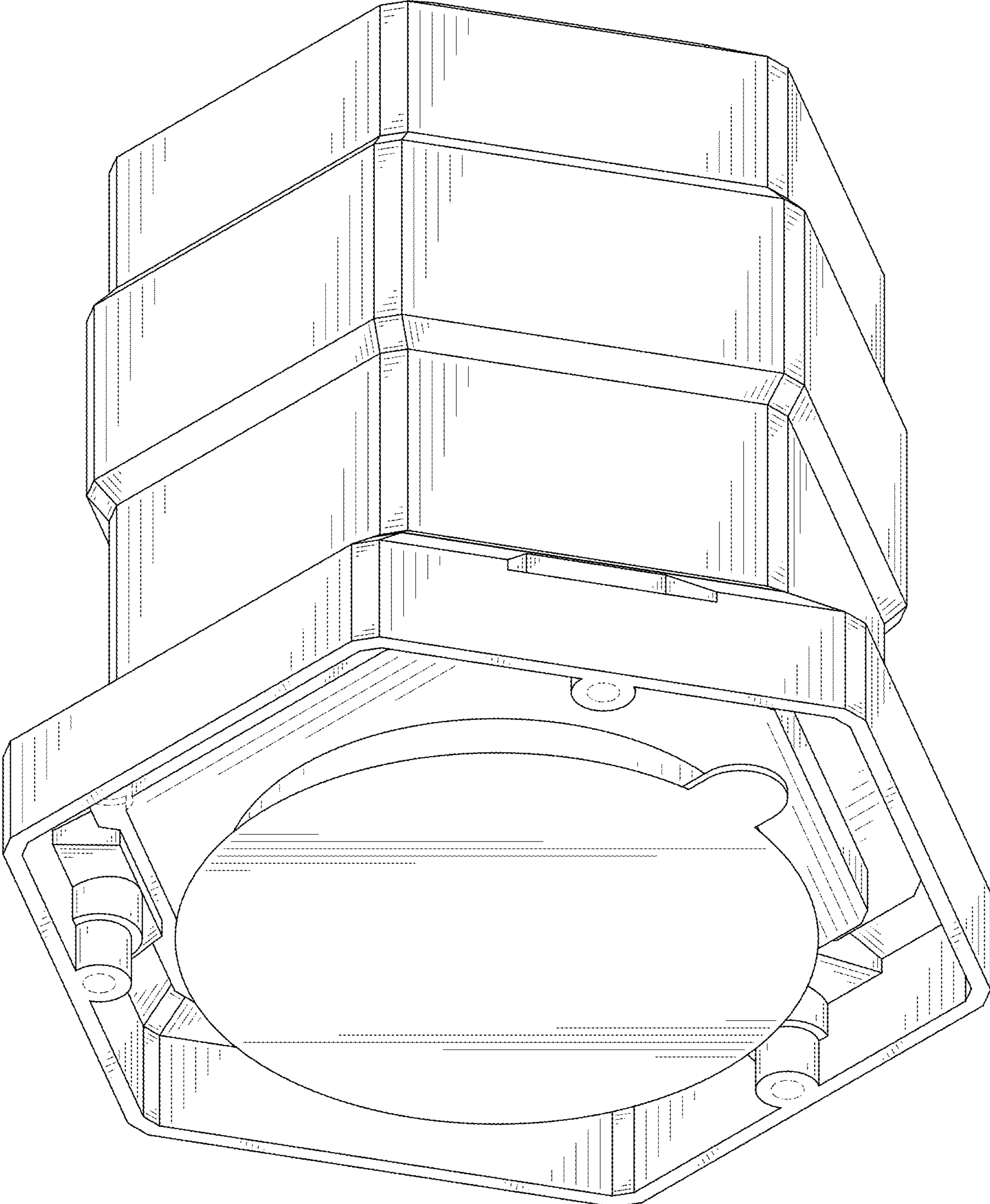


FIG. 2

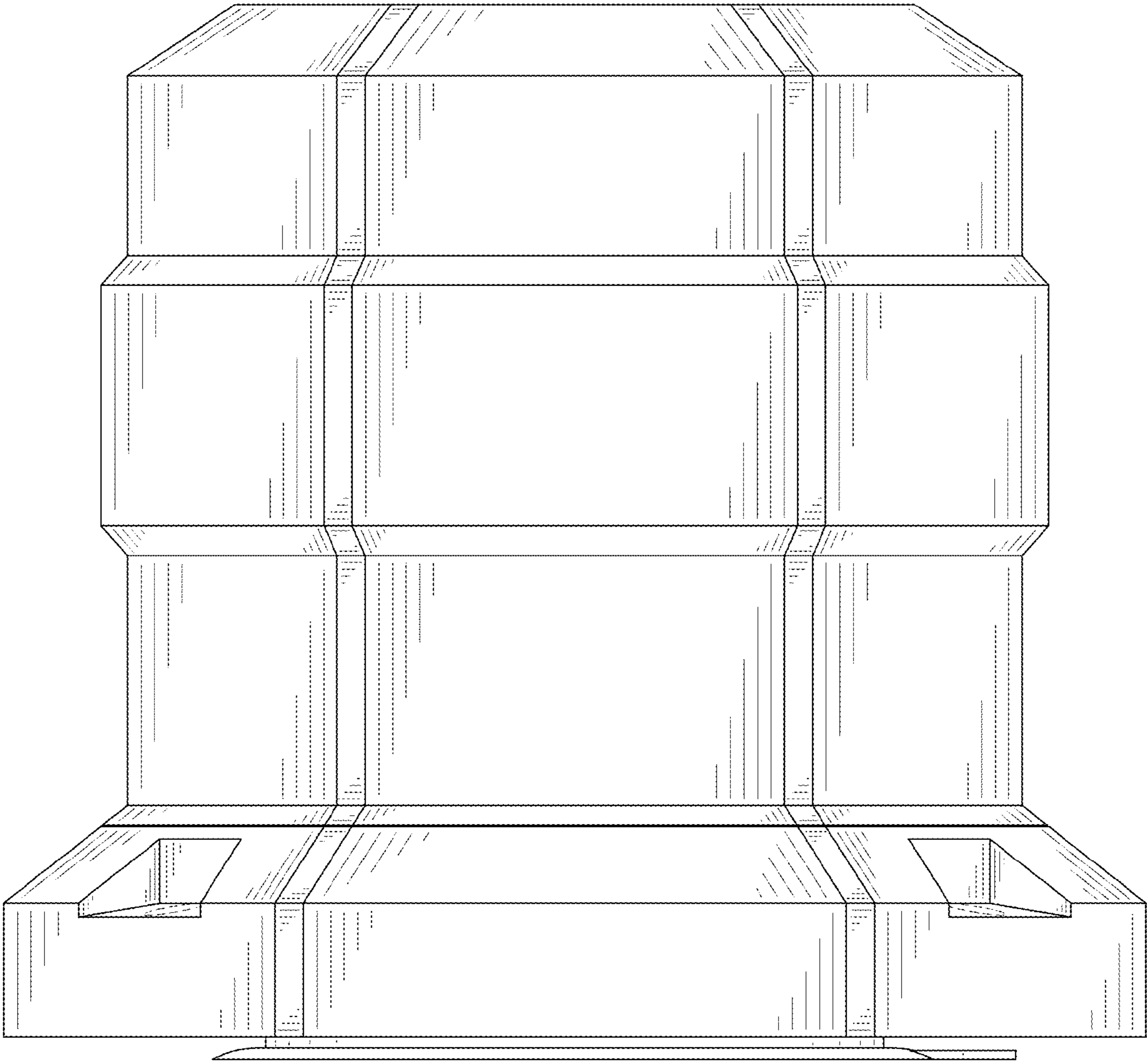


FIG. 3

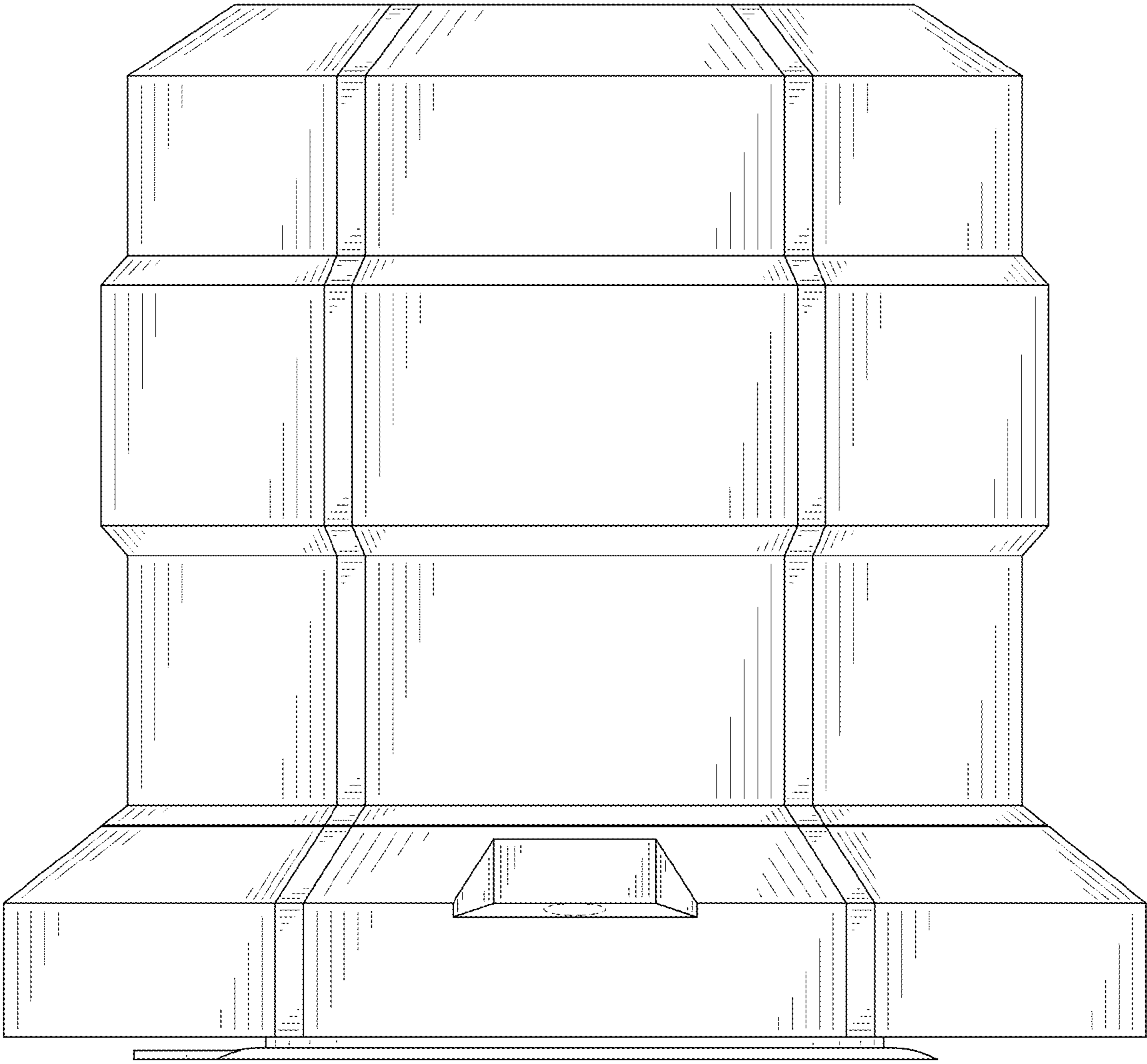


FIG. 4

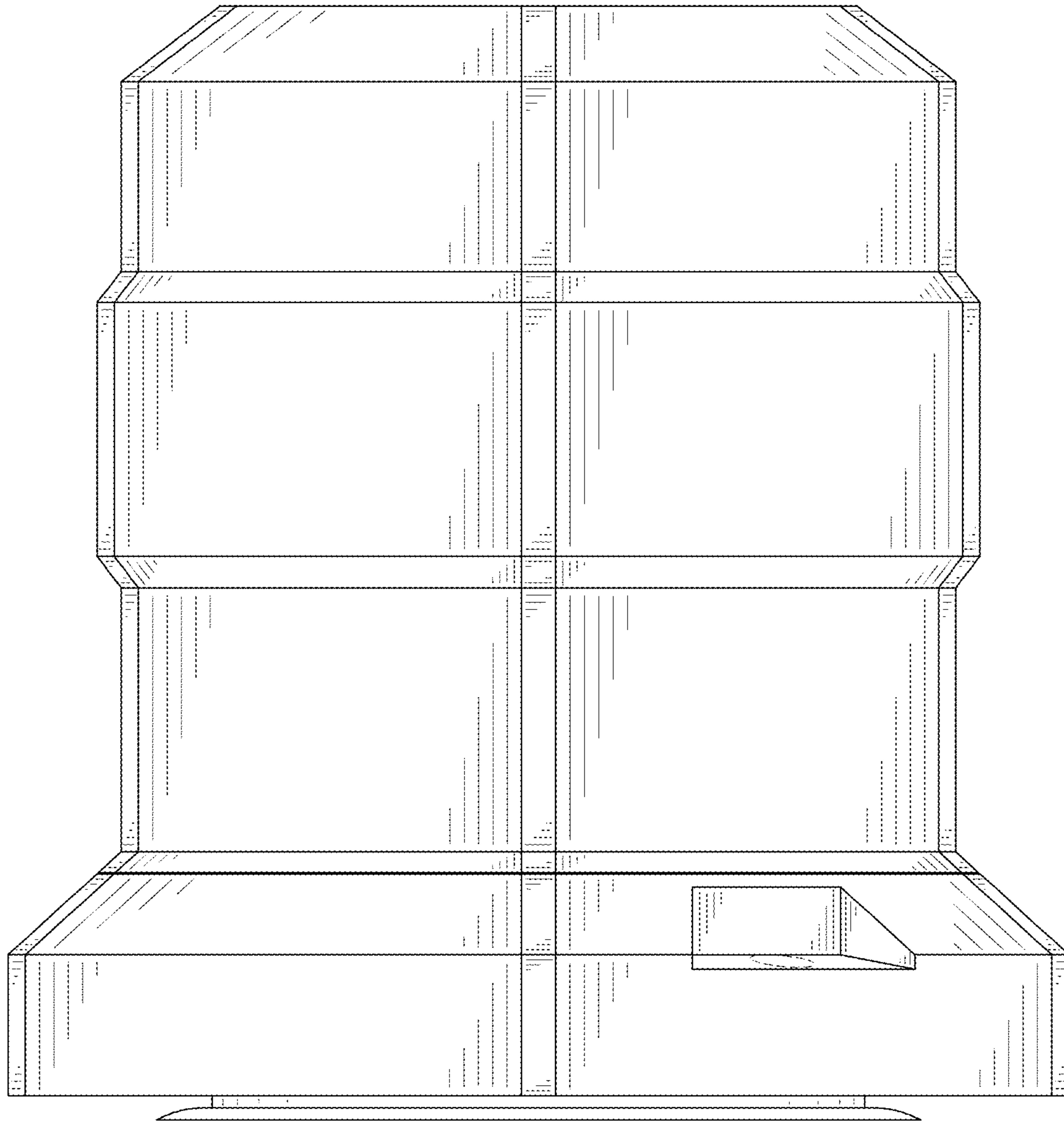


FIG. 5

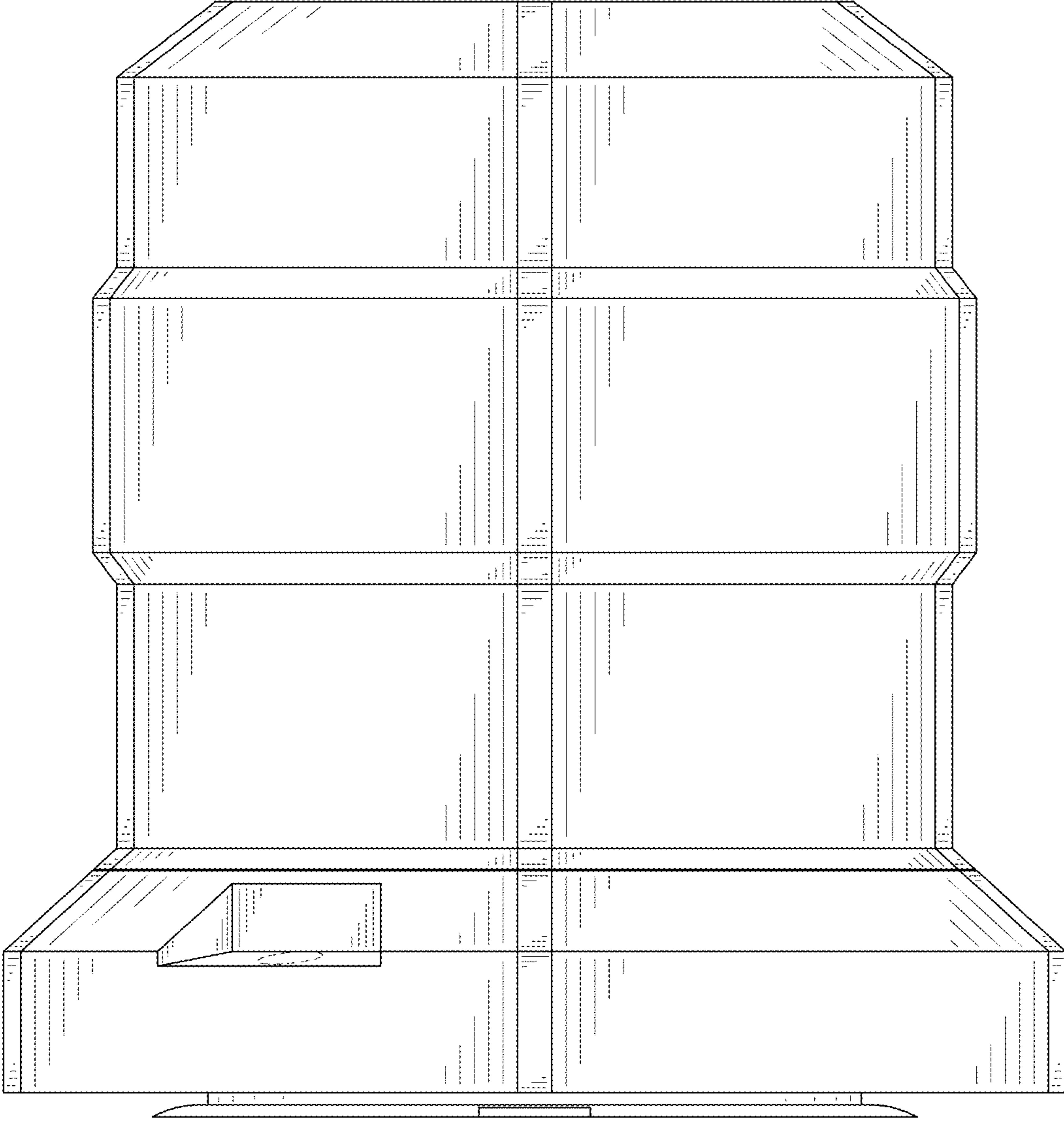


FIG. 6

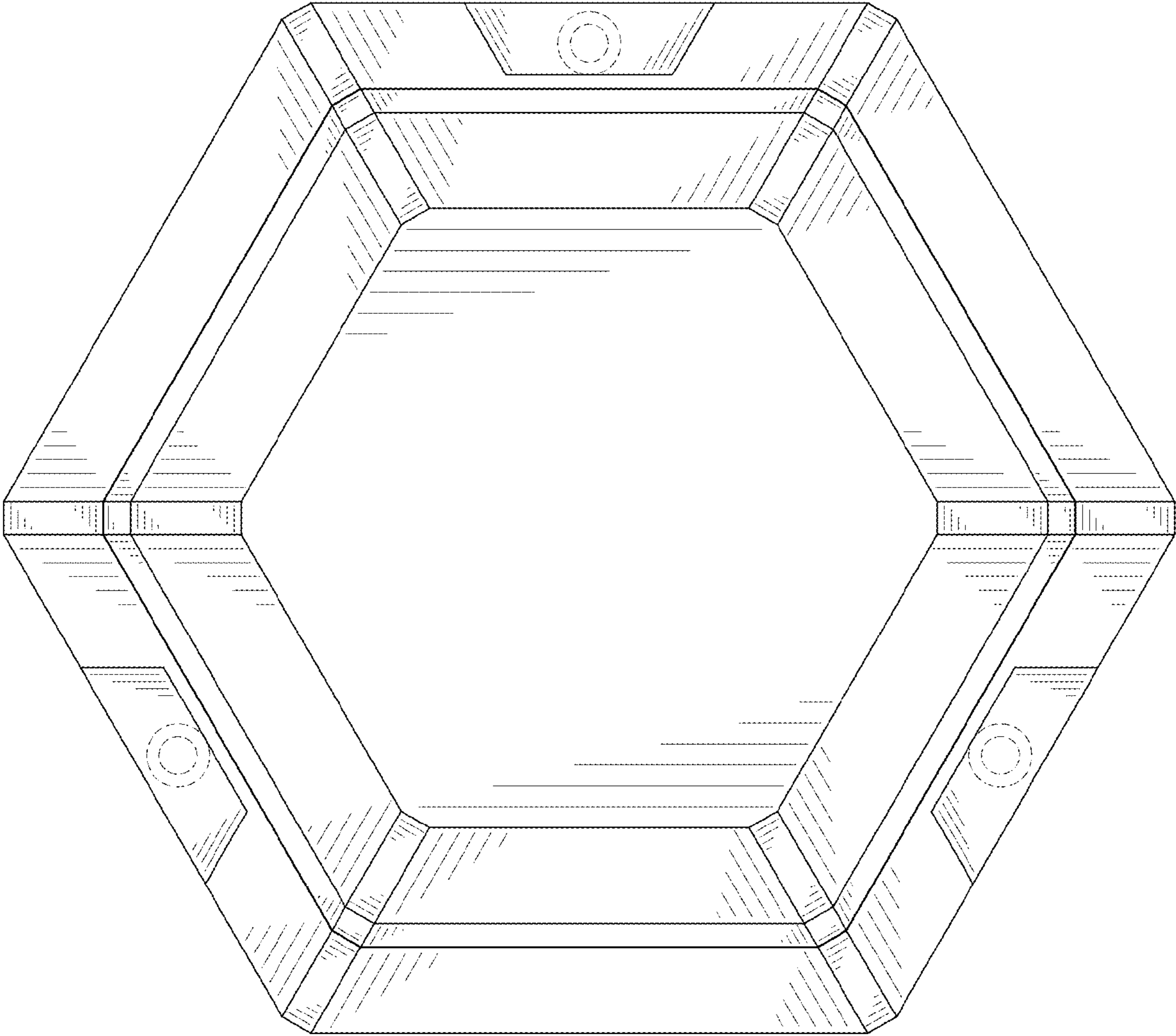


FIG. 7

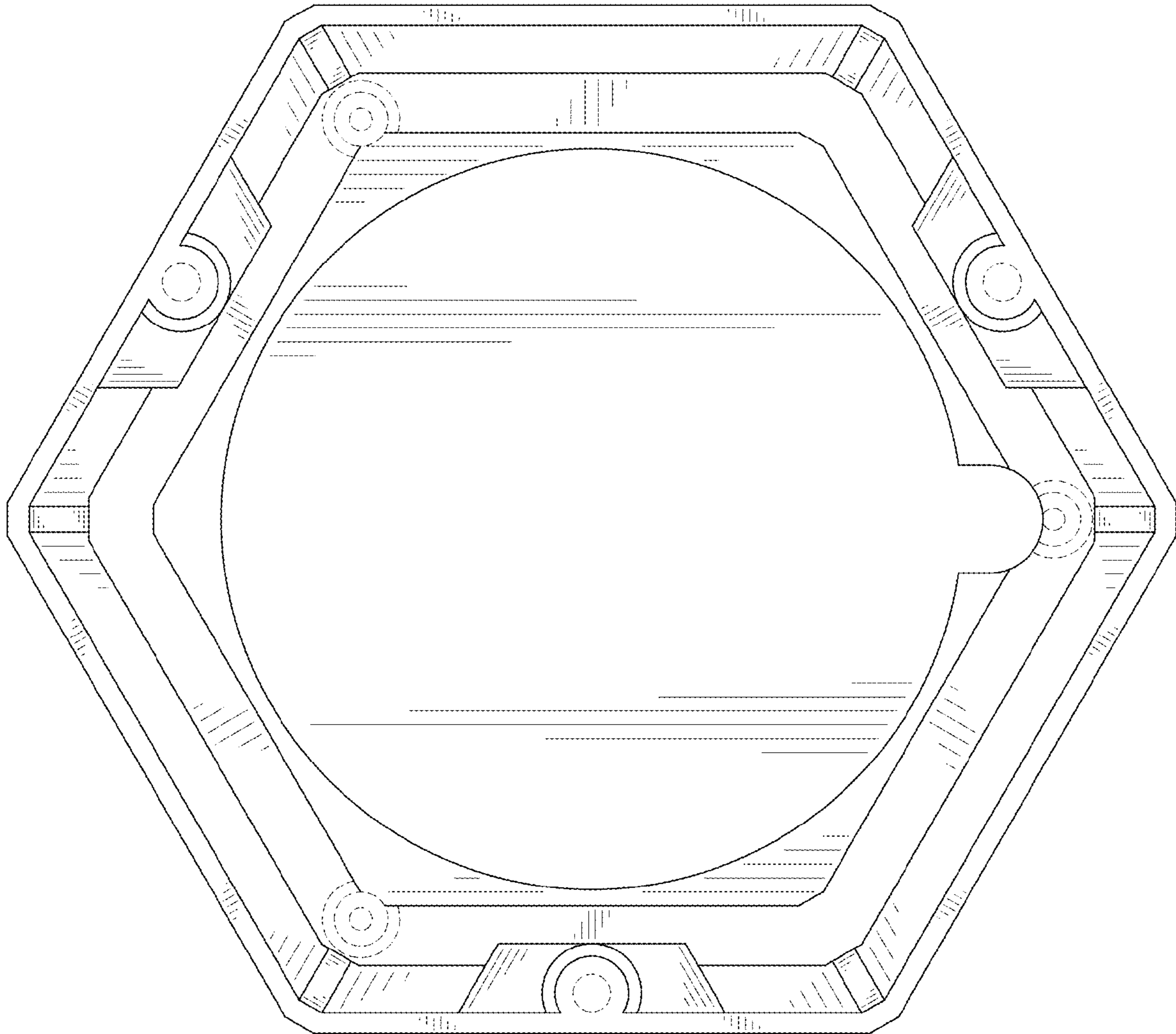


FIG. 8