



US00D974940S

(12) **United States Design Patent** (10) **Patent No.:** **US D974,940 S**
Hu (45) **Date of Patent:** **** Jan. 10, 2023**

(54) **SURVIVAL LIGHT**
(71) Applicant: **Peilin Hu**, Guangzhou (CN)
(72) Inventor: **Peilin Hu**, Guangzhou (CN)
(**) Term: **15 Years**

D906,845 S * 1/2021 Larsen D10/46
D911,311 S * 2/2021 Chan D14/218
D913,250 S * 3/2021 Takahashi D10/70
D921,567 S * 6/2021 Pearce D12/412
D927,401 S * 8/2021 Fang F21V 17/02
D12/413
D941,522 S * 1/2022 Castanet D27/185

(21) Appl. No.: **29/727,590**
(22) Filed: **Mar. 11, 2020**
(51) **LOC (14) Cl.** **10-05**
(52) **U.S. Cl.**
USPC **D10/114.2**
(58) **Field of Classification Search**
USPC D10/104.1, 106.1–106.5, 106.7–106.9,
D10/106.95, 109.1–109.2, 110, 111,
D10/114.1–114.8; D12/190, 401, 406,
D12/412, 414; D13/165; D16/202–203,
D16/214–215; D26/28, 35–36, 52, 72,
D26/102, 104, 118–119, 120, 122
CPC F21W 2102/00–40; F21W 2103/00–60;
A42B 3/0433; A42B 3/044
See application file for complete search history.

FOREIGN PATENT DOCUMENTS

CN 201930581925.3 * 5/2020
GB 6024377 * 12/2017
TW 93303464 * 11/2005

OTHER PUBLICATIONS

Opsmen, Opsmen “Stealth” Survival Light, Facebook.com, Nov. 19, 2019. Retrieved from the internet on Jun. 15, 2022 <URL: <https://www.facebook.com/opsmenofficial/photos/2500461920009751/>> (Year: 2019).*

(Continued)

Primary Examiner — Joseph Kukella
Assistant Examiner — Heather Ann Laaveg Wencil

(56) **References Cited**

U.S. PATENT DOCUMENTS

D257,586 S * 12/1980 Heenan D10/113.1
D290,945 S * 7/1987 Geisler D12/404
D435,125 S * 12/2000 Boessel D26/26
D616,009 S * 5/2010 Schnell D16/218
D630,236 S * 1/2011 Lian D16/203
D682,133 S * 5/2013 Chen D10/114.1
D741,817 S * 10/2015 Paredes D13/168
D741,818 S * 10/2015 Paredes D13/168
D818,329 S * 5/2018 Furling D8/29.1
D858,832 S * 9/2019 Dorman F21V 17/02
D26/37
D861,693 S * 10/2019 Ranade D14/432
D883,544 S * 5/2020 Proeber D26/42
D888,059 S * 6/2020 Ranade D14/344
D890,962 S * 7/2020 Hoffner D26/28

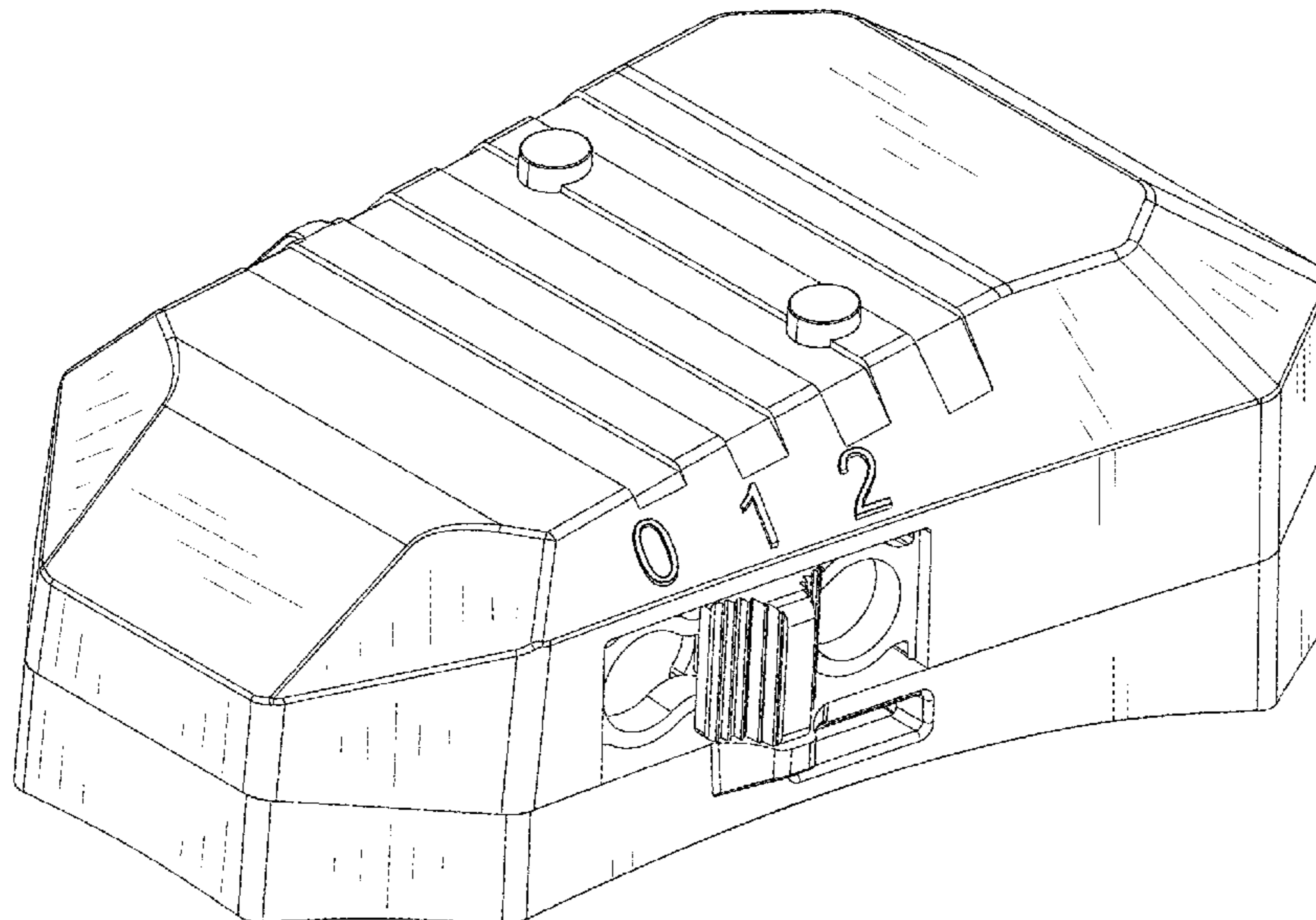
(57) **CLAIM**

The ornamental design for a survival light, as shown and described.

DESCRIPTION

FIG. 1 is a front, top perspective view of the survival light showing my new design;
FIG. 2 is a rear perspective view thereof;
FIG. 3 is a front elevational view thereof;
FIG. 4 is a rear elevational view thereof;
FIG. 5 is a left side elevational view thereof;
FIG. 6 is a right side elevational view thereof;
FIG. 7 is a top plan view thereof; and,
FIG. 8 is a bottom plan view thereof.

1 Claim, 8 Drawing Sheets



(56)

References Cited

OTHER PUBLICATIONS

Opsmen, Opsmen F101 Survival Light, Facebook.com, Jan. 13, 2020. Retrieved from the internet on Jun. 6, 2022 <URL: <https://www.facebook.com/opsmenofficial/videos/f101-survival-light-go-on-sale/2630744587161623/>> (Year: 2020).*

* cited by examiner

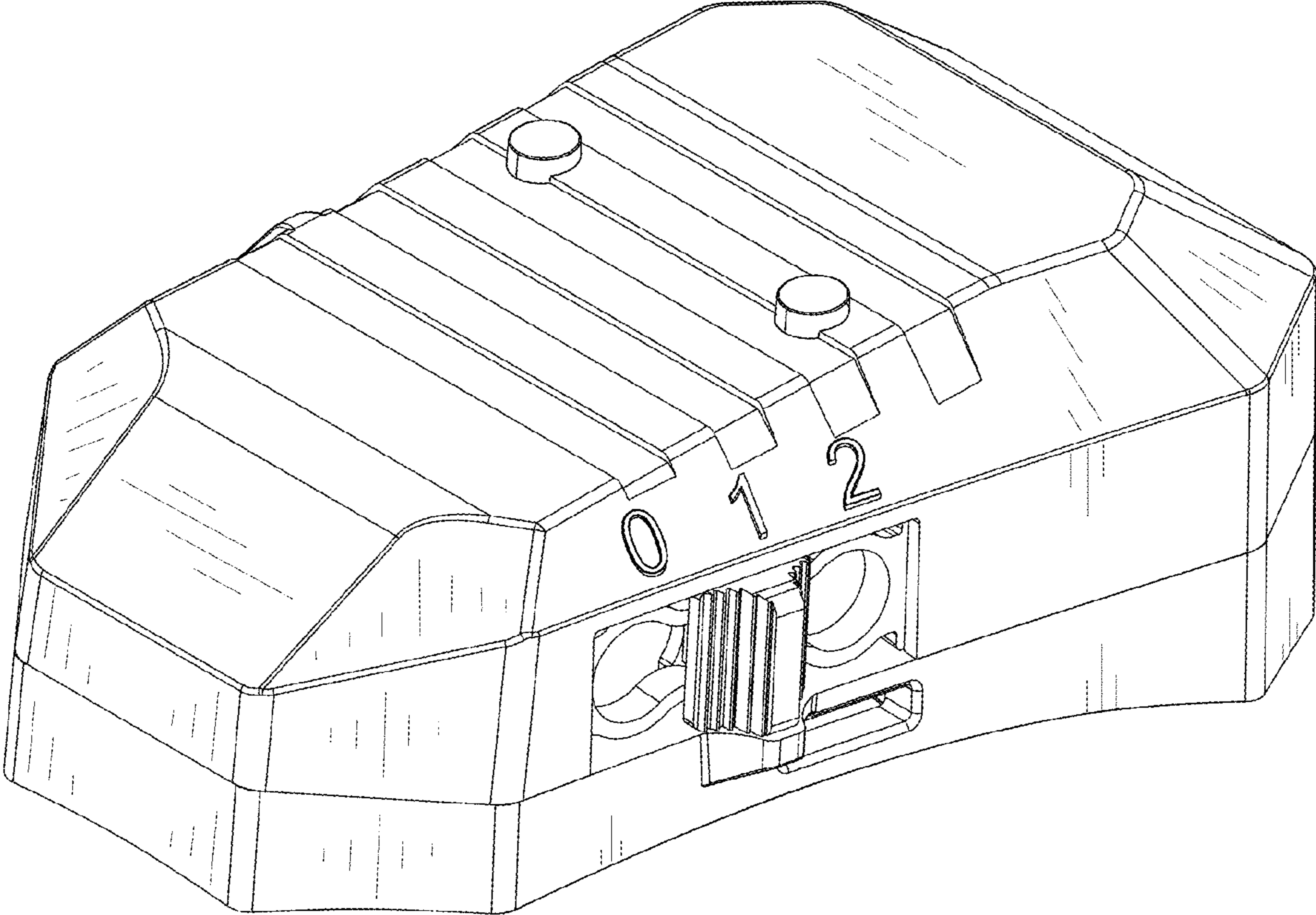


FIG. 1

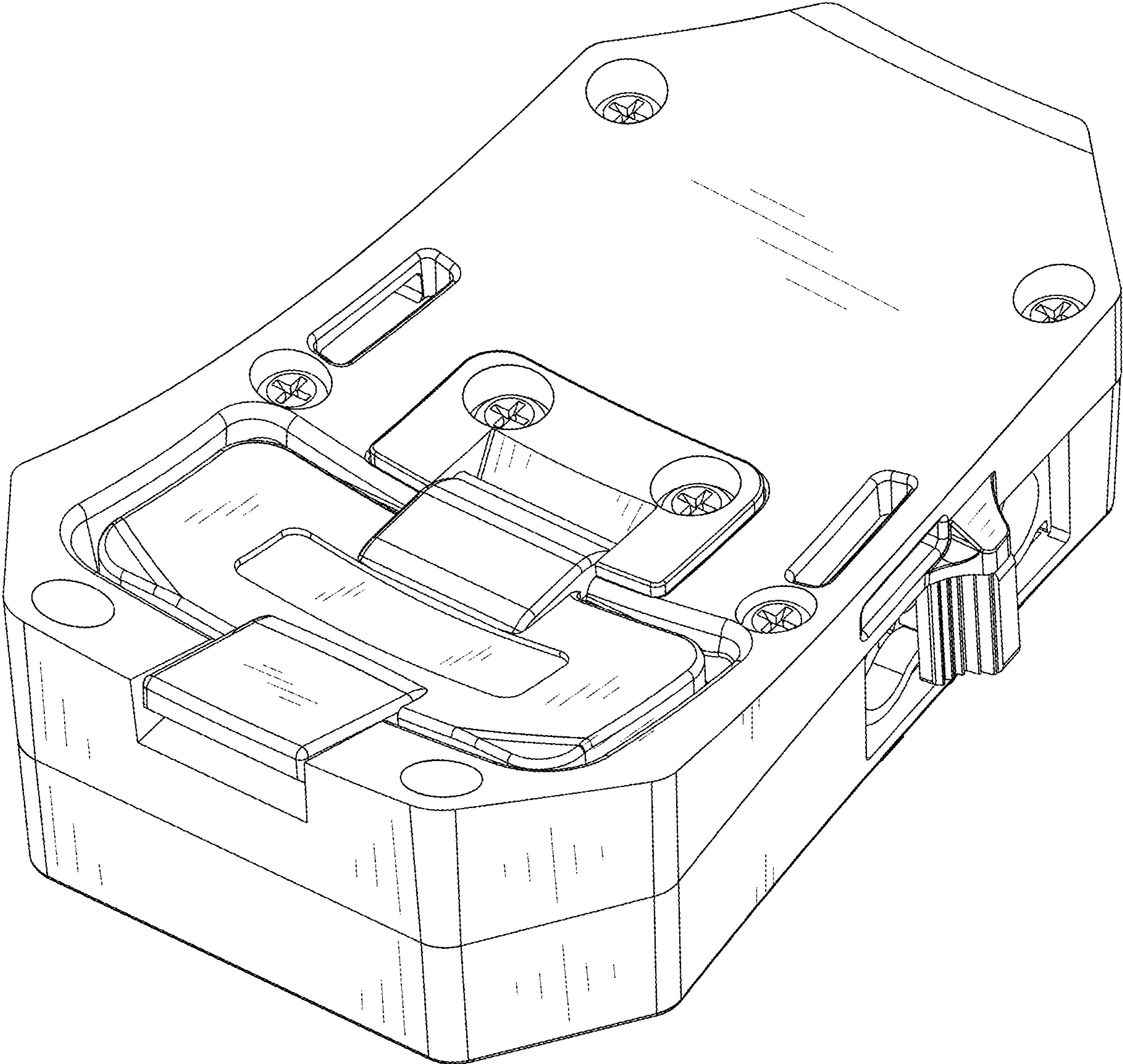


FIG. 2

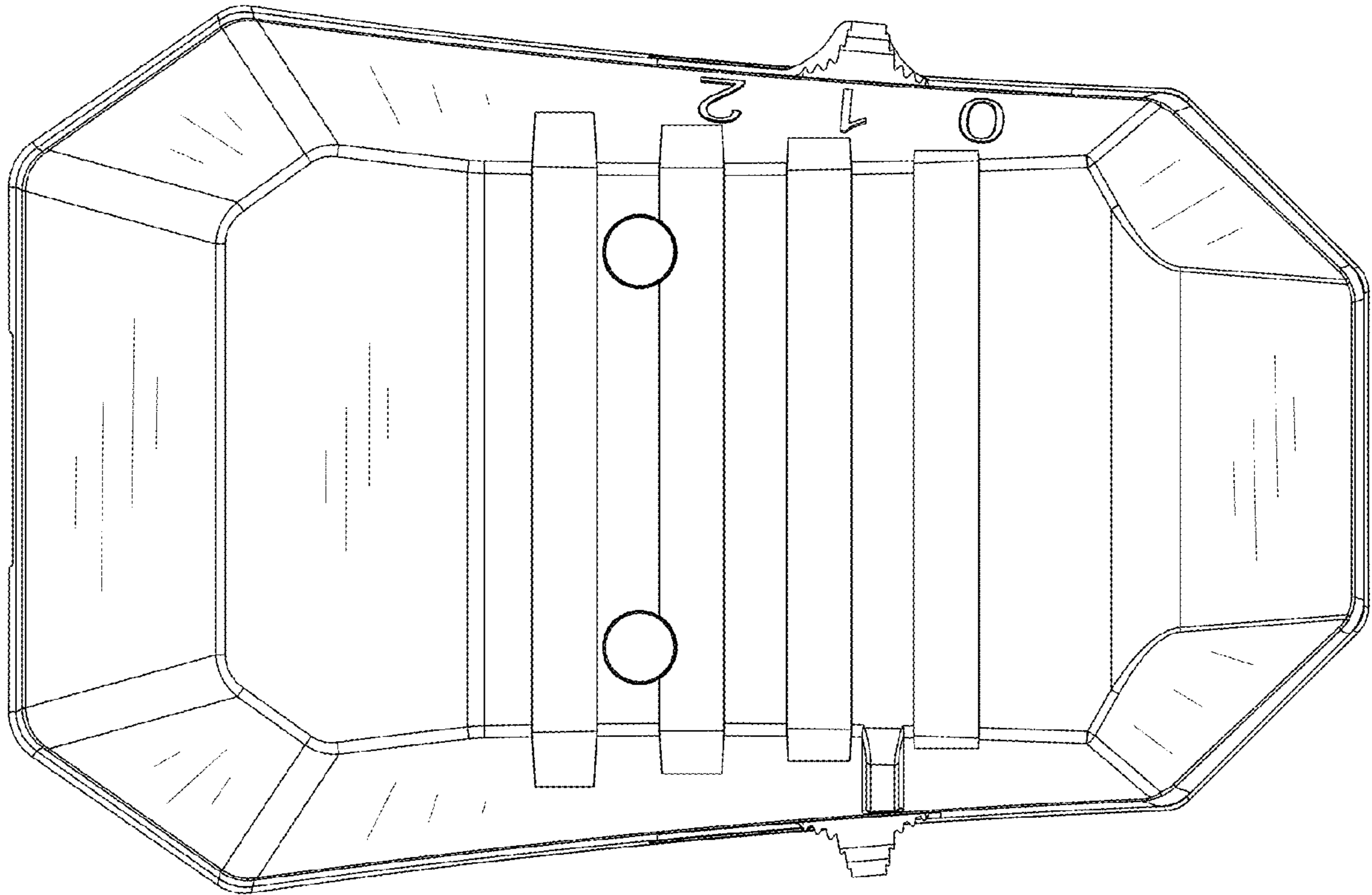


FIG. 3

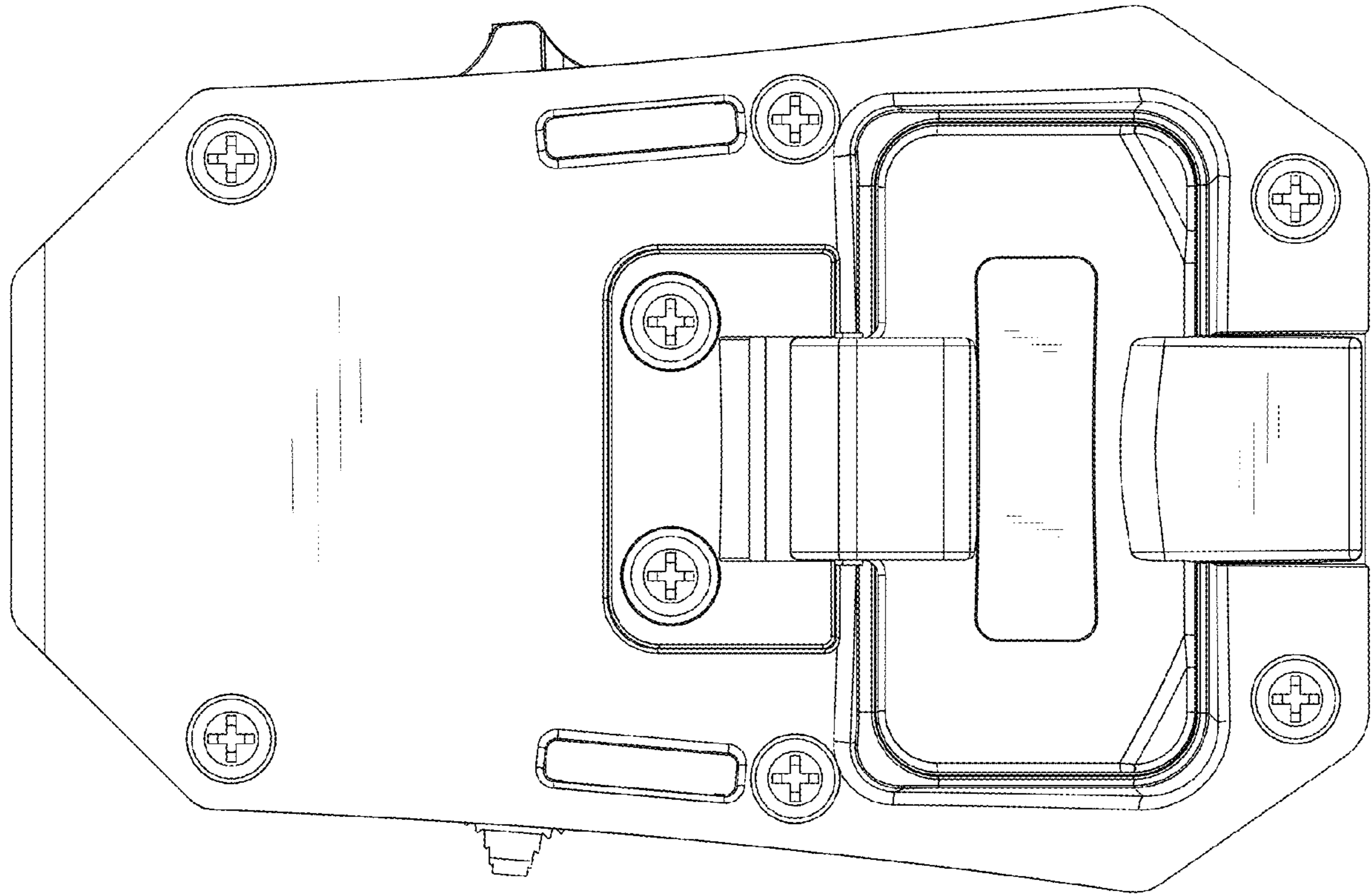


FIG. 4

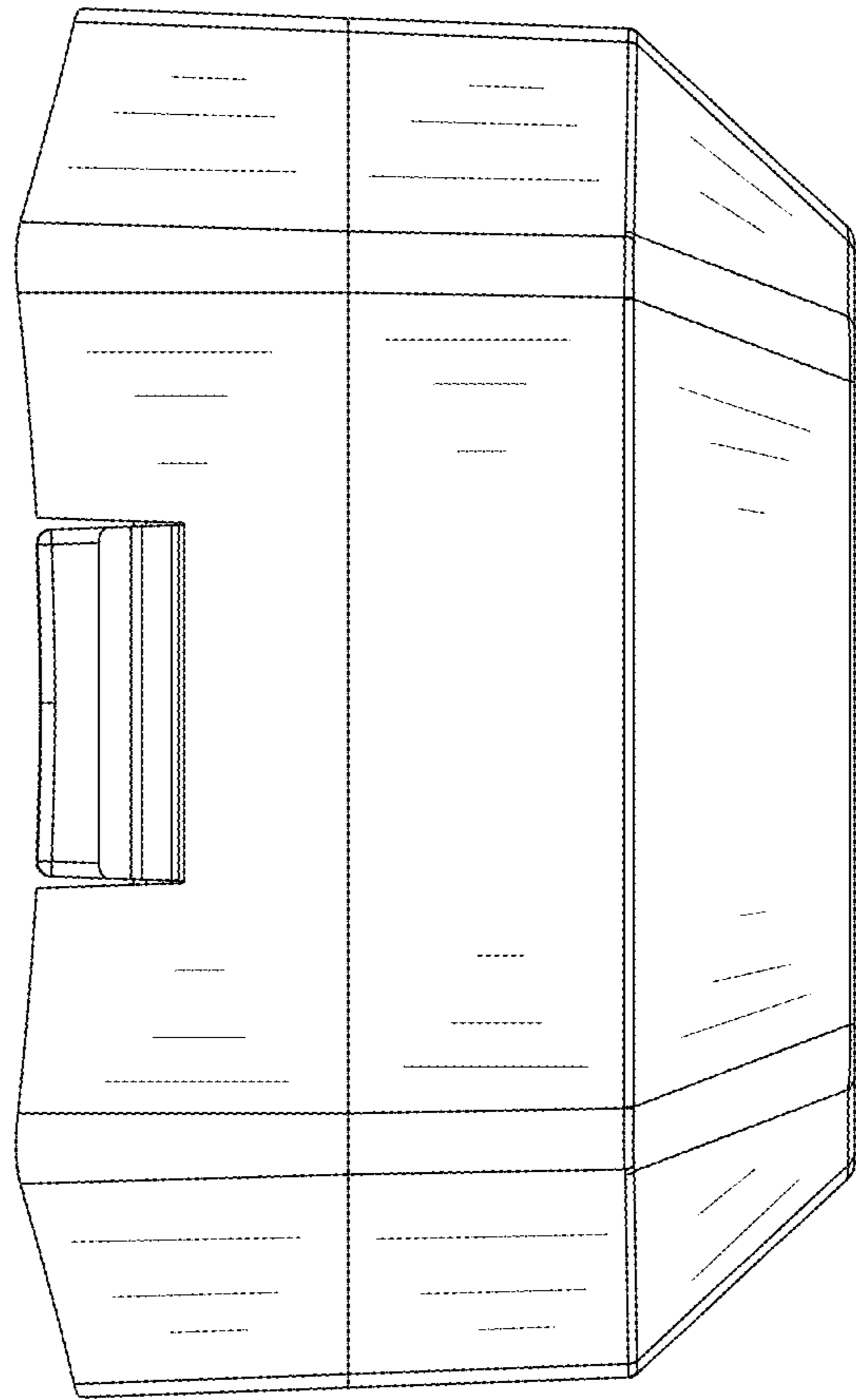


FIG. 5

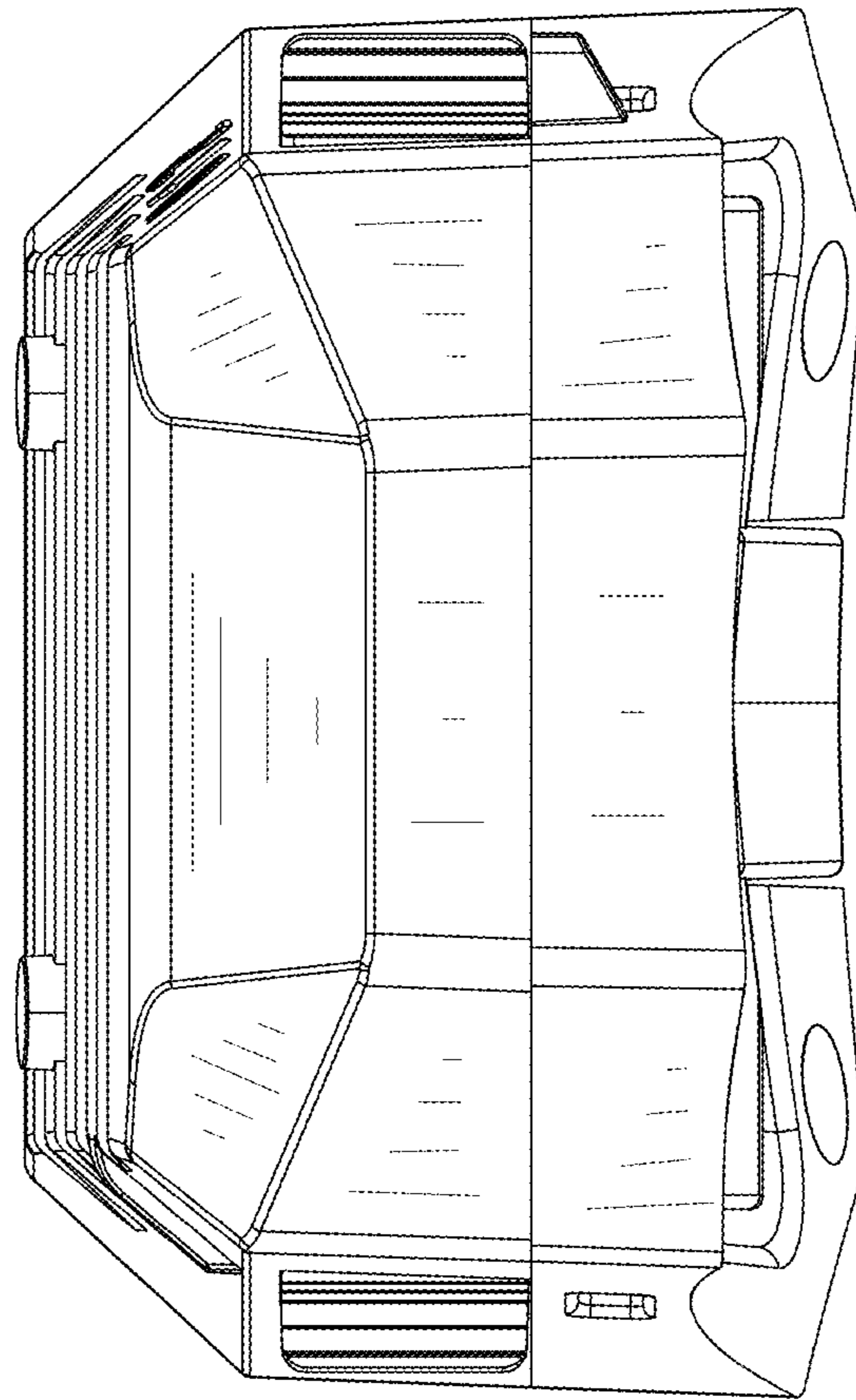


FIG. 6

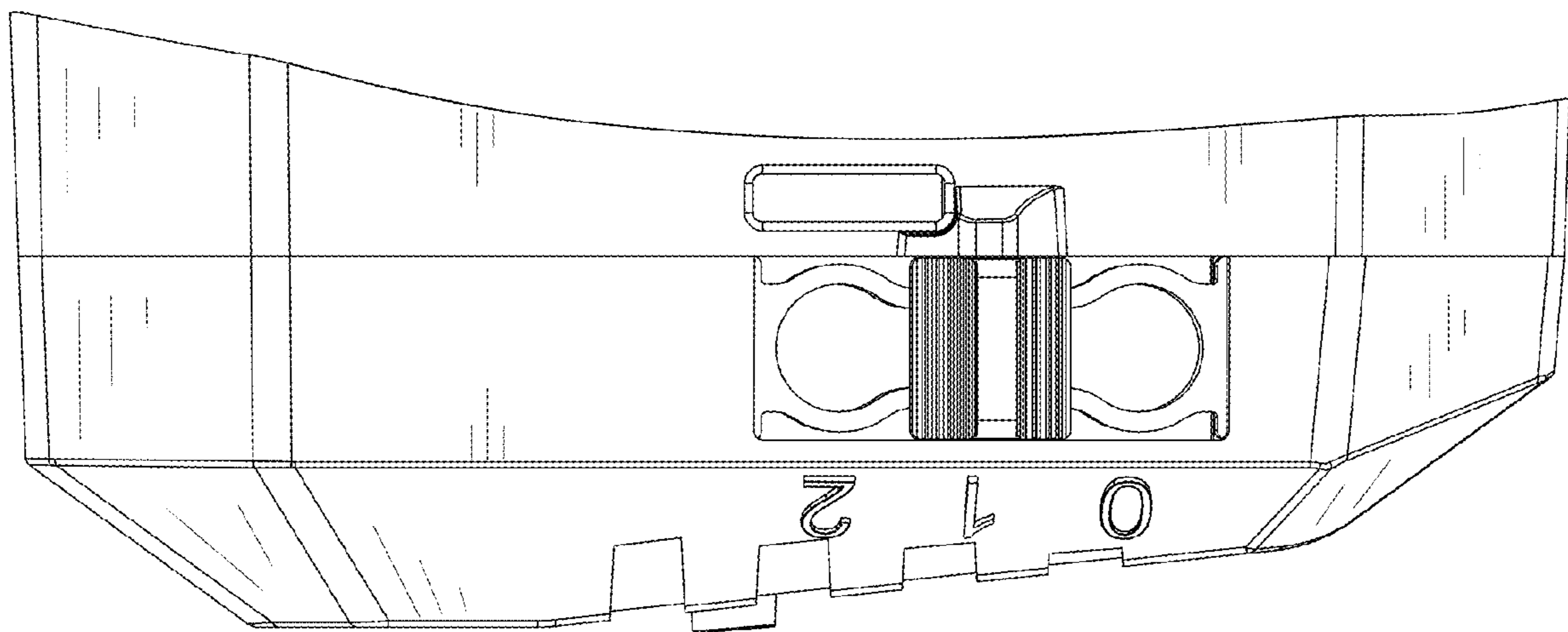


FIG. 7

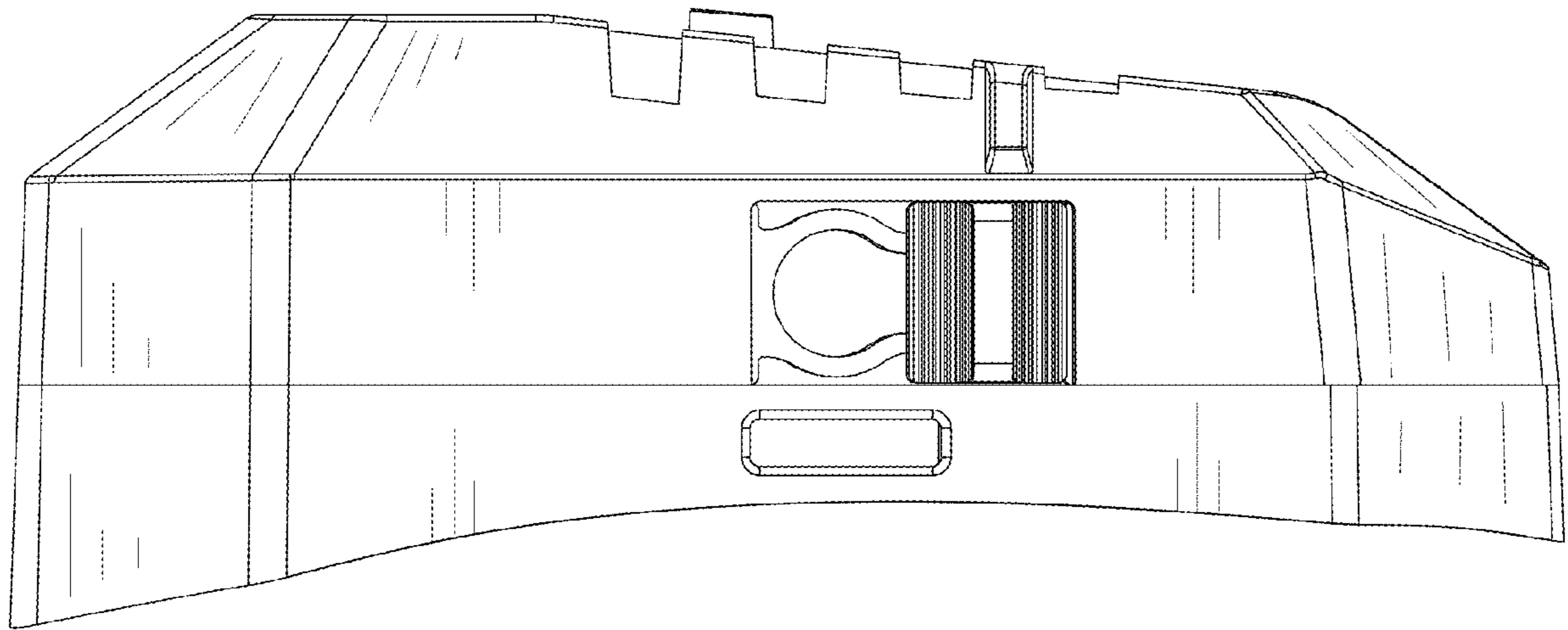


FIG. 8